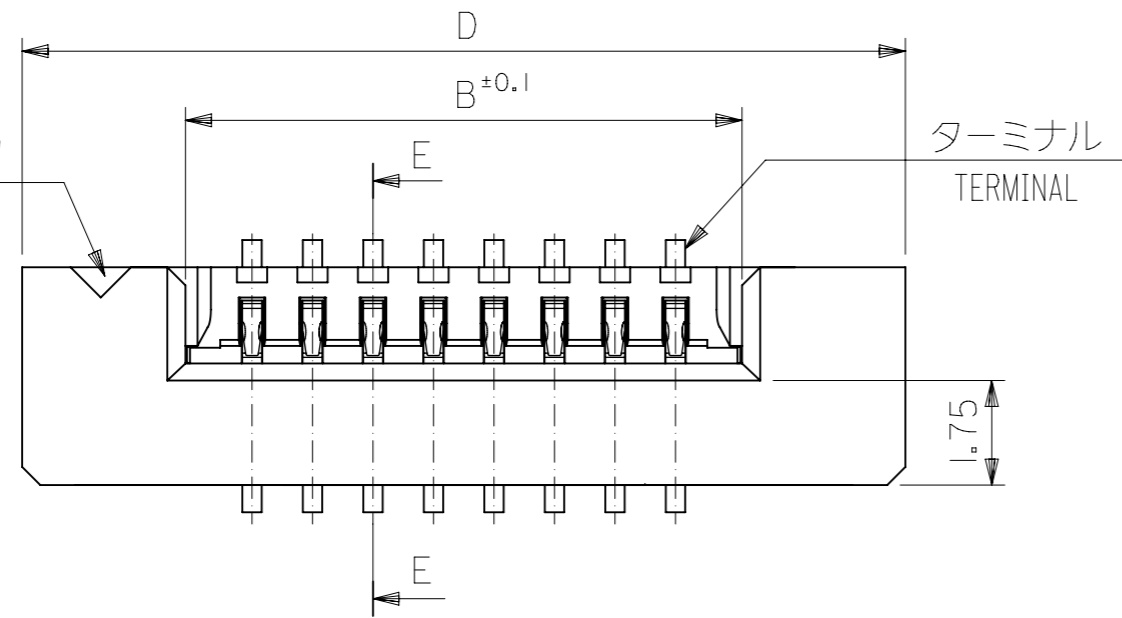
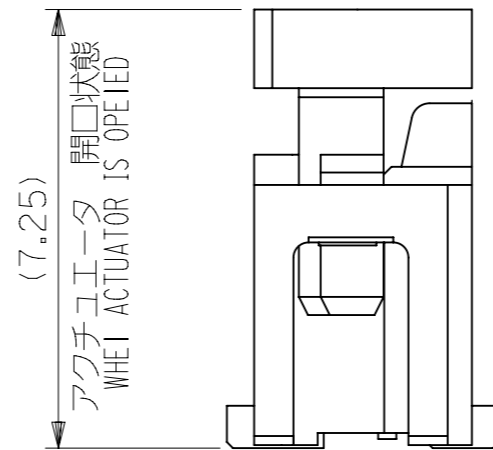


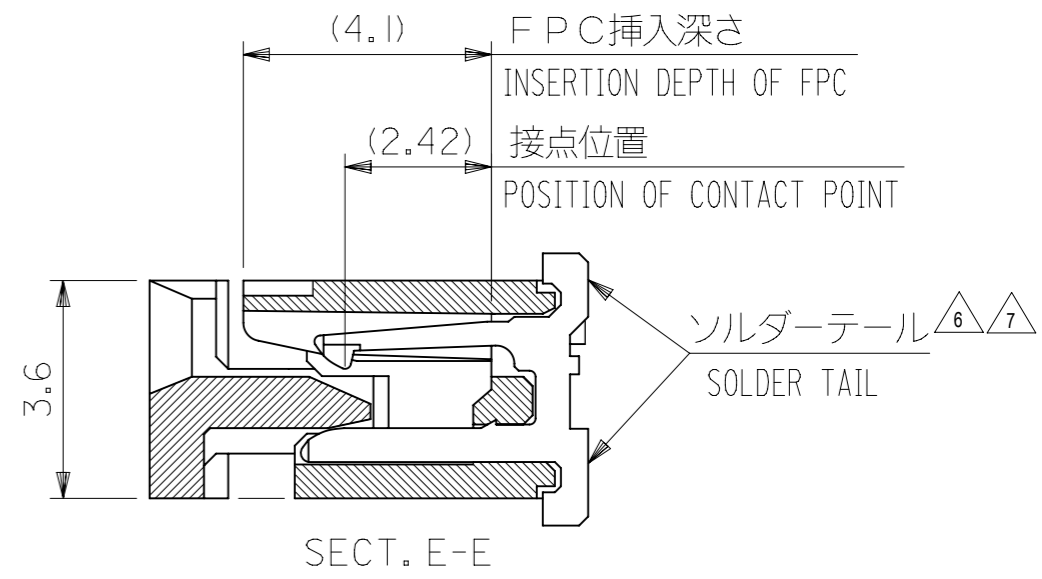
回路番号1マーク
CIRCUIT NO. 1 MARK



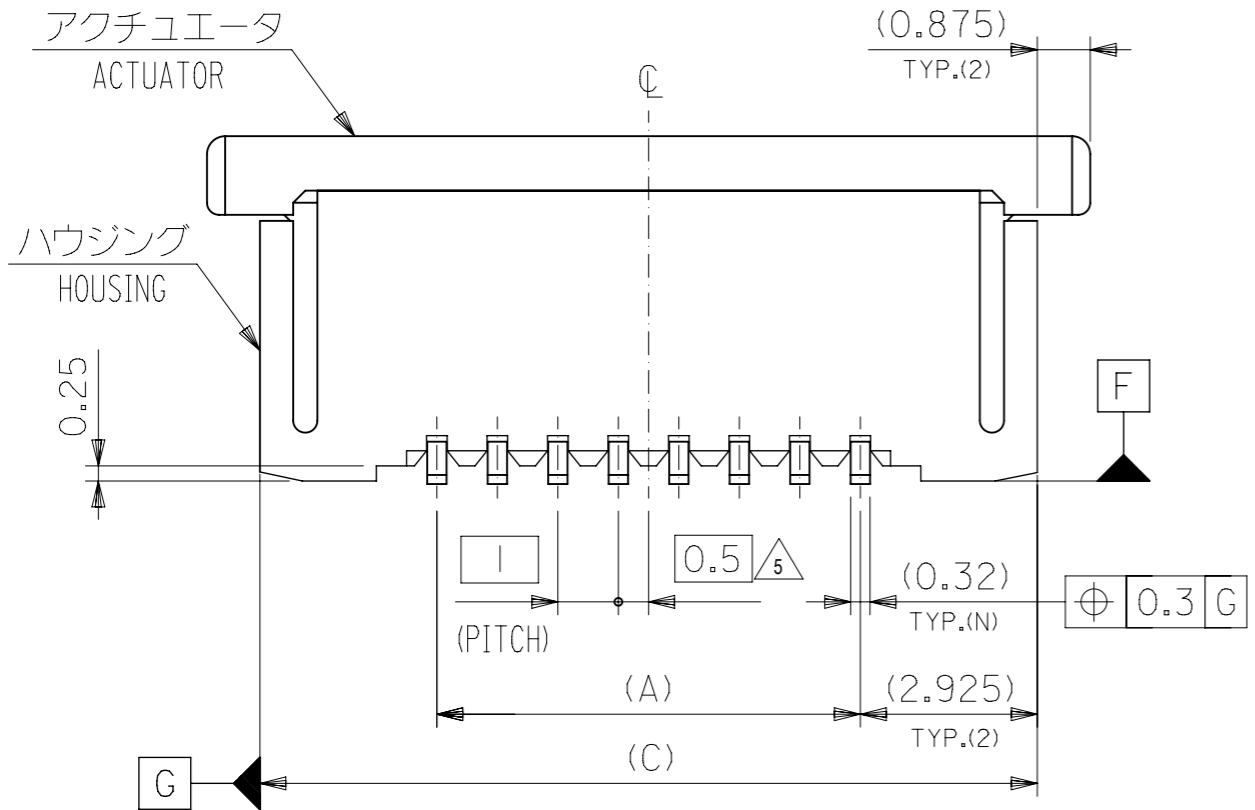
ターミナル
TERMINAL



アクチュエータ 開口状態
WHEI ACTUATOR IS OPEIED



SECT. E-E



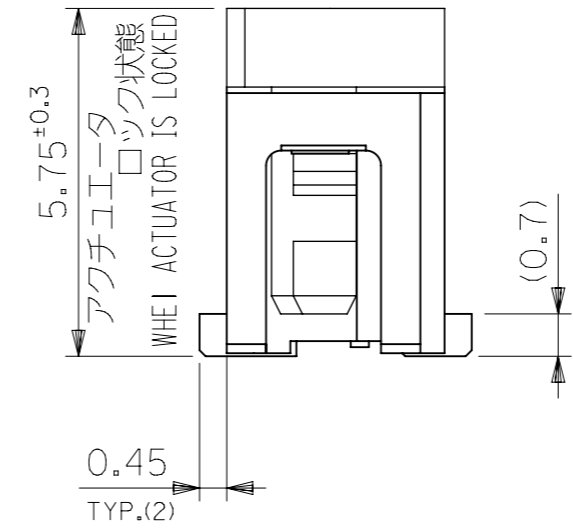
アクチュエータ
ACTUATOR

ハウジング
HOUSING

(0.875)
TYP.(2)

0.25

(PITCH) 0.5 (A) (0.32) TYP.(N) (2.925) TYP.(2) (C) $\phi 0.3 G$



アクチュエータ ロック状態
WHEI ACTUATOR IS LOCKED

0.45
TYP.(2)

36.6	34.85	31.2	29	52610-3033	30
34.6	32.85	29.2	27	52610-2833	28
32.6	30.85	27.2	25	52610-2633	26
31.6	29.85	26.2	24	52610-2533	25
30.6	28.85	25.2	23	52610-2433	24
29.6	27.85	24.2	22	52610-2333	23
28.6	26.85	23.2	21	52610-2233	22
27.6	25.85	22.2	20	52610-2133	21
26.6	24.85	21.2	19	52610-2033	20
25.6	23.85	20.2	18	52610-1933	19
24.6	22.85	19.2	17	52610-1833	18
23.6	21.85	18.2	16	52610-1733	17
22.6	20.85	17.2	15	52610-1633	16
21.6	19.85	16.2	14	52610-1533	15
20.6	18.85	15.2	13	52610-1433	14
19.6	17.85	14.2	12	52610-1333	13
18.6	16.85	13.2	11	52610-1233	12
17.6	15.85	12.2	10	52610-1133	11
16.6	14.85	11.2	9	52610-1033	10
15.6	13.85	10.2	8	52610-0933	9
14.6	12.85	9.2	7	52610-0833	8
13.6	11.85	8.2	6	52610-0733	7
12.6	10.85	7.2	5	52610-0633	6
11.6	9.85	6.2	4	52610-0533	5
D	(C)	B	(A)	EMBOSSED PACKAGE ORDER NO. オーダー番号	極数 CKT.

CONNECTOR SERIES NO.: 52610-**22

GENERAL TOLERANCES (UNLESS SPECIFIED)	
10 UNDER	± 0.2
10 OVER 30 UNDER	± 0.25
30 OVER	± 0.3
ANGULAR ± 3 °	
DRAFT WHERE APPLICABLE MUST REMAIN WITHIN DIMENSIONS	

THIS DRAWING CONTAINS INFORMATION THAT IS PROPRIETARY TO MOLEX ELECTRONIC TECHNOLOGIES, LLC AND SHOULD NOT BE USED WITHOUT WRITTEN PERMISSION	
DIMENSION UNITS	SCALE
mm	8:1
CURRENT REV DESC: REVISED	
GENERAL TOLERANCES (UNLESS SPECIFIED)	
ANGULAR TOL	± 3.0 °
4 PLACES	± 0.2
3 PLACES	± 0.25
2 PLACES	± 0.3
1 PLACE	±
0 PLACES	±
DRAFT WHERE APPLICABLE MUST REMAIN WITHIN DIMENSIONS	
THIRD ANGLE PROJECTION	DRAWING
	A3-SIZE
SERIES	52610
EC NO:	600129
DRWN:	YCHEN128 2018/04/11
CHK'D:	KTAKAHASHI 2018/04/12
APPR:	NUKITA 2018/04/13
INITIAL REVISION:	
DRWN:	NASANUMA 2012/09/12
APPR:	KMORIKAWA 2013/03/15

molex

1.0 FPC CONN ZIF S/T HOUSING ASSY

PRODUCT CUSTOMER DRAWING

DOCUMENT NUMBER: SD-52610-048

DOC TYPE: PSD

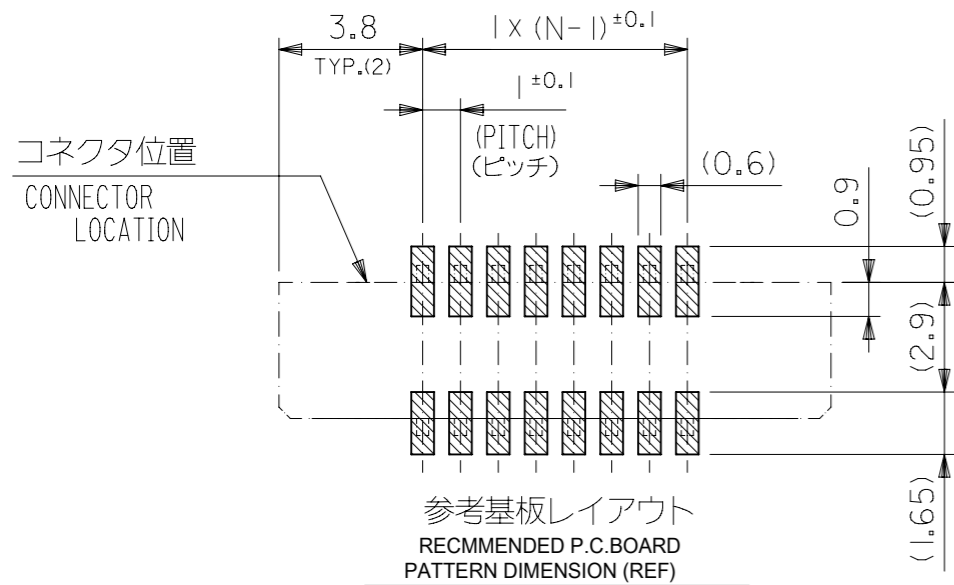
DOC PART: 001

REVISION: C

MATERIAL NUMBER: SEE TABLE

CUSTOMER: GENERAL MARKET

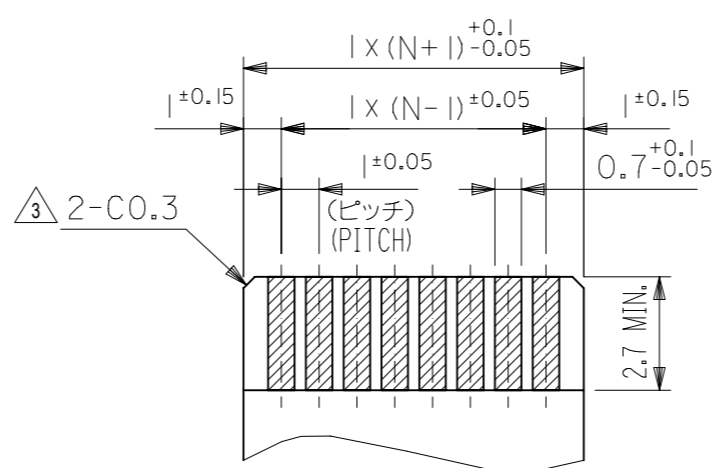
SHEET NUMBER: 1 OF 2



参考基板レイアウト
RECOMMENDED P.C.BOARD
PATTERN DIMENSION (REF)

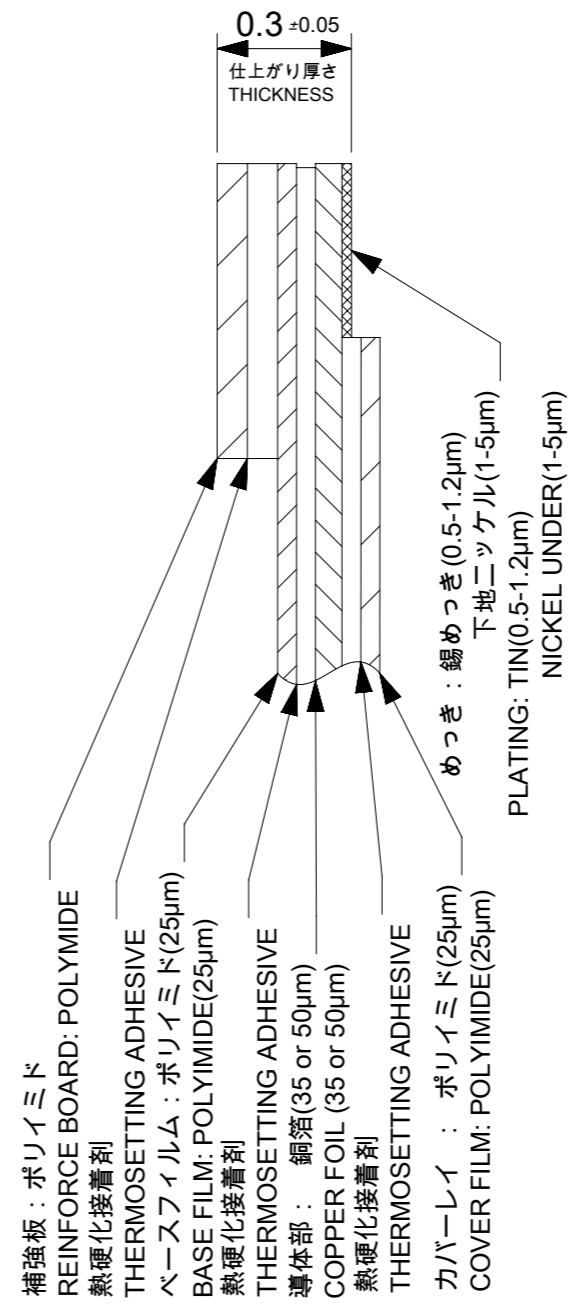
(マウント面)
(MOUNTING SIDE)

マスク厚 : 120μm
マスク開口率 : 100%
SCREEN THICKNESS : 120 MICROMETER
SCREEN OPEN RATIO : 100%

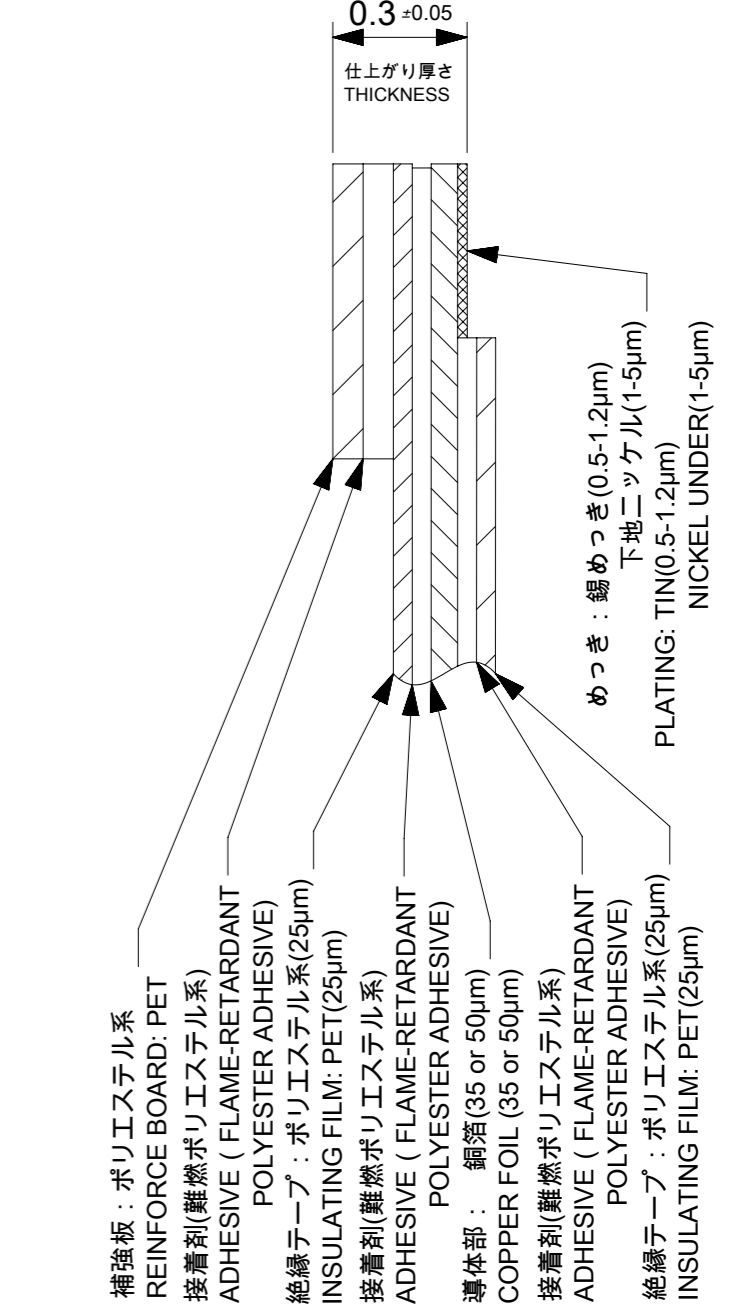


適合FPC/FFC推奨寸法
APPLICABLE FPC
RECOMMENDED DIMENSION

(仕上がり厚さ : 0.3±0.05)
(THICKNESS: 0.3±0.05)



FPC構成推奨仕様
RECOMMENDED STRUCTURE OF FPC



FFC構成推奨仕様
RECOMMENDED STRUCTURE OF FFC

注記 (NOTES):

- 材質 MATERIAL
ハウジング: ポリアミド(PA), ナチュラル(白色), ガラス充填, UL94V-0
HOUSING: POLYAMIDE, NATURAL(WHITE), GLASS FILLED, UL94V-0
アクチュエータ: ポリフェニレンサルファイドPPS, ナチュラル(茶色), ガラス充填, UL94-V0
ACTUATOR: POLYPHENYLENE SULFIDE, NATURAL(BROWN), GLASS FILLED, UL94V-0
ターミナル: リン青銅 (t=0.32)
TERMINAL: PHOSPHOR BRONZE (t=0.32)
- めっき仕様 PLATING
ターミナル TERMINAL
錫銀ビスマスめっき (1.0μm以上)
TIN SILVER BISMUTH PLATING (1.0 MICROMETER MINIMUM)
下地: ニッケルめっき (1.0μm以上)
UNDER PLATE: NICKEL PLATING (1.0 MICROMETER MINIMUM)
- R0.3はFPCの導体部にかからないこと
R0.3 MUST NOT BE OVERLAPED TO PATTERN OF FPC.
- エンボステーブ梱包時は、アクチュエータがロックした状態とする。
IN THE PACKAGE, ACTUATOR SHOULD BE LOCKED.
- 偶数極に適用。
APPLY FOR EVEN CIRCUIT.
- ソルダーテール半田付け面のズレ量は、基準面Fに対し、上方向0.05MAX、下方向0.15MAXとする。
MISALIGNMENT OF SOLDER TAILS FROM F UPPER DIRECTION 0.05 MAX., LOWER DIRECTION 0.15 MAX.
- ソルダーテールの平坦度は0.1mm以下とする。
SOLDERTAIL COPLANARITY IS 0.1MM MAXIMUM.
- ELV及びRoHS適合品
ELV AND RoHS COMPLIANT

FPC/FFCについて:
抜き方向は、導体側から補強板側を推奨致します。
尚、接着剤の接点部への付着は導通不良の原因になりますので、
染み出しが無い様お願い致します。

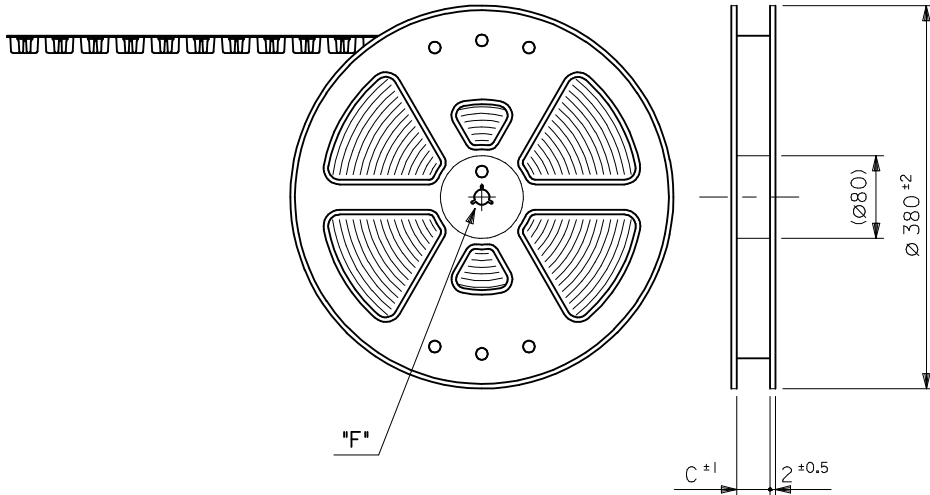
ABOUT FPC/FFC:
RECOMMENDED PUNCHER DIRECTION:
FROM CONDUCTOR SIDE TO STIFFNER SIDE
PLEASE PUT APPROPRIATE AMOUNT OF ADHESIVE ON ADHEREND
BECAUSE THERE IS A POSSIBILITY THAT THE EXTRA ADHESIVE
CAUSES THE DEFECT IN ELECTRICAL CONTINUITY.

GENERAL TOLERANCES (UNLESS SPECIFIED)		DIMENSION UNITS: mm		SCALE: 5:1		CURRENT REV DESC: REVISED							
10 UNDER	± 0.2	GENERAL TOLERANCES (UNLESS SPECIFIED)		EC NO: 600129		DRWN: YCHEN128 2018/04/11						1.0 FPC CONN ZIF S/T HOUSING ASSY	
10 OVER 30 UNDER	± 0.25	ANGULAR TOL ± 30°		4 PLACES ± 0.2		CHK'D: KTAKAHASHI 2018/04/12		PRODUCT CUSTOMER DRAWING					
30 OVER	± 0.3	3 PLACES ± 0.25		2 PLACES ± 0.3		APPR: NUKITA 2018/04/13		DOCUMENT NUMBER: SD-52610-048					
ANGULAR ± 3°		1 PLACE ±		0 PLACES ±		INITIAL REVISION:		DOC TYPE: PSD		DOC PART: 001		REVISION: C	
DRAFT WHERE APPLICABLE MUST REMAIN WITHIN DIMENSIONS		DRAFT WHERE APPLICABLE MUST REMAIN WITHIN DIMENSIONS		THIRD ANGLE PROJECTION		DRAWING: A3-SIZE		SERIES: 52610		MATERIAL NUMBER: SEE TABLE		CUSTOMER: GENERAL MARKET	
DOCUMENT STATUS: P1		RELEASE DATE: 2018/04/13		03:51:01								SHEET NUMBER: 2 OF 2	

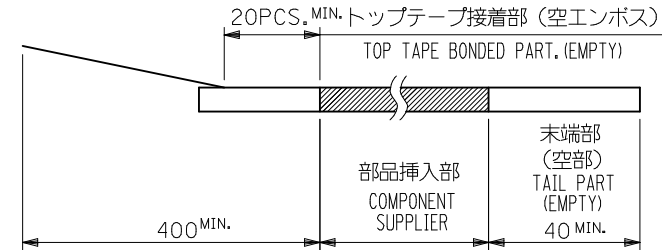
NOTES

- 52610-***22のアクチュエータはハウジング内に押し下げた状態とする。
詳細寸法については図面SD-52610-048をご参照ください。
ACTUATOR OF PART NO. 52610-***22 SHULD BE LOCKED.
RE DETAILED DIMENSIONS, SEE SD-52610-048
- 梱包数量：1000個/リール
NUMBER OF CONNECTORS : 1000PCS/REEL
- リードテープ長さ
LEAD TAPE LENGTH

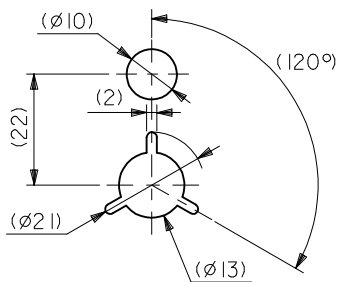
引き出し方向
PULL OUT
DIRECTION



引き出し方向
PULL OUT
DIRECTION

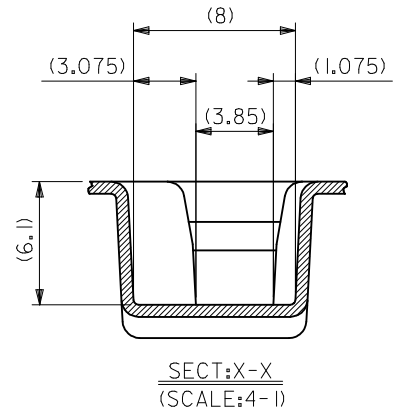
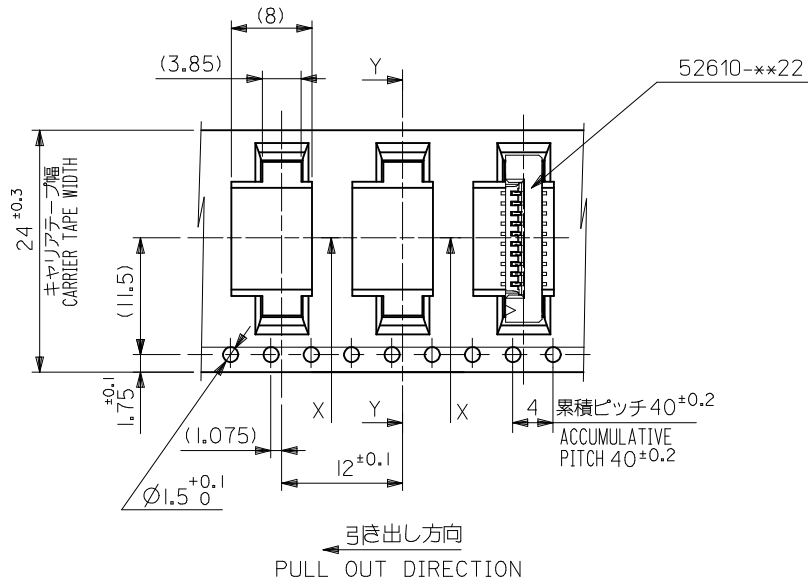
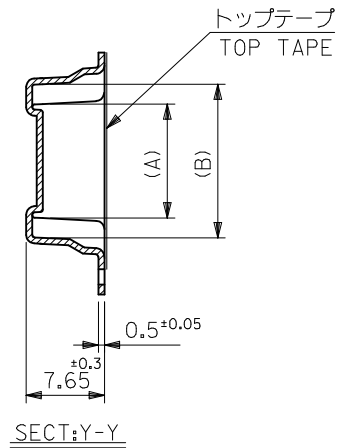


- カバーテープの剥離強度については、IEC60286-3に準拠
COVER TAPE PEEL FORCE IS DEFINED BY IEC60286-3.
- 材料(MATERIAL)
キャリアテープ (CARRIER TAPE) : ポリプロピレン (POLYPROPYLENE)
トップテープ (TOP TAPE) : PET, PE, PEF
リール(REEL) : ポリスチレン(PS) <リサイクル材を含む>
POLYSTYREN(PS) <RECYCLE MATERIAL CONTAINED>
- ELV及びRoHS適合品
ELV AND RoHS COMPLIANT



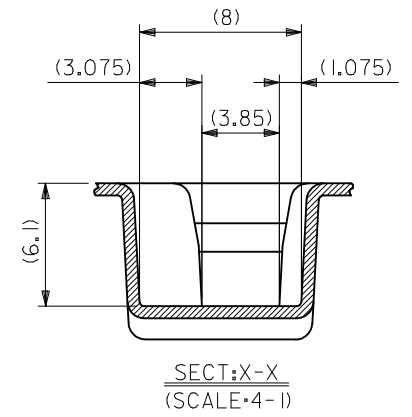
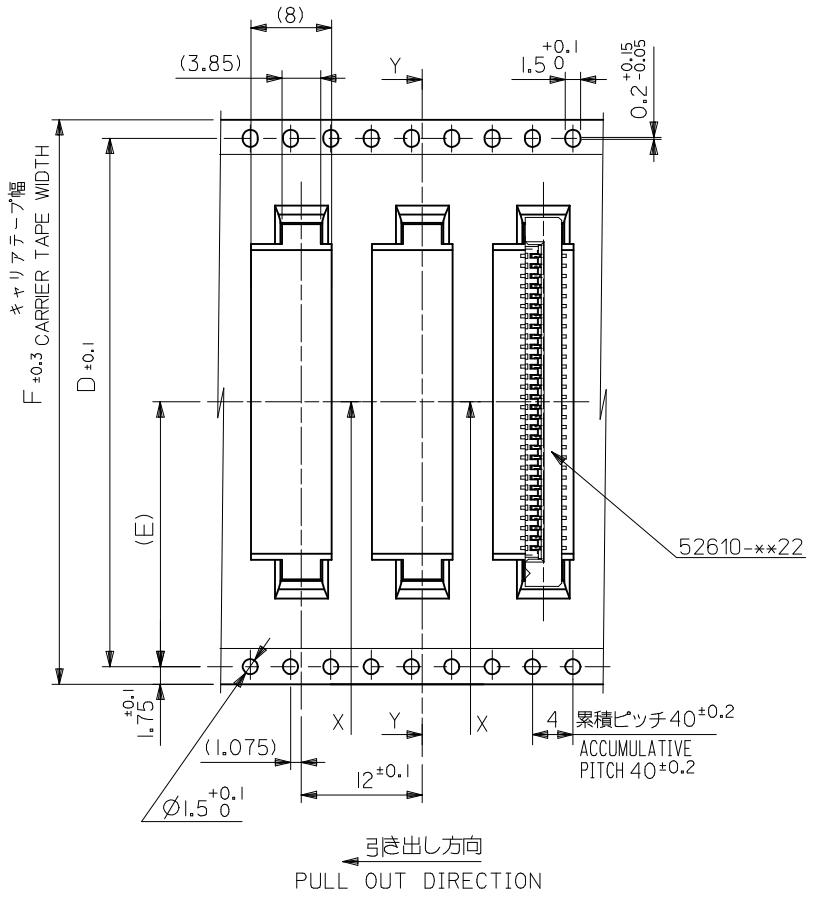
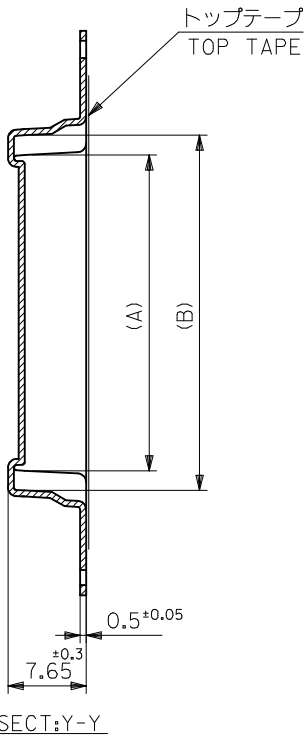
DETAIL "F"

REVISED EC NO: J2014-0352 DRWN:NASUNUMA 2013/08/26 CHK'D:KAKAHASHI 2013/08/27 APPR:YNOGAWA 2013/08/30	GENERAL TOLERANCES (UNLESS SPECIFIED)		DIMENSION STYLE MM ONLY		SCALE ---	DESIGN UNITS METRIC	THIRD ANGLE PROJECTION
	10 UNDER	± ---	DRAWN BY NASUNUMA	DATE 2012/09/05	TITLE EMBOSS TAPE PACKAGED FOR 1.0 FPC CONN ZIF S/T HOUSING ASSY		
	10 OVER 30 UNDER	± ---	CHECKED BY KAKAHASHI	DATE 2012/09/05			
	30 OVER	± ---	APPROVED BY KMORIKAWA	DATE 2013/03/15			
ANGULAR ± --- °		MATERIAL NO. SEE CHART		DOCUMENT NO. SD-52610-049		SHEET NO. 1 OF 3	
DRAFT WHERE APPLICABLE MUST REMAIN WITHIN DIMENSIONS		THIS DRAWING CONTAINS INFORMATION THAT IS PROPRIETARY TO MOLEX INCORPORATED AND SHOULD NOT BE USED WITHOUT WRITTEN PERMISSION					



24	11.5	25.5	15.25	11.32	52610-1033	10
			14.25	10.32	52610-0933	9
			13.25	9.32	52610-0833	8
			12.25	8.32	52610-0733	7
			11.25	7.32	52610-0633	6
			10.25	6.32	52610-0533	5
F	(E)	C	(B)	(A)	ENG. NO.	種数 CKT.

SEE SHEET 1 OF 3 EC NO: J2014-0352 DRWN:NASANUMA 2013/08/26 CHKD:KTAKAHASHI 2013/08/27 APPR:YNOGAWA 2013/08/30	DESCRIPTION REV	GENERAL TOLERANCES (UNLESS SPECIFIED)		DIMENSION STYLE MM ONLY		SCALE ---	DESIGN UNITS METRIC	THIRD ANGLE PROJECTION		
		10 UNDER	± ---	DRAWN BY NASANUMA	DATE 2012/09/05	TITLE EMBOSS TAPE PACKAGED FOR 1.0 FPC CONN ZIF S/T HOUSING ASSY				
		10 OVER 30 UNDER	± ---	CHECKED BY KTAKAHASHI	DATE 2012/09/05					
		30 OVER	± ---	APPROVED BY KMORIKAWA	DATE 2013/03/15					
A		ANGULAR ± --- °	DRAFT WHERE APPLICABLE MUST REMAIN WITHIN DIMENSIONS	MATERIAL NO. SEE CHART		DOCUMENT NO. SD-52610-049	SHEET NO. 2 OF 3			
THIS DRAWING CONTAINS INFORMATION THAT IS PROPRIETARY TO MOLEX INCORPORATED AND SHOULD NOT BE USED WITHOUT WRITTEN PERMISSION										



56	26.2	52.4	57.5	35.25	31.32	52610-3033	30
				33.25	29.32	52610-2833	28
44	20.2	40.4	46.5	31.25	27.32	52610-2633	26
				30.25	26.32	52610-2533	25
				29.25	25.32	52610-2433	24
				28.25	24.32	52610-2333	23
				27.25	23.32	52610-2233	22
				26.25	22.32	52610-2133	21
				25.25	21.32	52610-2033	20
				24.25	20.32	52610-1933	19
32	14.2	28.4	33.5	23.25	19.32	52610-1833	18
				22.25	18.32	52610-1733	17
				21.25	17.32	52610-1633	16
				20.25	16.32	52610-1533	15
				19.25	15.32	52610-1433	14
				18.25	14.32	52610-1333	13
				17.25	13.32	52610-1233	12
				16.25	12.32	52610-1133	11
F	(E)	D	C	(B)	(A)	ENG. NO.	極数 CKT.

SEE SHEET 1 OF 3 EC NO: J2014-0352 DRWN:NASUNUMA 2013/08/26 CHKD:KTAKAHASHI 2013/08/27 APPR:YNOGAWA 2013/08/30	DESCRIPTION REV A	GENERAL TOLERANCES (UNLESS SPECIFIED)		DIMENSION STYLE MM ONLY		SCALE ---	DESIGN UNITS METRIC	THIRD ANGLE PROJECTION	
		10 UNDER	± ---	DRAWN BY NASUNUMA	DATE 2012/09/05	TITLE EMBOSSSED TAPE PACKAGED FOR 1.0 FPC CONN ZIF S/T HOUSING ASSY molex DOCUMENT NO. SD-52610-049 SHEET NO. 3 OF 3			
		10 OVER 30 UNDER	± ---	CHECKED BY KTAKAHASHI	DATE 2012/09/05				
		30 OVER	± ---	APPROVED BY KMORIKAWA	DATE 2013/03/15				
ANGULAR ± --- °		DRAFT WHERE APPLICABLE MUST REMAIN WITHIN DIMENSIONS		MATERIAL NO. SEE CHART					
THIS DRAWING CONTAINS INFORMATION THAT IS PROPRIETARY TO MOLEX INCORPORATED AND SHOULD NOT BE USED WITHOUT WRITTEN PERMISSION									