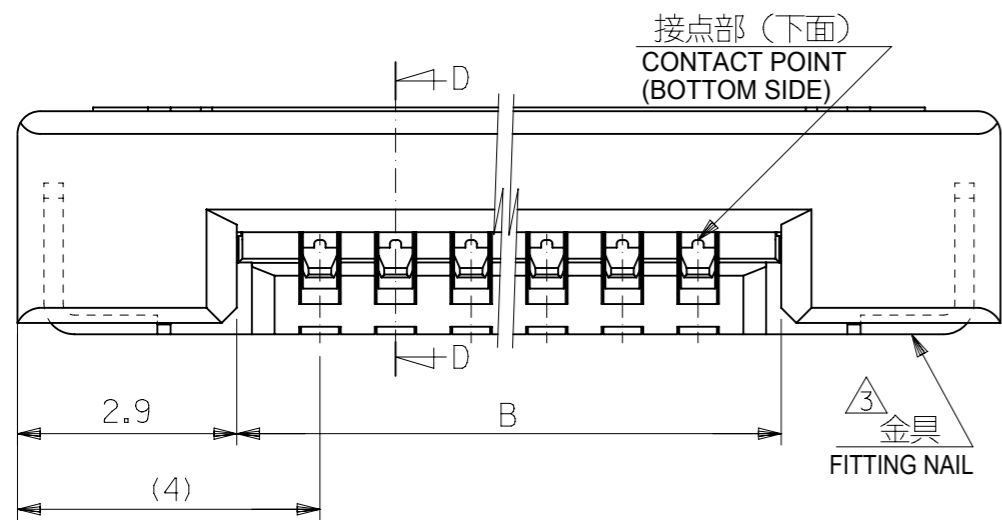
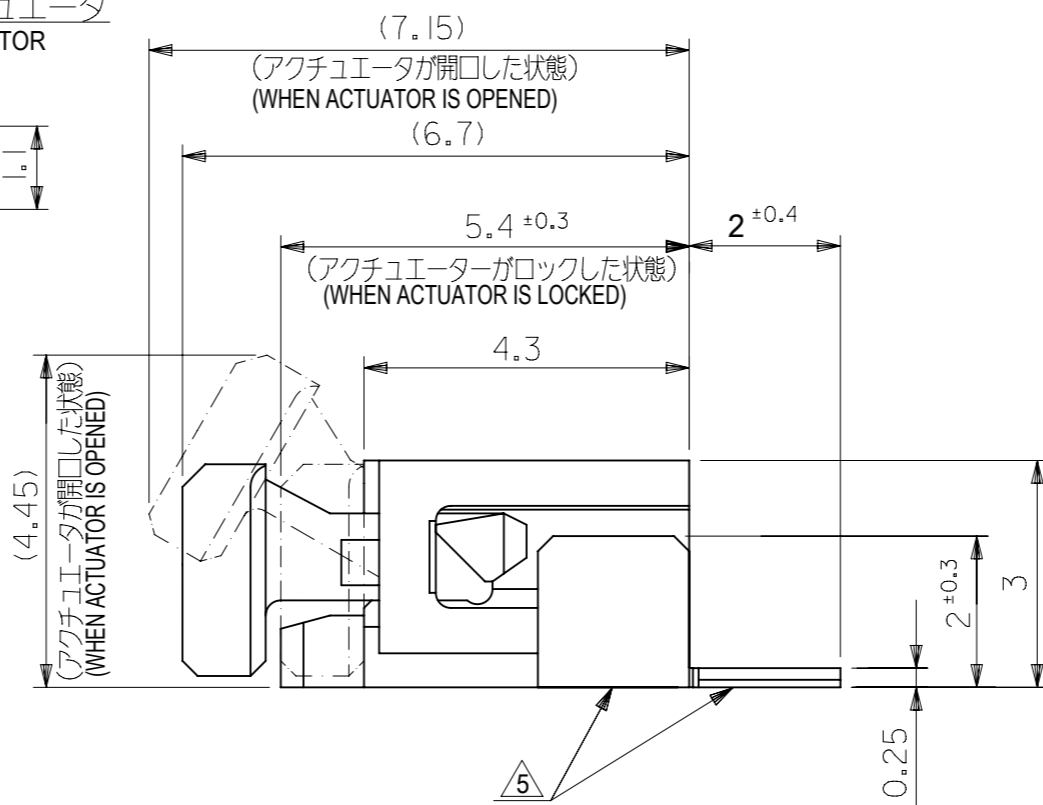


SECT. D-D



35	31.2	29	52271-3069	30
34	30.2	28	52271-2969	29
33	29.2	27	52271-2869	28
32	28.2	26	52271-2769	27
31	27.2	25	52271-2669	26
30	26.2	24	52271-2569	25
29	25.2	23	52271-2469	24
28	24.2	22	52271-2369	23
27	23.2	21	52271-2269	22
26	22.2	20	52271-2169	21
25	21.2	19	52271-2069	20
24	20.2	18	52271-1969	19
23	19.2	17	52271-1869	18
22	18.2	16	52271-1769	17
21	17.2	15	52271-1669	16
20	16.2	14	52271-1569	15
19	15.2	13	52271-1469	14
18	14.2	12	52271-1369	13
17	13.2	11	52271-1269	12
16	12.2	10	52271-1169	11
15	11.2	9	52271-1069	10
14	10.2	8	52271-0969	9
13	9.2	7	52271-0869	8
12	8.2	6	52271-0769	7
11	7.2	5	52271-0669	6
10	6.2	4	52271-0569	5
9	5.2	3	52271-0469	4
C	B	A	EMBOSSED PACKAGE オーダー番号 ORDER NO.	CIRCUITS
52271-**29			CONNECTOR SERIES NO.	

THIS DRAWING CONTAINS INFORMATION THAT IS PROPRIETARY TO MOLEX ELECTRONIC TECHNOLOGIES, LLC AND SHOULD NOT BE USED WITHOUT WRITTEN PERMISSION

GENERAL TOLERANCES (UNLESS SPECIFIED)	
10 UNDER	± 0.2
10 OVER 30 UNDER	± 0.25
30 OVER	± 0.3
ANGULAR ± 3 °	
DRAFT WHERE APPLICABLE MUST REMAIN WITHIN DIMENSIONS	

DIMENSION UNITS	SCALE
mm	10:1
GENERAL TOLERANCES (UNLESS SPECIFIED)	
ANGULAR TOL	± 30 °
4 PLACES	± 0.2
3 PLACES	± 0.25
2 PLACES	± 0.3
1 PLACE	±
0 PLACES	±
DRAFT WHERE APPLICABLE MUST REMAIN WITHIN DIMENSIONS	

CURRENT REV DESC: REVISED

molex

1.0 FPC CONN ZIF SMT (BOTTOM CONTACT) - LEAD FREE-

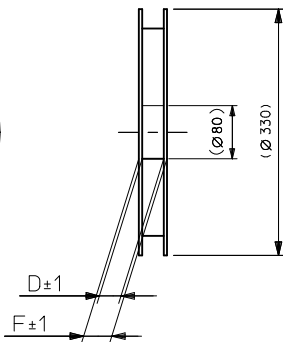
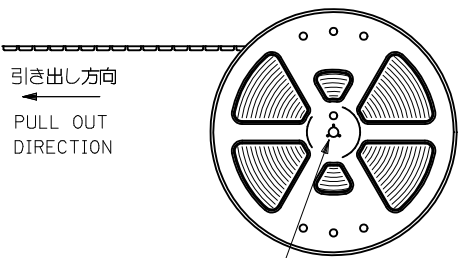
PRODUCT CUSTOMER DRAWING

DOCUMENT NUMBER: SD-52271-038
DOC TYPE: PSD
DOC PART: 001
REVISION: G

EC NO: 600129
DRWN: YCHEN128 2018/04/11
CHK'D: KTAKAHASHI 2018/04/12
APPR: NUKITA 2018/04/13

INITIAL REVISION:
DRWN: MUMEDA 2005/03/29
APPR: NUKITA 2005/04/06

THIRD ANGLE PROJECTION
DRAWING: A3-SIZE
SERIES: 52271
MATERIAL NUMBER: SEE TABLE
CUSTOMER: GENERAL MARKET
SHEET NUMBER: 1 OF 2

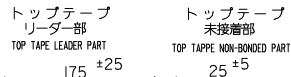


NOTES

1. 製品番号 52271-**29 の梱包状態はアクチュエータがロックした状態とする。
詳細寸法については 図面 SD-52271-038 を参照下さい。
IN THE PACKAGE, ACTUATOR OF PART NO. 52271-**29 SHOULD BE LOCKED
RE DETAILED DIMENSIONS, SEE SD-52271-038.

2. 梱包数量：1000個/リール
NUMBER OF CONNECTORS : 1000 PCS/REEL

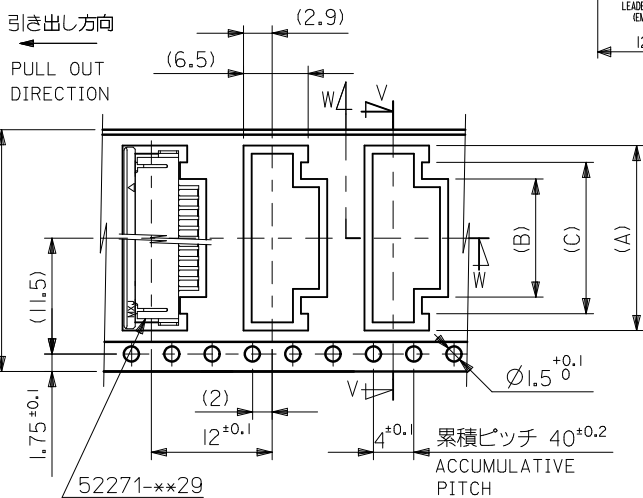
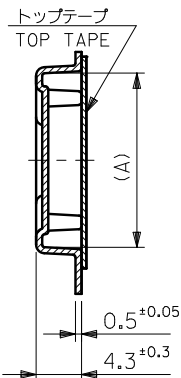
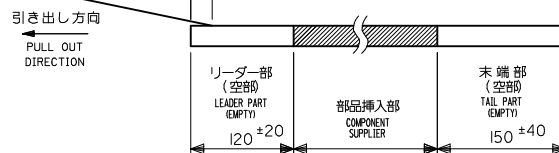
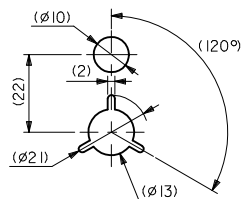
3. リードテープ長さ LEAD TAPE LENGTH



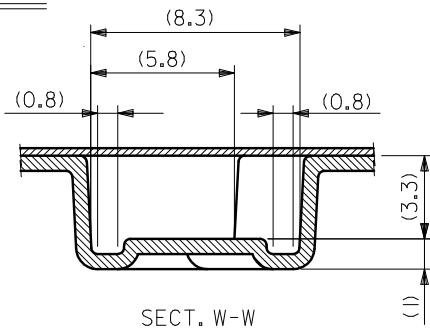
4. カバーテープの剥離強度については、IEC60286-3に準拠
COVER TAPE PEEL FORCE IS DEFINED BY IEC60286-3

5. 材料 (MATERIAL)
キャリアテープ (CARRIER TAPE): ポリプロピレン (POLYPROPYLENE)
トップテープ (TOP TAPE): PET, PE, PEF
リール (REEL): ポリスチレン (PS) <リサイクル材を含む>
POLYSTYRENE (PS) <RECYCLE MATERIAL CONTAINED>

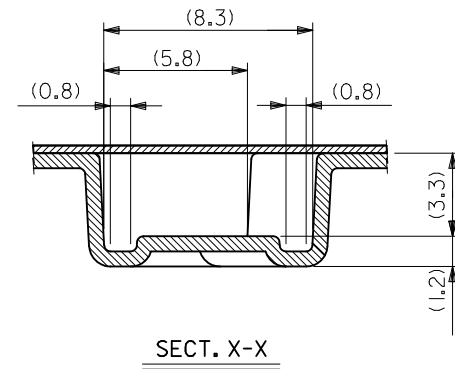
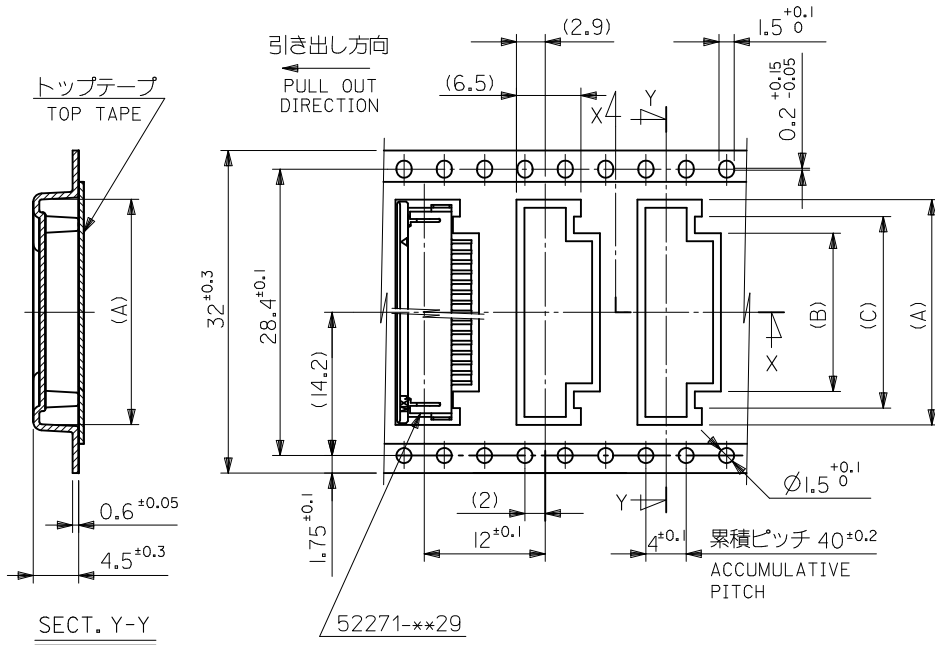
6. 本製品は乾燥剤入り、ハイバリア梱包仕様である。
THIS PRODUCT IS HIGH BARRIER PACKAGE WITH DESICCANT.



24	29.4	25.4	15	11.4	18.3	52271-1169	11
			14	10.4	17.3	52271-1069	10
			12	8.4	15.3	52271-0869	8
			11	7.4	14.3	52271-0769	7
			10	6.4	13.3	52271-0669	6
			9	5.4	12.3	52271-0569	5
			8	4.4	11.3	52271-0469	4
			キャリアテープ幅 CARRIER TAPE WIDTH			F	D

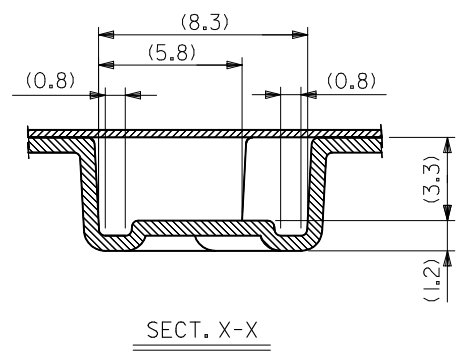
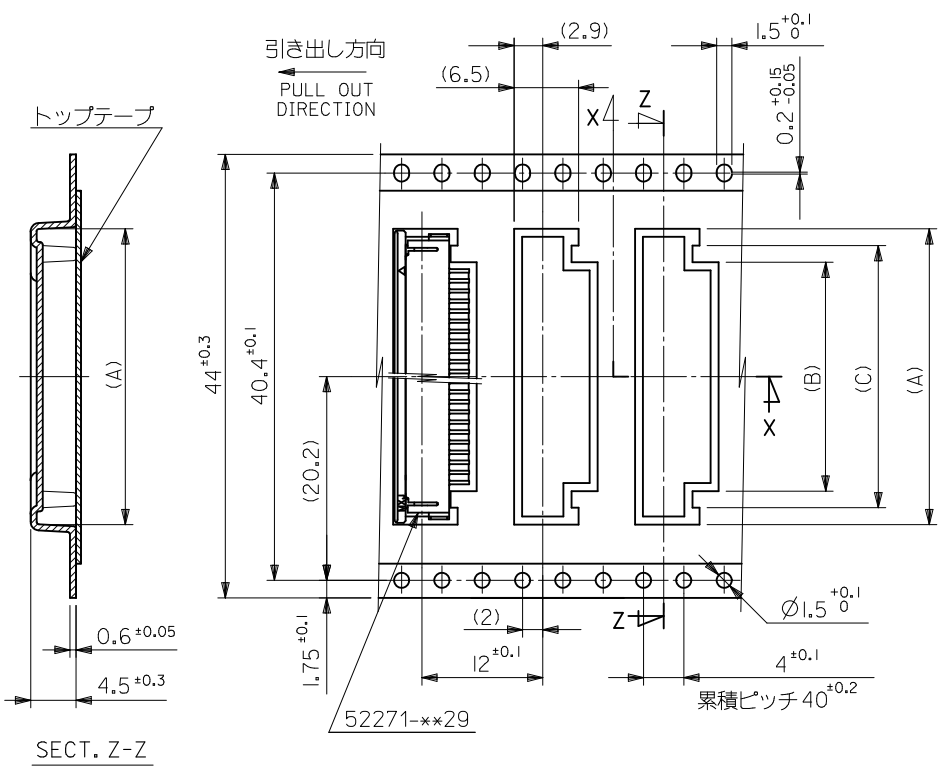


REVISED EC NO: J2010-2474 DRWN: YU HASEGAWA 2010/06/08 CHKD: K. TOYODA 2010/06/08 APPR: KMORI KAWA 2010/06/09	DESCRIPTION REV	GENERAL TOLERANCES (UNLESS SPECIFIED)		DIMENSION STYLE MM ONLY		SCALE ---		DESIGN UNITS METRIC		MODEL NO. 52271-**69		
		10 UNDER	±0.2	DRAWN BY M. UEDA	DATE 2005/03/08	TITLE EMBOSSED TAPE PACKAGE FOR 52271-**29 -LEAD FREE-						
		10 OVER 30 UNDER	±0.25	CHECKED BY K. TOYODA	DATE 2005/03/08	MOLEX INCORPORATED						
		30 OVER	±0.3	APPROVED BY N. UKITA	DATE 2005/03/08							
ANGULAR ±3 °		DRAFT WHERE APPLICABLE MUST REMAIN WITHIN DIMENSIONS		MATERIAL NO. SEE TABLE		DOCUMENT NO. SD-52271-039		SHEET NO. 1 OF 4				
THIS DRAWING CONTAINS INFORMATION THAT IS PROPRIETARY TO MOLEX INCORPORATED AND SHOULD NOT BE USED WITHOUT WRITTEN PERMISSION												



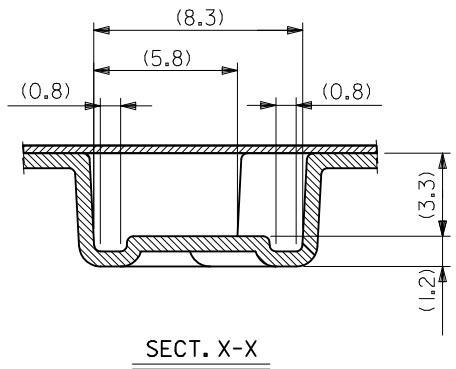
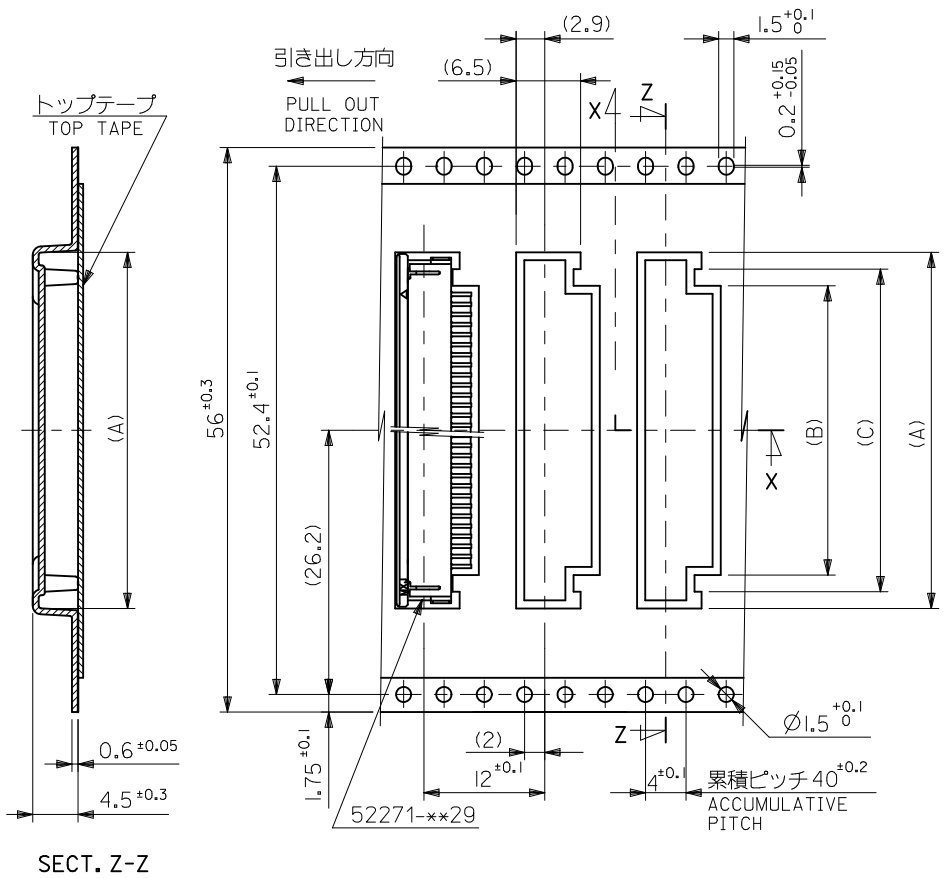
32	37.4	33.4	20	16.4	23.35	52271-1669	16		
			19	15.4	22.35	52271-1569	15		
			18	14.4	21.35	52271-1469	14		
			17	13.4	20.35	52271-1369	13		
			16	12.4	19.35	52271-1269	12		
キャリアテープ幅 CARRIER TAPE WIDTH			F	D	(C)	(B)	(A)	MATERIAL NO.	種数 CKT.

REVISED EC NO: J2010-2474 DRWN: YUHASEGAWA 2010/06/08 CHKD: K. TOYODA 2010/06/08 APPR: KMORIKAWA 2010/06/09	DESCRIPTION REV	GENERAL TOLERANCES (UNLESS SPECIFIED)		DIMENSION STYLE MM ONLY		SCALE ---		DESIGN UNITS METRIC		THIRD ANGLE PROJECTION		
		10 UNDER	±0.2	DRAWN BY	DATE	TITLE EMBOSSD TAPE PACKAGE FOR 52271-**-29 -LEAD FREE-						
		10 OVER 30 UNDER	±0.25	CHECKED BY	DATE	MOLEX INCORPORATED						
		30 OVER	±0.3	APPROVED BY	DATE	MATERIAL NO.		DOCUMENT NO.		SHEET NO.		
		ANGULAR ±3 °		DRAFT WHERE APPLICABLE MUST REMAIN WITHIN DIMENSIONS		SEE TABLE		SD-52271-039		2 OF 4		
SIZE A3		THIS DRAWING CONTAINS INFORMATION THAT IS PROPRIETARY TO MOLEX INCORPORATED AND SHOULD NOT BE USED WITHOUT WRITTEN PERMISSION										



44	49.4	45.4	31	27.4	34.35	52271-2769	27		
			29	25.4	32.35	52271-2569	25		
			28	24.4	31.35	52271-2469	24		
			26	22.4	29.35	52271-2269	22		
			25	21.4	28.35	52271-2169	21		
			24	20.4	27.35	52271-2069	20		
			23	19.4	26.35	52271-1969	19		
			22	18.4	25.35	52271-1869	18		
			21	17.4	24.35	52271-1769	17		
キャリアテープ幅			F	D	(C)	(B)	(A)	MATERIAL NO.	極数

REVISED EC NO: J2010-2474 DRWN: YUHASEGAWA 2010/06/08 CHK'D: K. TOYODA 2010/06/08 APPR: KMORIKAWA 2010/06/09	DESCRIPTION REV	GENERAL TOLERANCES (UNLESS SPECIFIED)		DIMENSION STYLE MM ONLY		SCALE ---		DESIGN UNITS METRIC		THIRD ANGLE PROJECTION		
		10 UNDER	±0.2	DRAWN BY	DATE	TITLE						
		10 OVER 30 UNDER	±0.25	M. UMEDA	2005/03/08	EMBOSSD TAPE PACKAGE FOR 52271-**29 -LEAD FREE-						
		30 OVER	±0.3	CHECKED BY	DATE	MOLEX INCORPORATED						
ANGULAR ±3 ° DRAFT WHERE APPLICABLE MUST REMAIN WITHIN DIMENSIONS		APPROVED BY N. UKITA 2005/03/08		MATERIAL NO. SEE TABLE		DOCUMENT NO. SD-52271-039		SHEET NO. 3 OF 4				
		SIZE A3		THIS DRAWING CONTAINS INFORMATION THAT IS PROPRIETARY TO MOLEX INCORPORATED AND SHOULD NOT BE USED WITHOUT WRITTEN PERMISSION								



SECT. Z-Z

SECT. X-X

56	61.4	57.4	34	30.4	37.35	52271-3069	30
			32	28.4	35.35	52271-2869	28
キャリアテープ幅 CARRIER TAPE WIDTH			F	D	(C)	(B)	(A)
						MATERIAL NO.	種数 CKT.

REVISED EC NO: J2010-2474 DRWN: YUHASEGAWA 2010/06/08 CHKD: K. TOYODA 2010/06/08 APPR: KMORIKAWA 2010/06/09	DESCRIPTION REV	GENERAL TOLERANCES (UNLESS SPECIFIED)		DIMENSION STYLE MM ONLY		SCALE ---	DESIGN UNITS METRIC	THIRD ANGLE PROJECTION	
		10 UNDER	±0.2	DRAWN BY M.UMEDA	DATE 2005/03/08	TITLE EMBOSSD TAPE PACKAGE FOR 52271-**29 -LEAD FREE-			
		10 OVER 30 UNDER	±0.25	CHECKED BY K.TOYODA	DATE 2005/03/08	MOLEX INCORPORATED DOCUMENT NO. SD-52271-039 SHEET NO. 4 OF 4			
		30 OVER	±0.3	APPROVED BY N.UKITA	DATE 2005/03/08				
		ANGULAR ±3 °		DRAFT WHERE APPLICABLE MUST REMAIN WITHIN DIMENSIONS		MATERIAL NO. SEE TABLE			
				SIZE A3		THIS DRAWING CONTAINS INFORMATION THAT IS PROPRIETARY TO MOLEX INCORPORATED AND SHOULD NOT BE USED WITHOUT WRITTEN PERMISSION			