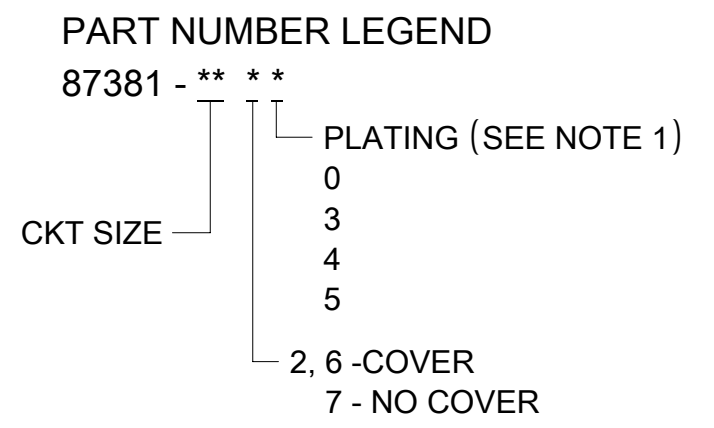


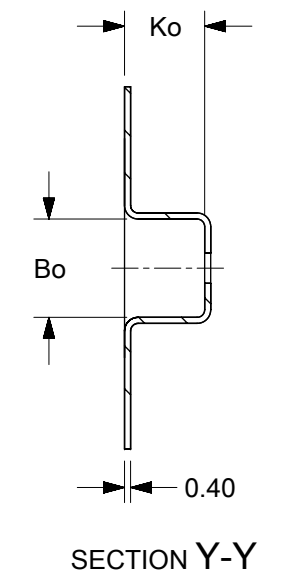
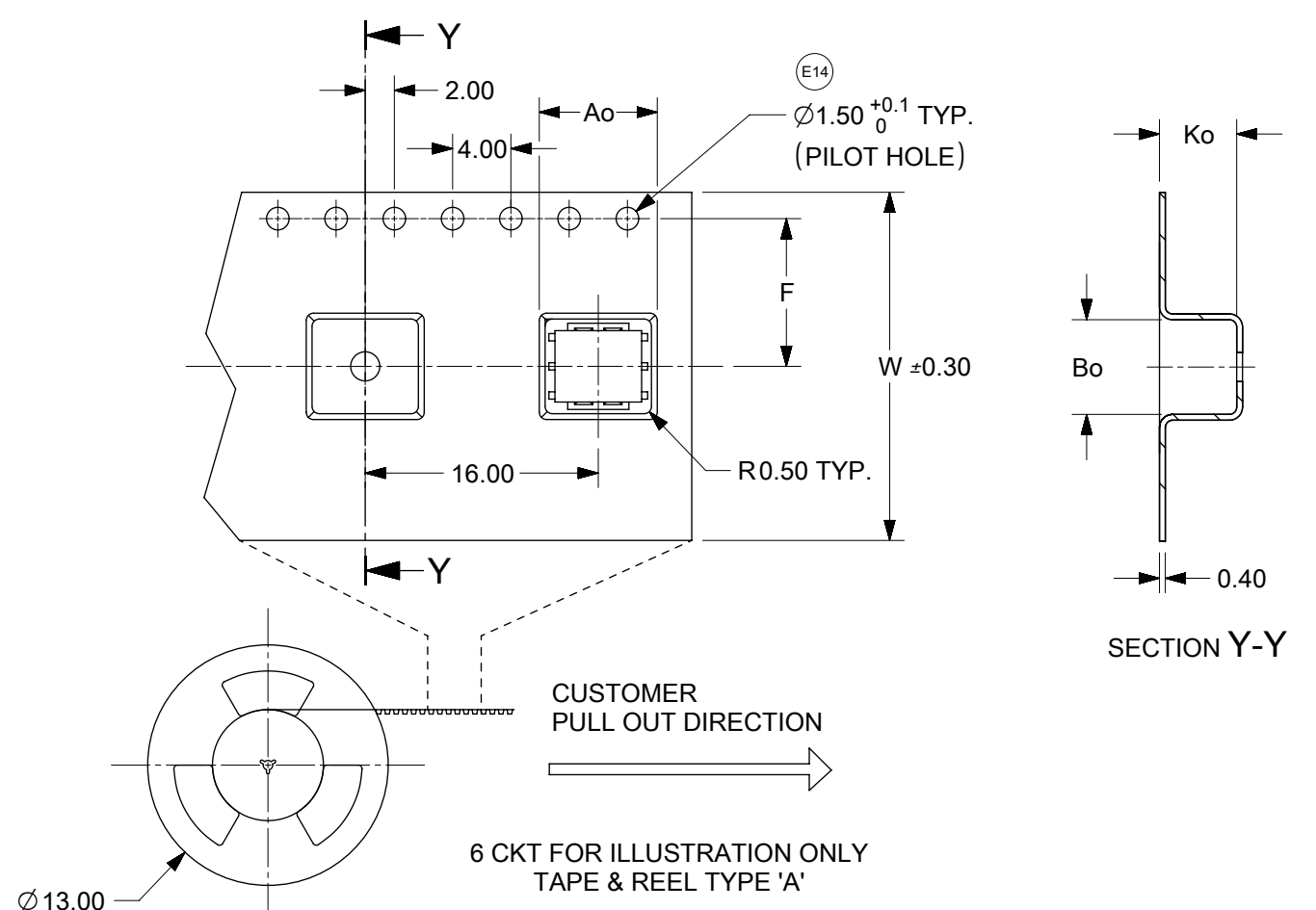
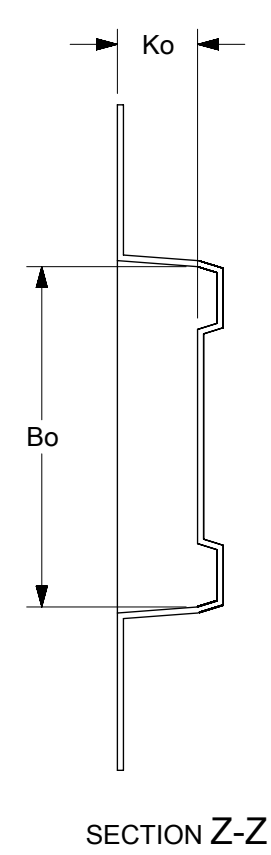
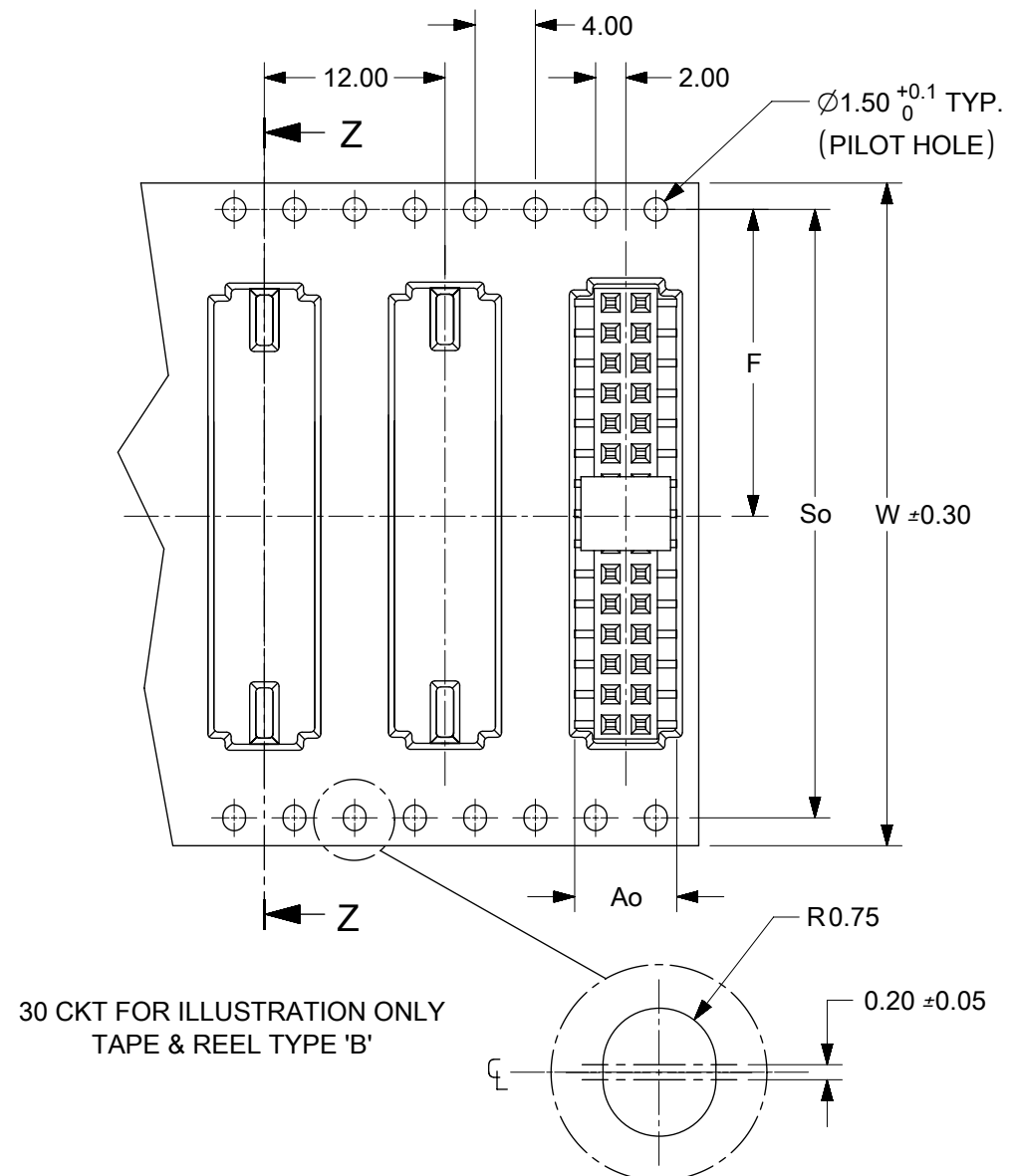
PART NUMBER W/CAP IN TUBE	CKT. SIZE	DIM A	DIM B	DIM C
87381-06**	6	6.00	4.00	0.55
87381-08**	8	8.00	6.00	1.55
87381-10**	10	10.00	8.00	2.55
87381-12**	12	12.00	10.00	3.55
87381-14**	14	14.00	12.00	4.55
87381-16**	16	16.00	14.00	5.55
87381-18**	18	18.00	16.00	6.55
87381-20**	20	20.00	18.00	7.55
87381-22**	22	22.00	20.00	8.55
87381-24**	24	24.00	22.00	9.55
87381-26**	26	26.00	24.00	10.55
87381-28**	28	28.00	26.00	11.55
87381-30**	30	30.00	28.00	12.55
87381-32**	32	32.00	30.00	13.55
87381-34**	34	34.00	32.00	14.55
87381-36**	36	36.00	34.00	15.55
87381-38**	38	38.00	36.00	16.55
87381-40**	40	40.00	38.00	17.55
87381-42**	42	42.00	40.00	18.55
87381-44**	44	44.00	42.00	19.55
87381-46**	46	46.00	44.00	20.55
87381-48**	48	48.00	46.00	21.55
87381-50**	50	50.00	48.00	22.55

- NOTES:
- PLATING FINISH:
    - 0, 3 - 0.76µm MIN. GOLD IN CONTACT AREA 1.27µm MIN. TIN IN SOLDER TAIL AREA BOTH OVER 1.27µm MIN. NICKEL OVERALL
    - 4 - 0.38µm MIN. GOLD IN CONTACT AREA 1.27µm MIN. TIN IN SOLDER TAIL AREA BOTH OVER 1.27µm MIN. NICKEL OVERALL
    - 5 - 0.05µm MIN. GOLD FLASH IN CONTACT AREA 1.90µm MIN. TIN IN SOLDER TAIL AREA BOTH OVER 1.27µm MIN. NICKEL OVERALL
  - 12 CKT SIZE SHOWN FOR ASSY ILLUSTRATION ONLY. (SEE CHART FOR ALL PART SIZES), 6 CKT & 30 CKT ILLUSTRATED FOR TAPE/REEL VERSION ON SHT 2.
  - PRODUCT SPECIFICATION PS-87380 APPLIES.
  - COPLANARITY OF SOLDER TAILS ARE TO BE MEASURED BY RESTING THE PART ON A FLAT GAUGE SURFACE ↑ +0.05 UPWARDS AND ↓ -0.05 DOWNWARDS.
  - TUBE PACKAGING STANDARD.
  - COVER IS OPTIONAL, SEE LEGEND.
  - PARTS SHALL BE PACKED IN MOISTURE BARRIER BAG.
  - REFER SHT 3 FOR P/N: 87381-6000 T&R ILLUSTRATION.

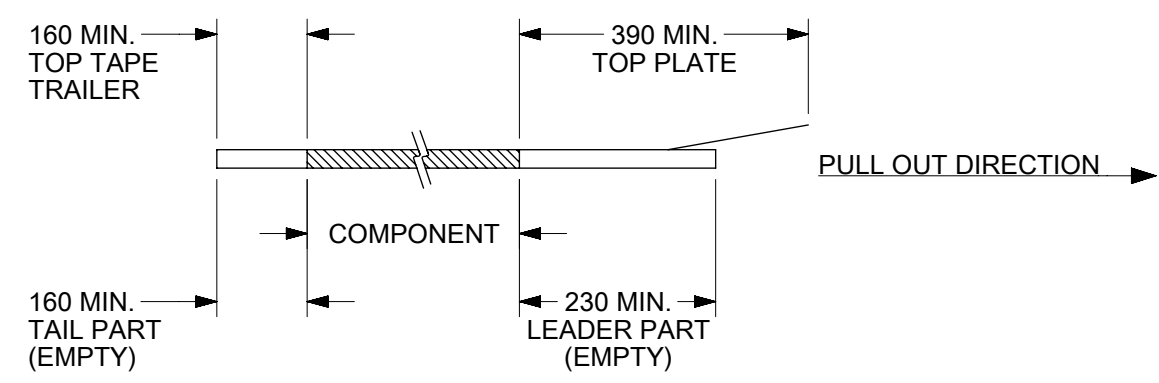


THIS DRAWING CONTAINS INFORMATION THAT IS PROPRIETARY TO MOLEX ELECTRONIC TECHNOLOGIES, LLC AND SHOULD NOT BE USED WITHOUT WRITTEN PERMISSION

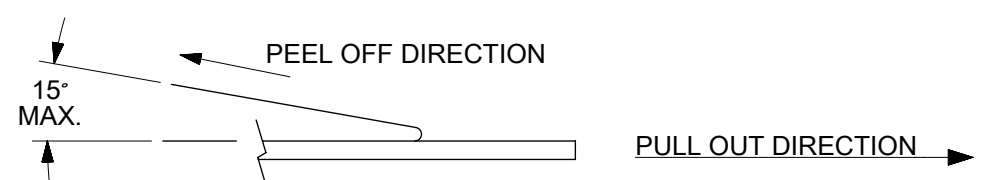
DIMENSION UNITS	SCALE	CURRENT REV DESC: ADDED BTB DIST.	<b>molex</b>		
mm	NTS				
GENERAL TOLERANCES (UNLESS SPECIFIED)			MGRID, TOP ENTRY RECEPT. 4.50MM HT., SMT		
	MM	INCH	PRODUCT CUSTOMER DRAWING		
4 PLACES	±	±	DOCUMENT NUMBER		
3 PLACES	±	±	DOC TYPE		
2 PLACES	± 0.2	±	DOC PART		
1 PLACE	±	±	REVISION		
0 PLACES	±	±	SD-87381-XX6X		
ANGULAR TOL ± 3.0°			PSD 001 E15		
DRAFT WHERE APPLICABLE MUST REMAIN WITHIN DIMENSIONS			SHEET NUMBER		
THIRD ANGLE PROJECTION			MATERIAL NUMBER		
DRAWING			CUSTOMER		
SERIES			GENERAL MARKET		
A3-SIZE			1 OF 5		
87381					



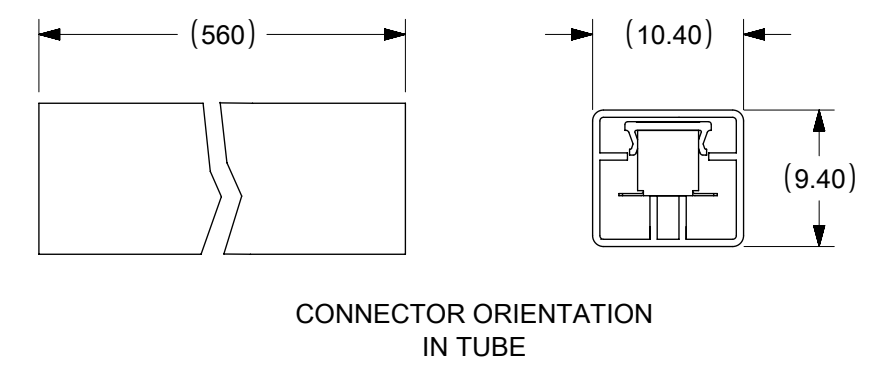
NOTES:  
1. LEADER AND TRAILER TAPE



2. PEELING OFF FORCE OF THE TOP TAPE: 20-80gf.  
(PEELING DIRECTION AS SHOWN IN FOLLOWING FIGURE)


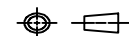


3. PACKAGING STANDARD IS AS PER EIA-481.  
4. TAPE & REEL QUANTITY = SEE TABLE



THIS DRAWING CONTAINS INFORMATION THAT IS PROPRIETARY TO MOLEX ELECTRONIC TECHNOLOGIES, LLC AND SHOULD NOT BE USED WITHOUT WRITTEN PERMISSION											
DIMENSION UNITS		SCALE		CURRENT REV DESC: ADDED BTB DIST.						<b>molex</b>	
mm		NTS									
GENERAL TOLERANCES (UNLESS SPECIFIED)											
		MM		INCH		EC NO: 619055		MGRID, TOP ENTRY RECEPT. 4.50MM HT., SMT			
4 PLACES		±		±		DRWN: HK02		2019/05/14			
3 PLACES		±		±		CHK'D: NMANE02		2019/07/09			
2 PLACES		± 0.2		±		APPR: MRAMAKRISHNA		2019/07/09			
1 PLACE		±		±		INITIAL REVISION:		DOCUMENT NUMBER		DOC TYPE DOC PART REVISION	
0 PLACES		±		±		DRWN: JAMES		1998/01/08		SD-87381-XX6X	
ANGULAR TOL		± 3.0°		± 3.0°		APPR: SQUEK		1999/04/26		PSD 001 E15	
DRAFT WHERE APPLICABLE MUST REMAIN WITHIN DIMENSIONS				THIRD ANGLE PROJECTION		DRAWING		SERIES		MATERIAL NUMBER	
				A3-SIZE		87381		SEE CHART		CUSTOMER GENERAL MARKET	
SHEET NUMBER				2 OF 5							

CKT SIZE	PART No. IN TUBE	PART NO. WITH CAP IN TAPE/REEL	W	So	Ao	F	Bo	Ko	T & R QUANTITY PER REEL
6	87381-0664	87381-9002	24	-	7.00	11.50	6.50	5.30	500
8	87381-0864	87381-9003	24	-	7.00	11.50	8.50	5.30	600
10	87381-1064	87381-9005	24	-	7.00	11.50	10.50	5.30	680
12	87381-1264	87381-9007	24	-	7.00	11.50	12.50	5.30	600
14	87381-1464	87381-9006	32	28.40	7.20	14.20	14.50	5.30	750
16	87381-1664	87381-9004	32	28.40	7.20	14.20	16.50	5.30	800
18	87381-1864	87381-1800	32	28.40	7.20	14.20	18.50	5.30	750
20	87381-2063	87381-2000	32	28.40	7.20	14.20	20.50	5.30	800
22	87381-2264	87381-2200	44	40.40	7.20	20.20	22.50	5.30	500
26	- (E15)	87381-2620	44	40.40	6.60	20.20	26.35	5.60	375
30	87381-3064	87381-3000	44	40.40	7.20	20.20	30.50	5.30	500
32	87381-3264	87381-3200	44	40.40	7.20	20.20	32.50	5.30	500
34	87381-3464	87381-3400	56	52.40	7.20	26.20	34.50	5.30	500
40	87381-4063	-	56	52.40	8.40	26.20	40.40	5.60	750
40	-	87381-4000	56	52.40	8.40	26.20	40.40	5.60	400
44	87381-4464	87381-4400	56	52.40	7.20	26.20	44.50	5.30	500
46	87381-4664	87381-4600	72	68.40	7.20	34.20	46.50	5.30	750
50	87381-5063	87381-5030	72	68.40	7.20	34.20	50.50	5.30	500
50	87381-5064	87381-5000	72	68.40	7.20	34.20	50.50	5.30	500

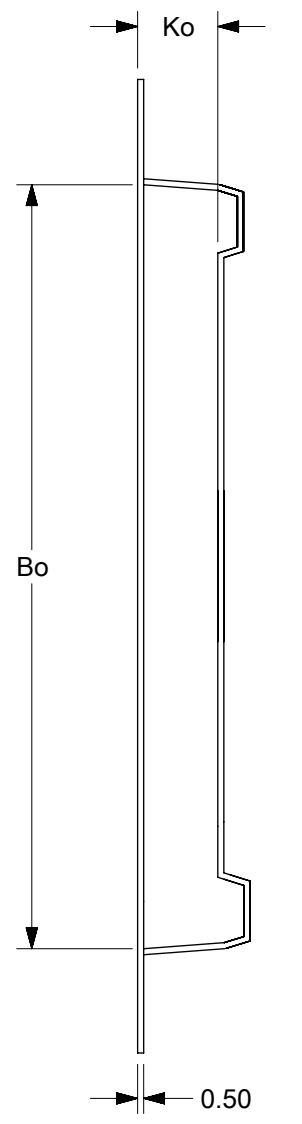
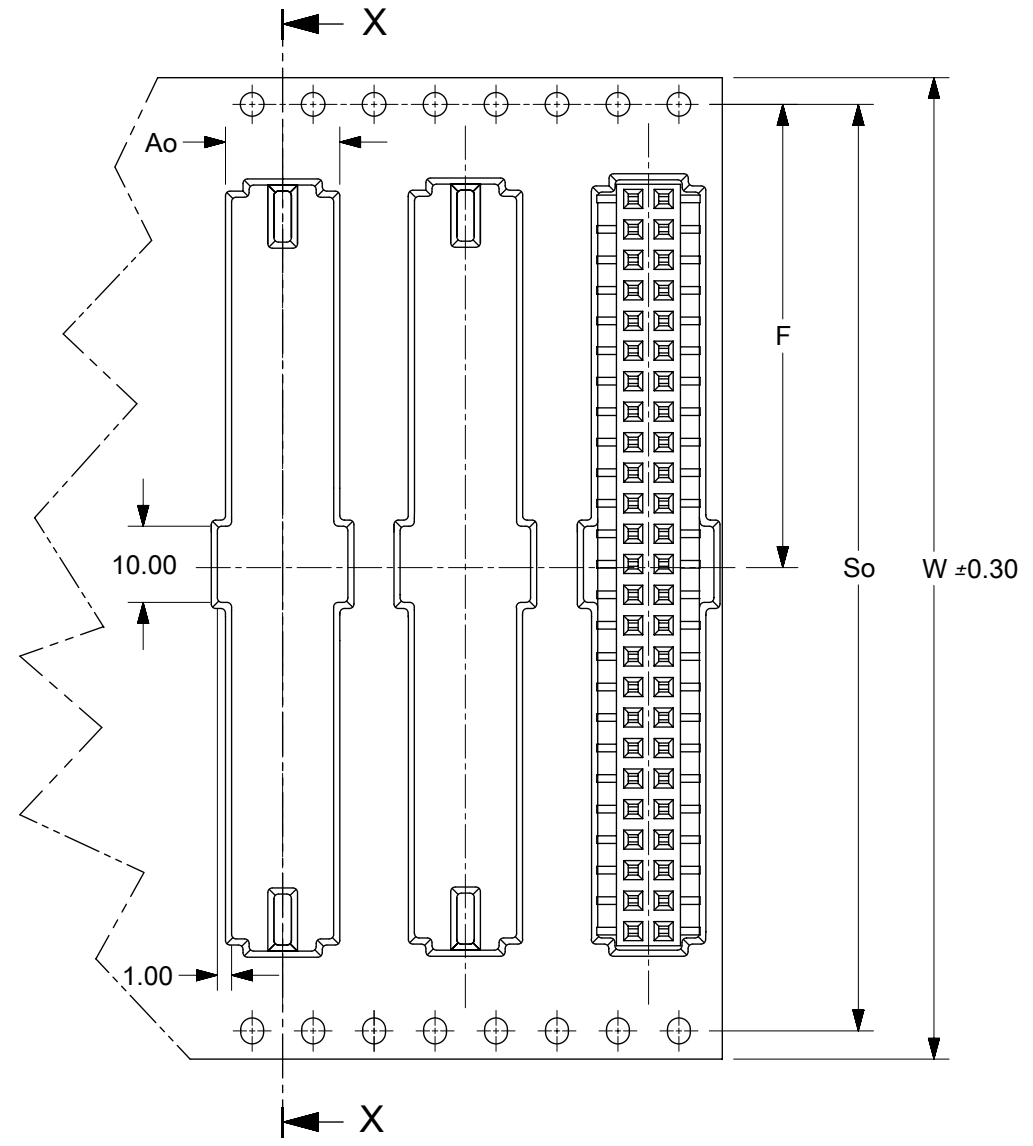
THIS DRAWING CONTAINS INFORMATION THAT IS PROPRIETARY TO MOLEX ELECTRONIC TECHNOLOGIES, LLC AND SHOULD NOT BE USED WITHOUT WRITTEN PERMISSION									
DIMENSION UNITS		SCALE		CURRENT REV DESC: ADDED BTB DIST.					
mm		NTS							
GENERAL TOLERANCES (UNLESS SPECIFIED)									
		MM	INCH	EC NO: 619055 DRWN: HK02 2019/05/14 CHK'D: NMANE02 2019/07/09 APPR: MRAMAKRISHNA 2019/07/09 INITIAL REVISION: DRWN: JAMES 1998/01/08 APPR: SQUEK 1999/04/26					
4 PLACES	±		±						
3 PLACES	±		±						
2 PLACES	±	0.2	±						
1 PLACE	±		±						
0 PLACES	±		±	DOCUMENT NUMBER		DOC TYPE	DOC PART	REVISION	
ANGULAR TOL ± 3.0°				SD-87381-XX6X		PSD	001	E15	
DRAFT WHERE APPLICABLE MUST REMAIN WITHIN DIMENSIONS				THIRD ANGLE PROJECTION		DRAWING	SERIES	MATERIAL NUMBER	CUSTOMER
						A3-SIZE	87381	SEE CHART	GENERAL MARKET
								SHEET NUMBER	3 OF 5

DOCUMENT STATUS	P1	RELEASE DATE	2019/07/09	06:47:06
-----------------	----	--------------	------------	----------

9 8 7 6 5 4 3 2 1

CKT SIZE	PART No. WITHOUT CAP IN TUBE	PART NO. WITHOUT CAP IN TAPE / REEL	W	So	Ao	F	Bo	Ko	T & R TYPE (SHT 2)	T&R QTY PER REEL
50	87381-5074	87381-6000 $\triangle_8$	72	68.40	6.80	34.20	50.50	8.00	B	500

$\triangle_8$  ILLUSTRATION FOR P/N: 87381-6000  
50 CKT IN T&R W/O CAP

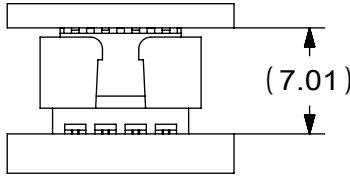
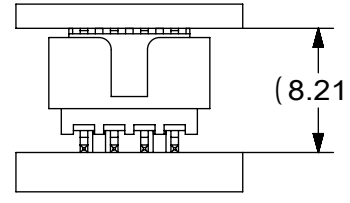


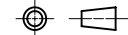
SECTION X-X

THIS DRAWING CONTAINS INFORMATION THAT IS PROPRIETARY TO MOLEX ELECTRONIC TECHNOLOGIES, LLC AND SHOULD NOT BE USED WITHOUT WRITTEN PERMISSION											
DIMENSION UNITS		SCALE		CURRENT REV DESC: ADDED BTB DIST.						<b>molex</b>	
mm		NTS									
GENERAL TOLERANCES (UNLESS SPECIFIED)				EC NO: 619055		2019/05/14		MGRID, TOP ENTRY RECEPT. 4.50MM HT., SMT			
4 PLACES ±		±		DRWN: HK02		2019/07/09					
3 PLACES ±		±		CHK'D: NMANE02		2019/07/09		PRODUCT CUSTOMER DRAWING			
2 PLACES ±		0.2 ±		APPR: MRAMAKRISHNA		2019/07/09					
1 PLACE ±		±		INITIAL REVISION:				DOCUMENT NUMBER			
0 PLACES ±		±		DRWN: JAMES		1998/01/08					
ANGULAR TOL ±		3.0°		APPR: SQUEK		1999/04/26					
DRAFT WHERE APPLICABLE MUST REMAIN WITHIN DIMENSIONS				THIRD ANGLE PROJECTION		DRAWING		SERIES		MATERIAL NUMBER	
						A3-SIZE		87381		SEE CHART	
						GENERAL MARKET				SHEET NUMBER	
										4 OF 5	

9 8 7 6 5 4 3 2 1

**BOARD TO BOARD (BTB) DISTANCE**

RECEPTACLE	MATES WITH(HEADER)	BTB DISTANCE	PICTORIAL VIEW
87381	87831	7.01	
	87832	8.21	

THIS DRAWING CONTAINS INFORMATION THAT IS PROPRIETARY TO MOLEX ELECTRONIC TECHNOLOGIES, LLC AND SHOULD NOT BE USED WITHOUT WRITTEN PERMISSION													
DIMENSION UNITS		SCALE		CURRENT REV DESC: ADDED BTB DIST.				<b>molex</b>		MGRID, TOP ENTRY RECEPT. 4.50MM HT., SMT			
mm		NTS											
GENERAL TOLERANCES (UNLESS SPECIFIED)				EC NO: 619055		2019/05/14		DOCUMENT NUMBER		DOC TYPE   DOC PART   REVISION			
		MM	INCH	DRWN: HK02		2019/07/09		SD-87381-XX6X		PSD	001	E15	
4 PLACES		±	±	CHK'D: NMANE02		2019/07/09		PRODUCT CUSTOMER DRAWING					
3 PLACES		±	±	APPR: MRAMAKRISHNA		2019/07/09							
2 PLACES		± 0.2	±	INITIAL REVISION:									
1 PLACE		±	±	DRWN: DRWN BY		XXXX/XX/XX							
0 PLACES		±	±	APPR: APPR BY		XXXX/XX/XX							
ANGULAR TOL		± 3.0°		THIRD ANGLE PROJECTION		DRAWING		SERIES		MATERIAL NUMBER		CUSTOMER	SHEET NUMBER
DRAFT WHERE APPLICABLE MUST REMAIN WITHIN DIMENSIONS				A3-SIZE		87381		GENERAL MARKET		5 OF 5			