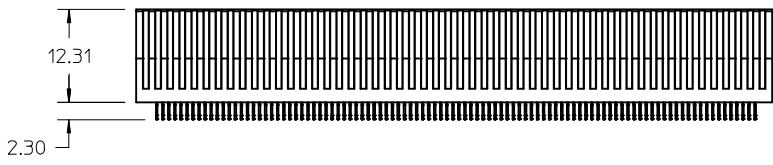


PART NUMBER	VERSION	BAY 1/BAY 2	TOTAL CIRCUITS	DIM A	SALES DRAWING (SEE NOTE 8)
170673-2278	2 BAY	146/132	278	118.63	SD-170673-2278
170673-1200	1 BAY	200	200	84.20	SD-170673-1200
170673-2108	2 BAY	86/22	108	50.63	SD-170673-2108
170673-2080	2 BAY	52/28	80	39.43	SD-170673-2080
170673-1046	1 BAY	46	46	22.60	SD-170673-1046

2 BAY EDGELINE

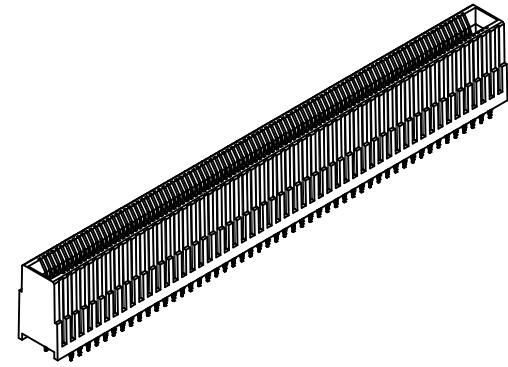
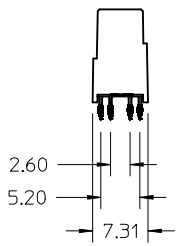


1 BAY EDGELINE



LAST CIRCUIT

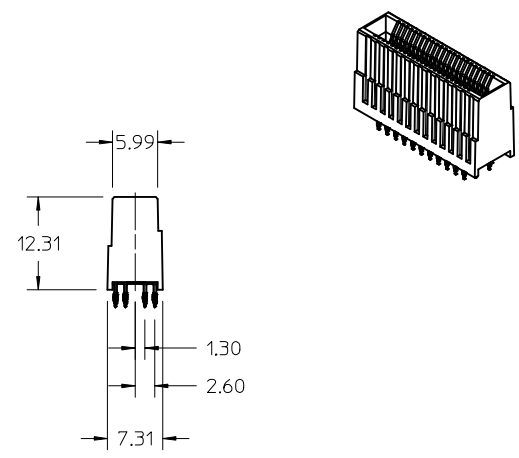
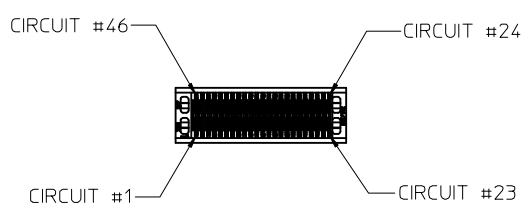
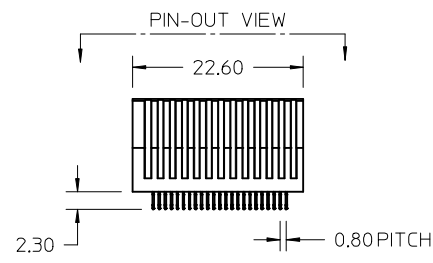
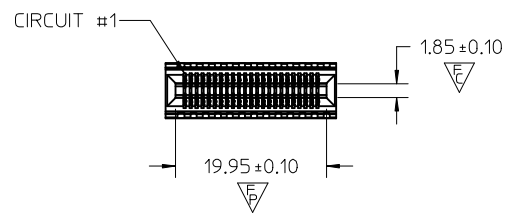
FIRST CIRCUIT



NOTES:

- MATERIAL:
HOUSING - GLASS FILLED THERMOPLASTIC, 94-V0, BLACK
TERMINALS - COPPER ALLOY
- FINISH:
CONTACT AREA: HARD GOLD -0.76μm MIN OVER 3.80μ NICKEL
COMPLIANT AREA: TIN - 0.76/1.52μm OVER NICKEL
- REFER TO PS-75594-999 PRODUCT SPECIFICATION FOR ALL ELECTRICAL, MECHANICAL AND ENVIRONMENTAL SPECIFICATIONS.
- PROCESSING: PRESSFIT TO PC BOARD.
- MATING PC BOARD THICKNESS = 1.60±0.16MM OVER CONTACT PADS.
- PRODUCT IS ELV AND RoHS COMPLIANT. LEVEL OF COMPLIANCE: 6/6
ALL BANNED SUBSTANCES ARE REMOVED:
Pb (LEAD)
HEXAVALENT CHROMIUM (CrVI)
CADMIUM
MERCURY
POLYBROMINATED BIPHENYL (PBB)
POLYBROMINATED DIPHENYL ETHER (PBDE)
- THIS PART CONFORMS TO CLASS B REQUIREMENTS OF COSMETIC SPEC PS-45499-002
- FOR EDGE CARD AND MOUNTING PCB LAYOUT DETAIL SEE CORRESPONDING SALES DRAWING.

RELEASED REV A EC NO: UCP2011-2702 DRWNG: DROSCA 2011/03/07 CHKD: JCOMERCI 2011/03/28 APPR: JCOMERCI 2011/03/28	DESCRIPTION REV 0 0 0	QUALITY SYMBOLS	GENERAL TOLERANCES (UNLESS SPECIFIED)	DIMENSION STYLE MM ONLY	SCALE 2:1	DESIGN UNITS METRIC	THIRD ANGLE PROJECTION
			mm INCH	DRAWN BY DATE DROSCA 2010/06/22	TITLE EDGELINE 12.5GB 0.062"PCB 0.8MM PITCH		
			4 PLACES ± --- ± --- 3 PLACES ± --- ± --- 2 PLACES ± --- ± --- 1 PLACE ± --- ± ---	CHECKED BY DATE JCOMERCI 2010/06/22			
			ANGULAR ±1/2°	APPROVED BY DATE JCOMERCI 2010/10/25			
		DRAFT WHERE APPLICABLE MUST REMAIN WITHIN DIMENSIONS	MATERIAL NO. SEE TABLE	DOCUMENT NO. SD-170673-0001	SHEET NO. 1 OF 1		
			SIZE C	THIS DRAWING CONTAINS INFORMATION THAT IS PROPRIETARY TO MOLEX INCORPORATED AND SHOULD NOT BE USED WITHOUT WRITTEN PERMISSION			



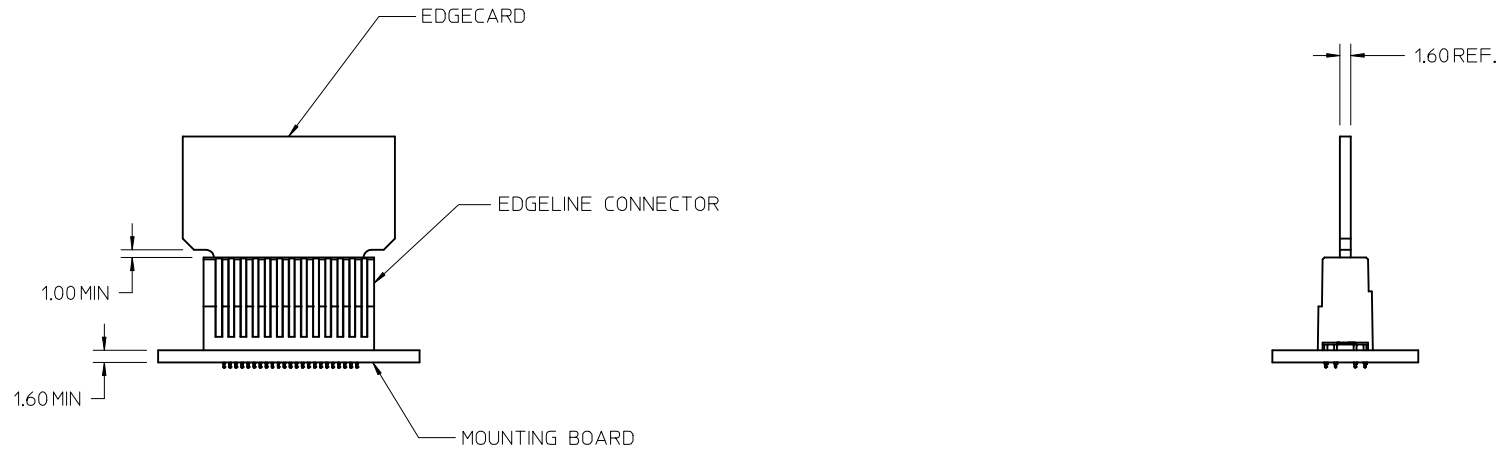
NOTES:

1. MATERIAL:
HOUSING - GLASS FILLED THERMOPLASTIC, 94-V0, BLACK
TERMINALS - COPPER ALLOY
2. FINISH:
CONTACT AREA: HARD GOLD -0.76µm MIN OVER 3.80µ NICKEL
COMPLIANT AREA: TIN - 0.76/1.52µm OVER NICKEL
3. REFER TO PS-75594-999 PRODUCT SPECIFICATION FOR ALL ELECTRICAL, MECHANICAL AND ENVIRONMENTAL SPECIFICATIONS.
4. REFER TO PK-76693-900 FOR ALL PACKAGING SPECIFICATIONS.
5. PROCESSING: PRESSFIT TO PC BOARD.
6. MATING PC BOARD THICKNESS = 1.60±0.16MM OVER CONTACT PADS.
7. THIS PART CONFORMS TO CLASS B REQUIREMENTS OF COSMETIC SPEC PS-45499-002

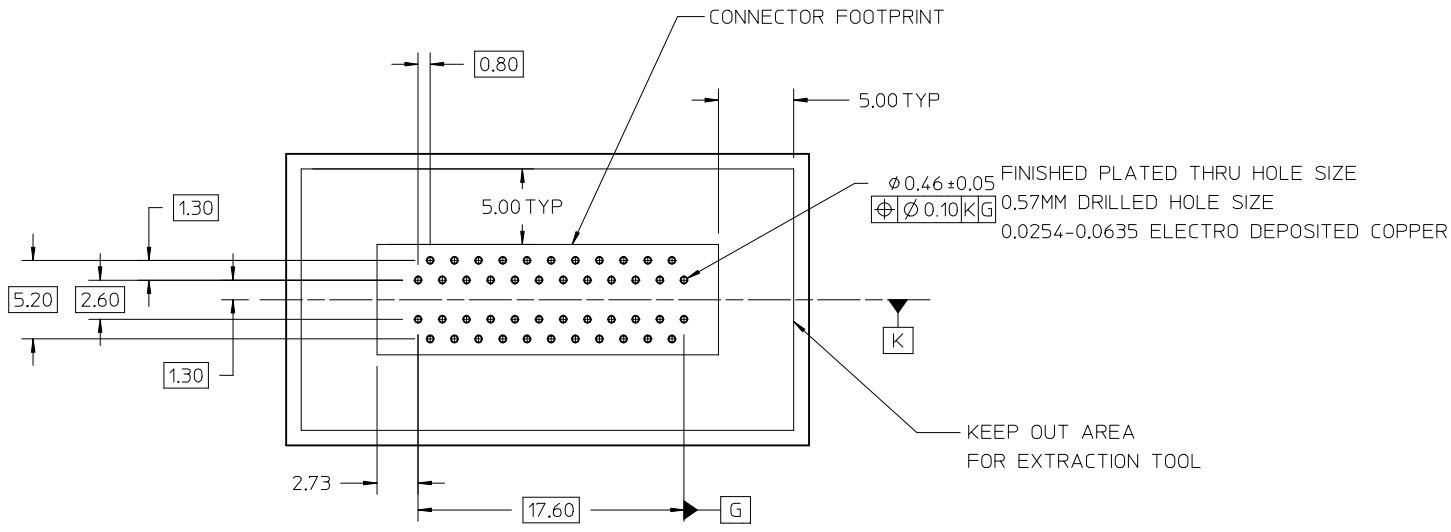
CORRECT EDGE CARD WIDTH TOLERANCE EC NO: UCP2016-4620 2016/06/02 DRWNGES CHKD: APPR:DMCGOWAN 2016/06/13	DESCRIPTION REV	QUALITY SYMBOLS ▽=0 ▽=1 ▽=1	GENERAL TOLERANCES (UNLESS SPECIFIED)		DIMENSION STYLE MM ONLY		SCALE 2:1	DESIGN UNITS METRIC	THIRD ANGLE PROJECTION
					DRAWN BY DROSCA	DATE 2011/03/18	TITLE EDGELINE 12.5GB 46CKTS 0.062*PCB 0.8MM PITCH		
					CHECKED BY JCOMERC I	DATE 2011/03/28			
						APPROVED BY JCOMERC I	DATE 2011/03/28	molex DOCUMENT NO. SD-170673-1046	

ANGULAR ± 2 °
 DRAFT WHERE APPLICABLE MUST REMAIN WITHIN DIMENSIONS
 SIZE C THIS DRAWING CONTAINS INFORMATION THAT IS PROPRIETARY TO MOLEX INCORPORATED AND SHOULD NOT BE USED WITHOUT WRITTEN PERMISSION

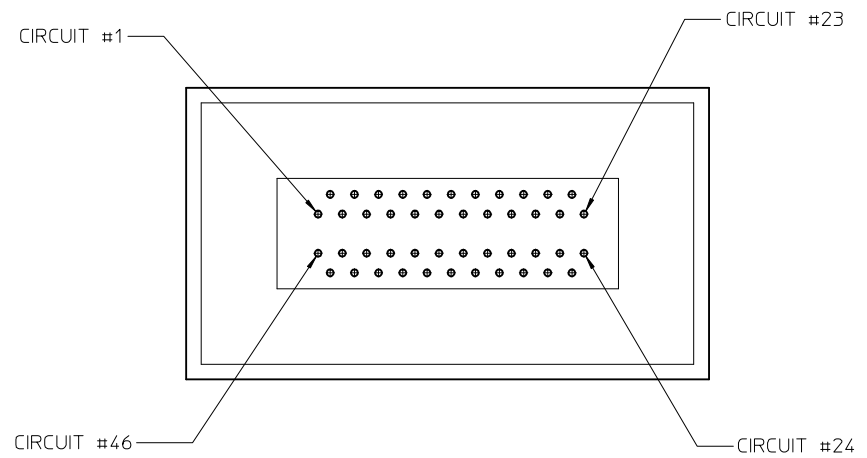
EDGE LINE CONNECTOR BOARD MOUNTING



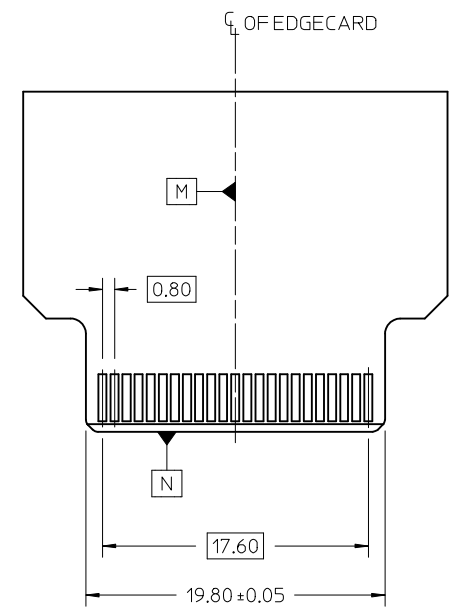
SEE SHEET 1 EC NO: UCP2016-4620 DRAWINGS 2016/06/02 CHKD: APPR:DMCGOWAN 2016/06/13	QUALITY SYMBOLS ▽=0 ▽=0 ▽=0	GENERAL TOLERANCES (UNLESS SPECIFIED)		DIMENSION STYLE MM ONLY		SCALE 2:1	DESIGN UNITS METRIC	THIRD ANGLE PROJECTION	
		mm	INCH	DRAWN BY DROSCA	DATE 2011/03/18	TITLE EDGE LINE 12.5GB 46CKTS 0.062"PCB 0.8MM PITCH			
D	DESCRIPTION	4 PLACES	± ---	± ---	CHECKED BY JCOMERC I	DATE 2011/03/28			
		3 PLACES	± ---	± ---	APPROVED BY JCOMERC I	DATE 2011/03/28			
		2 PLACES	± 0.15	± ---			DOCUMENT NO. SD-170673-1046 SHEET NO. 2 OF 4		
		1 PLACE	± 0.25	± ---					
		0 PLACE	±	±					
		ANGULAR ± 2 °		MATERIAL NO.					
		DRAFT WHERE APPLICABLE MUST REMAIN WITHIN DIMENSIONS		SEE SHEET 1					
				SIZE C		THIS DRAWING CONTAINS INFORMATION THAT IS PROPRIETARY TO MOLEX INCORPORATED AND SHOULD NOT BE USED WITHOUT WRITTEN PERMISSION			



PCB LAYOUT - COMPONENT VIEW

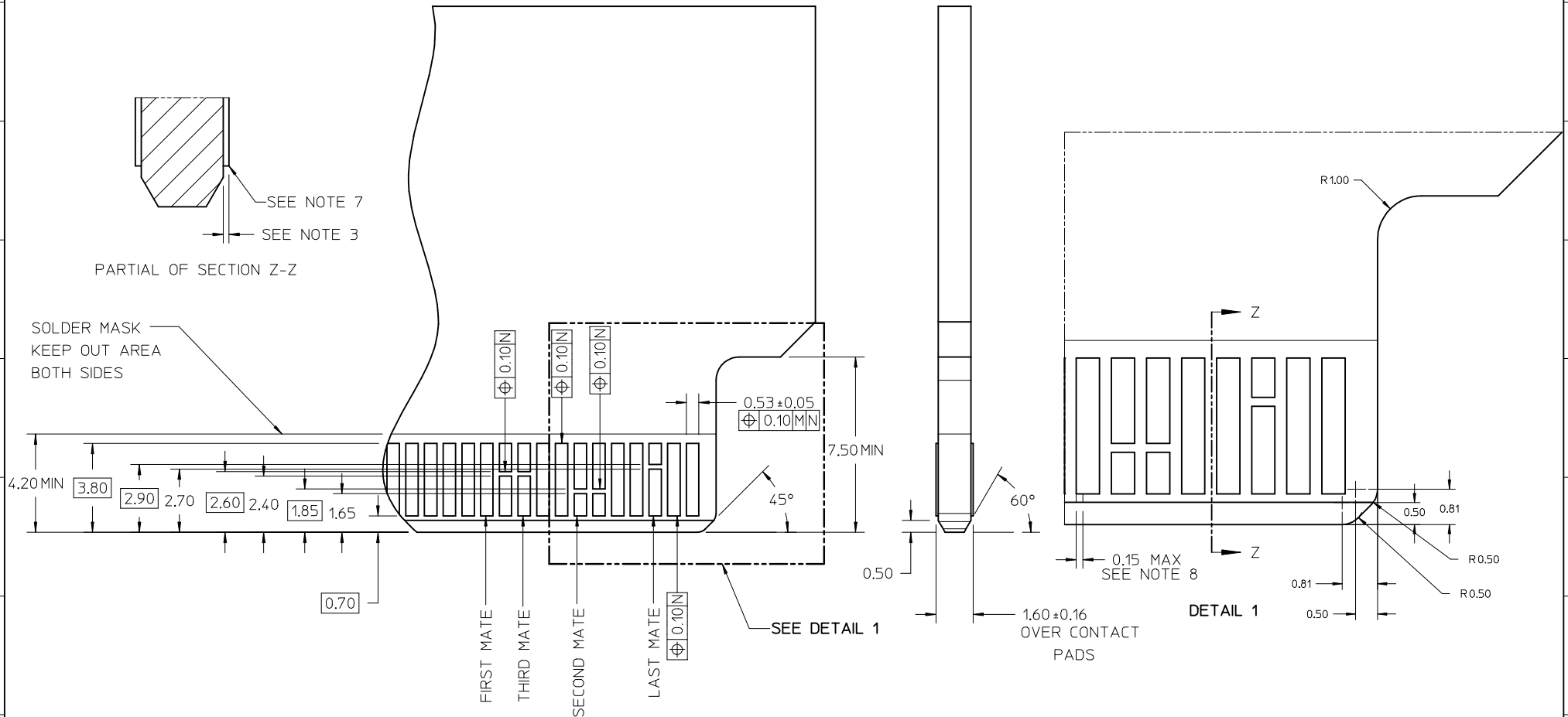


PIN-OUT - COMPONENT VIEW



SEE SHEET 1 EC NO: UCP2016-4620 2016/06/02 DRWNGES CHKD: APPR:DMCGOWAN 2016/06/13 REV DESCRIPTION	QUALITY SYMBOLS	GENERAL TOLERANCES (UNLESS SPECIFIED)	DIMENSION STYLE	SCALE	DESIGN UNITS	THIRD ANGLE PROJECTION
	$\nabla = 0$	mm INCH	MM ONLY	4:1	METRIC	
	$\nabla = 0$	4 PLACES ± --- ± ---	DRAWN BY DATE	TITLE		
	$\nabla = 0$	3 PLACES ± --- ± ---	DROSCA 2011/03/18	EDGELINE 12.5GB 46CKTS		
	$\nabla = 0$	2 PLACES ± 0.15 ± ---	CHECKED BY DATE	0.062"PCB 0.8MM PITCH		
	1 PLACE ± 0.25 ± ---	JCOMERCI 2011/03/28	APPROVED BY DATE			
	0 PLACE ± ±	JCOMERCI 2011/03/28	MATERIAL NO.			
	ANGULAR ± 2 °		DOCUMENT NO.			
	DRAFT WHERE APPLICABLE MUST REMAIN WITHIN DIMENSIONS		SEE SHEET 1			
			SD-170673-1046			
			SHEET NO. 3 OF 4			
			THIS DRAWING CONTAINS INFORMATION THAT IS PROPRIETARY TO MOLEX INCORPORATED AND SHOULD NOT BE USED WITHOUT WRITTEN PERMISSION			

MODULE EDGE CARD CONTACT DETAIL



MATING PCB NOTES:

1. CONNECTOR LAND CONDITIONS SHALL MEET THE MOST CURRENT REVISION OF PCB SPECIFICATION IPC-6012C-2010 SECTION 3.5.4.4.
2. DIMENSIONS APPLY TO LANDS ON BOTH SIDES OF THE BOARD.
3. THE THICKNESS OF THE OUTER METAL LAYERS, INCLUDING FOIL, COPPER PLATING, AND THE PROTECTIVE SURFACE FINISH, SHALL BE 0.066mm MAX.
4. CHAMFER ROUGHNESS NOT TO EXCEED 3.17 MICROMETERS.
5. CHAMFER PROCESS SHALL NOT DAMAGE THE GOLD EDGE LANDS.
6. EDGE CARD CHAMFER NOT TO GO THRU GOLD LANDS.
7. 0.03mm MAX PLATING OVERHANG ON ALL GOLD LAND EDGES.
8. MOLEX RECOMMENDS NO TIE-BARS ON THE LEADING EDGE OF THE GOLD LAND. IF TIE-BARS ARE USED, THEY SHALL BE PLACED TO ONE SIDE OF THE GOLD LAND. APPLIES TO ALL GOLD LANDS.

SEE SHEET 1 EC NO: UCP2016-4620 DRWNGES 2016/06/02 CHKD: APPR:DMCGOWAN 2016/06/13 REVISIONS	QUALITY SYMBOLS	GENERAL TOLERANCES (UNLESS SPECIFIED)	DIMENSION STYLE	SCALE	DESIGN UNITS	THIRD ANGLE PROJECTION
	∇=0 ∇=0 ∇=0	mm INCH 4 PLACES ± --- ± --- 3 PLACES ± --- ± --- 2 PLACES ± 0.15 ± --- 1 PLACE ± 0.25 ± --- 0 PLACE ± ±	MM ONLY	8:1	METRIC	DRAWN BY DATE DROSCA 2011/03/18 CHECKED BY DATE JCOMERC I 2011/03/28 APPROVED BY DATE JCOMERC I 2011/03/28
ANGULAR ± 2 ° DRAFT WHERE APPLICABLE MUST REMAIN WITHIN DIMENSIONS		MATERIAL NO. SEE SHEET 1		DOCUMENT NO. SD-170673-1046		SHEET NO. 4 OF 4
THIS DRAWING CONTAINS INFORMATION THAT IS PROPRIETARY TO MOLEX INCORPORATED AND SHOULD NOT BE USED WITHOUT WRITTEN PERMISSION						