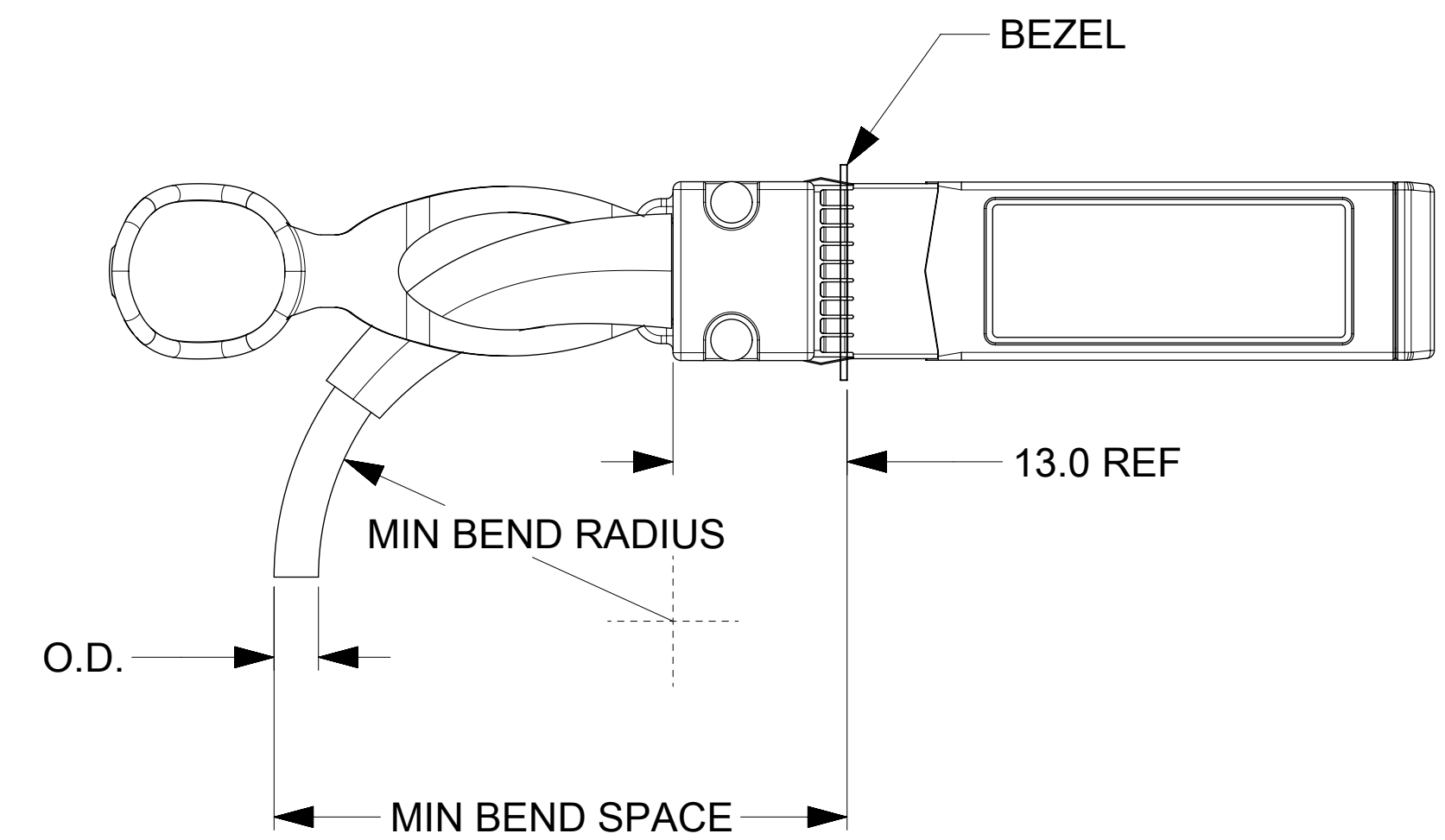
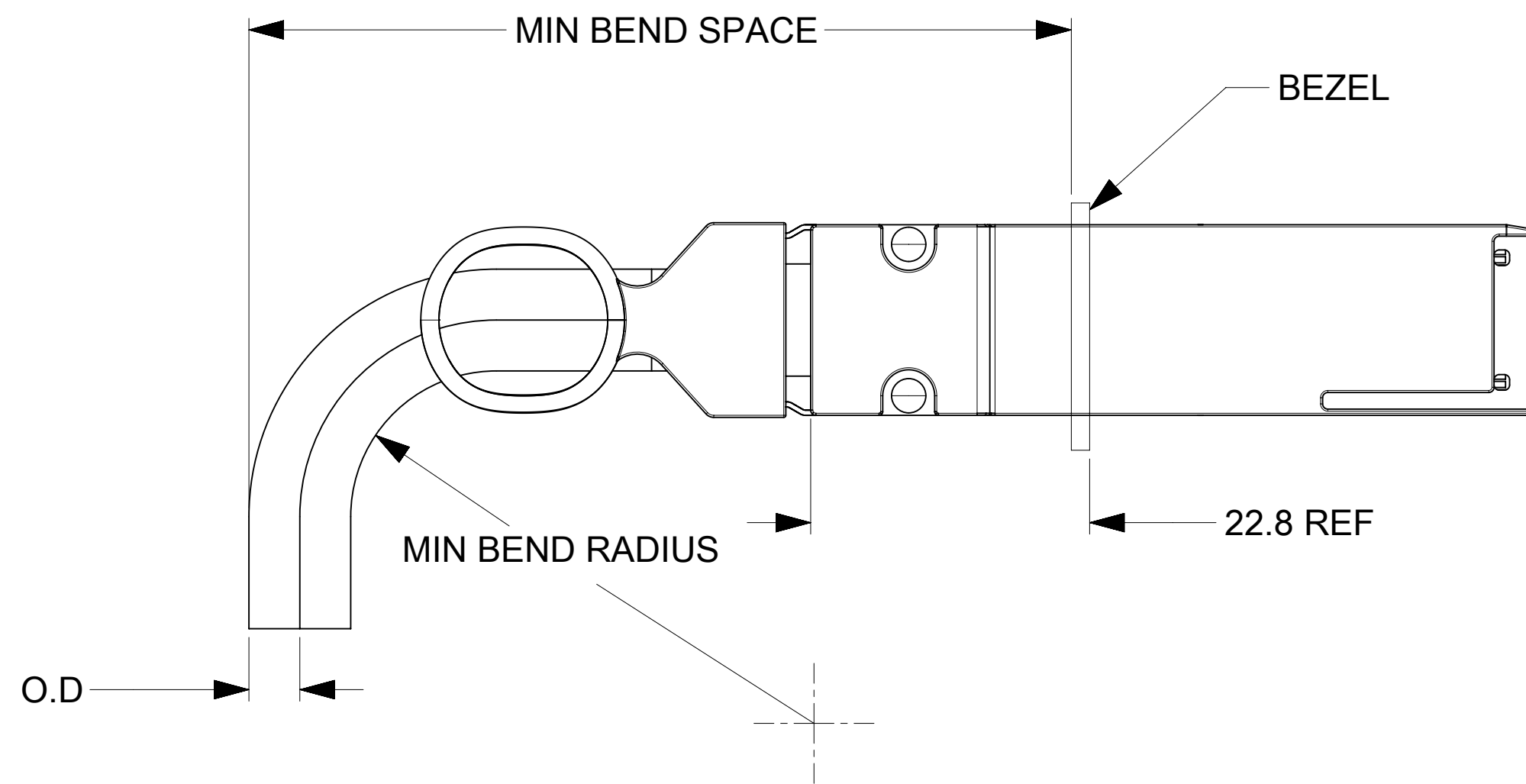
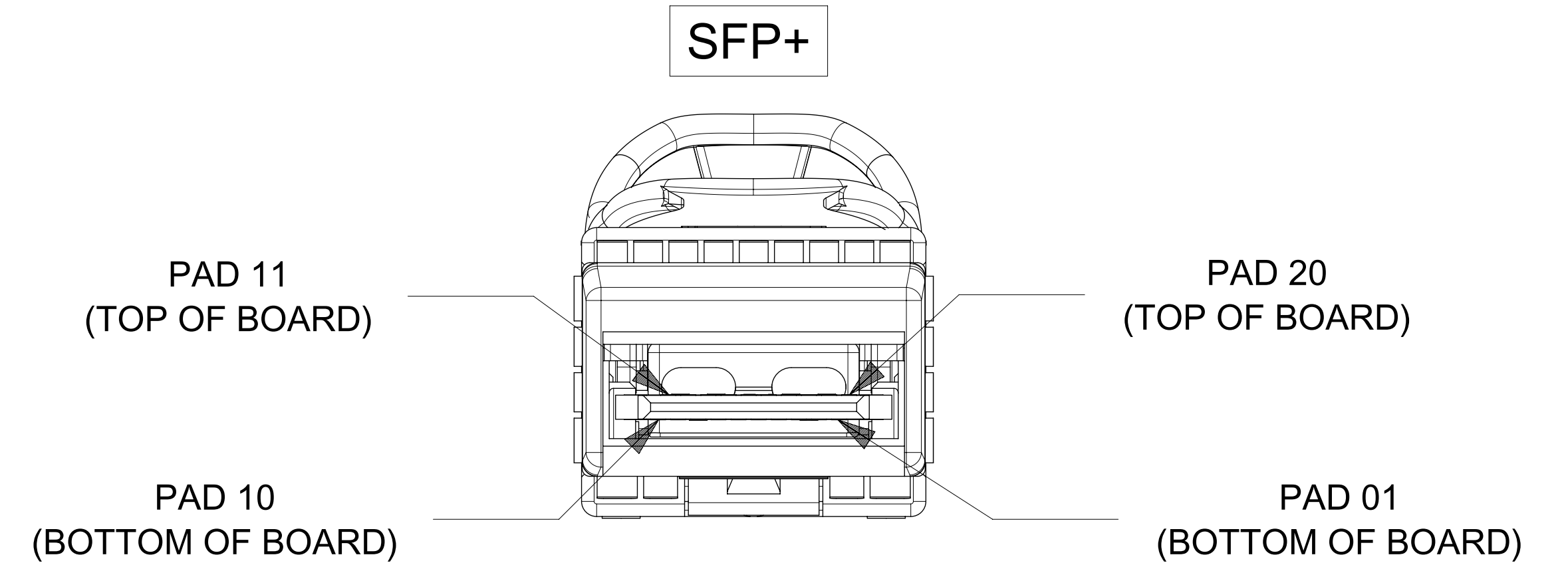
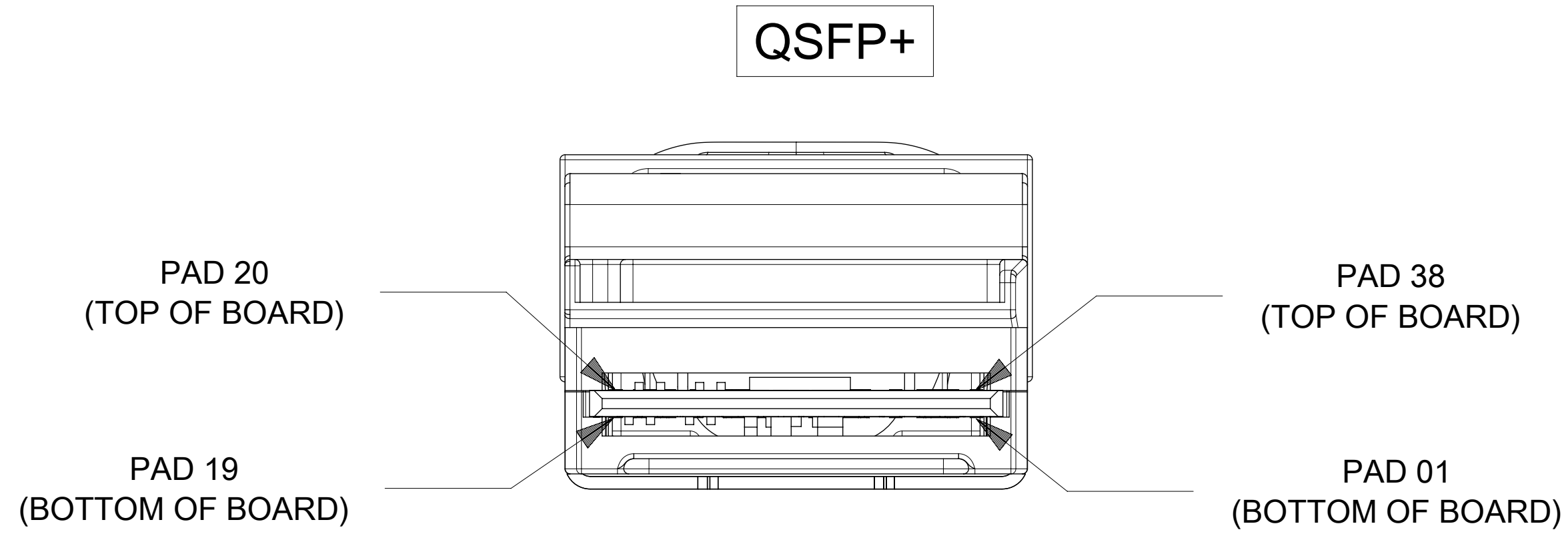




WIRING DIAGRAM				
QSFP+		SFP+		PLUG
PAD	SIGNAL	SIGNAL	PAD	
38	GND	----	GND	A
37	TX1-	--->	RD-	
36	TX1+	--->	RD+	
16	GND	----	GND	
17	RX1+	<---	TD+	B
18	RX1-	<---	TD-	
04	GND	----	GND	
02	TX2-	--->	RD-	
03	TX2+	--->	RD+	C
23	GND	----	GND	
22	RX2+	<---	TD+	
21	RX2-	<---	TD-	
35	GND	----	GND	D
34	TX3-	--->	RD-	
33	TX3+	--->	RD+	
13	GND	----	GND	
14	RX3+	<---	TD+	
15	RX3-	<---	TD-	
07	GND	----	GND	
05	TX4-	--->	RD-	
06	TX4+	--->	RD+	
26	GND	----	GND	
25	RX4+	<---	TD+	
24	RX4-	<---	TD-	



LOW SPEED SIGNALS	
QSFP+	
PAD	SIGNAL
08	ModSelL
09	ResetL
10	VccRx
11	SCL
12	SDA
27	ModPrsL
28	IntL
29	VccTx
30	Vcc1
31	LPMODE

LOW SPEED SIGNALS	
SFP+	
PAD	SIGNAL
02	Tx_Fault
03	Tx_Disable
04	SDA
05	SCL
06	Mod_ABS
07	RS0
08	Rx_LOS
09	RS1
15	VccR
16	VccT

CABLE AWG	OD OF CBL BUNDLE	MIN BEND RADIUS (mm)	MIN BEND SPACE (mm)
30	8.4	21	52
28	9.4	23.5	55
26	10.4	26	59

CABLE AWG	OD	MIN BEND RADIUS (mm)	MIN BEND SPACE (mm)
30	4.2	21	38
28	4.7	23.5	41
26	5.2	26	44

<b>SYMBOLS</b> DIMENSION UNITS: mm SCALE: CURRENT REV DESC: UPDATED DRW VIEWS GENERAL TOLERANCES (UNLESS SPECIFIED) ANGULAR TOL: ± 1.0° 4 PLACES: ± 3 PLACES: ± 2 PLACES: ± 0.13 1 PLACE: ± 0.25 0 PLACES: ± DRAFT WHERE APPLICABLE MUST REMAIN WITHIN DIMENSIONS	EC NO: 625203 DRWN: JKUMARSARAFS 2019/09/27 CHK'D: JKUMARSARAFS 2019/10/07 APPR: KNAGANNA 2019/10/07				
	INITIAL REVISION: DRWN: EMEDINA02 2017/03/01 APPR: ARAYBURN 2017/03/14				PRODUCT CUSTOMER DRAWING DOCUMENT NUMBER: 747640001 DOC TYPE: PSD DOC PART: 000 REVISION: P1
	THIRD ANGLE PROJECTION 		SERIES: D-SIZE 74764 MATERIAL NUMBER: SEE PN TABLE CUSTOMER: GENERAL MARKET SHEET NUMBER: 2 OF 3		
	DIMENSION UNITS: mm SCALE: CURRENT REV DESC: UPDATED DRW VIEWS		EC NO: 625203 DRWN: JKUMARSARAFS 2019/09/27 CHK'D: JKUMARSARAFS 2019/10/07 APPR: KNAGANNA 2019/10/07		PRODUCT CUSTOMER DRAWING DOCUMENT NUMBER: 747640001 DOC TYPE: PSD DOC PART: 000 REVISION: P1

