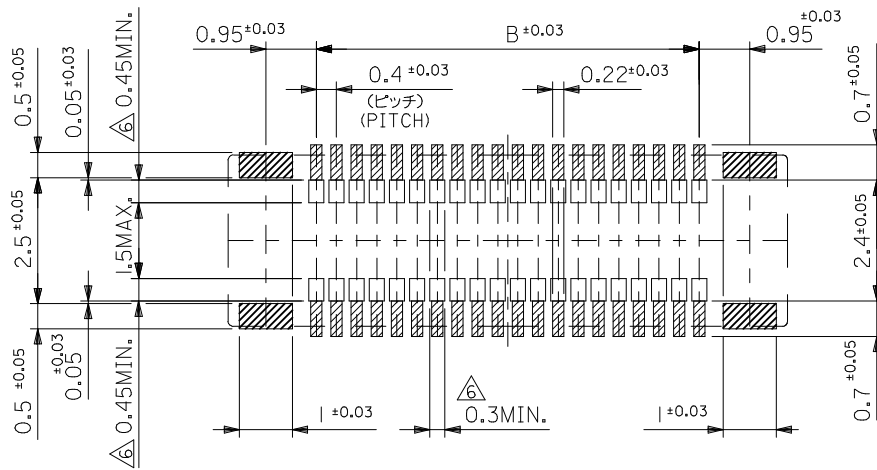


21.5	19.6	23.1	51338-1074	100
19.5	17.6	21.1	51338-0974	90
17.5	15.6	19.1	51338-0874	80
15.5	13.6	17.1	51338-0774	70
13.5	11.6	15.1	51338-0674	60
11.5	9.6	13.1	51338-0574	50
9.5	7.6	11.1	51338-0474	40
8.3	6.4	9.9	51338-3474	34
7.5	5.6	9.1	51338-0374	30
6.7	4.8	8.3	51338-2674	26
6.3	4.4	7.9	51338-2474	24
5.9	4.0	7.5	51338-2274	22
5.5	3.6	7.1	51338-0274	20
4.7	2.8	6.3	51338-1674	16
3.9	2.0	5.5	51338-9974	12
C	B	A	EMBOSSED TAPE PKG. ORDER No. オーダー番号	CKT.
CONNECTOR SERIES No.			51338-***9	

<b>REVISED</b> EC NO: J2013-0254 DRW:KTOYODA 2012/08/28 CHK:D:TASAKAWA 2012/08/28 APPR:TASAKAWA 2012/08/31	GENERAL TOLERANCES (UNLESS SPECIFIED)		DIMENSION STYLE <b>MM ONLY</b>		SCALE ---	DESIGN UNITS <b>METRIC</b>	THIRD ANGLE PROJECTION	
	10 UNDER ± ---	10 OVER 30 UNDER ± ---	30 OVER ± ---	DRAWN BY M. NINOMIYA	DATE 2004/03/17	TITLE <b>0.4 B-TO-B REC ASSY            HGT=1.5 J-BEND TAIL            -LEAD FREE-</b>		
	ANGULAR ± --- °		DRAFT WHERE APPLICABLE MUST REMAIN WITHIN DIMENSIONS		CHECKED BY K. TOJO	DATE 2004/03/17	<b>molex</b>	
	MATERIAL NO.		<b>SEE CHART</b>		APPROVED BY M. SASAO	DATE 2004/03/17	DOCUMENT NO. <b>SD-51338-003</b>	SHEET NO. <b>1 OF 2</b>
SIZE <b>A3</b>		THIS DRAWING CONTAINS INFORMATION THAT IS PROPRIETARY TO MOLEX INCORPORATED AND SHOULD NOT BE USED WITHOUT WRITTEN PERMISSION						



参考基板レイアウト (マウント面)  
P.C.BOARD PATTERN DIMENSION (REFERENCE)  
(MOUNTING AREA)

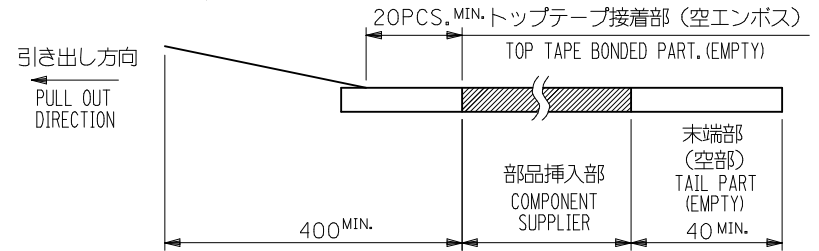
注記 NOTES:

1. 使用材料 MATERIAL  
ハウジング: 液晶ポリマー (LCP) ガラス充填 UL94V-0 (黒)  
HOUSING: LIQUID CRYSTAL POLYMER (GLASS FILLED)  
UL94V-0 (COLOR: BLACK)  
ターミナル: リン青銅 (t=0.15)  
TERMINAL: PHOSPHOR BRONZE (t=0.15)  
金具: リン青銅 (t=0.15)  
FITTING NAIL: PHOSPHOR BRONZE (t=0.15)
2. メッキ仕様 PLATING  
ターミナル TERMINAL  
金メッキ 0.2マイクロメートル以上 (コンタクト部)  
GOLD 0.2 MICROMETER MINIMUM (CONTACT AREA)  
金メッキ 0.4マイクロメートル以下 (テール部)  
GOLD 0.4 MICROMETER MAXIMUM (TAIL AREA)  
下地メッキ: ニッケルメッキ 1.5マイクロメートル以上  
UNDER PLATING: NICKEL 1.5 MICROMETER MINIMUM  
\*コンタクト部とテール部はニッケルメッキによって分断されている金メッキです。  
DIVIDE INTO PARTS THE GOLD PLATING OF THE CONTACT AND THE TAIL PART BY THE NICKEL PLATING.  
金具 FITTING NAIL  
錫メッキ 1.0 マイクロメートル以上  
TIN PLATING 1.0 MICROMETER MINIMUM  
下地メッキ: ニッケルメッキ 1.0 マイクロメートル以上  
UNDER PLATING: NICKEL 1.0 MICROMETER MINIMUM
3. (全極数/2) = 偶数の場合に適用。  
APPLY FOR (CIRCUIT/2) = EVEN.
4. 嵌合相手: 55909シリーズ  
MATE WITH: 55909 SERIES.
5. テール平坦度は、0.08以下  
テール及び金具の平坦度は、0.1以下  
TAIL COPLANARITY TO BE 0.08 MAXIMUM  
TAIL AND FITTING NAIL COPLANARITY TO BE 0.1 MAXIMUM
6. 同一回路以外のパターン書込み禁止範囲を示す。  
NO PRINT CIRCUIT AREA OTHER THAN THE SAME CIRCUIT.
7. 本製品は 51338-\*\*\*3 の鉛フリー品である。  
THIS PRODUCT IS LEAD FREE OF 51338-\*\*\*3.

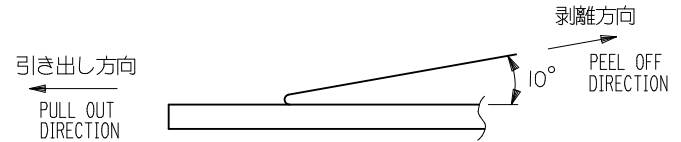
SEE SHEET 1 OF 2 EC NO: J2013-0254 DRWK: TOYODA 2012/08/28 CHKD: TASAKAWA 2012/08/28 APPR: TASAKAWA 2012/08/31	GENERAL TOLERANCES (UNLESS SPECIFIED)		DIMENSION STYLE MM ONLY		51338-***9		MODEL NO.	
	10 UNDER ±---		DRAWN BY DATE M. NINOMIYA 2004/03/17		SCALE ---	DESIGN UNITS METRIC	THIRD ANGLE PROJECTION	
	10 OVER 30 UNDER ±---		CHECKED BY DATE K. TOJO 2004/03/17		TITLE 0.4 B-TO-B REC ASSY HGT=1.5 J-BEND TAIL -LEAD FREE-			
	30 OVER ±---		APPROVED BY DATE M. SASAO 2004/03/17					
ANGULAR ±---°		MATERIAL NO. SEE SHEET 1		DOCUMENT NO. SD-51338-003		SHEET NO. 2 OF 2		
DRAFT WHERE APPLICABLE MUST REMAIN WITHIN DIMENSIONS		SIZE A3		THIS DRAWING CONTAINS INFORMATION THAT IS PROPRIETARY TO MOLEX INCORPORATED AND SHOULD NOT BE USED WITHOUT WRITTEN PERMISSION				

NOTES

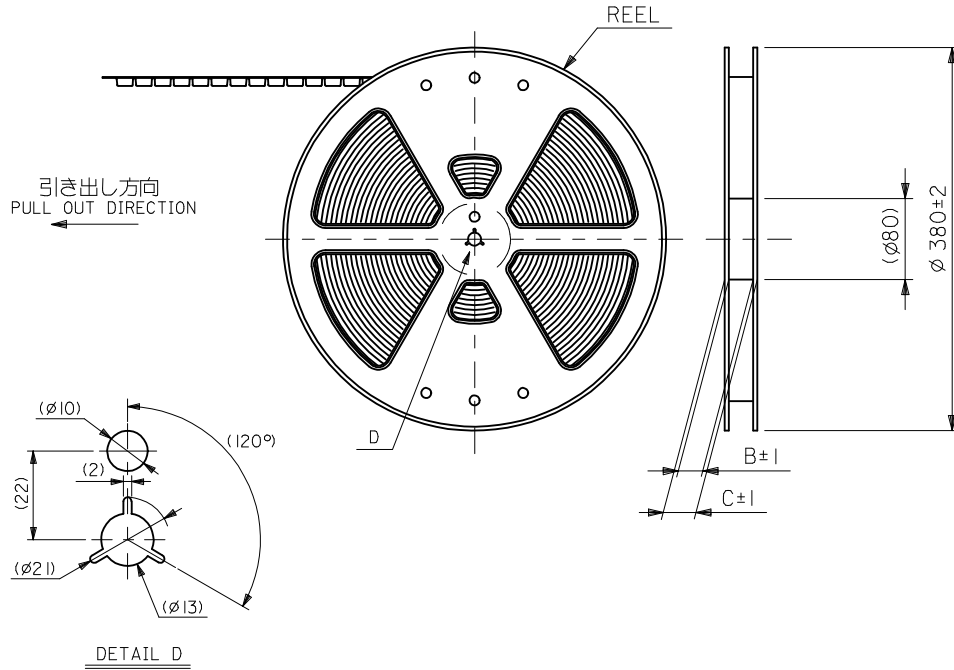
- 製品詳細寸法については製品単体図面を参照下さい。  
RE DETAILED DIMENSION, SEE PRODUCT DRAWING.
- 梱包数量：2500個/リール  
NUMBER OF CONNECTORS : 2500PCS/REEL
- リードテープ長さ LEAD TAPE LENGTH



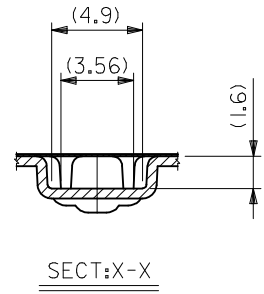
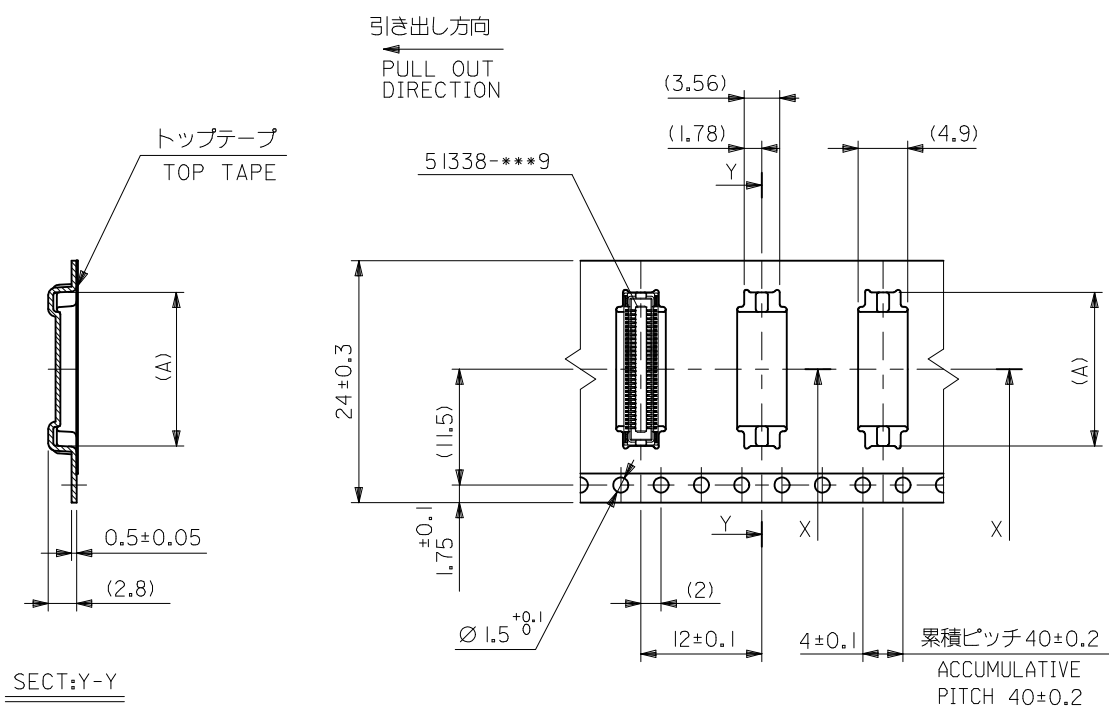
- トップテープの剥離強度：0.1N ~ 1.3N (10gf ~ 130gf)  
(剥離方向は下図参照)  
尚、本規格値は出荷時に適用。(但し、輸送時に剥離が発生しないこと。)  
PEELING OFF FORCE OF TOP TAPE : 0.1N ~ 1.3N (10gf ~ 130gf)  
(PEELING DIRECTION AS SHOWN IN FOLLOWING FIG.)  
THIS REQUIREMENT SHOULD BE APPLIED AT SHIPMENT.  
PEEL OFF SHOULD NOT BE ALLOWED, DURING TRANSPORTATION.



- 材料  
キャリアテープ (CARRIER TAPE) : ポリプロピレン (POLYPROPYLENE)  
トップテープ (TOPTAPE) : PET, PE, PEF  
リール (REEL) : ポリスチレン (PS) <リサイクル材を含む>  
POLYSTYRENE (PS) <RECYCLE MATERIAL CONTAINED>
- 本製品は 51338-\*\*\*\*4 の鉛フリー品である。  
THIS PRODUCT IS LEAD FREE OF 51338-\*\*\*\*4.
- ELV 及び RoHS 適合品。  
ELV AND RoHS COMPLIANT.



REVISED EC NO: J2013-0254 DRWN: KTOYODA 2012/08/28 CHKD: TASAKAWA 2012/08/28 APPR: TASAKAWA 2012/08/31	DESCRIPTION REV	GENERAL TOLERANCES (UNLESS SPECIFIED)		DIMENSION STYLE MM ONLY		SCALE ---	DESIGN UNITS METRIC	THIRD ANGLE PROJECTION		
		10 UNDER	±---	DRAWN BY M. NINOMI	DATE 2004/03/17	TITLE 0.4 B-TO-B CONN. REC ASSY(HGT=1.5) EMBSTP PKG				
		10 OVER 30 UNDER	±---	CHECKED BY K. TOJO	DATE 2004/03/17	molex SD-51338-004 SHEET NO. 1 OF 4				
		30 OVER	±---	APPROVED BY M. SASAO	DATE 2004/03/17					
ANGULAR ±---°		DRAFT WHERE APPLICABLE MUST REMAIN WITHIN DIMENSIONS		MATERIAL NO. SEE CHART		DOCUMENT NO. SD-51338-004				
SIZE A3		THIS DRAWING CONTAINS INFORMATION THAT IS PROPRIETARY TO MOLEX INCORPORATED AND SHOULD NOT BE USED WITHOUT WRITTEN PERMISSION								

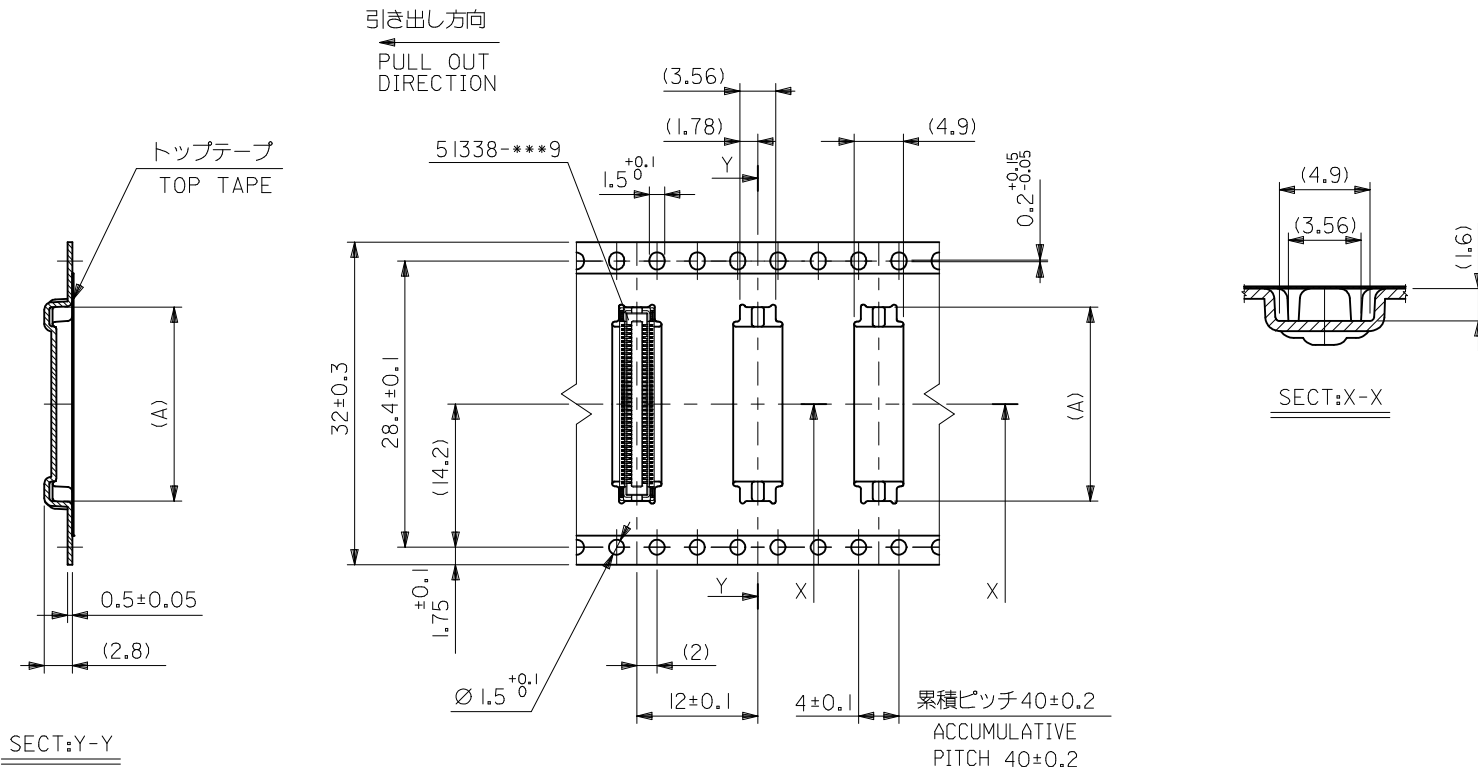


24mm幅キャリアテープ  
24mm WIDTH CARRIER TAPE

24	29.4	25.4	15.26	51338-0674	60
			13.26	51338-0574	50
			11.26	51338-0474	40
			10.06	51338-3474	34
			9.26	51338-0374	30
			8.46	51338-2674	26
			8.06	51338-2474	24
			7.66	51338-2274	22
			7.26	51338-0274	20
			6.46	51338-1674	16
5.66	51338-9974	12			
キャリアテープ幅 CARRIER TAPE WIDTH			C	B	(A)
			EMBOSSED PACKAGE		CKT.
			ORDER NO. オ-ダ-番号		

CONNECTOR SERIES No. 51338-\*\*\*9

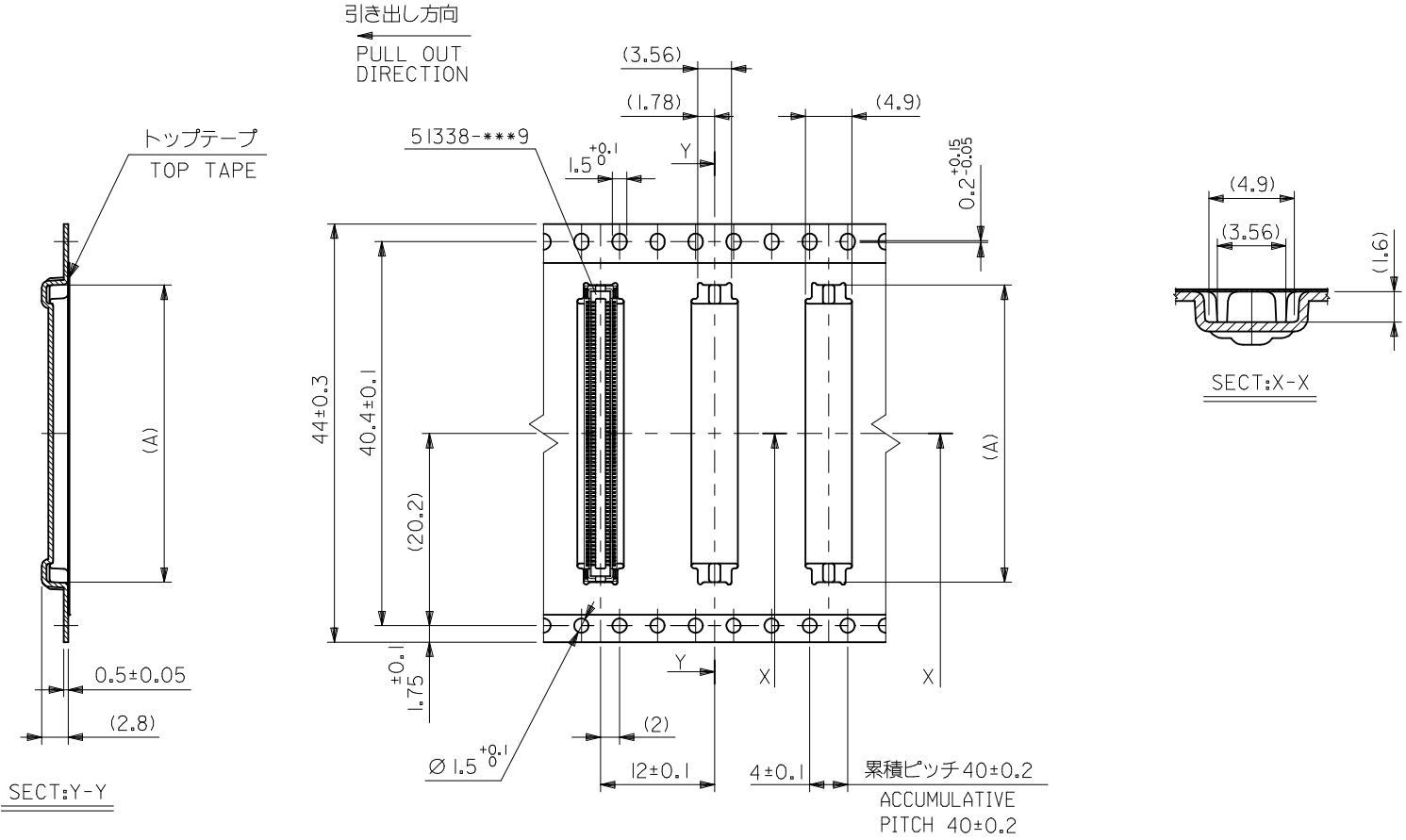
SEE SHEET 1 OF 4 EC NO.: J2013-0254 DRWNG: TOYODA 2012/08/28 CHKD: TASAKAWA 2012/08/28 APPR: TASAKAWA 2012/08/31	DESCRIPTION GENERAL TOLERANCES (UNLESS SPECIFIED) 10 UNDER ± --- 10 OVER 30 UNDER ± --- 30 OVER ± --- ANGULAR ± --- ° DRAFT WHERE APPLICABLE MUST REMAIN WITHIN DIMENSIONS	DIMENSION STYLE MM ONLY	SCALE ---	DESIGN UNITS METRIC	TITLE 0.4 B-T0-B CONN. REC ASSY(HGT=1.5) EMBSTP PKG molex SD-51338-004 SHEET NO. 2 OF 4	
		DRAWN BY M. NINOMI	DATE 2004/03/17	THIRD ANGLE PROJECTION		
		CHECKED BY K. TOJO	DATE 2004/03/17	SEE SHEET		
		APPROVED BY M. SASAO	DATE 2004/03/17	MATERIAL NO.		DOCUMENT NO.



32mm幅キャリアテープ  
32mm WIDTH CARRIER TAPE

32	37.4	33.4	21.26	51338-0974	90
			19.26	51338-0874	80
			17.26	51338-0774	70
キャリアテープ幅 CARRIER TAPE WIDTH		C	B	(A)	EMBOSSED PACKAGE ORDER NO. オ-ダ-番号
			CONNECTOR SERIES No. 51338-***9		
			CTK.		

SEE SHEET 1 OF 4 EC NO: J2013-0254 DRW:KTOYODA 2012/08/29 CHK:D:TASAKAWA 2012/08/29 APPR:TASAKAWA 2012/08/31	GENERAL TOLERANCES (UNLESS SPECIFIED)	DIMENSION STYLE MM ONLY	SCALE ---	DESIGN UNITS METRIC	THIRD ANGLE PROJECTION	
	10 UNDER ± --- 10 OVER 30 UNDER ± --- 30 OVER ± --- ANGULAR ± --- °	DRAWN BY M. NINOMI DATE 2004/03/17 CHECKED BY K. TOJO DATE 2004/03/17 APPROVED BY M. SASAO DATE 2004/03/17	TITLE 0.4 B-TO-B CONN. REC ASSY(HGT=1.5) EMBSTP PKG			
	DRAFT WHERE APPLICABLE MUST REMAIN WITHIN DIMENSIONS	SEE CHART	MATERIAL NO.	DOCUMENT NO. SD-51338-004	SHEET NO. 3 OF 4	
	THIS DRAWING CONTAINS INFORMATION THAT IS PROPRIETARY TO MOLEX INCORPORATED AND SHOULD NOT BE USED WITHOUT WRITTEN PERMISSION					



4.4mm幅キャリアテープ  
44mm WIDTH CARRIER TAPE

44	49.4	45.4	23.26	51338-1074	100
キャリアテープ幅 CARRIER TAPE WIDTH	C	B	(A)	EMBOSSED PACKAGE ORDER NO. オ-ダ-番号	CKT.

CONNECTOR SERIES No. 51338-\*\*\*9

SEE SHEET 1 OF 4 EC NO: J2013-0254 DRWNK:TOYODA 2012/08/28 CHKD:TASAKAWA 2012/08/28 APPR:TASAKAWA 2012/08/31	GENERAL TOLERANCES (UNLESS SPECIFIED)		DIMENSION STYLE MM ONLY		SCALE ---		DESIGN UNITS METRIC		THIRD ANGLE PROJECTION	
	10 UNDER	±---	DRAWN BY	DATE	TITLE					
	10 OVER 30 UNDER	±---	M. NINOMI	2004/03/17	0.4 B-TO-B CONN. REC ASSY(HGT=1.5) EMBSTP PKG					
	30 OVER	±---	CHECKED BY	DATE	APPROVED BY					
ANGULAR	±---°	K. TOJO	2004/03/17	M. SASAO 2004/03/17						
DRAFT WHERE APPLICABLE MUST REMAIN WITHIN DIMENSIONS		SEE CHART		MATERIAL NO.		DOCUMENT NO.		SHEET NO.		
		SIZE A3		THIS DRAWING CONTAINS INFORMATION THAT IS PROPRIETARY TO MOLEX INCORPORATED AND SHOULD NOT BE USED WITHOUT WRITTEN PERMISSION						



SD-51338-004

4 OF 4