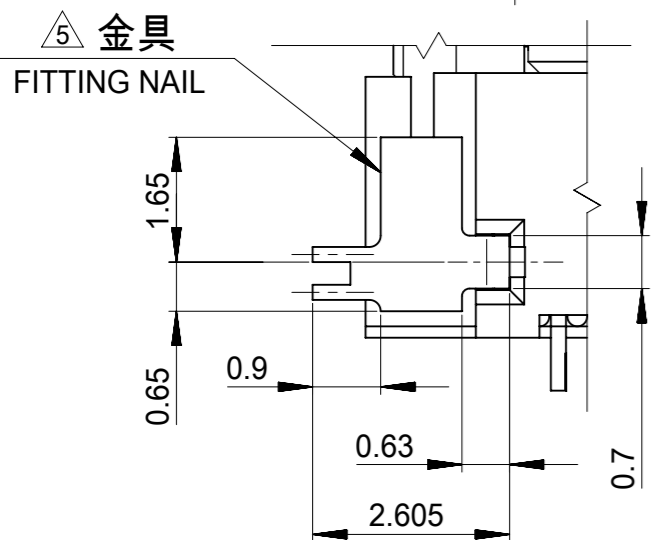
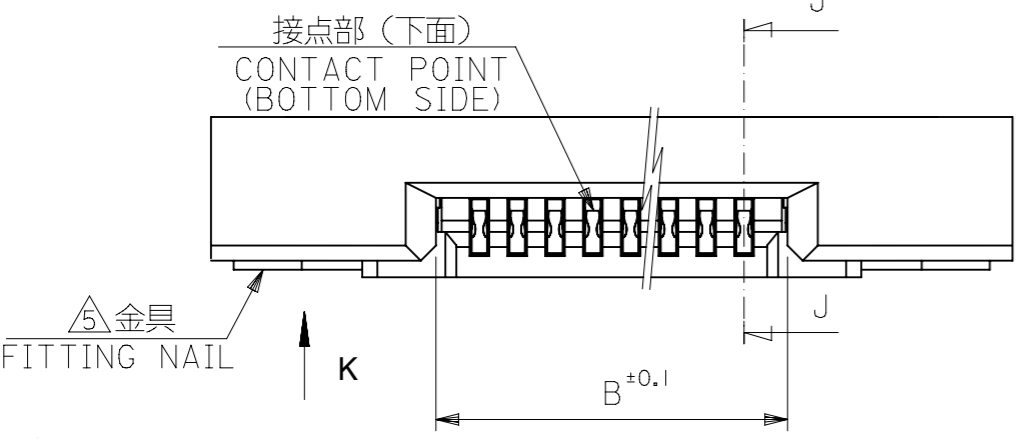
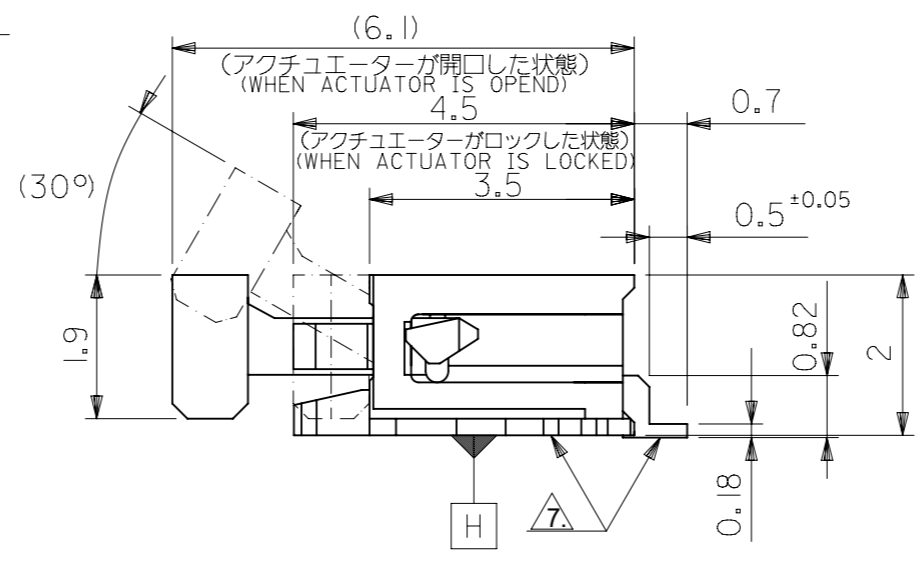
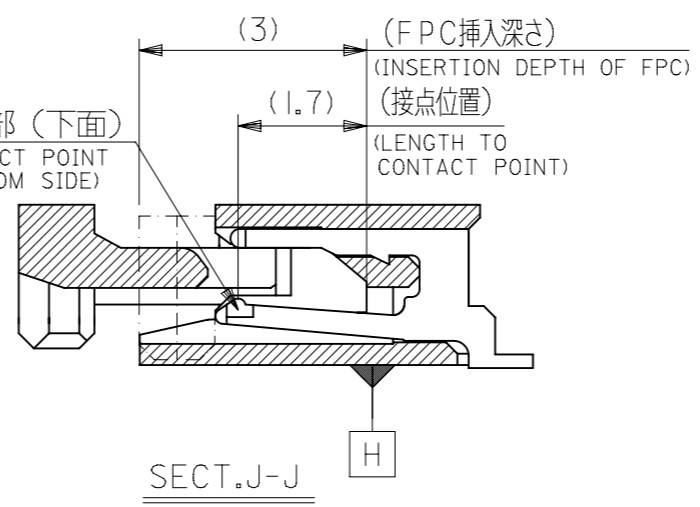
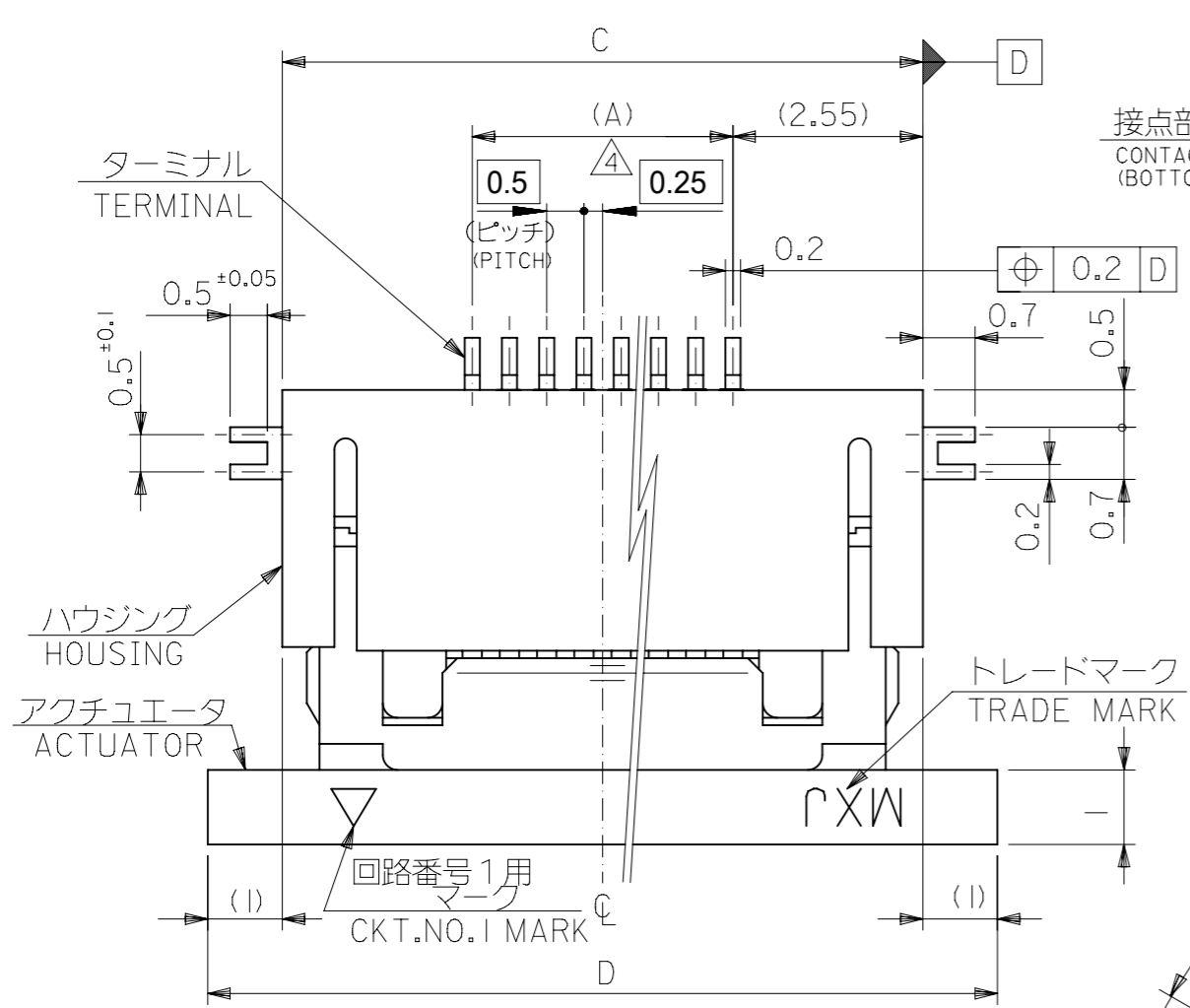


NOTES

- 1.使用材料
 MATERIAL
 ハウジング: ポリアミド(PA)、ナチュラル(白色)、ガラス充填、UL94V-0
 HOUSING: POLYAMIDE NATURAL(WHITE)、GLASS FILLED,UL94V-0
 アクチュエータ: ポリフェニレンサルファイド(PPS)、ナチュラル(茶色)、ガラス充填、UL94V-0
 ACTUATOR: PPS,NATURAL(BROWN),GLASS FILLED,UL94V-0
 ターミナル: リン青銅(t=0.2)
 TERMINAL: PHOSPHOR BRONZE(t=0.2)
 金具: リン青銅(t=0.2)
 FITTING NAIL: PHOSPHOR BRONZE(t=0.2)
- 2.メッキ仕様 PLATING
 ターミナル TERMINAL
 錫銀ビスマスメッキ (1.0μm以上)
 TIN SILVER BISMUTH PLATING (1.0 MICROMETER MINIMUM)
 下地メッキ: ニッケルメッキ (1.0μm以上)
 UNDER PLATING: NICKEL PLATING (1.0 MICROMETER MINIMUM)
 金具 NAIL
 錫メッキ (1.0μm以上)
 TIN PLATING (1.0 MICROMETER MINIMUM)
 下地メッキ: ニッケルメッキ (1.0μm以上)
 UNDER PLATING: NICKEL PLATING (1.0 MICROMETER MINIMUM)
- 3.エンボステープ梱包時は、アクチュエータがロックした状態になります。
 IN THE PACKAGE,ACTUATOR OF PART NO.52437-**22 SHOULD BE LOCKED.
- △4 偶数極に適用
 APPLY FOR EVEN CIRCUIT.
- △5 パターン剥離止め金具
 FITTING NAIL FOR PREVENTION OF PEELING OF P.W.B. PATTERN.
- △6 R0.3は、FPCの導体部にかからないこと
 R0.3 MUST NOT BE OVERLAPED TO PATTERN OF FPC.
- △7 ソルダータール半田付け面のズレ量、及び金具半田付け面のズレ量は、基準面 H に対して上方向に0.1MAXIMUM、下方向に0.15MAXIMUMとする。
 MISALIGNMENT OF SOLDER TAILS AND FITTING NAILS FROM DATUM H. UPPER DIRECTION : 0.1 MAXIMUM LOWER DIRECTION : 0.15MAXIMUM
- 8.ELV及びRoHS適合品
 ELV AND RoHS COMPLIANT

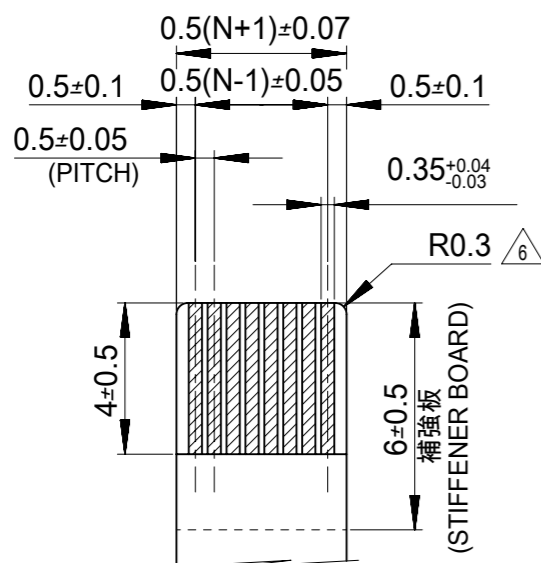


24.1	22.1	18.15	17.0	52437-3533	35
21.6	19.6	15.65	14.5	52437-3033	30
21.1	19.1	15.15	14.0	52437-2933	29
20.6	18.6	14.65	13.5	52437-2833	28
20.1	18.1	14.15	13.0	52437-2733	27
19.6	17.6	13.65	12.5	52437-2633	26
19.1	17.1	13.15	12.0	52437-2533	25
18.6	16.6	12.65	11.5	52437-2433	24
18.1	16.1	12.15	11.0	52437-2333	23
17.6	15.6	11.65	10.5	52437-2233	22
17.1	15.1	11.15	10.0	52437-2133	21
D	C	B	(A)	EMBOSSED PACKAGE	極数
					CTKT.

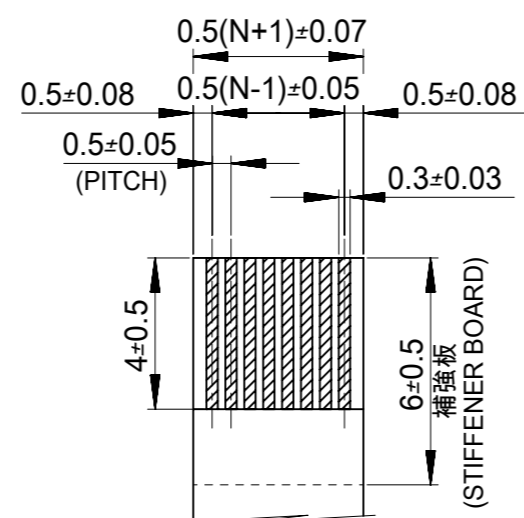
CONNECTOR SERIES NO. : 52437-**22

GENERAL TOLERANCES (UNLESS SPECIFIED)	
10 UNDER	± 0.2
10 OVER 30 UNDER	± 0.25
30 OVER	± 0.3
ANGULAR ± 3 °	
DRAFT WHERE APPLICABLE MUST REMAIN WITHIN DIMENSIONS	

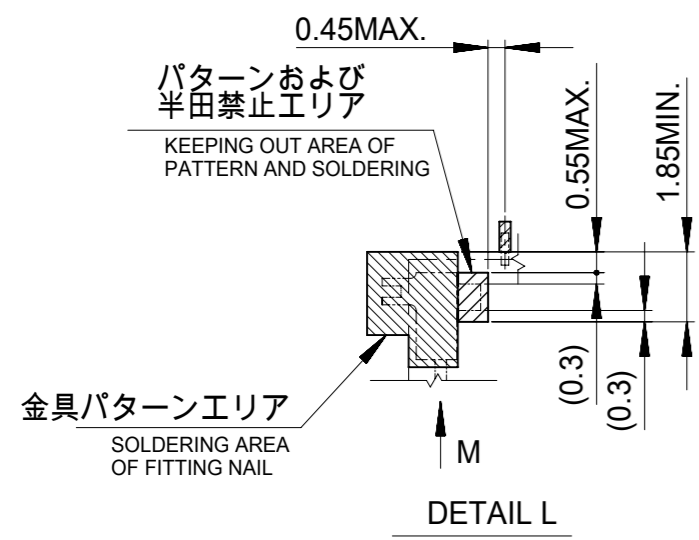
THIS DRAWING CONTAINS INFORMATION THAT IS PROPRIETARY TO MOLEX ELECTRONIC TECHNOLOGIES, LLC AND SHOULD NOT BE USED WITHOUT WRITTEN PERMISSION		CURRENT REV DESC:			
DIMENSION UNITS	SCALE				
mm	10:1			0.5MM FPC CONN ZIF R/A HOUSING ASSY (LOWER CONTACT)	
GENERAL TOLERANCES (UNLESS SPECIFIED)		EC NO: 600082		PRODUCT CUSTOMER DRAWING	
ANGULAR TOL ± 30 °		DRWN: YCHEN128 2018/03/02		DOCUMENT NUMBER	
4 PLACES ± 0.2		CHK'D: KTAKAHASHI 2018/03/14		SD-52437-023	
3 PLACES ± 0.25		APPR: NUKITA 2018/03/14		DOC TYPE	
2 PLACES ± 0.3		INITIAL REVISION:		DOC PART	
1 PLACE ±		DRWN: KMIYAHARA 2012/09/05		001	
0 PLACES ±		APPR: KMORIKAWA 2013/04/05		A	
DRAFT WHERE APPLICABLE MUST REMAIN WITHIN DIMENSIONS		THIRD ANGLE PROJECTION		MATERIAL NUMBER	
		DRAWING		CUSTOMER	
		A3-SIZE		GENERAL MARKET	
		SERIES		SHEET NUMBER	
		52437		1 OF 2	



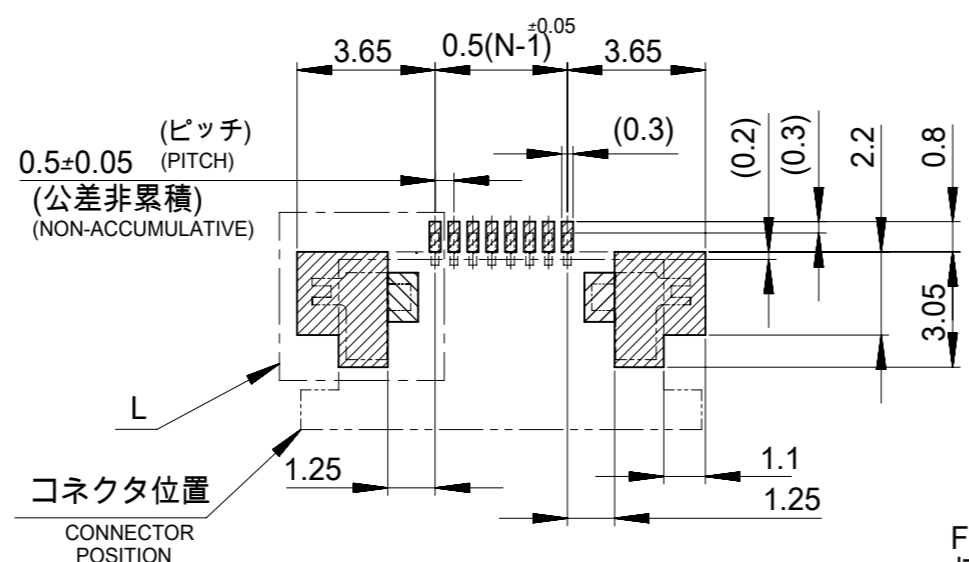
適合FPC推奨寸法
 APPLICABLE FPC
 PLATING RECOMMENDED DIMENSION
 仕上がり厚さ : 0.3±0.05
 THICKNESS: 0.3±0.05/-0.05



適合FFC推奨寸法
 APPLICABLE FFC
 PLATING RECOMMENDED DIMENSION
 仕上がり厚さ : 0.3±0.05
 THICKNESS: 0.3±0.05/-0.05

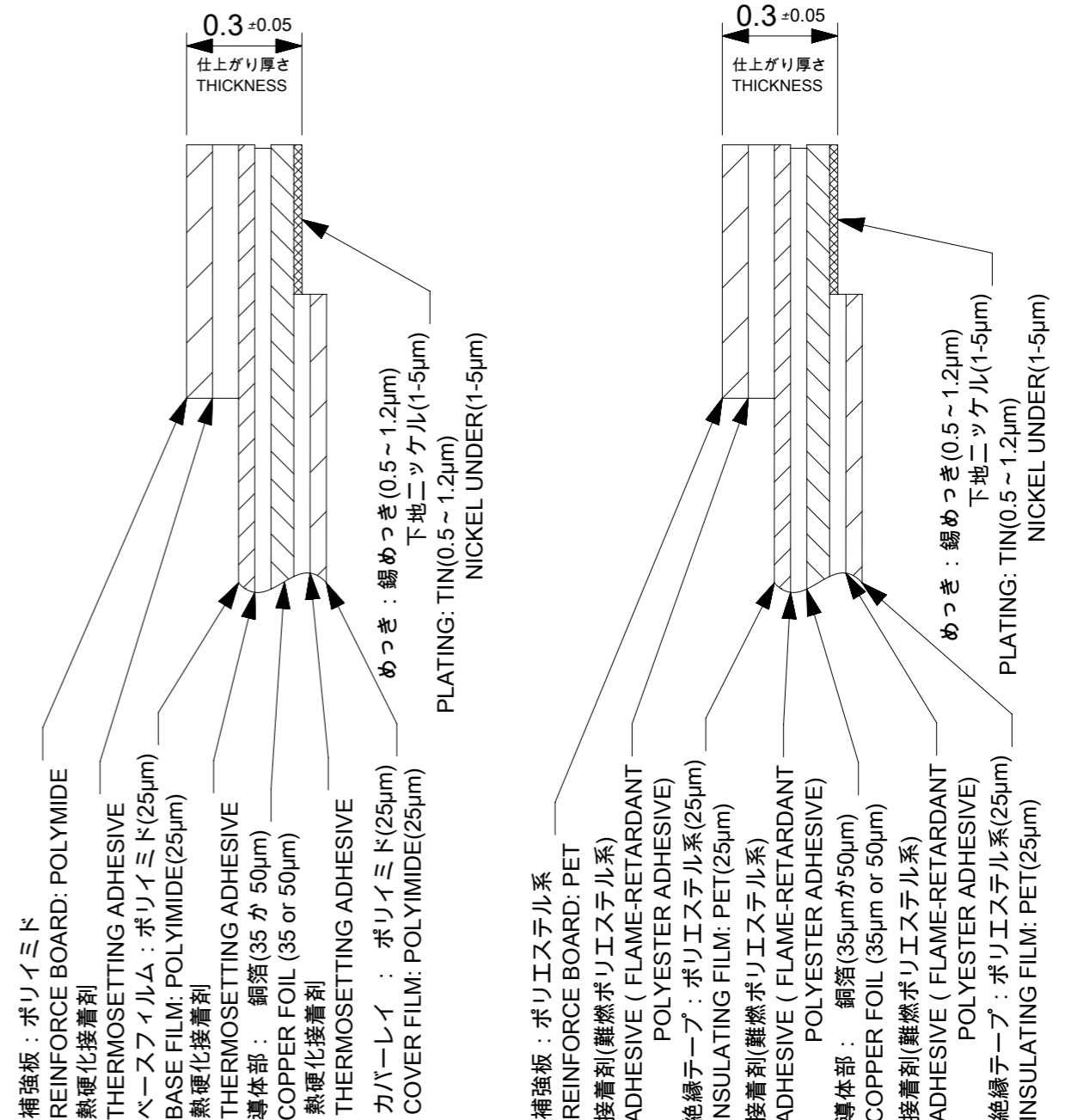


DETAIL L
 (DETAIL OF FITTING NAIL ON PATTERN)



推奨基板レイアウト
 (マウンド面)
 RECOMMENDED P.C. BOARD
 PATTERN DIMENSION
 (MOUNTING SIDE)

マスク厚 : 100µm
 マスク開口率 : 100%
 SCREEN THICKNESS : 100µm
 SCREEN OPEN RATIO : 100%



FPC構成推奨仕様
 STRUCTURE OF FPC

FFC構成推奨仕様
 STRUCTURE OF FFC

FPC/FFCについて ABOUT FPC/FFC
 打ち抜き方向は導体側から補強板側を推奨します。
 接着剤の接点部への付着は導通不良の原因になりますので、染み出しが無い様、お願い致します。
 RECOMMENDED PUNCHING DIRECTION: FROM CONDUCTOR SIDE TO STIFFENER SIDE
 PLEASE PUT APPROPRIATE AMOUNT OF ADHESIVE ON ADHEREND BECAUSE
 THERE IS A POSSIBILITY THAT THE EXTRA ADHESIVE CAUSES THE DEFECT IN
 ELECTRICAL CONTINUITY.

GENERAL TOLERANCES (UNLESS SPECIFIED)	
10 UNDER	± 0.2
10 OVER 30 UNDER	± 0.25
30 OVER	± 0.3
ANGULAR	± 3 °
DRAFT WHERE APPLICABLE MUST REMAIN WITHIN DIMENSIONS	

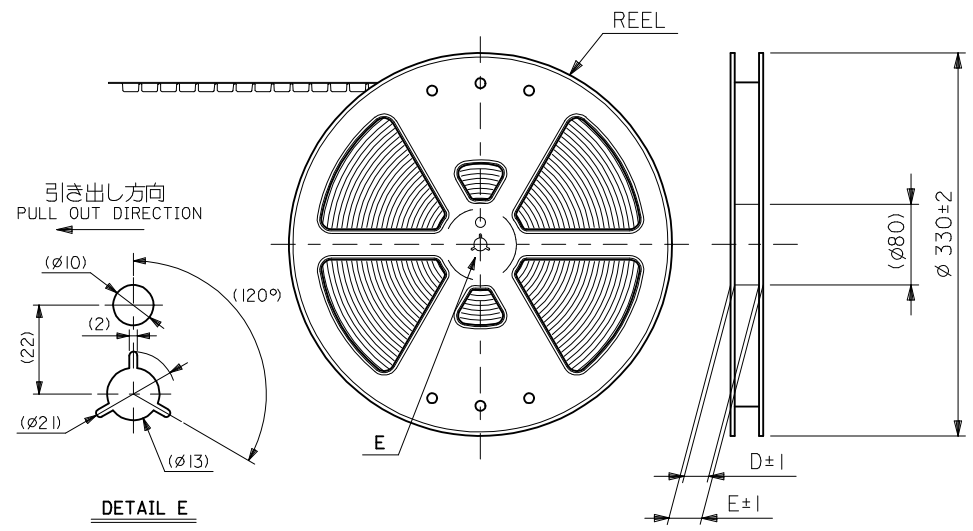
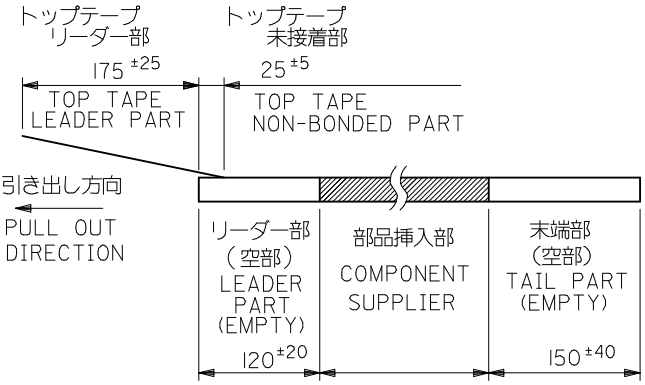
DIMENSION UNITS		SCALE		CURRENT REV DESC:				molex					
mm		5:1		EC NO: 600082				0.5MM FPC CONN ZIF R/A HOUSING ASSY (LOWER CONTACT)					
GENERAL TOLERANCES (UNLESS SPECIFIED)		ANGULAR TOL ± 30 °		DRWN: YCHEN128		2018/03/02							
4 PLACES ± 0.2		3 PLACES ± 0.25		CHK'D: KTAKAHASHI		2018/03/14		PRODUCT CUSTOMER DRAWING					
2 PLACES ± 0.3		1 PLACE ±		APPR: NUKITA		2018/03/14		DOCUMENT NUMBER					
0 PLACES ±		DRAFT WHERE APPLICABLE MUST REMAIN WITHIN DIMENSIONS		INITIAL REVISION:		DRWN: KMIYAHARA		2012/09/05		SD-52437-023		DOC TYPE DOC PART REVISION	
THIRD ANGLE PROJECTION		DRAWING		APPR: KMORIKAWA		2013/04/05		PSD		001		A	
A3-SIZE		SERIES		MATERIAL NUMBER		CUSTOMER		SEE TABLE		GENERAL MARKET		SHEET NUMBER	
52437		52437		GENERAL MARKET		2 OF 2							

注記 NOTES

1. 製品番号52437-**-22の梱包状態はアクチュエータがロックした状態とする。
 製品の詳細寸法については図面SD-52437-023を参照下さい。
 IN THE PACKAGE, ACTUATOR OF PART NO. 52437-**-22 SHOULD BE LOCKED
 RE DETAILED DIMENSIONS, SEE SD-52437-023.

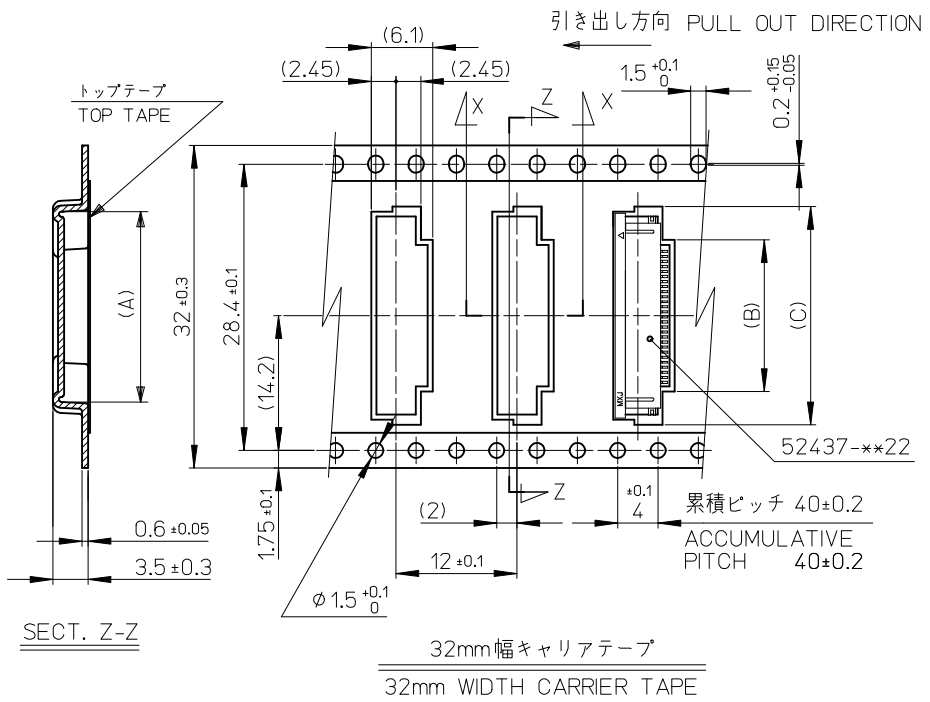
2. 梱包数量：1000個/リール
 NUMBER OF CONNECTORS:1000PCS/REEL

3. リードテープ長さ LEAD TAPE LENGTH

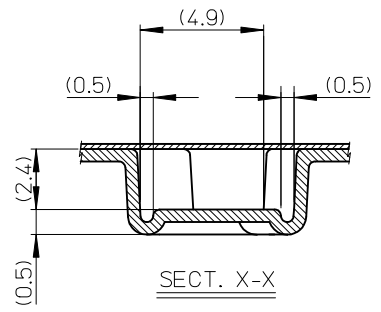


4. カバーテープの剥離強度については、IEC60286-3に準拠
 COVER TAPE PEEL FORCE IS DEFINED BY IEC 60286-3.
5. 材料 (MATERIAL)
 キャリアテープ (CARRIER TAPE) : ポリプロピレン (POLYPROPYLENE)
 トップテープ (TOPTAPE) : PET, PE, PEF
 リール (REEL) : ポリスチレン (PS) <リサイクル材を含む>
 POLYSTYREN (PS) <RECYCLE MATERIAL CONTAINED>
6. ELV及びRoHS適合品
 ELV AND RoHS COMPLIANT

RELEASED EC NO: J2013-1015 DRWN: AISHII 2012/09/10 CHKD: TAKAHASHI 2012/09/10 APPR: KMORIKAWA 2013/04/05	GENERAL TOLERANCES (UNLESS SPECIFIED)		DIMENSION STYLE MM ONLY		SCALE ---	DESIGN UNITS METRIC	THIRD ANGLE PROJECTION
	10 UNDER	±0.2	DRAWN BY AISHII	DATE 2012/09/10	TITLE EMBOSS TAPE PACKAGED FOR 0.5MM FPC CONN ZIF R/A HOUSING ASSY		
	10 OVER 30 UNDER	±0.25	CHECKED BY KTAKAHASHI	DATE 2012/09/10			
	30 OVER	±0.3	APPROVED BY KMORIKAWA	DATE 2013/04/05			
	ANGULAR ±3 °		MATERIAL NO.		DOCUMENT NO.		SHEET NO.
DRAFT WHERE APPLICABLE MUST REMAIN WITHIN DIMENSIONS		SEE CHART		SD-52437-024		1 OF 3	



SECT. Z-Z

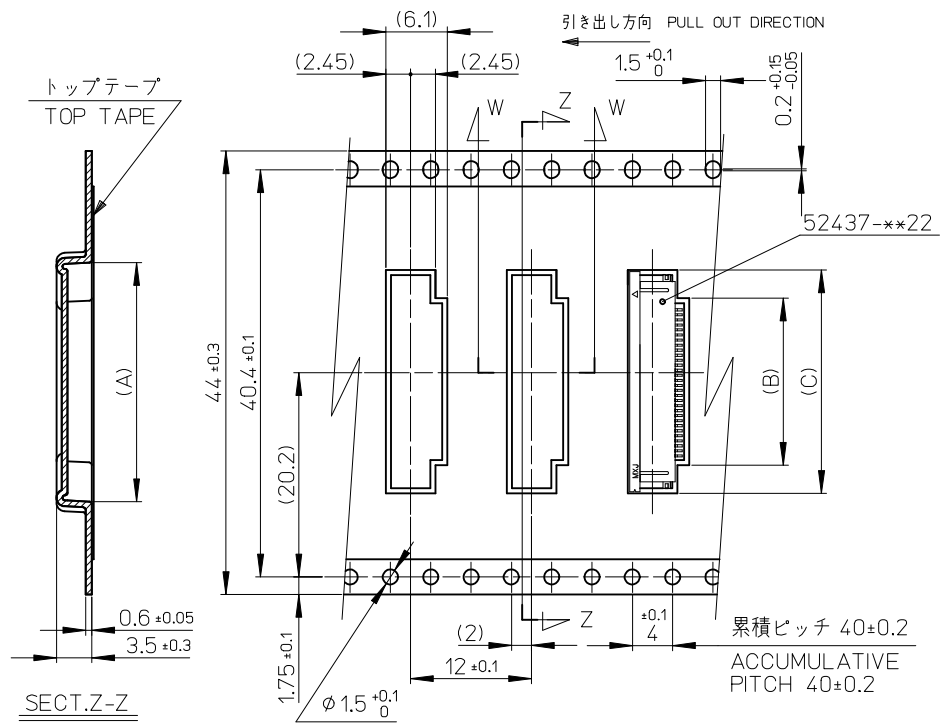


SECT. X-X

32	37.4	33.4	22.4	15.8	21.4	52437-2933	29
			21.9	15.3	20.9	-2833	28
			21.4	14.8	20.4	-2733	27
			20.9	14.3	19.9	-2633	26
			20.4	13.8	19.4	-2533	25
			19.9	13.3	18.9	-2433	24
			19.4	12.8	18.4	-2333	23
			18.9	12.3	17.9	52437-2233	22
キャリアテープ幅 CARRIER TAPE WIDTH	E	D	(C)	(B)	(A)	製品番号 MATERIAL NO	極数 CKT

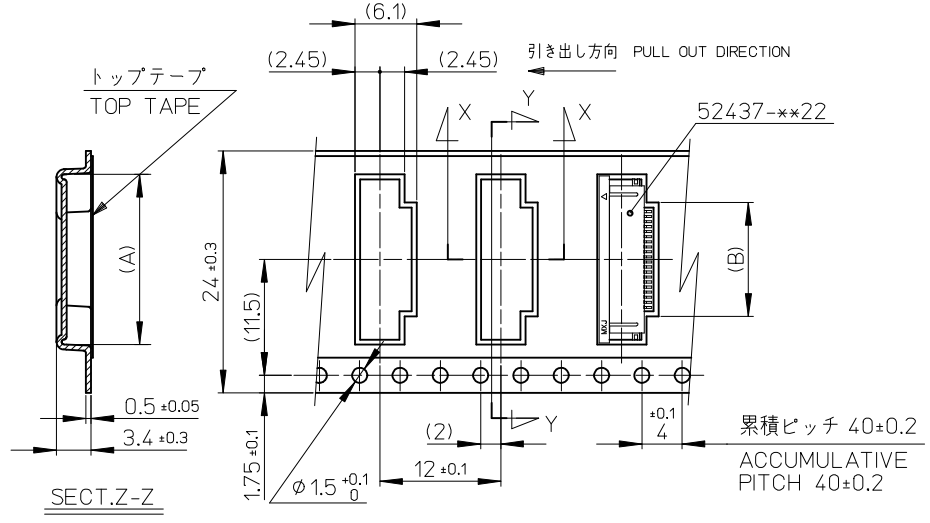
SEE SHEET 1 OF 3 EC NO: J2013-1015 DRW: AISHII 2012/09/13 CHKD: TAKAHASHI 2012/09/13 APPR: KMORIKAWA 2013/04/05	GENERAL TOLERANCES (UNLESS SPECIFIED)	10 UNDER ± ---	10 OVER 30 UNDER ± ---	30 OVER ± ---	ANGULAR ± --- °	DRAFT WHERE APPLICABLE MUST REMAIN WITHIN DIMENSIONS
	DIMENSION STYLE	MM ONLY		SCALE	---	
	DESIGN UNITS	METRIC		THIRD ANGLE PROJECTION	◎ □	
	DESCRIPTION	EMBOSS TAPE PACKAGED FOR 0.5MM FPC CONN ZIF R/A HOUSING ASSY				
	REV	0	SIZE	A3		

DRAWN BY	DATE	TITLE
AISHII	2012/09/13	EMBOSS TAPE PACKAGED FOR 0.5MM FPC CONN ZIF R/A HOUSING ASSY
CHECKED BY	DATE	
KTAKAHASHI	2012/09/13	
APPROVED BY	DATE	
KMORIKAWA	2013/04/05	
MATERIAL NO.	DOCUMENT NO.	SHEET NO.
SEE CHART	SD-52437-024	2 OF 3
THIS DRAWING CONTAINS INFORMATION THAT IS PROPRIETARY TO MOLEX INCORPORATED AND SHOULD NOT BE USED WITHOUT WRITTEN PERMISSION		



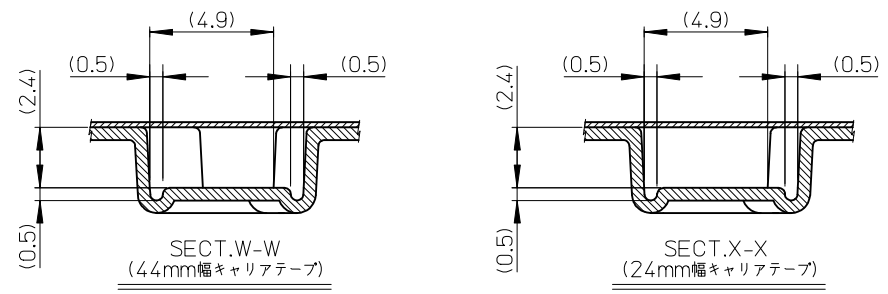
44mm幅キャリアテープ
44mm WIDTH CARRIER TAPE

44	49.4	45.4	25.4	18.8	24.4	52437-3533	35
			22.9	16.3	21.9	52437-3033	30
キャリアテープ幅 CARRIER TAPE WIDTH	E	D	(C)	(B)	(A)	製品番号 MATERIAL NO.	極数 CKT.



24mm幅キャリアテープ
24mm WIDTH CARRIER TAPE

24	29.4	25.4	11.8	17.4	52437-2133	21
キャリアテープ幅 CARRIER TAPE WIDTH	E	D	(B)	(A)	製品番号 MATERIAL NO.	極数 CKT.



SEE SHEET 1 OF 3	EC NO: J2013-1015	2012/09/13	GENERAL TOLERANCES (UNLESS SPECIFIED)		DIMENSION STYLE MM ONLY		SCALE ---	DESIGN UNITS METRIC	THIRD ANGLE PROJECTION
	DRW: AISHII	2012/09/13	10 UNDER	± ---	DRAWN BY AISHII	DATE 2012/09/13	TITLE EMBOSS TAPE PACKAGED FOR 0.5MM FPC CONN ZIF R/A HOUSING ASSY		
	CHKD: TAKAHASHI	2012/09/13	10 OVER 30 UNDER	± ---	CHECKED BY KTAKAHASHI	DATE 2012/09/13			
	APPR: KMORIKAWA	2013/04/05	30 OVER	± ---	APPROVED BY KMORIKAWA	DATE 2013/04/05	DOCUMENT NO. SD-52437-024		
REV O	DESCRIPTION	ANGULAR	± --- °	MATERIAL NO.	SEE CHART	SHEET NO. 3 OF 3			
DRAFT WHERE APPLICABLE MUST REMAIN WITHIN DIMENSIONS			THIS DRAWING CONTAINS INFORMATION THAT IS PROPRIETARY TO MOLEX INCORPORATED AND SHOULD NOT BE USED WITHOUT WRITTEN PERMISSION						