

TABLE OF CONTENTS	
SHEET NO.	SHEET DESCRIPTION
1	NOTES AND BOM
2	CONFIGURATIONS
3-4	KEY CONFIGURATIONS
5	BLADE SEALED ASSEMBLY
6	SYSTEM PACKAGING
7	BACKSHELL NOTES
8	BACKSHELL
9	BACKSHELL CONFIGURATIONS

NOTES: VALID UNLESS OTHERWISE SPECIFIED

1. GENERAL:  
a. APPLICATION SPECIFICATION SEE: AS-33472-100  
-CONTAINS: PRODUCT INTRODUCTION, PRODUCT SUMMARY, CONNECTOR ASSEMBLY, PACKAGING INFORMATION, CONNECTOR MATING, SERVICE INSTRUCTIONS, ELECTRICAL CONTINUITY CHECKING, CRIMPING, AND TROUBLESHOOTING.  
-DESIGNED TO MATE WITH RECEPTACLE SEALED ASSEMBLY AS SPECIFIED IN THE MATING CONNECTOR DRAWINGS CHART.  
\*DENOTES DRAWINGS THAT CAN BE ACCESSED AT <http://ewcap.uscarteams.org/>.  
-ASSEMBLY SHIPPED WITH PLR IN PRE-LOCK POSITION (SEE PLR PRE-LOCK VIEW SHEET 5).

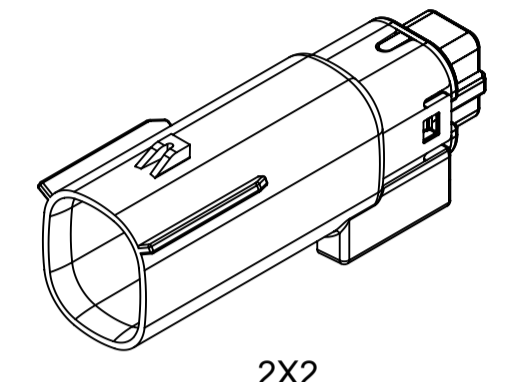
b. PRODUCT SPECIFICATION SEE:  
-STANDARD CONFIGURATION: PS-33472-000  
-UL V0 CONFIGURATION: TBD  
CONTAINS: PRODUCT INTRODUCTION, PRODUCT SUMMARY, RATINGS (CURRENT, TEMPERATURE, SEALING, AND FLAMMABILITY), TERMINALS, WIRE DIAMETER RANGE, PRODUCT VALIDATION, AND PRODUCT DEVIATIONS.

c. PACKAGING SPECIFICATION PER MOLEX DRAWING: PK-31300-635  
d. PARTS MUST BE IN COMPLIANCE TO MOLEX CHEMICAL SUBSTANCES FOR PRODUCTS AND PACKAGING SPECIFICATION: QEHS-699000-300  
e. DATA MUST BE SUBMITTED UNDER THE MOLEX PART NUMBER TO IMDS (COMPANY ID#13255)

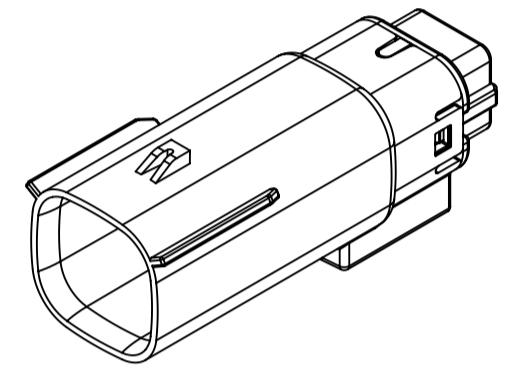
2. DESIGN - MATERIALS:  
a. FOR BILL OF MATERIALS SEE:  
-STANDARD CONFIGURATION: SD-33482-0002  
-UL V0 CONFIGURATION: SD-160084-0002

3. DESIGN - GEOMETRY:  
a. THE 3-D CAD DATA IS BASIC (WITHOUT TOLERANCE) AND MASTER FOR THIS PART WITH THE EXCEPTION OF UNDERLINED DIMENSIONS. DIMENSIONAL INFORMATION NOT SHOWN ON THIS DRAWING IS DEFINED BY THE DATA FILE AT ITS LATEST REVISION.  
b. GEOMETRIC DIMENSIONS AND TOLERANCES PER ASME Y14.5M-2009  
c. EDGES AND UNDIMENSIONED DETAILS PER ISO13715  
d. CORNERS SHOWN AS SHARP TO BE R 0.2 MAX.  
e. LETTERING SHALL BE 0.15 MAX RAISED IN 0.25 MAX RECESS PAD. THIS INCLUDES RECYCLING CODE, CAVITY ID, VENDOR IDENTIFICATION, AND CUSTOMER MATERIAL NUMBER.  
f. VISUAL DEFECTS SHALL MEET COSMETIC STANDARD PS-45499-002 (Class B).  
g. LASER MARKING:  
1. PART NUMBER  
2. DAY OF THE YEAR  
3. SHIFT  
4. YEAR  
FOR ADDITIONAL INFORMATION SEE SECTION 5 UNDER PROCEDURES IN ES-34735-008.

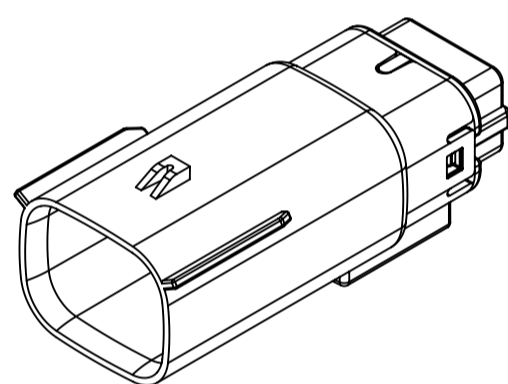
MATING CONNECTOR DRAWINGS	
DESCRIPTION	MOLEX INLINE
2X2	SD-33472-0001
2X3	SD-33472-0001
2X4	SD-33472-0001
2X6	SD-33472-0001
2X8	SD-33472-0001
2X10	SD-33472-0001



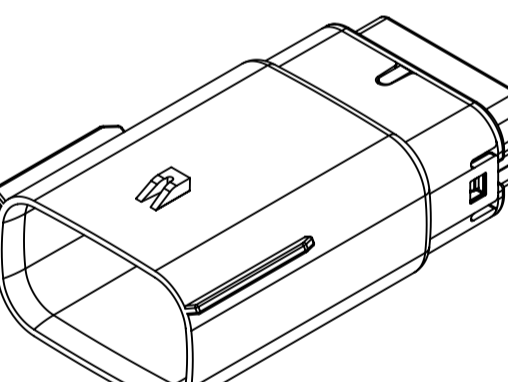
2X2



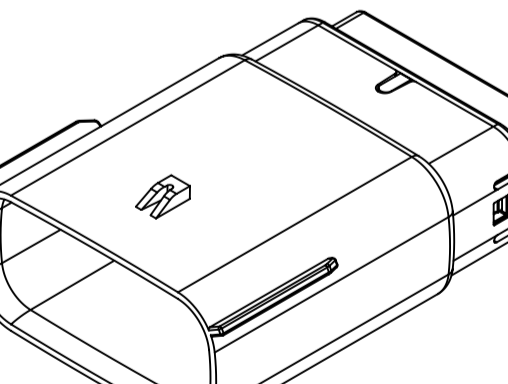
2X3



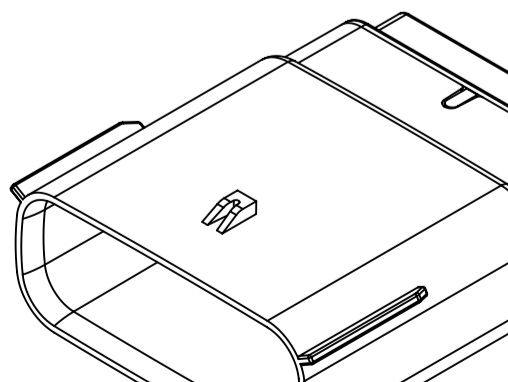
2X4



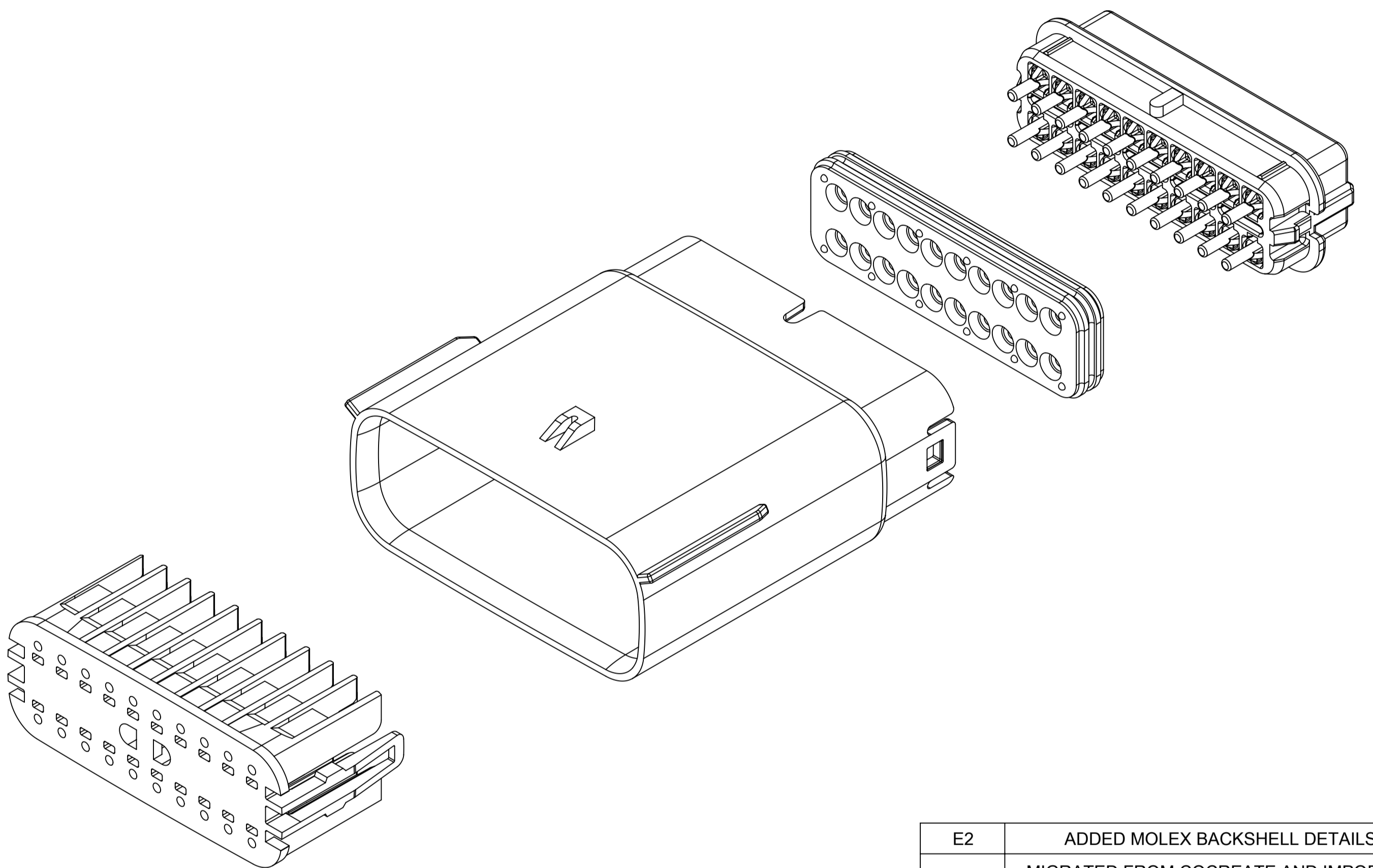
2X6



2X8



2X10

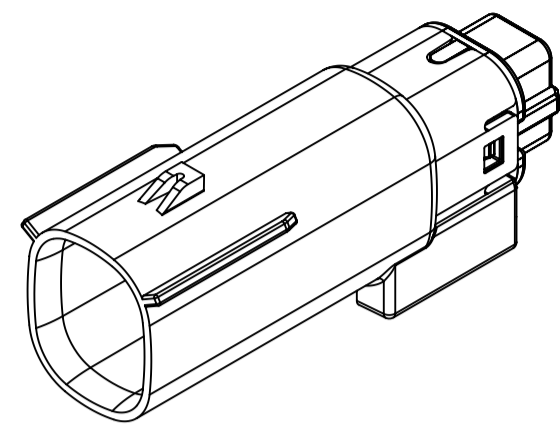


REV	REV DESCRIPTION
E2	ADDED MOLEX BACKSHELL DETAILS
E1	MIGRATED FROM COCREATE AND IMPORTED DXF FILES
E	ADDED CHARTED DIMENSIONS FOR 2X2, 2X4, 2X6 AND 2X8 WITH CLIPSLLOT
D	MINOR GEOMETRY CHANGE FOR UL V0
C3	ADD 2X4
C2	ADD 2X3
C1	ADD UL V0 CONFIGURATIONS
C	ADD 2X8
B1	ADD 2X6 BACKSHELL INFO
B	ADD 2X6
A	INITIAL RELEASE
REV	REV DESCRIPTION

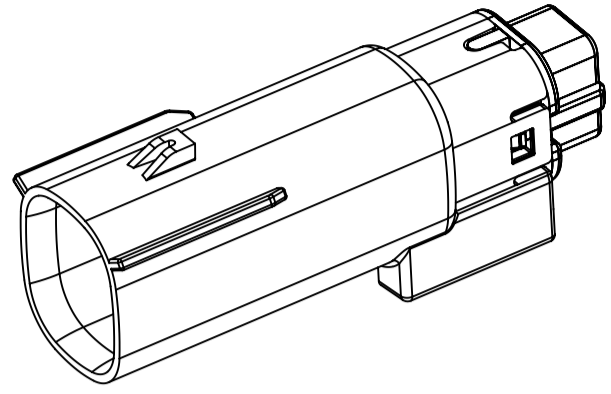
INSPECTION NUMBER LOG	
LAST NUMBER:	9
ADDED:	
REMOVED:	

<b>SYMBOLS</b> = 0 mm = 0 GENERAL TOLERANCES (UNLESS SPECIFIED) = 0 ANGULAR TOL ± 1.0° = 0 4 PLACES ± = 0 3 PLACES ± = 0 2 PLACES ± 0.1 = 0 1 PLACE ± 0.2 = 0 0 PLACES ± = 0 DRAFT WHERE APPLICABLE MUST REMAIN WITHIN DIMENSIONS	THIS DRAWING CONTAINS INFORMATION THAT IS PROPRIETARY TO MOLEX ELECTRONIC TECHNOLOGIES, LLC AND SHOULD NOT BE USED WITHOUT WRITTEN PERMISSION DIMENSION UNITS: mm SCALE: 1.5:1		<b>CURRENT REV DESC:</b> EC NO: 171650 DRWN: PMANJUNATHAC 2018/01/03 CHK'D: MVANSLAMBROU 2018/02/16 APPR: MVANSLAMBROU 2018/02/16		 MX150 BLADE DUAL ROW SEALED ASSEMBLY MAT SEAL	
	<b>INITIAL REVISION:</b> DRWN: APROFFITT 2014/04/28 APPR: VKOSHY 2014/05/14		PRODUCT CUSTOMER DRAWING			
	DOCUMENT NUMBER: SD-33482-0001		DOC TYPE: PSD DOC PART: 001 REVISION: E2		MATERIAL NUMBER: CUSTOMER: GENERAL MARKET SHEET NUMBER: 1 OF 11	
	DRAFT WHERE APPLICABLE MUST REMAIN WITHIN DIMENSIONS		THIRD ANGLE PROJECTION		DRAWING: A1-SIZE SERIES: 33482	

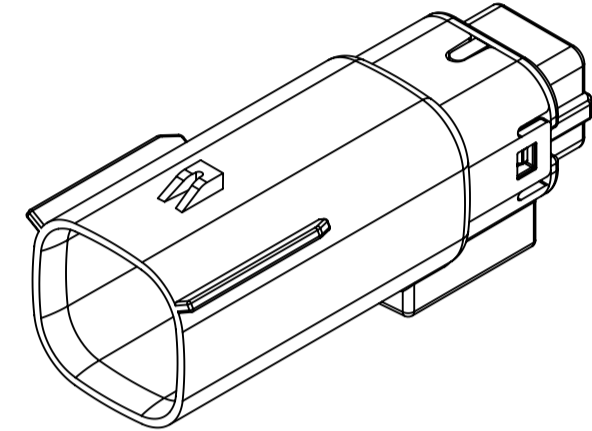
**SHEET DESCRIPTION**  
CONFIGURATIONS



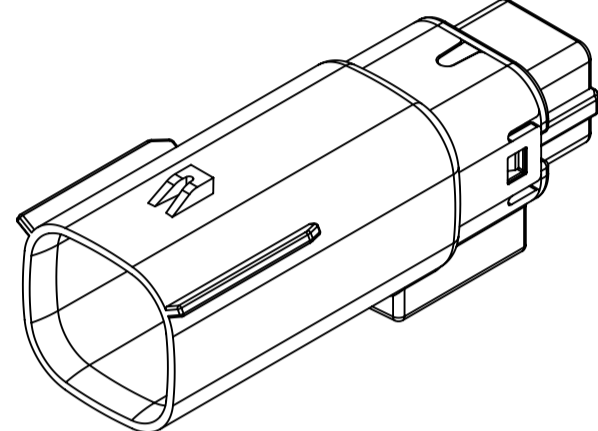
2X2 - STANDARD (STD)



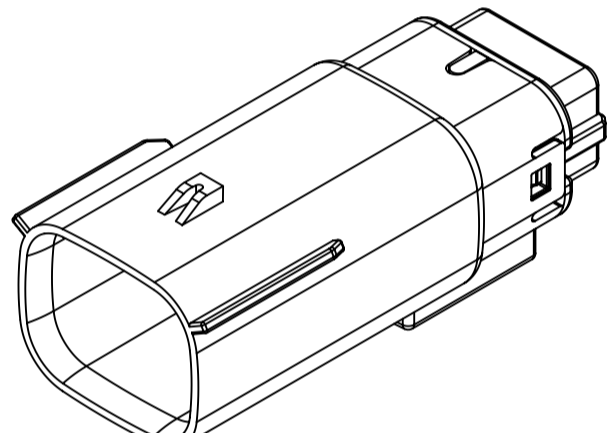
2X2 - UL V0\*



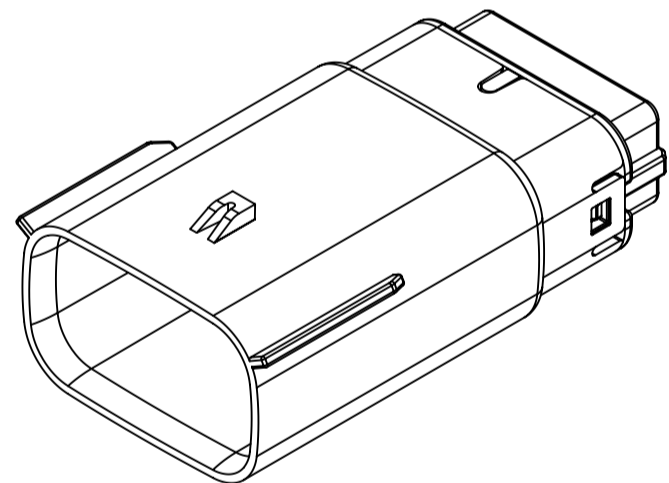
2X3 - STANDARD (STD)



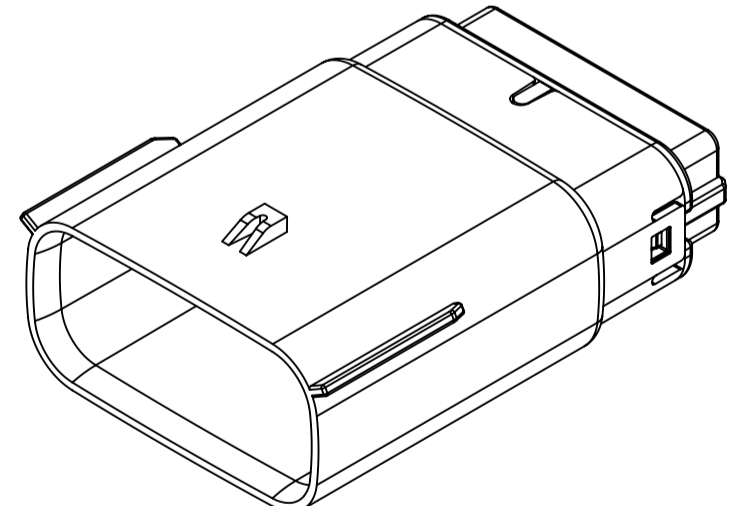
2X3 - LENGTHENED



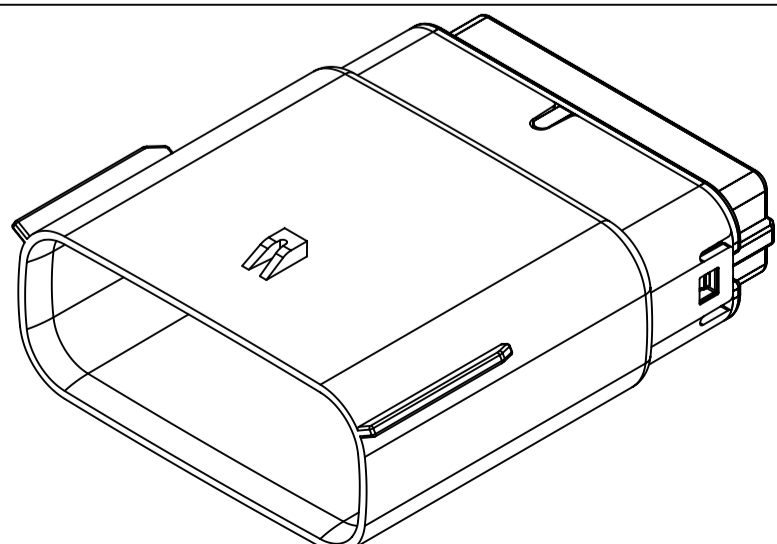
2X4 - STANDARD (STD)



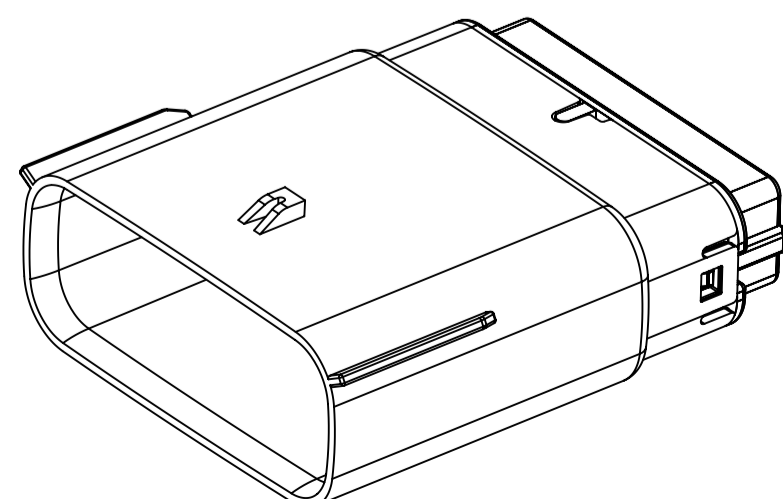
2X6 - STANDARD (STD)



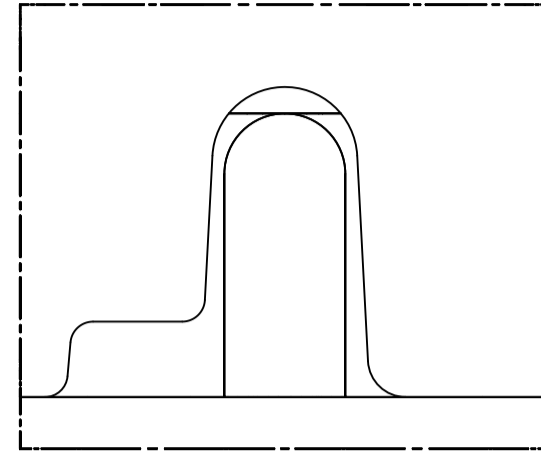
2X8 - STANDARD (STD)



2X10 - STANDARD (STD)



2X10 - UL V0\*



UL V0 UNIQUE FEATURE  
Partial1  
SCALE 10:1

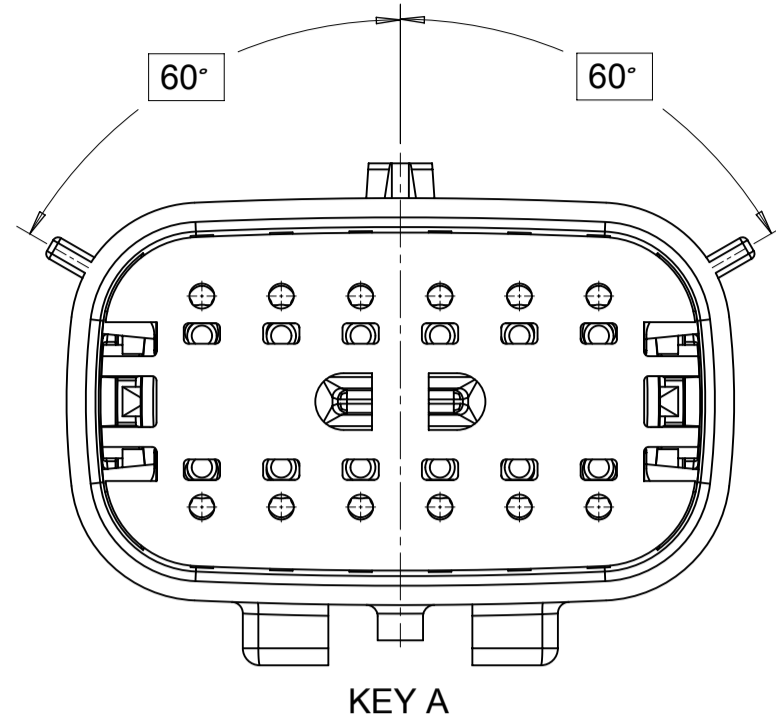
\* MINOR GEOMETRY CHANGE THAN STANDARD CONFIGURATION.  
SEE NOTE 2a FOR MORE INFORMATION

SYMBOLS	THIS DRAWING CONTAINS INFORMATION THAT IS PROPRIETARY TO MOLEX ELECTRONIC TECHNOLOGIES, LLC AND SHOULD NOT BE USED WITHOUT WRITTEN PERMISSION		CURRENT REV DESC:									
	DIMENSION UNITS	SCALE						EC NO: 171650	DRWN: PMANJUNATHAC	2018/01/03	DOCUMENT NUMBER	DOC TYPE
▽ = 0	mm	1.5:1	GENERAL TOLERANCES (UNLESS SPECIFIED)		DRWN: MVANSLAMBROU	2018/02/16	SD-33482-0001			PSD	001	E2
▽ = 0	ANGULAR TOL ± 1.0°		4 PLACES ±		APPR: MVANSLAMBROU	2018/02/16	PRODUCT CUSTOMER DRAWING			MATERIAL NUMBER		
▽ = 0	3 PLACES ±		2 PLACES ± 0.1		INITIAL REVISION:		GENERAL MARKET			CUSTOMER		SHEET NUMBER
▽ = 0	2 PLACES ± 0.2		1 PLACE ±		DRWN: APROFFITT	2014/04/28	A1-SIZE			33482		2 OF 11
▽ = 0	0 PLACES ±		DRAFT WHERE APPLICABLE MUST REMAIN WITHIN DIMENSIONS		APPR: VKOSHY	2014/05/14	DRAWING			SERIES		
▽ = 0					THIRD ANGLE PROJECTION		A1-SIZE			33482		

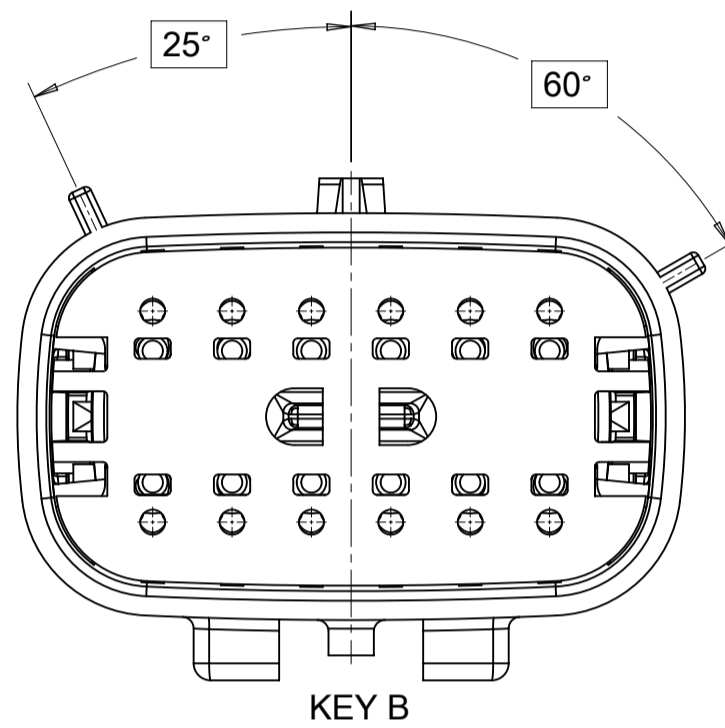


**SHEET DESCRIPTION**  
KEY CONFIGURATIONS CONT.

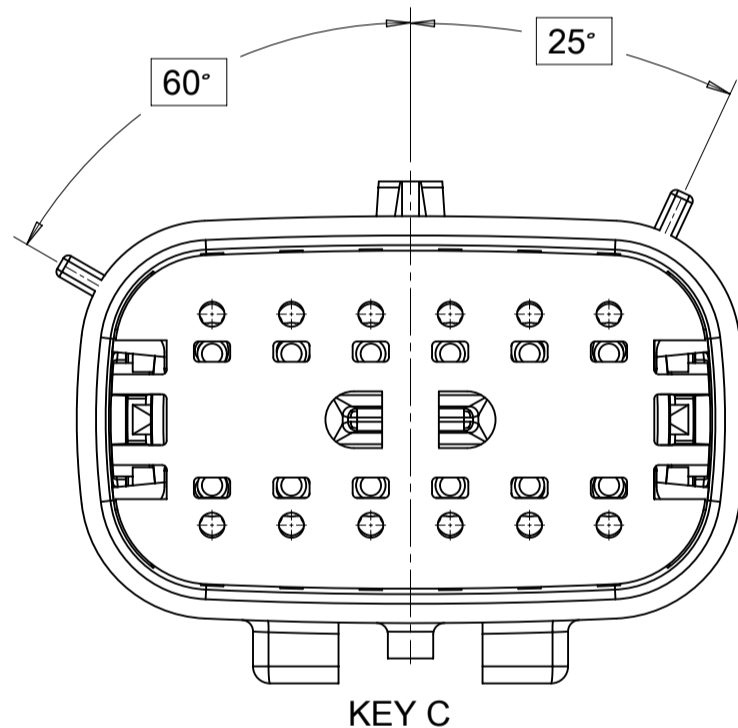
2X6



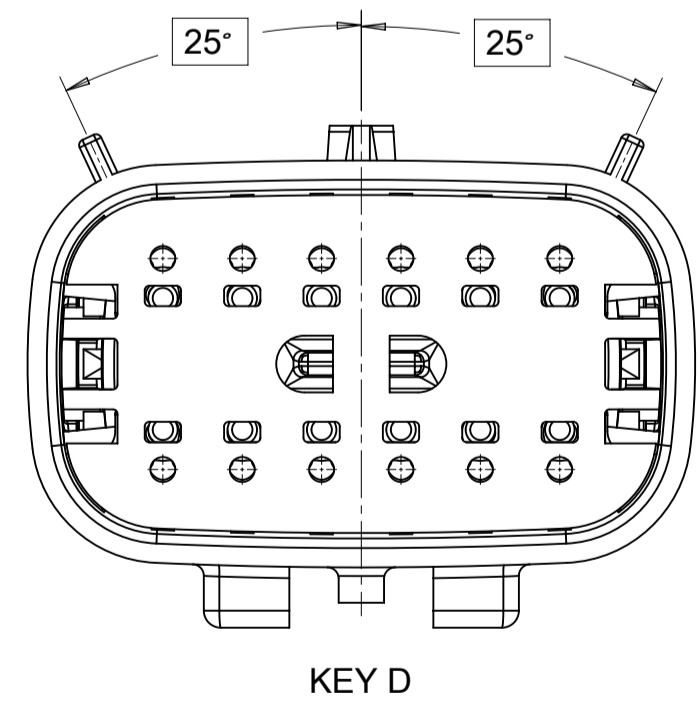
KEY A



KEY B

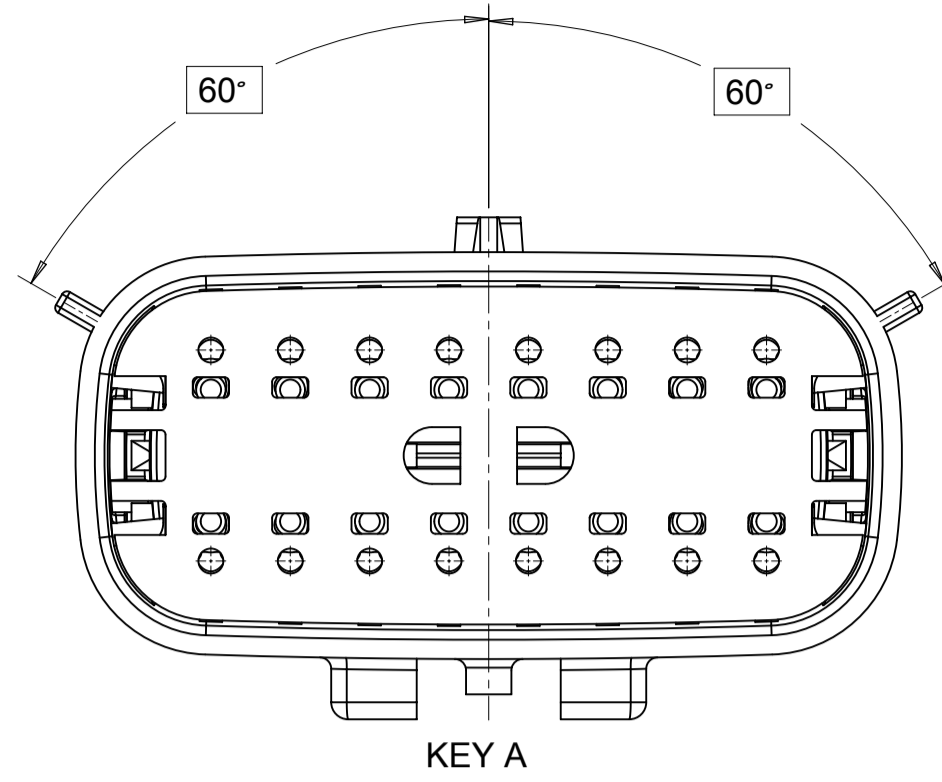


KEY C

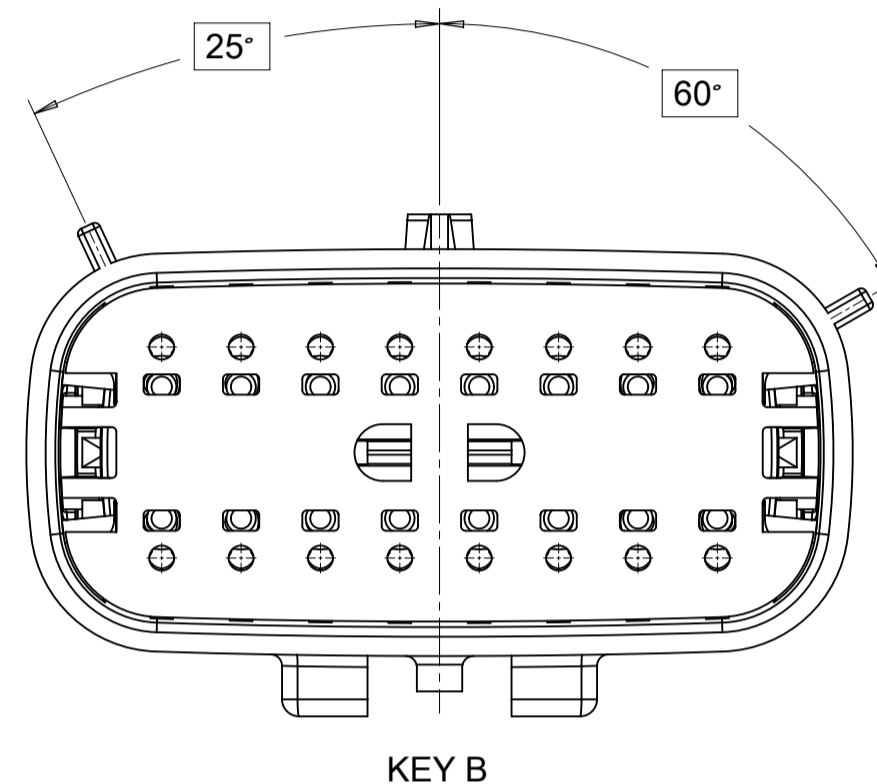


KEY D

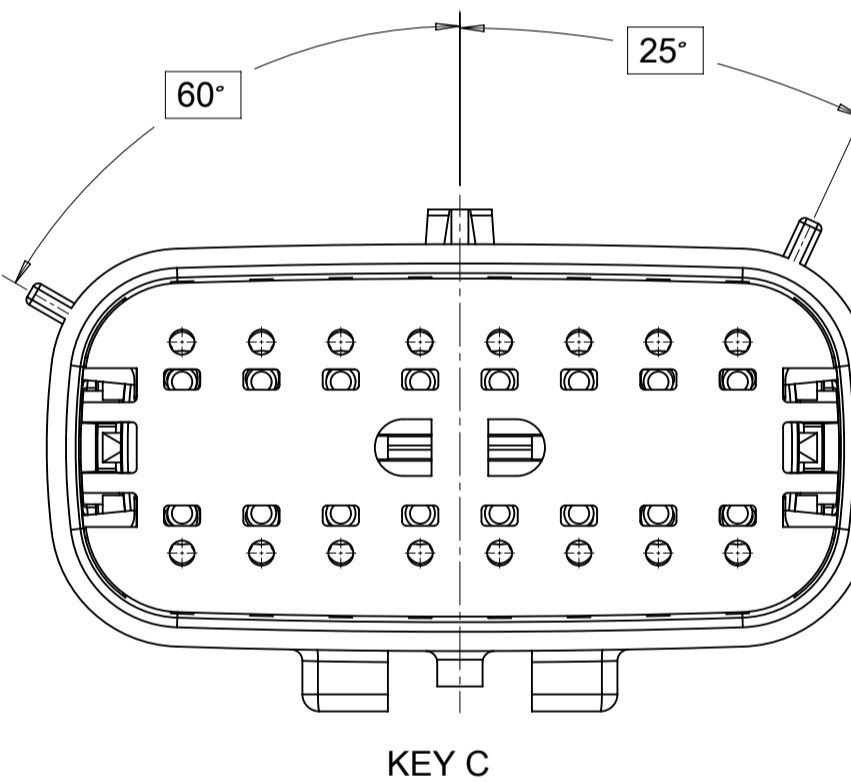
2X8



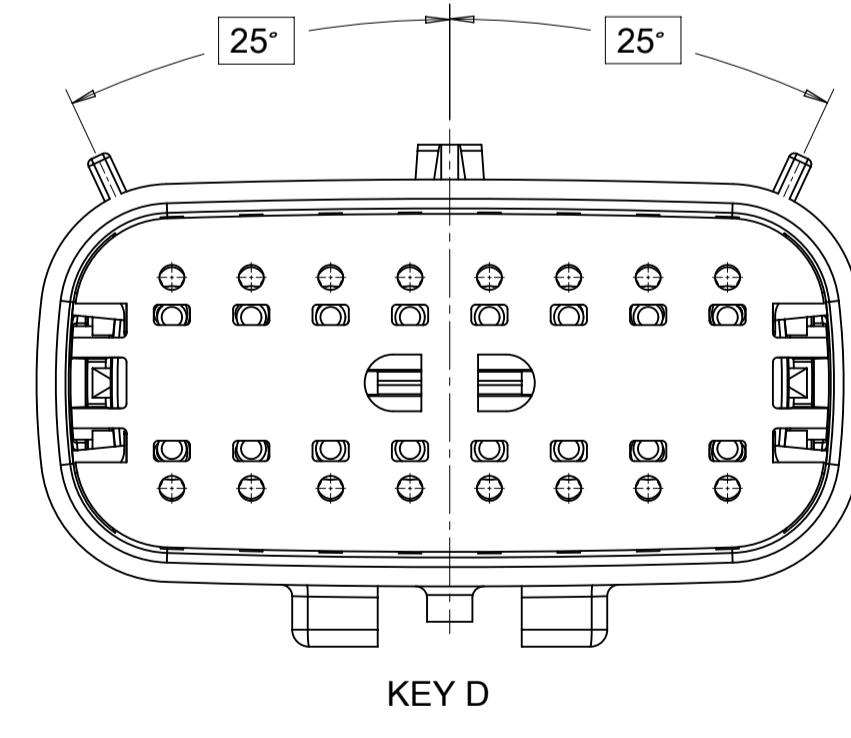
KEY A



KEY B

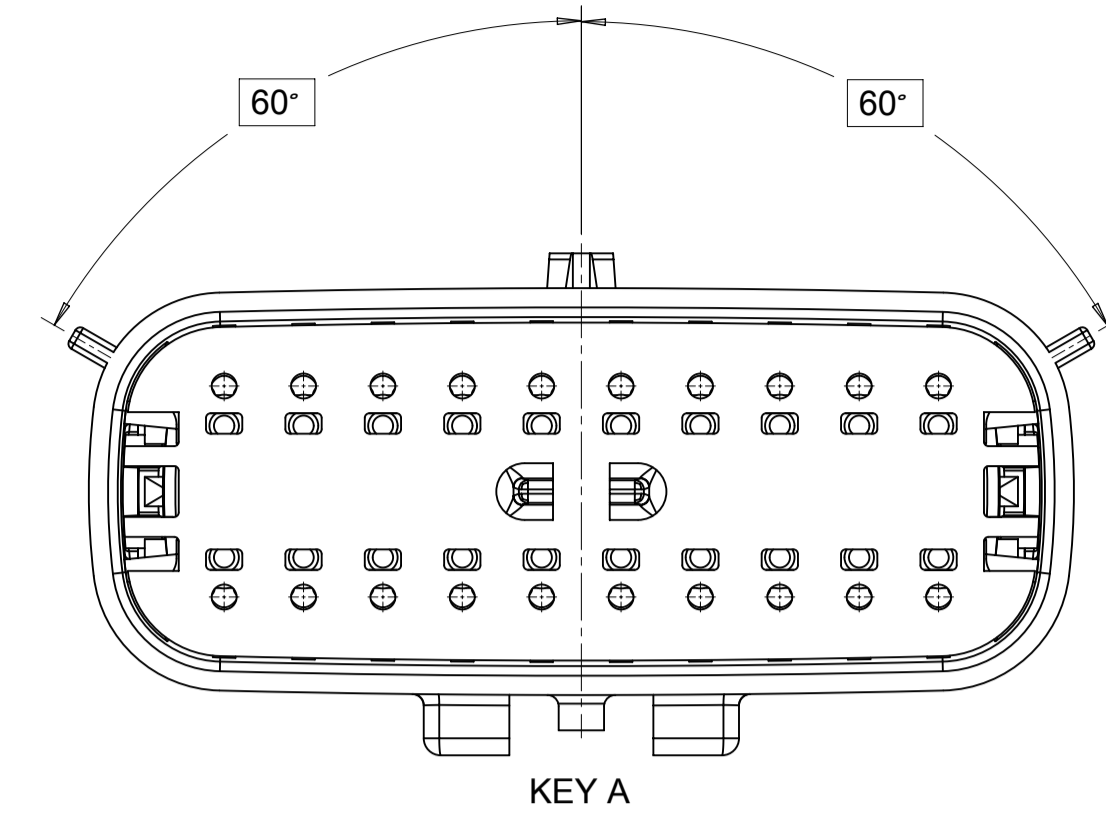


KEY C

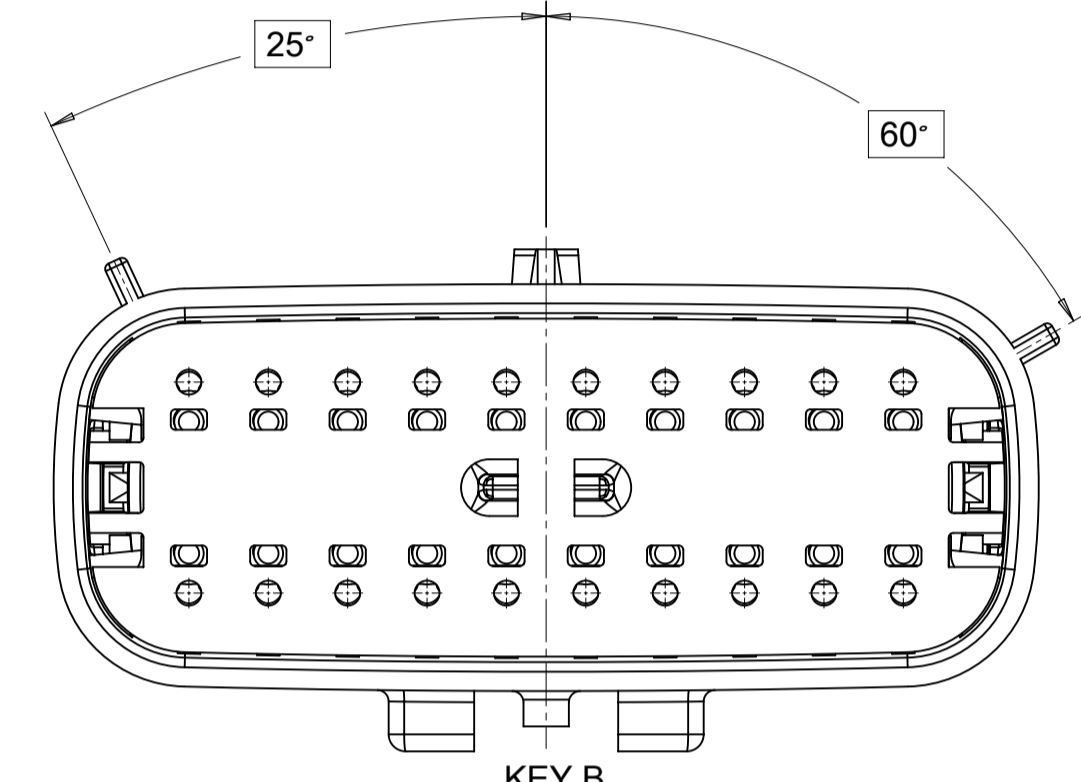


KEY D

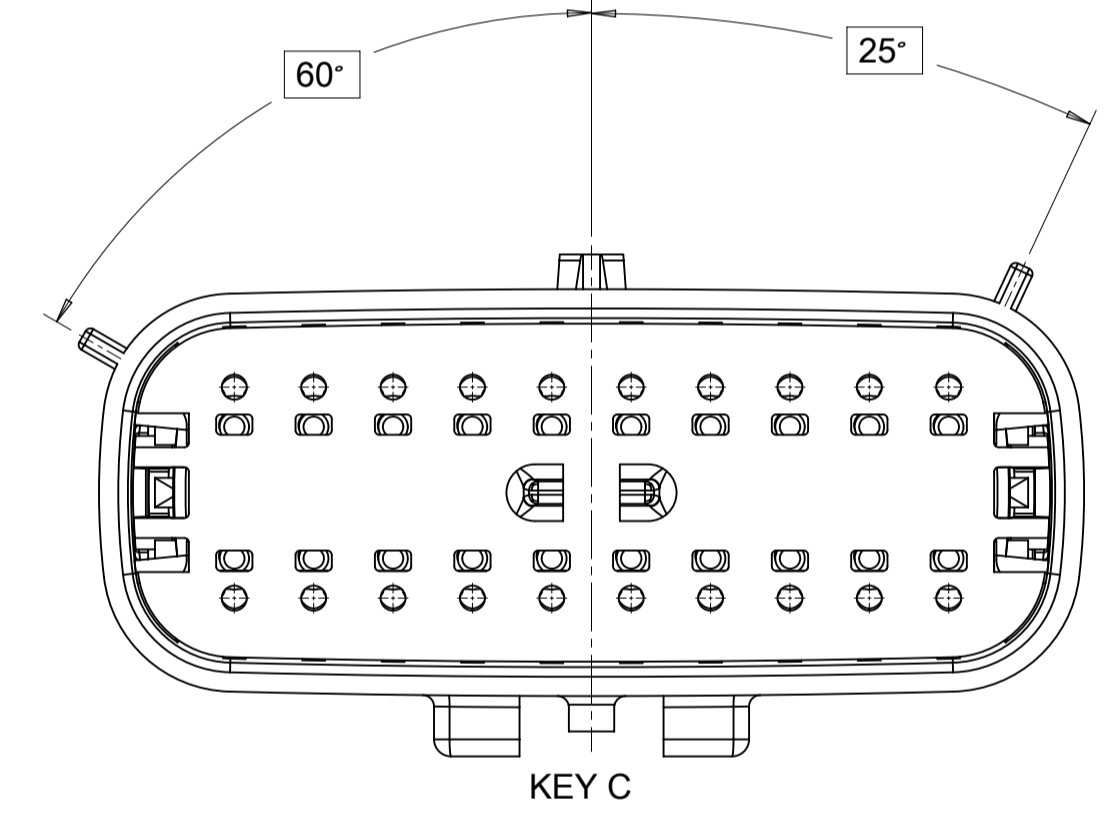
2X10



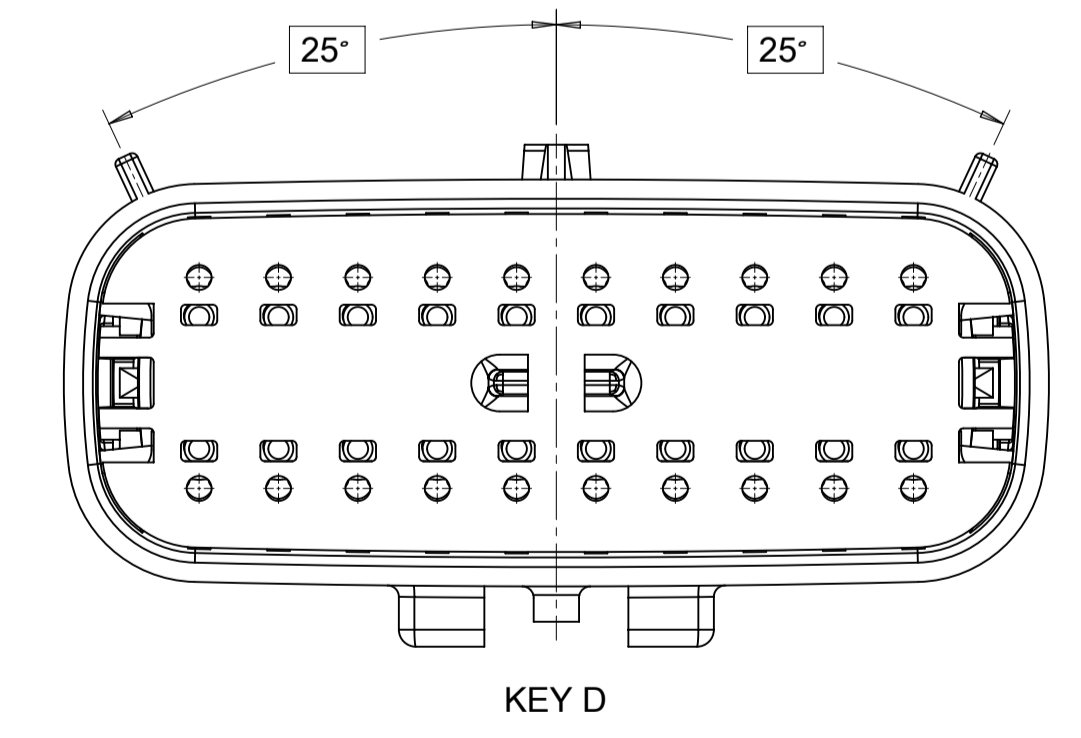
KEY A



KEY B



KEY C

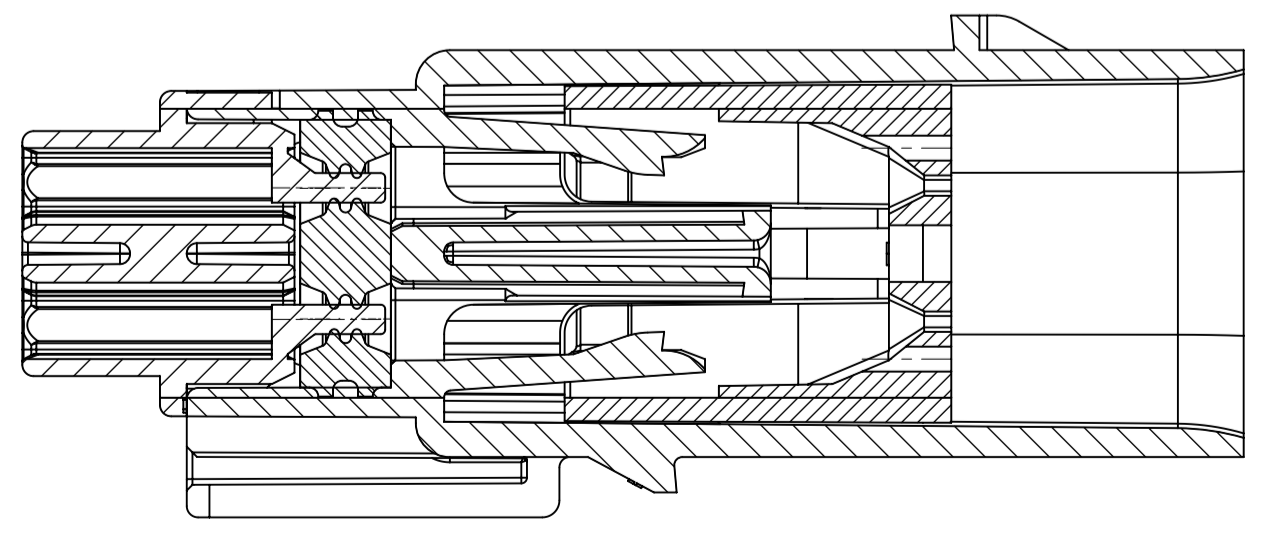
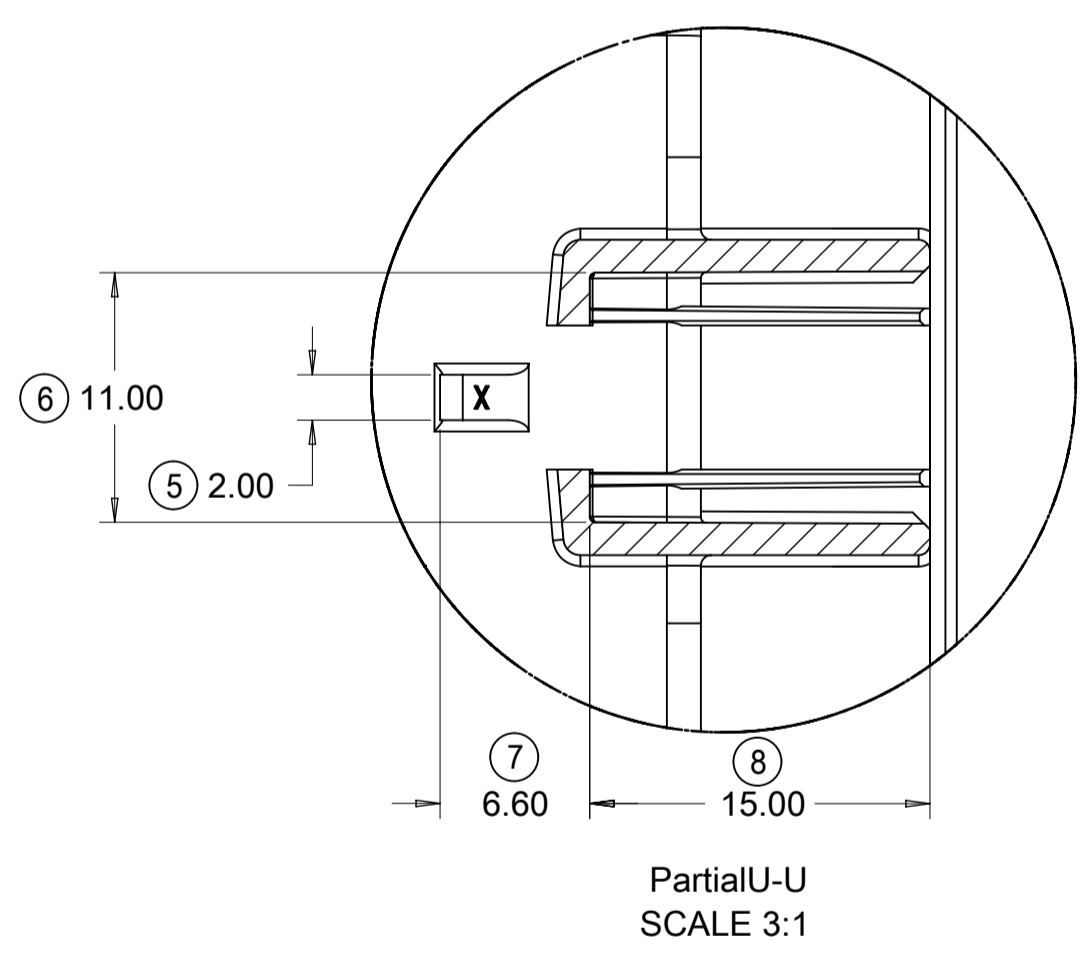
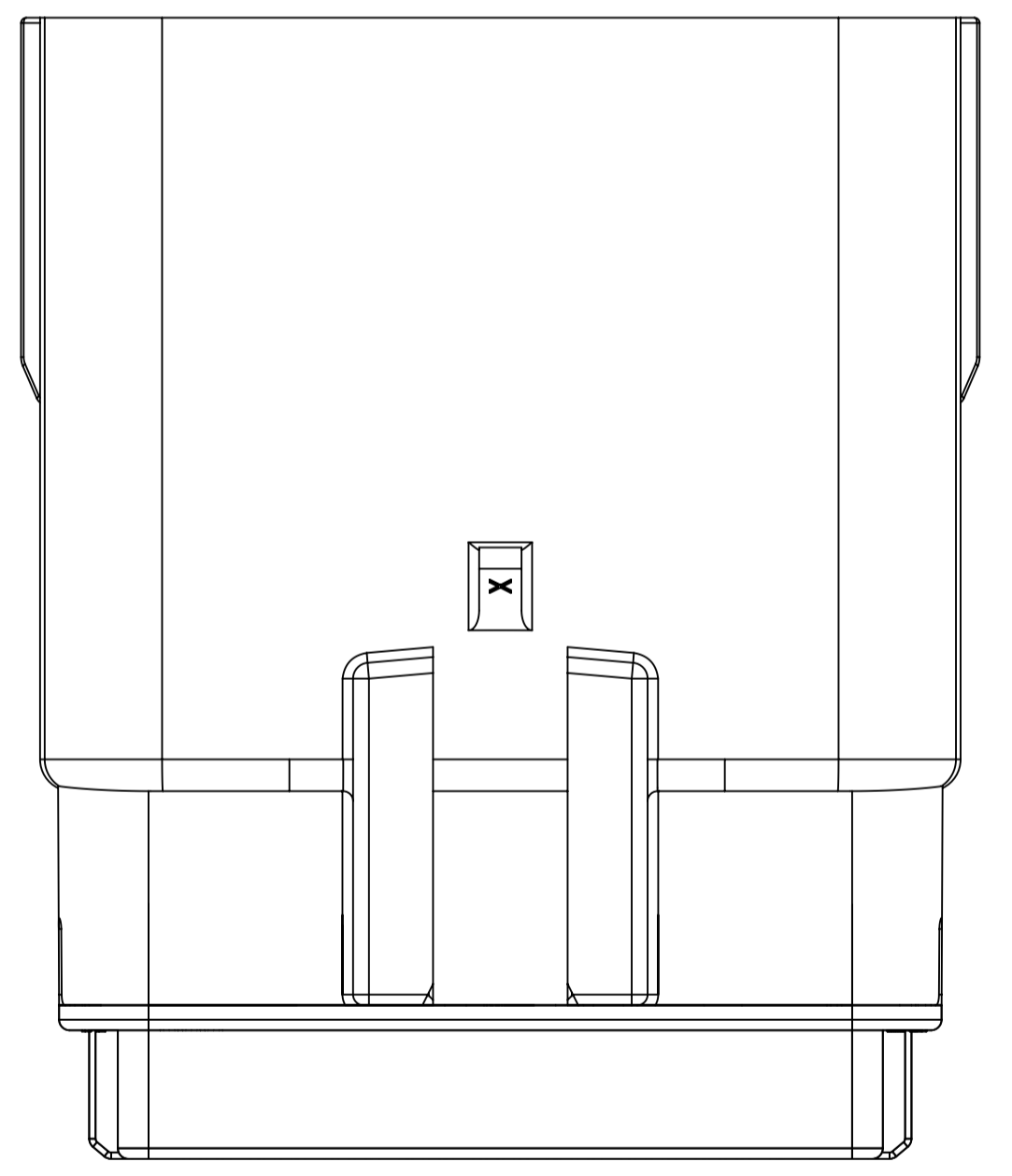
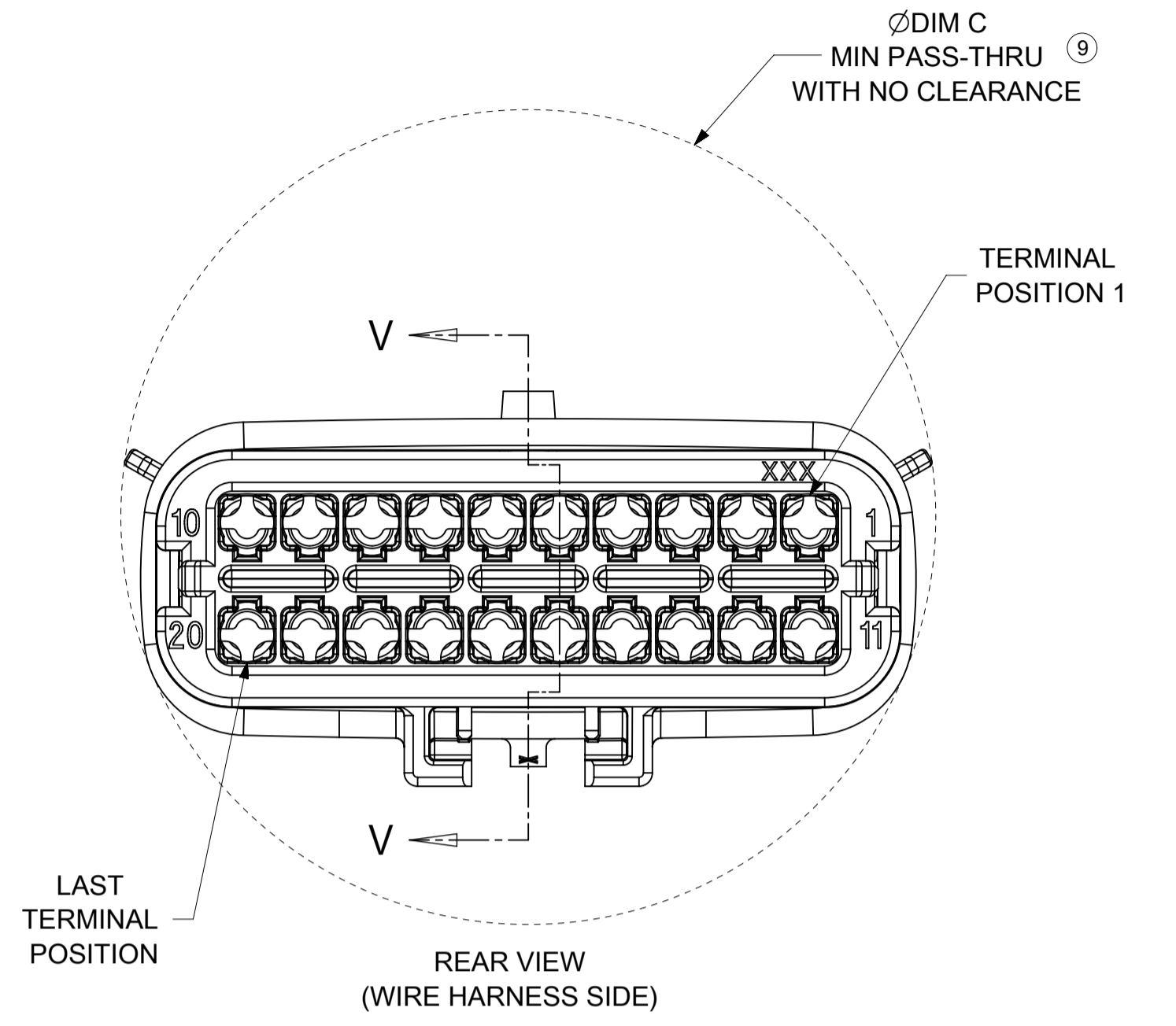
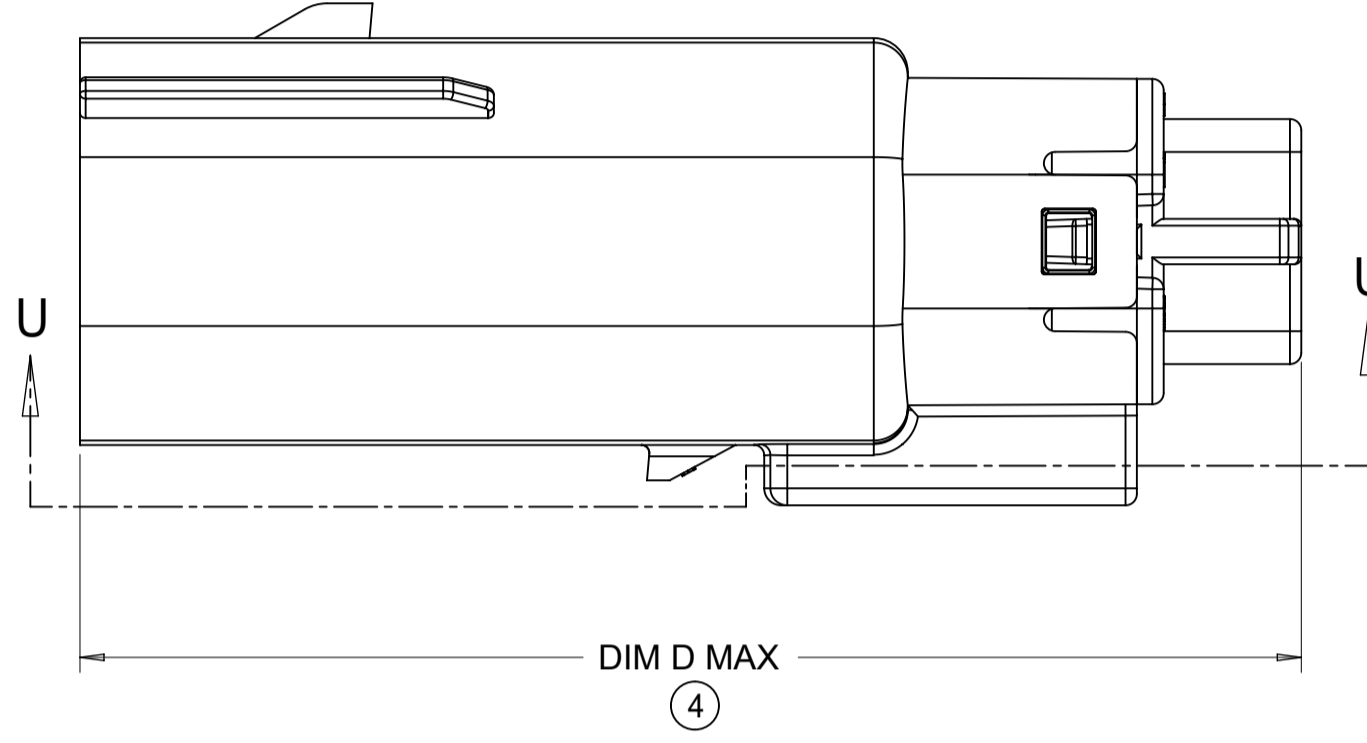
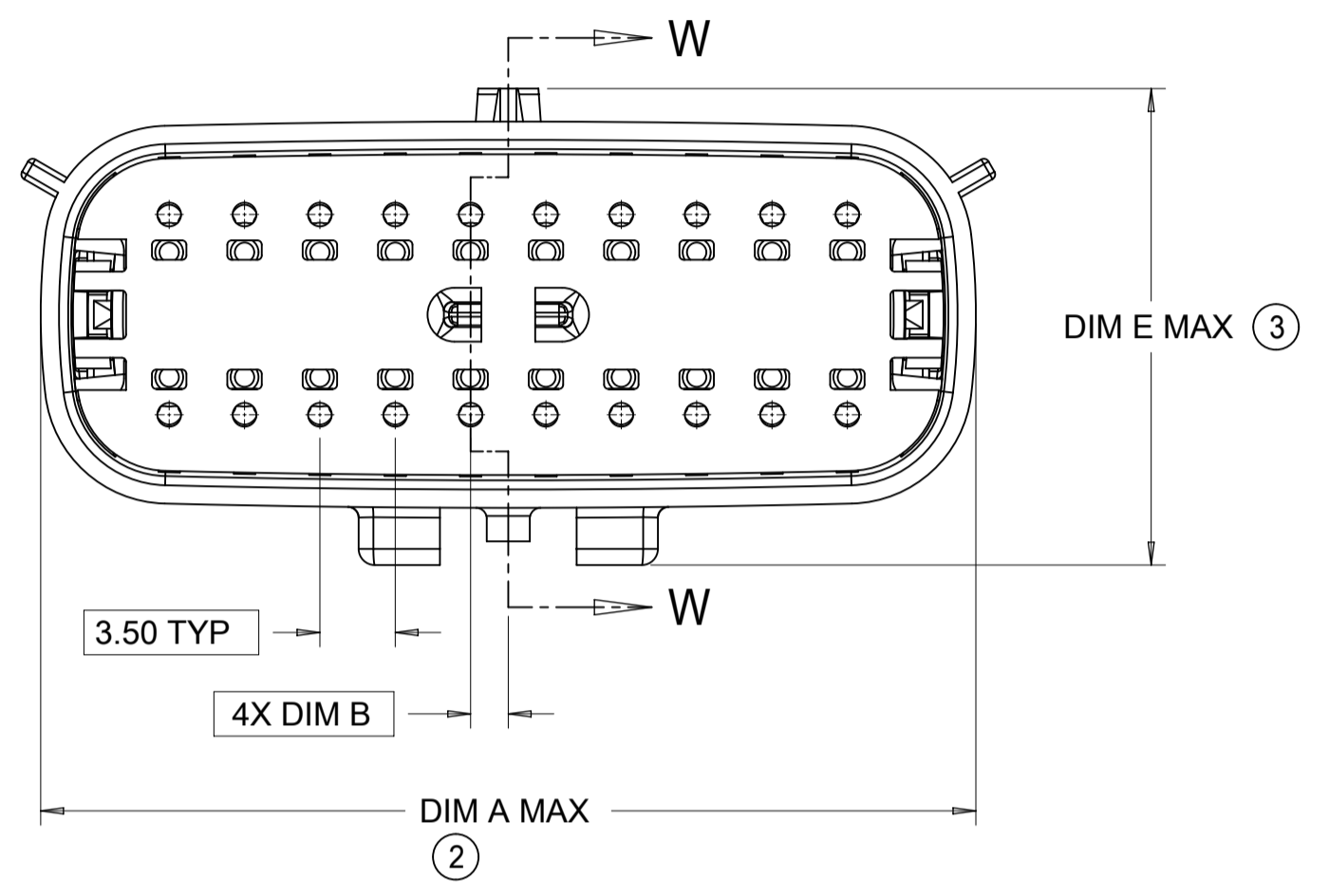
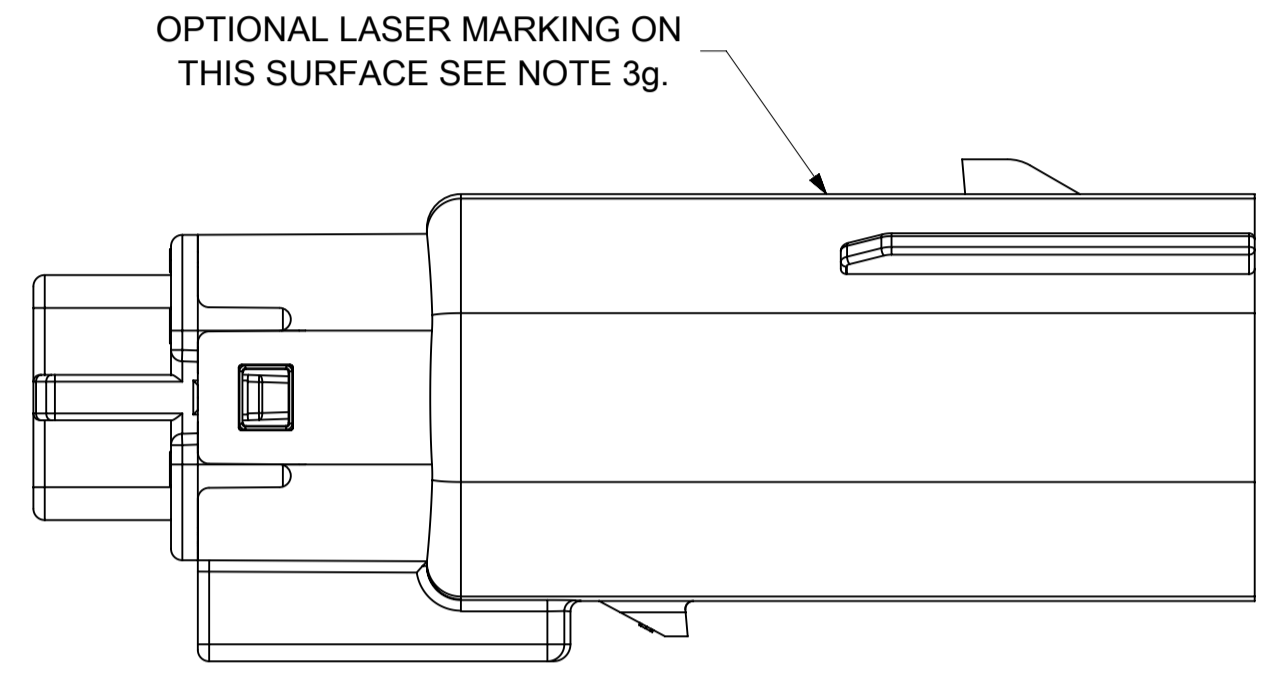


KEY D

<b>SYMBOLS</b> = 0 = 0 = 0 = 0 = 0 = 0 = 0 = 0 = 0 = 0	THIS DRAWING CONTAINS INFORMATION THAT IS PROPRIETARY TO MOLEX ELECTRONIC TECHNOLOGIES, LLC AND SHOULD NOT BE USED WITHOUT WRITTEN PERMISSION DIMENSION UNITS: <b>mm</b> SCALE: <b>3:1</b> GENERAL TOLERANCES (UNLESS SPECIFIED) ANGULAR TOL: ± 1.0°	CURRENT REV DESC: EC NO: 171650 DRWN: PMANJUNATHAC 2018/01/03 CHK'D: MVANSLAMBROU 2018/02/16 APPR: MVANSLAMBROU 2018/02/16 INITIAL REVISION: DRWN: APROFFITT 2014/04/28 APPR: VKOSHY 2014/05/14	 MX150 BLADE DUAL ROW SEALED ASSEMBLY MAT SEAL PRODUCT CUSTOMER DRAWING
	4 PLACES ± 3 PLACES ± 2 PLACES ± 0.1 1 PLACE ± 0.2 0 PLACES ± DRAFT WHERE APPLICABLE MUST REMAIN WITHIN DIMENSIONS	THIRD ANGLE PROJECTION  DRAWING: <b>A1-SIZE</b> SERIES: <b>33482</b>	

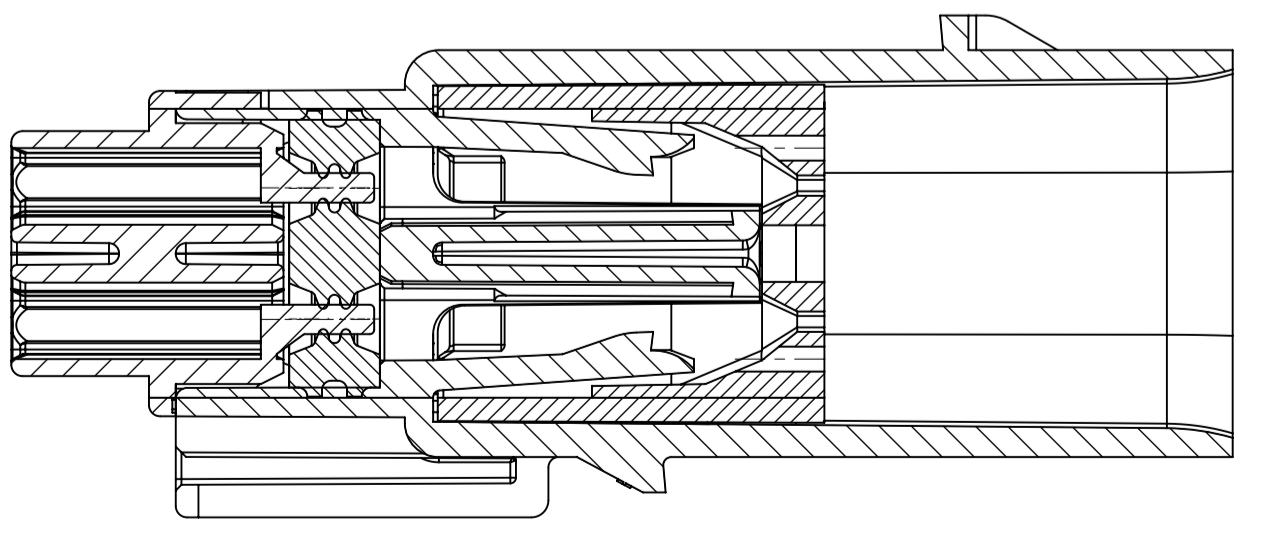
**SHEET DESCRIPTION**  
BLADE SEALED ASSEMBLY

DESCRIPTION	DIMENSIONS				
	A	B	C	D	E
2X2	15.54	1.75	24.40	54.45	22.23
2X3 STANDARD	19.04	3.50	26.21	54.45	22.23
2X3 LENGTHENED	19.04	3.50	26.21	56.45	22.23
2X4	22.54	1.75	27.21	54.45	22.23
2X6	29.54	1.75	32.27	54.45	22.23
2X8	36.54	1.75	38.88	54.45	22.23
2X10	43.64	1.75	45.65	54.45	22.05



PRIMARY LOCK REINFORCEMENT (PLR) SHOWN IN PRE-STAGED POSITION

SECTION W-W



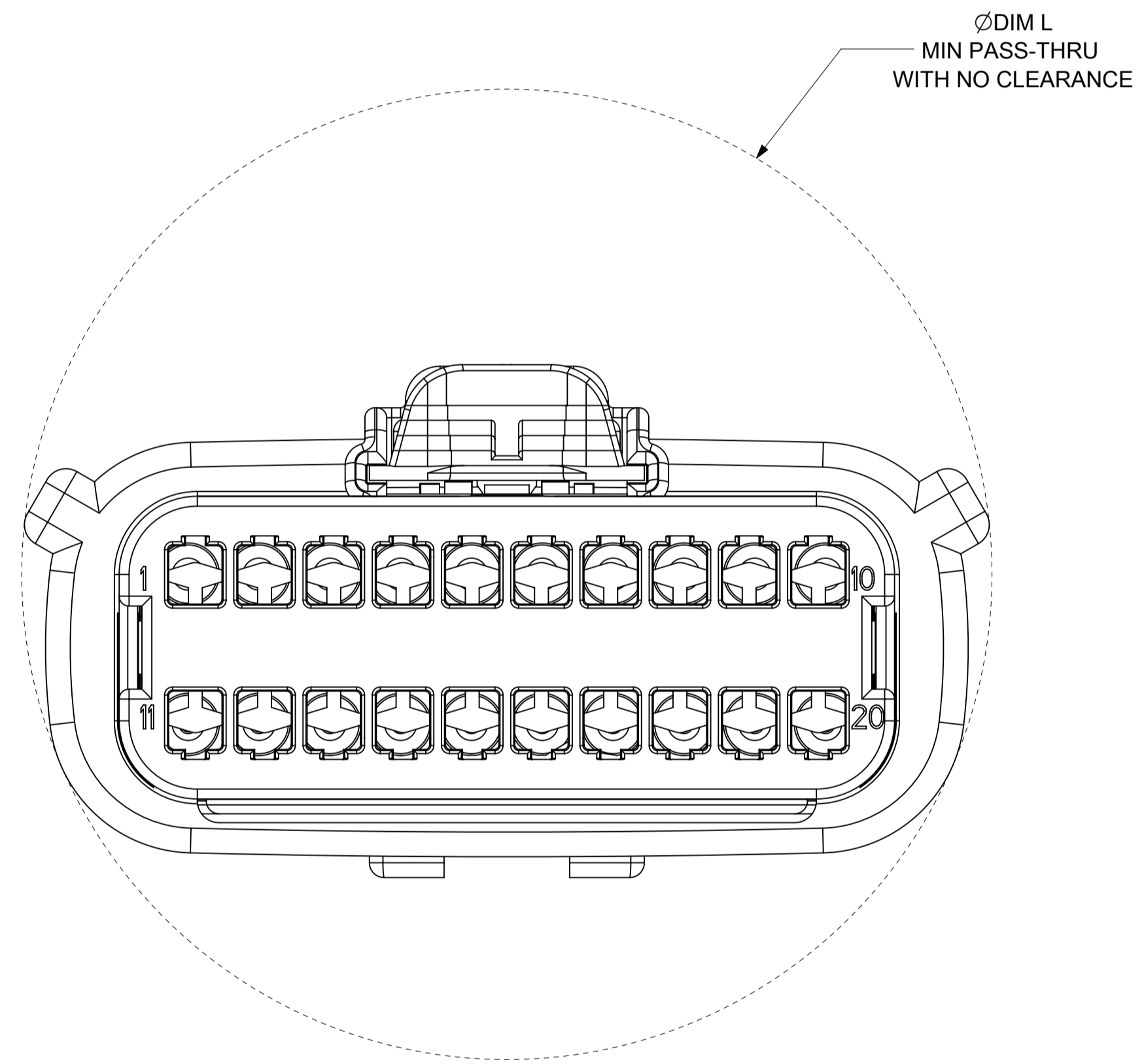
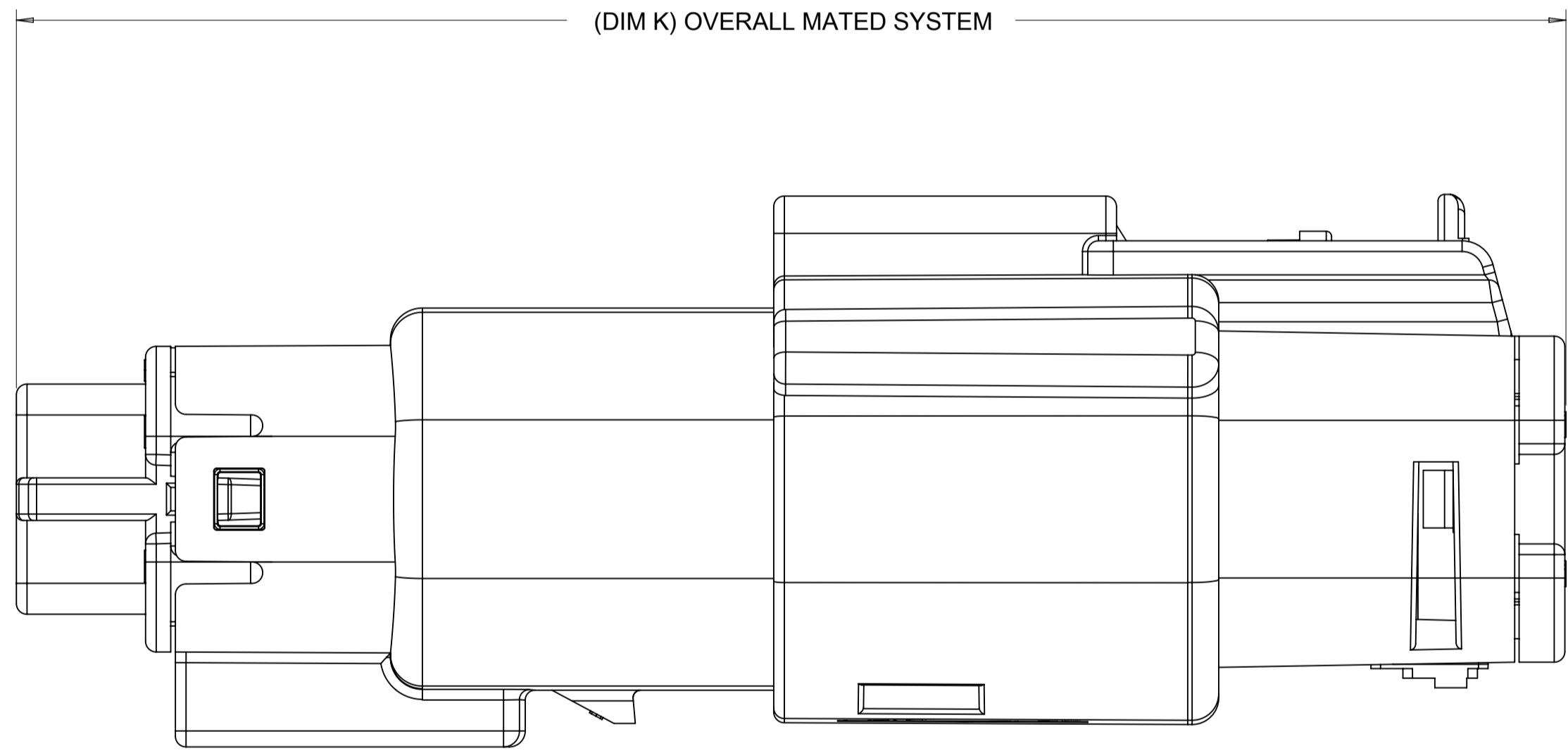
PRIMARY LOCK REINFORCEMENT (PLR) SHOWN IN FINAL-LOCK POSITION

SECTION V-V

<b>SYMBOLS</b> THIS DRAWING CONTAINS INFORMATION THAT IS PROPRIETARY TO MOLEX ELECTRONIC TECHNOLOGIES, LLC AND SHOULD NOT BE USED WITHOUT WRITTEN PERMISSION DIMENSION UNITS: mm SCALE: 3:1 GENERAL TOLERANCES (UNLESS SPECIFIED): ANGULAR TOL: ± 1.0° 4 PLACES: ± 3 PLACES: ± 2 PLACES: ± 0.1 1 PLACE: ± 0.2 0 PLACES: ± DRAFT WHERE APPLICABLE MUST REMAIN WITHIN DIMENSIONS	CURRENT REV DESC:		 MX150 BLADE DUAL ROW SEALED ASSEMBLY MAT SEAL			
	EC NO: 171650 DRWN: PMANJUNATHAC 2018/01/03 CHK'D: MVANSLAMBROU 2018/02/16 APPR: MVANSLAMBROU 2018/02/16				PRODUCT CUSTOMER DRAWING	
	INITIAL REVISION: DRWN: APROFFITT 2014/04/28 APPR: VKOSHY 2014/05/14		DOCUMENT NUMBER	DOC TYPE	DOC PART	REVISION
	THIRD ANGLE PROJECTION 		DRAWING	SERIES	MATERIAL NUMBER	CUSTOMER
		A1-SIZE	33482	SD-33482-0001	PSD 001	E2
		GENERAL MARKET		5 OF 11		

**SHEET DESCRIPTION**  
SYSTEM PACKAGING

CHARTED DIMENSION				
CKT	BLADE CONFIGURATION	RECEPTACLE CONFIGURATION	DIMENSIONS	
			K	L
2X2	STANDARD	W/O CLIPSLOT	72.78	28.00
		W/ CLIPSLOT	72.78	28.50
		LENGTHENED	77.21	28.00
2X3	STANDARD	W/O CLIPSLOT	72.78	28.00
		W/ CLIPSLOT		30.50
	LENGTHENED	W/O CLIPSLOT	74.79	28.00
		W/ CLIPSLOT		30.50
2X4	STANDARD	W/O CLIPSLOT	72.78	29.50
		W/ CLIPSLOT		31.50
2X6	STANDARD	W/O CLIPSLOT	72.79	35.58
		W/ CLIPSLOT		
2X8	STANDARD	W/O CLIPSLOT	72.67	42.25
		W/ CLIPSLOT		
2X10	STANDARD	STANDARD	72.78	49.05



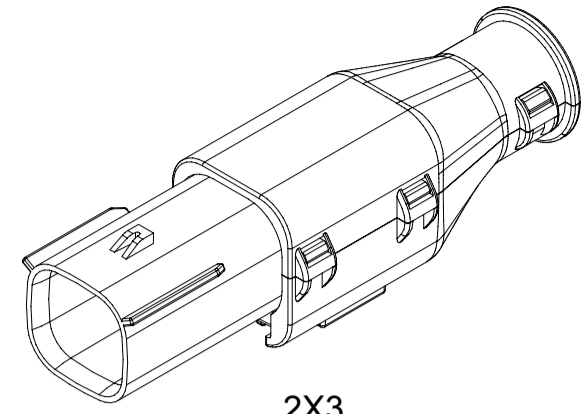
<b>SYMBOLS</b> ▽ = 0 ▽ = 0 ▽ = 0 ▽ = 0 ▽ = 0 ▽ = 0 ▽ = 0 ▽ = 0 ▽ = 0 ▽ = 0	THIS DRAWING CONTAINS INFORMATION THAT IS PROPRIETARY TO MOLEX ELECTRONIC TECHNOLOGIES, LLC AND SHOULD NOT BE USED WITHOUT WRITTEN PERMISSION	DIMENSION UNITS	SCALE	CURRENT REV DESC:						
	mm	4:1	EC NO: 171650 DRWN: PMANJUNATHAC 2018/01/03 CHK'D: MVANSLAMBROU 2018/02/16 APPR: MVANSLAMBROU 2018/02/16							
	GENERAL TOLERANCES (UNLESS SPECIFIED)				INITIAL REVISION:			DOCUMENT NUMBER		
	ANGULAR TOL ± 1.0°				DRWN: APROFFITT 2014/04/28			SD-33482-0001		
	4 PLACES ±				APPR: VKOSHY 2014/05/14			DOC TYPE   DOC PART   REVISION		
	3 PLACES ±				DRAFT WHERE APPLICABLE MUST REMAIN WITHIN DIMENSIONS			PSD   001   E2		
	2 PLACES ± 0.1				THIRD ANGLE PROJECTION			MATERIAL NUMBER		
	1 PLACE ± 0.2				DRAWING			CUSTOMER		
	0 PLACES ±				A1-SIZE			GENERAL MARKET		
	0 PLACES ±				SERIES			SHEET NUMBER		
				33482			6 OF 11			

**SHEET DESCRIPTION**  
**BACKSHELL NOTES**

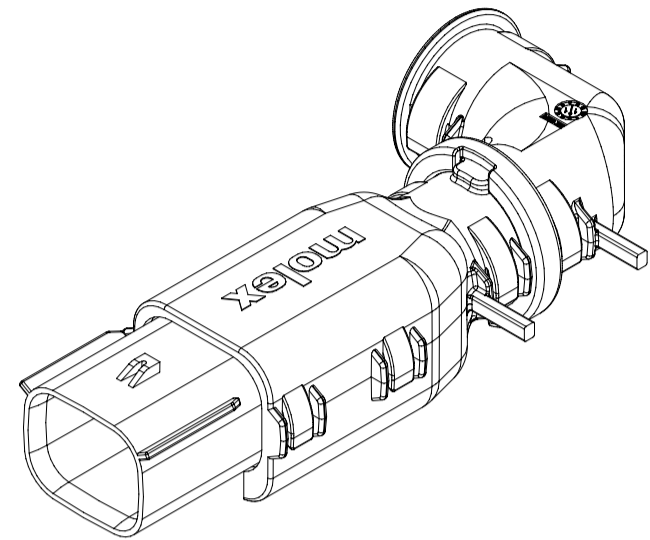
BACKSHELL NOTES: VALID UNLESS OTHERWISE SPECIFIED

**1. GENERAL:**

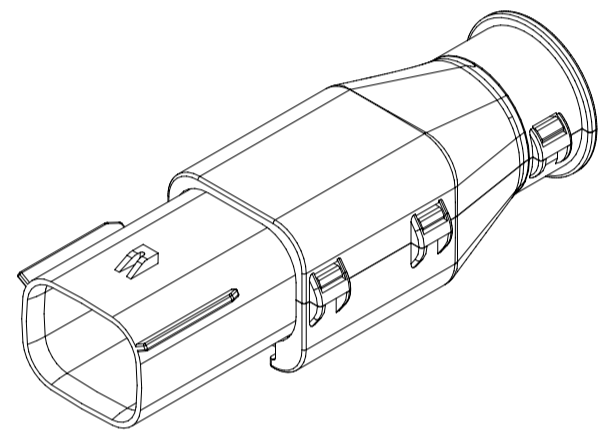
- a. APPLICATION SPECIFICATION SEE: AS-34951-001
- DESIGNED TO MATE WITH BLADE SEALED ASSEMBLY SPECIFIED IN MOLEX DRAWING SD-33482-0001.
- SYSTEM TO BE USED WITH WIRE WITHIN DIAMETER RANGE OF 1.2mm TO 2.69mm.
- COMPONENTS ARE OPTIONAL AND MUST BE PURCHASED SEPERATELY.
- DESIGN IS OWNED BY SCHLEMMER FOR SCHLEMMER BACKSHELL.
- DESIGN IS OWNED BY MOLEX FOR MOLEX BACKSHELL.
- 90° ADAPTOR DESIGN IS OWNED BY MOLEX.
- FOR ADDITIONAL INFORMATION SEE THE BACKSHELL COMPONENT DRAWING SD-34950-0001.



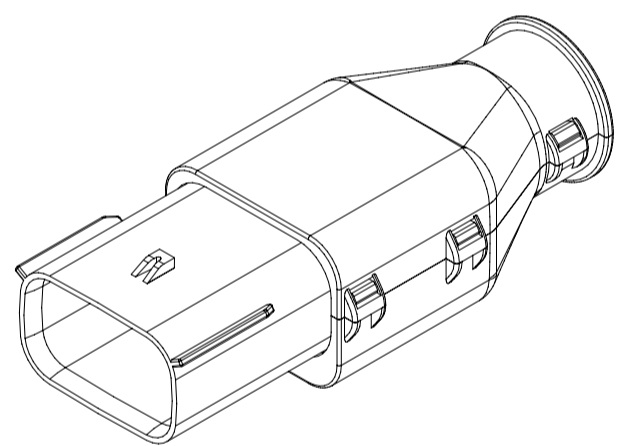
2X3



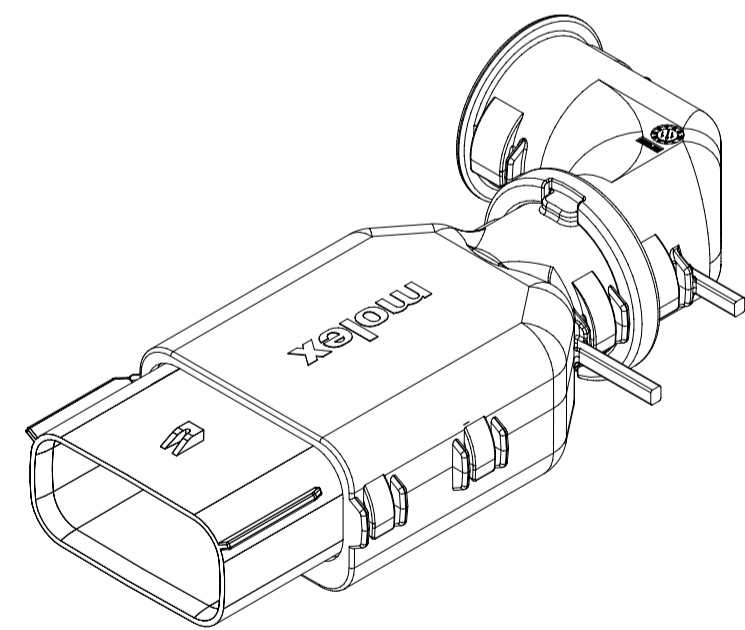
2X4



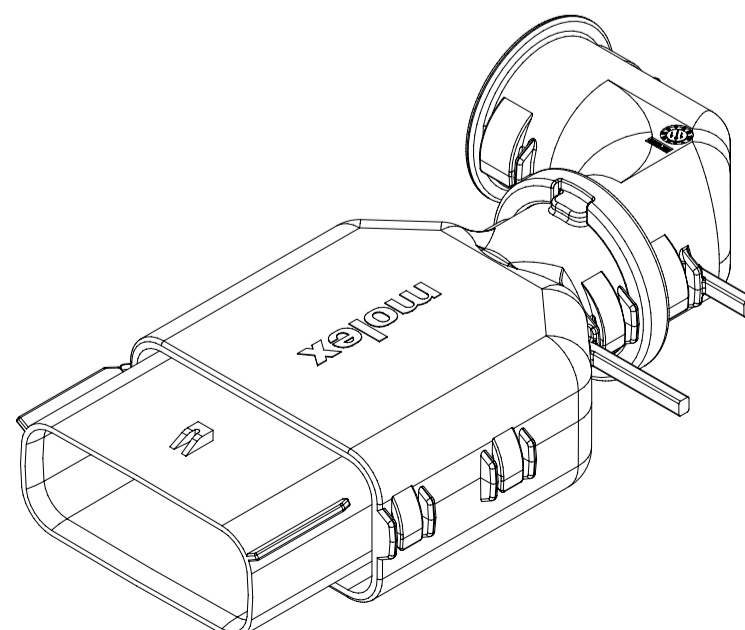
2X4



2X6



2X8



2X10

BACKSHELL CUSTOMER MODEL NUMBER LEGEND

34950-XXXX

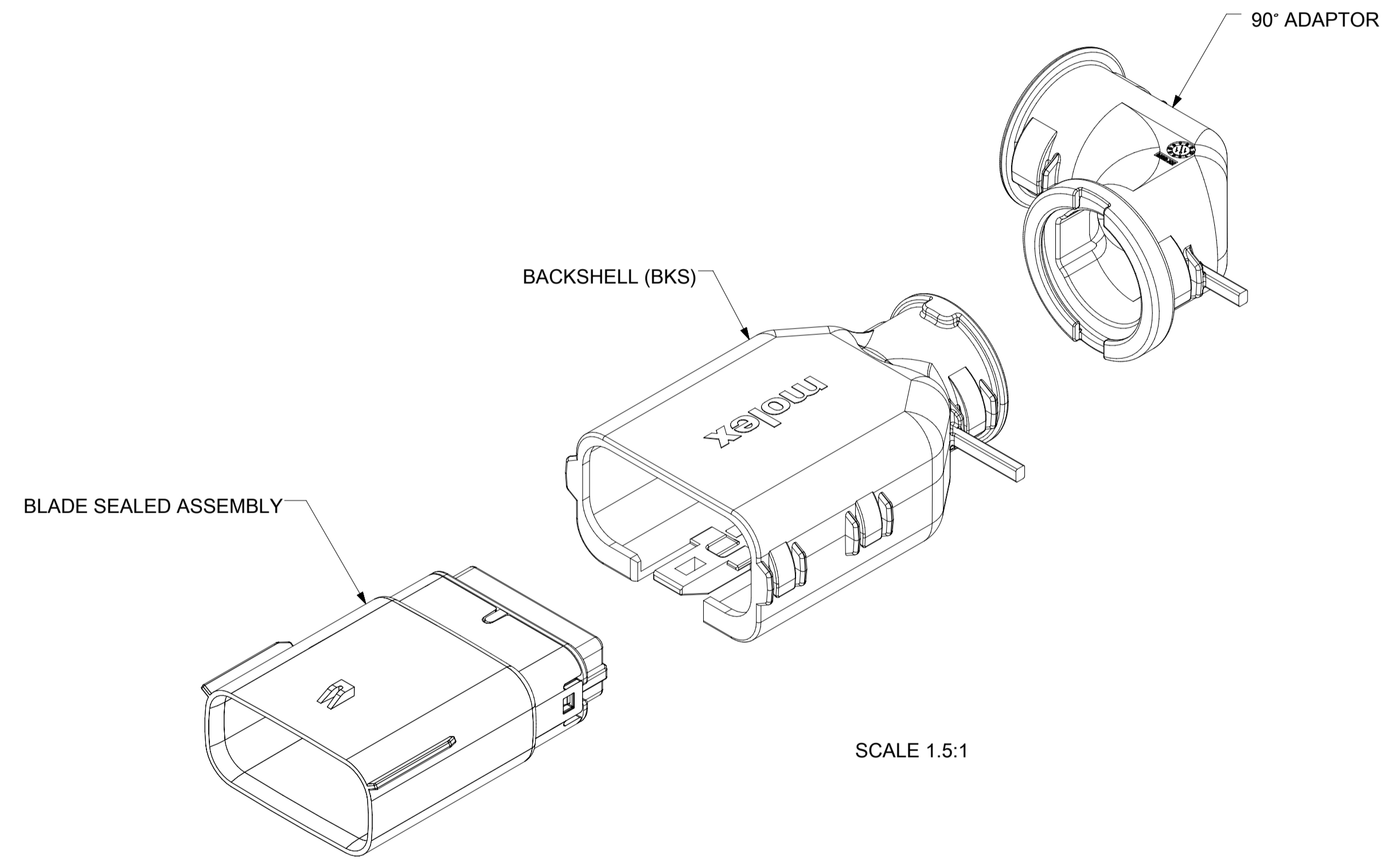
CUSTOMER MODEL COMPONENTS

- 0 - SCHLEMMER BACKSHELL ONLY
- 1 - SCHLEMMER BACKSHELL & MX150 HOUSING KEY A ASSEMBLY
- 2 - SCHLEMMER BACKSHELL & MX150 HOUSING KEY B ASSEMBLY
- 3 - SCHLEMMER BACKSHELL & MX150 HOUSING KEY C ASSEMBLY
- 4 - SCHLEMMER BACKSHELL & MX150 HOUSING KEY D ASSEMBLY
- 5 - MOLEX BACKSHELL ONLY
- 6 - MOLEX BACKSHELL & MX150 HOUSING KEY A ASSEMBLY
- 7 - MOLEX BACKSHELL & MX150 HOUSING KEY B ASSEMBLY
- 8 - MOLEX BACKSHELL & MX150 HOUSING KEY C ASSEMBLY
- 9 - MOLEX BACKSHELL & MX150 HOUSING KEY D ASSEMBLY

BACKSHELL FEATURES

- 1 - WITH RIBS
- 2 - WITHOUT RIBS
- 3 - 90° ADAPTOR

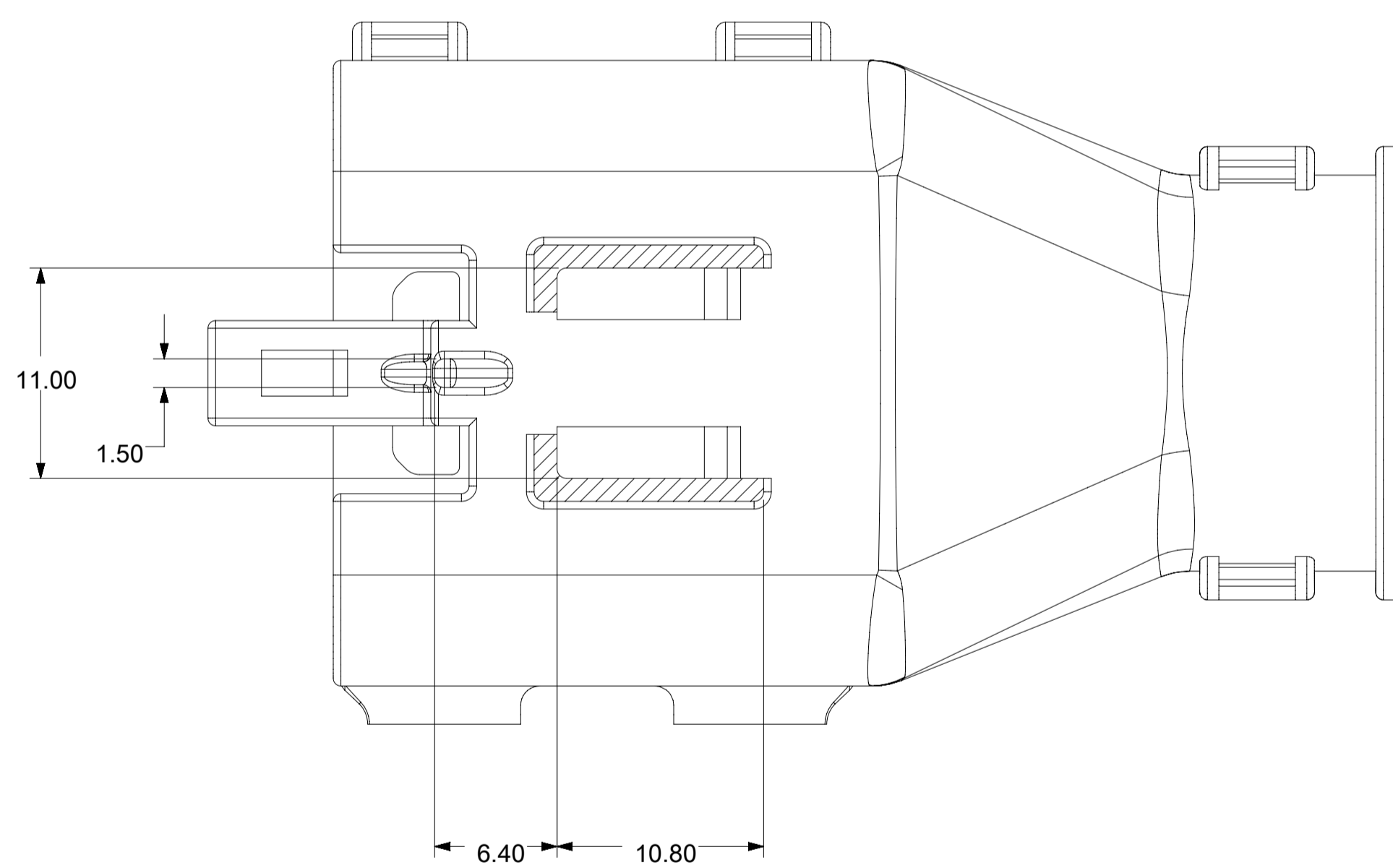
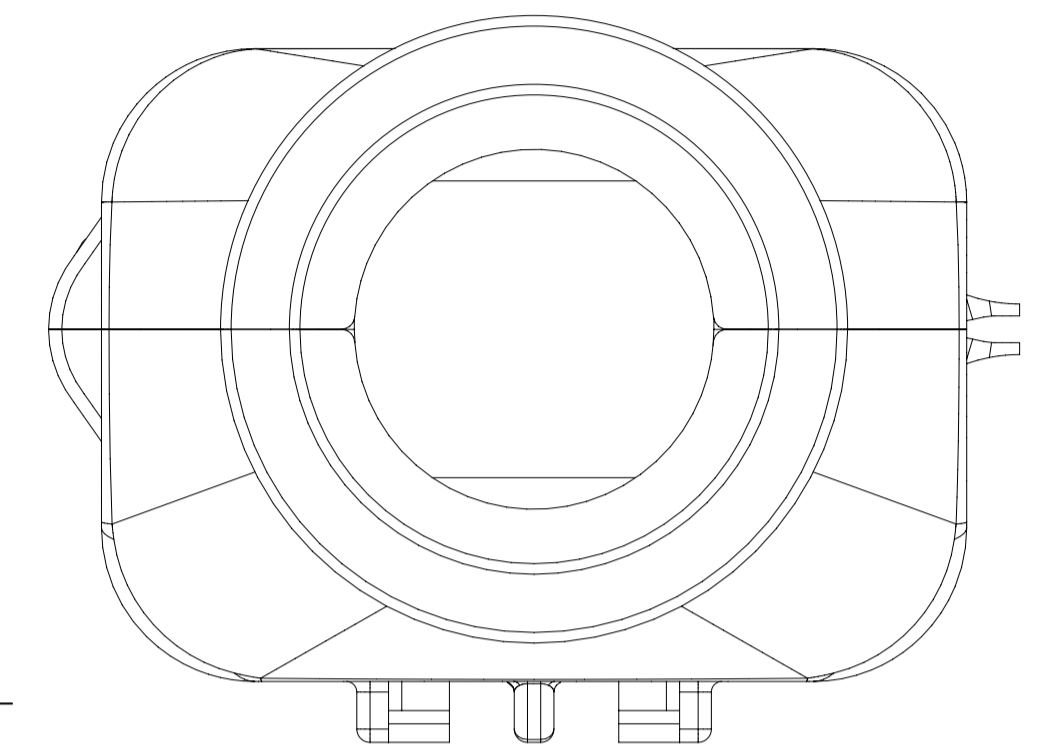
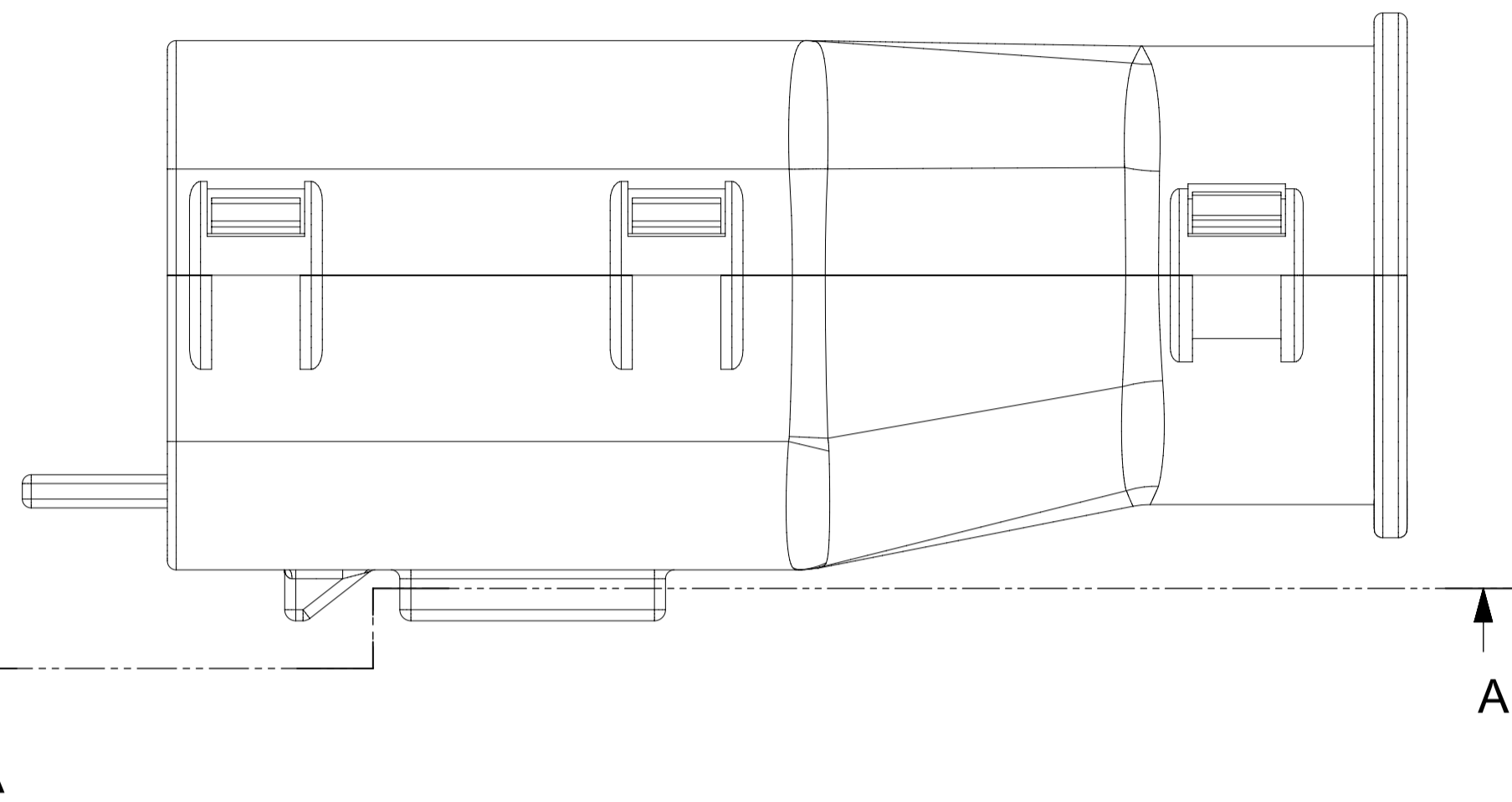
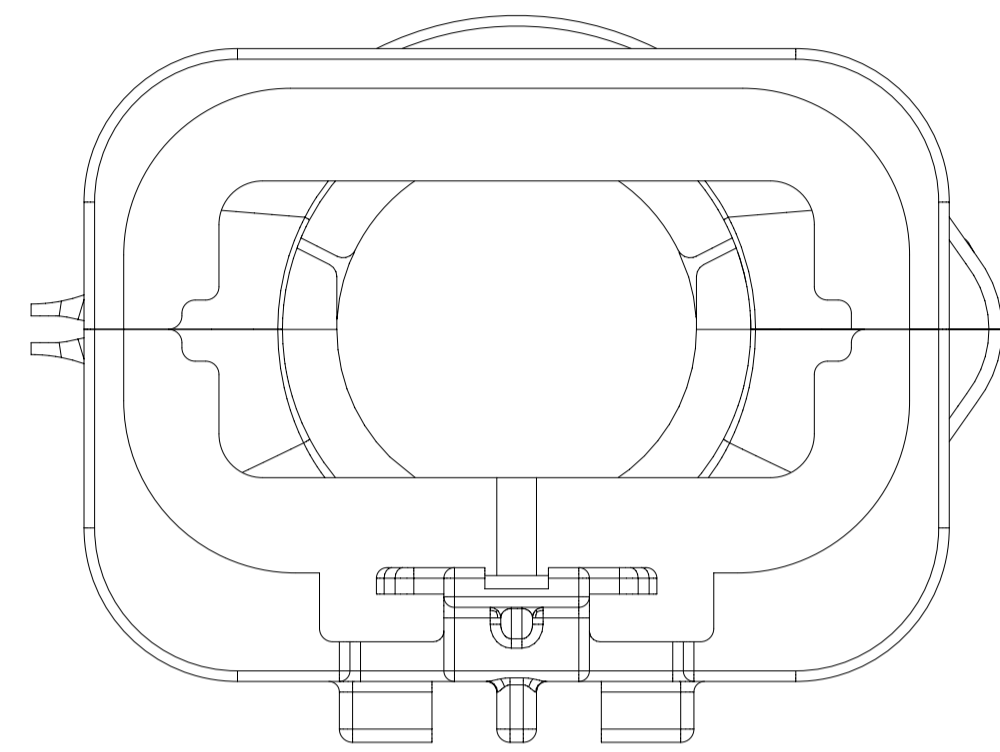
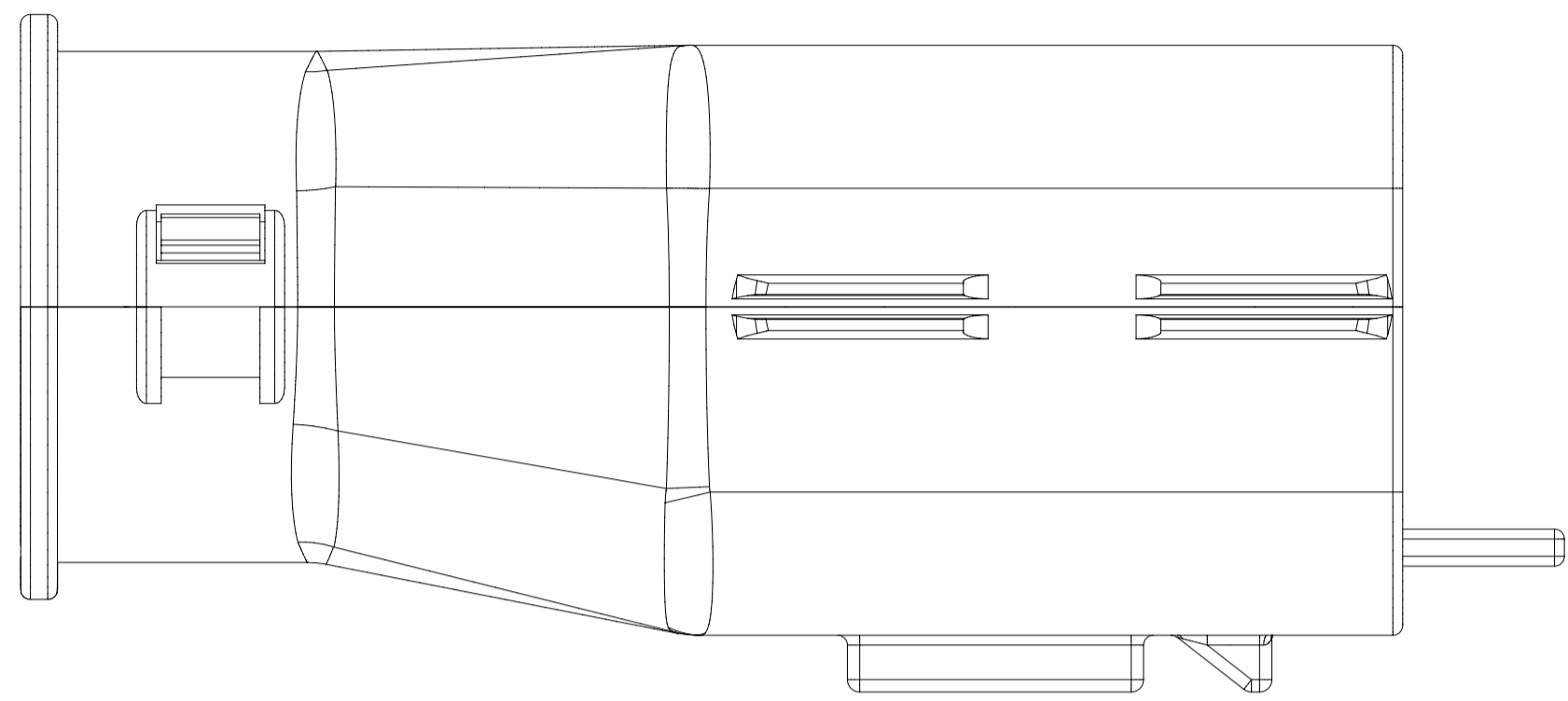
MX150 CIRCUIT SIZE 04, 06, 08, 12, 16, 20



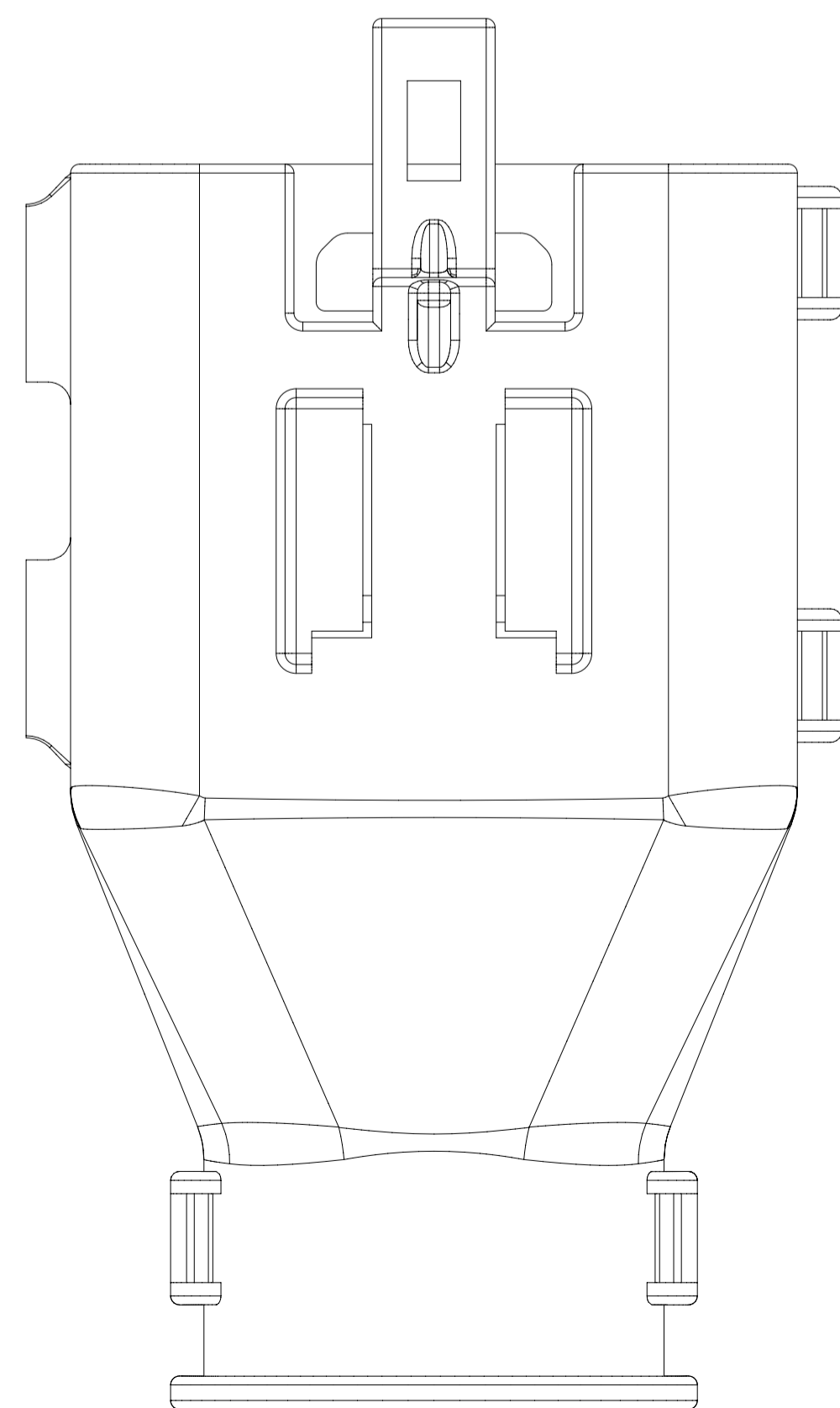
SCALE 1.5:1

<b>SYMBOLS</b> = 0 mm 1.5:1 = 0 GENERAL TOLERANCES (UNLESS SPECIFIED) = 0 ANGULAR TOL ± 1.0° = 0 4 PLACES ± = 0 3 PLACES ± = 0 2 PLACES ± 0.1 = 0 1 PLACE ± 0.2 = 0 0 PLACES ± = 0 DRAFT WHERE APPLICABLE MUST REMAIN WITHIN DIMENSIONS = 0 THIRD ANGLE PROJECTION	THIS DRAWING CONTAINS INFORMATION THAT IS PROPRIETARY TO MOLEX ELECTRONIC TECHNOLOGIES, LLC AND SHOULD NOT BE USED WITHOUT WRITTEN PERMISSION		CURRENT REV DESC: EC NO: 171650 DRWN: PMANJUNATHAC 2018/01/03 CHK'D: MVANSLAMBROU 2018/02/16 APPR: MVANSLAMBROU 2018/02/16				
	GENERAL TOLERANCES (UNLESS SPECIFIED)		INITIAL REVISION: DRWN: APROFFITT 2014/04/28 APPR: VKOSHY 2014/05/14				
	ANGULAR TOL ± 1.0°		4 PLACES ±		DOCUMENT NUMBER <b>SD-33482-0001</b>		
	3 PLACES ±		2 PLACES ± 0.1		DOC TYPE   DOC PART   REVISION PSD   001   E2		
2 PLACES ± 0.1		1 PLACE ± 0.2		MATERIAL NUMBER CUSTOMER GENERAL MARKET			
1 PLACE ± 0.2		0 PLACES ±		SHEET NUMBER 7 OF 11			
DRAFT WHERE APPLICABLE MUST REMAIN WITHIN DIMENSIONS		THIRD ANGLE PROJECTION		DRAWING <b>A1-SIZE</b>			
0 mm 1.5:1		SCALE <b>1.5:1</b>		SERIES <b>33482</b>			

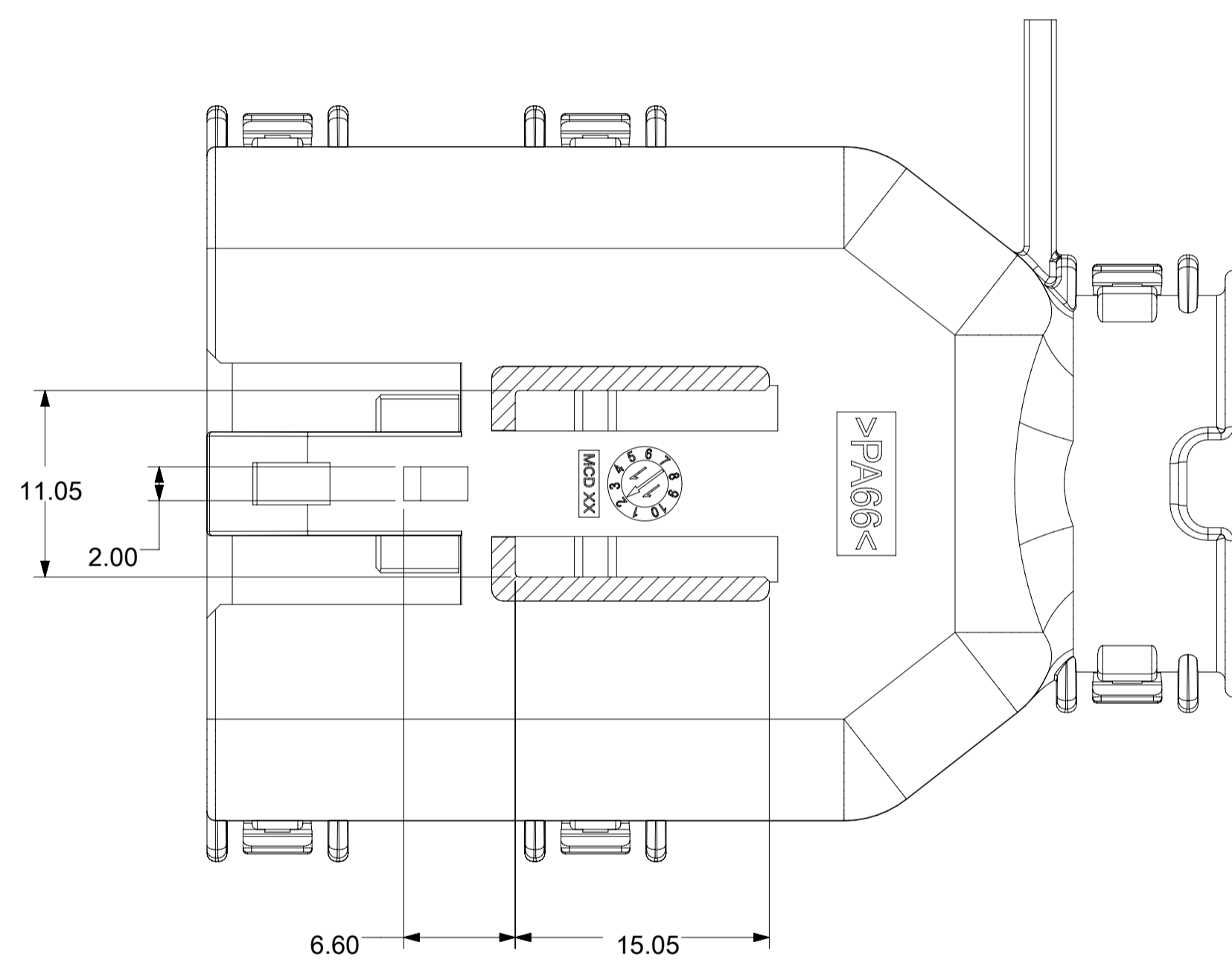
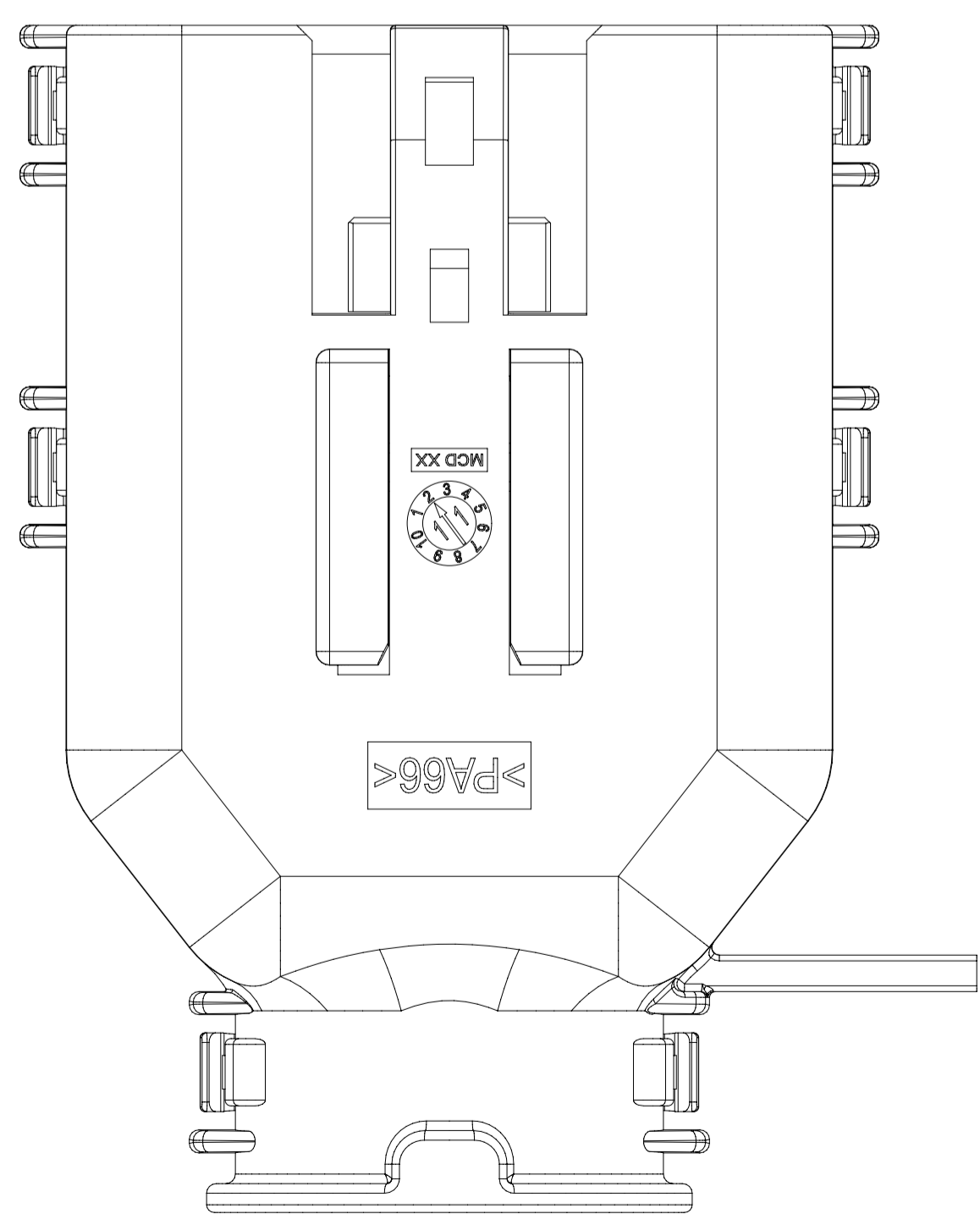
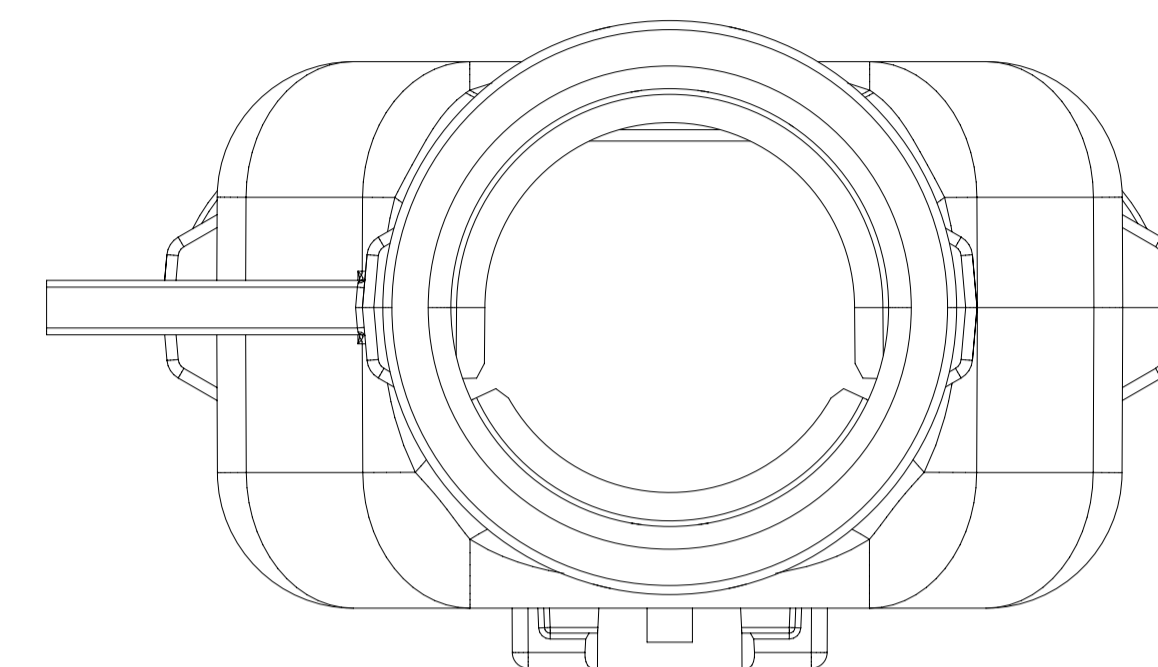
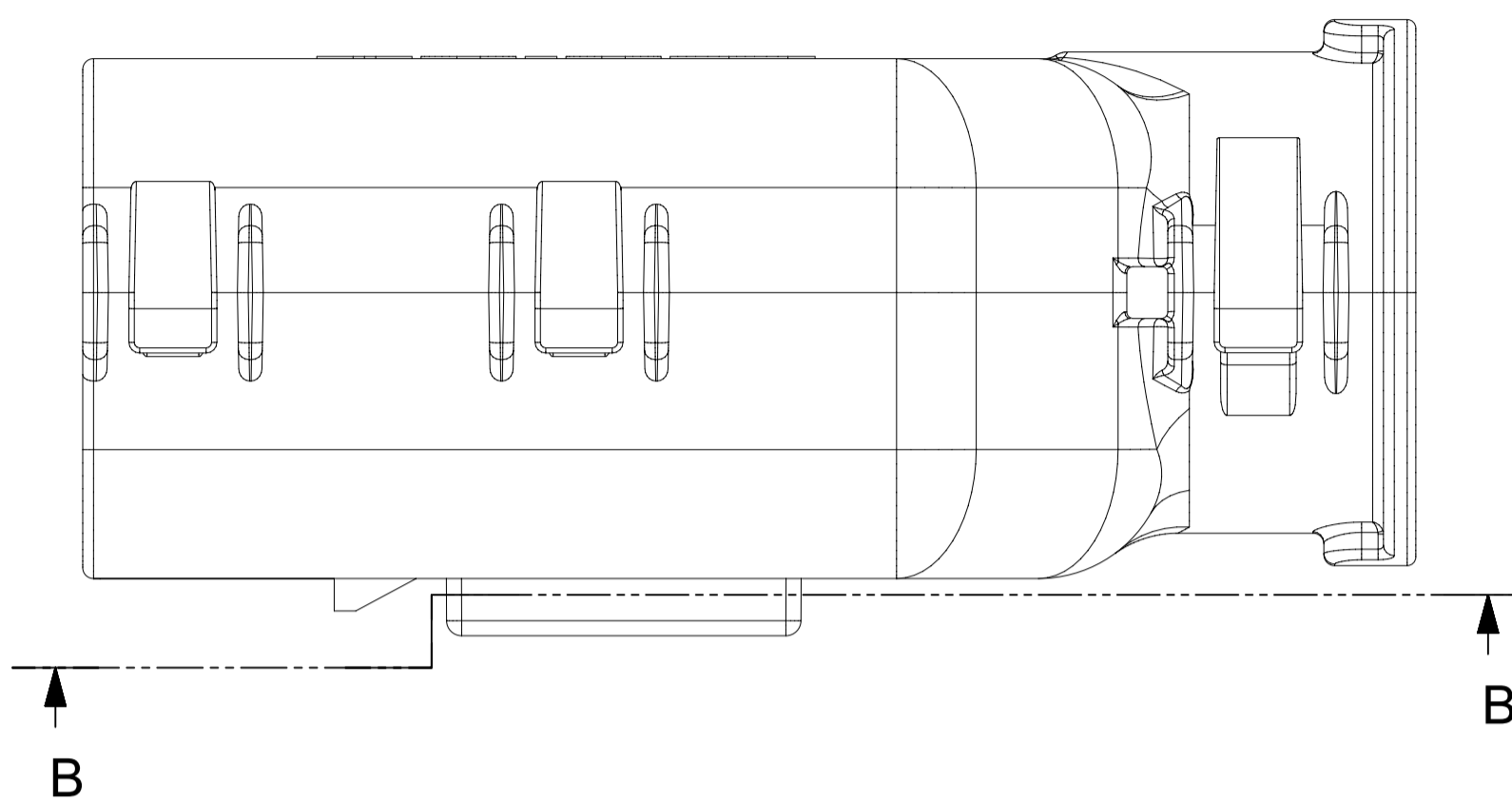
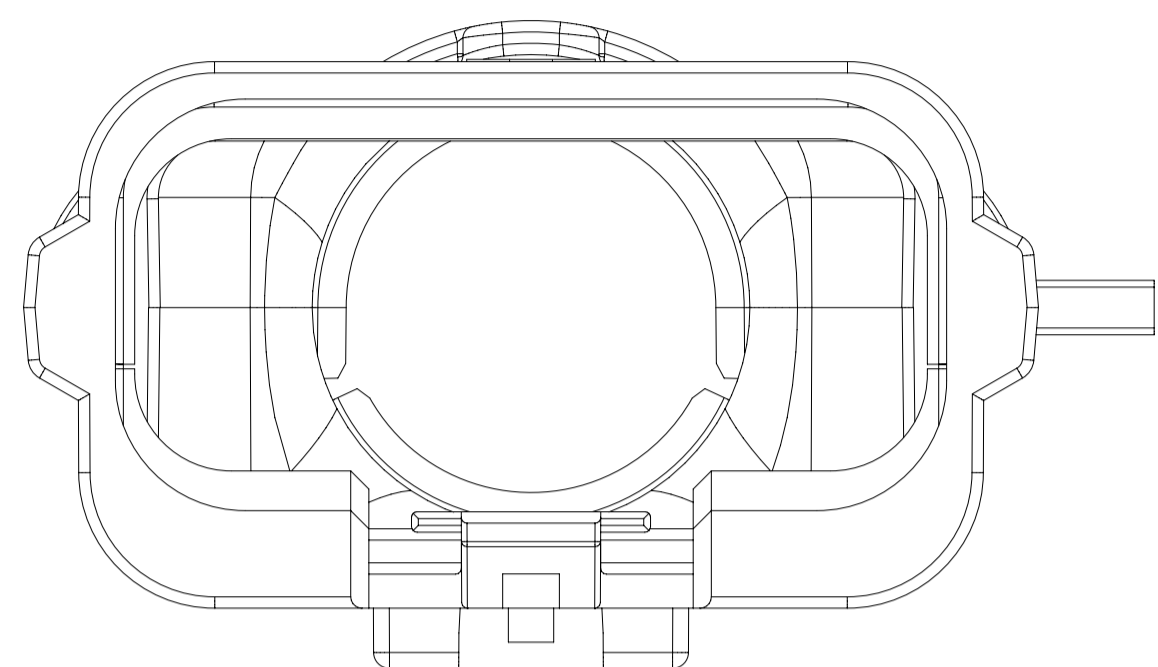
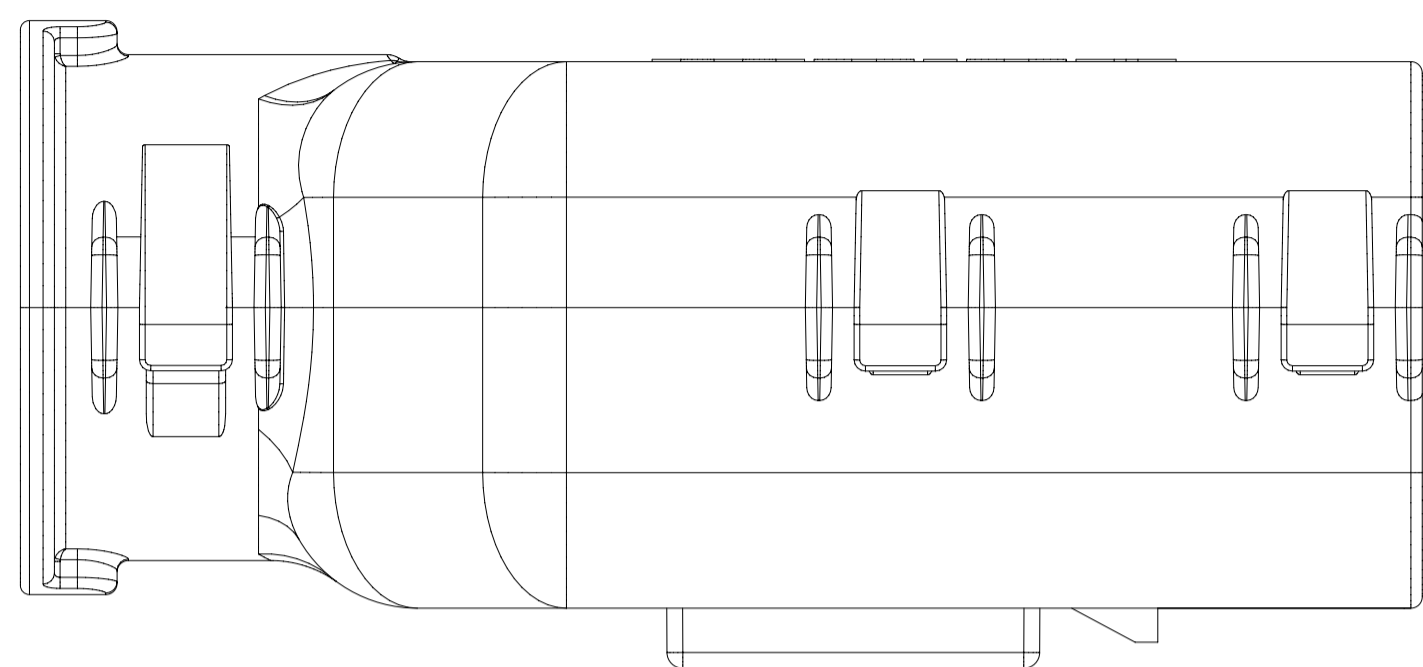
SHEET DESCRIPTION  
SCHLEMMER BACKSHELL



SECTION A-A



<b>SYMBOLS</b> = 0 = 0 = 0 = 0 = 0 = 0 = 0 = 0 = 0 = 0	THIS DRAWING CONTAINS INFORMATION THAT IS PROPRIETARY TO MOLEX ELECTRONIC TECHNOLOGIES, LLC AND SHOULD NOT BE USED WITHOUT WRITTEN PERMISSION DIMENSION UNITS: <b>mm</b> SCALE: <b>3.5:1</b> GENERAL TOLERANCES (UNLESS SPECIFIED) ANGULAR TOL: ± 1.0° 4 PLACES: ± 3 PLACES: ± 2 PLACES: ± 0.1 1 PLACE: ± 0.2 0 PLACES: ± DRAFT WHERE APPLICABLE MUST REMAIN WITHIN DIMENSIONS	CURRENT REV DESC:  EC NO: 171650 DRWN: PMANJUNATHAC 2018/01/03 CHK'D: MVANSLAMBROU 2018/02/16 APPR: MVANSLAMBROU 2018/02/16 INITIAL REVISION: DRWN: APROFFITT 2014/04/28 APPR: VKOSHY 2014/05/14	 MX150 BLADE DUAL ROW SEALED ASSEMBLY MAT SEAL		
	PRODUCT CUSTOMER DRAWING DOCUMENT NUMBER: <b>SD-33482-0001</b> DOC TYPE: PSD DOC PART: 001 REVISION: E2			MATERIAL NUMBER: <b>33482</b> CUSTOMER: <b>GENERAL MARKET</b> SHEET NUMBER: <b>8 OF 11</b>	



SECTION B-B

<b>SYMBOLS</b> = 0 = 0 = 0 = 0 = 0 = 0 = 0 = 0 = 0 = 0	THIS DRAWING CONTAINS INFORMATION THAT IS PROPRIETARY TO MOLEX ELECTRONIC TECHNOLOGIES, LLC AND SHOULD NOT BE USED WITHOUT WRITTEN PERMISSION		<b>SCALE</b> <b>3:1</b>		<b>CURRENT REV DESC:</b>							
	<b>DIMENSION UNITS</b> <b>mm</b>		<b>GENERAL TOLERANCES (UNLESS SPECIFIED)</b> ANGULAR TOL ± 1.0°		EC NO: 171650 DRWN: PMANJUNATHAC 2018/01/03 CHK'D: MVANSLAMBROU 2018/02/16 APPR: MVANSLAMBROU 2018/02/16					<b>PRODUCT CUSTOMER DRAWING</b>		
4 PLACES ± 3 PLACES ± 2 PLACES ± 0.1 1 PLACE ± 0.2 0 PLACES ±		DRAFT WHERE APPLICABLE MUST REMAIN WITHIN DIMENSIONS		THIRD ANGLE PROJECTION		INITIAL REVISION: DRWN: APROFFITT 2014/04/28 APPR: VKOSHY 2014/05/14		DOCUMENT NUMBER <b>SD-33482-0001</b>	DOC TYPE PSD	DOC PART 001	REVISION <b>E2</b>	
<b>DOCUMENT STATUS</b> P1		<b>RELEASE DATE</b> 2018/02/16 22:02:26		<b>DRAWING</b> A1-SIZE		<b>SERIES</b> 33482		<b>MATERIAL NUMBER</b>		<b>CUSTOMER</b> GENERAL MARKET		<b>SHEET NUMBER</b> 9 OF 11





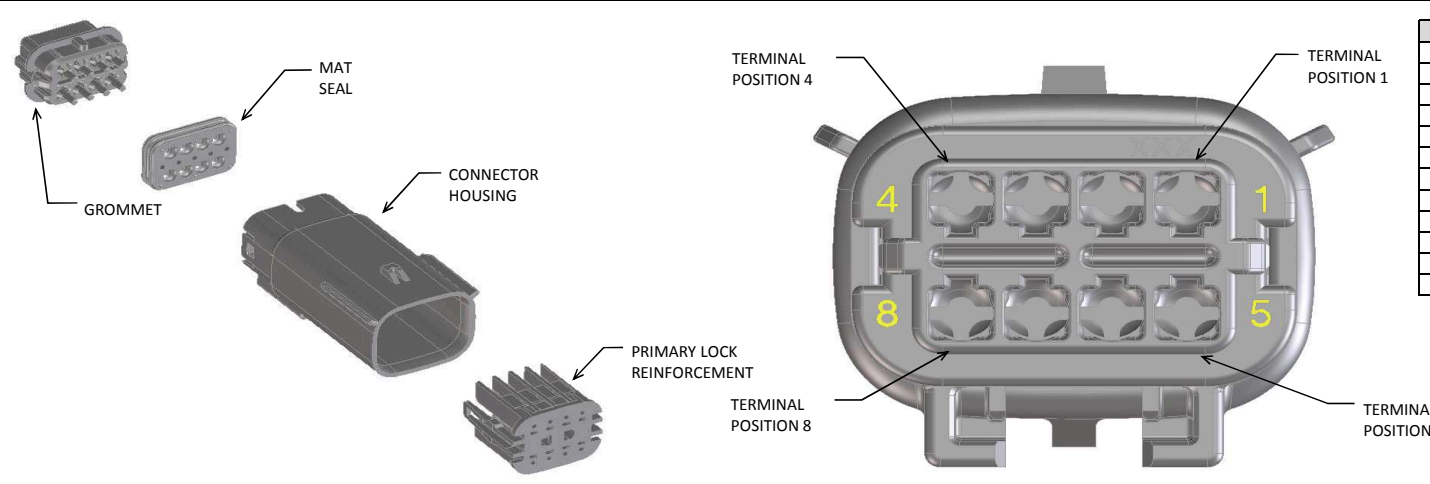




**MX150 2X3 BLADE SEALED ASSEMBLY MAT SEAL  
BOM AND PIN OUT SHEET**

ASSEMBLY DESCRIPTION	ASSEMBLY PART NUMBER	COMPONENT				BLOCKED TERMINALS										STATUS	COMMENTS	OPTIONAL ATTACHMENTS SOLD SEPERATELY				
		THE PRESENCE OF AN ABBREVIATION INDICATES THE PRESENCE OF THAT COMPONENT.				CAVITY WITH A NUMBER INDICATES BLOCKED TERMINAL POSITION CAVITY WITHOUT A NUMBER INDICATES OPEN TERMINAL POSITION												BACKSHELL WITH RIBS	BACKSHELL WITHOUT RIBS			
		HOUSING KEY/COLOR	GROMMET CAP	PLR	MAT SEAL	1	2	3	4	5	6											
KEY A, BLACK	33482-3649	A-BLK	GC	PLR	M				4		6								SALEABLE		34950-0610	34950-0620
KEY A, BLACK	33482-3650	A-BLK	GC	PLR	M	1		3		5									SALEABLE		34950-0610	34950-0620
KEY A, BLACK	33482-3651	A-BLK	GC	PLR	M		2		4		6								SALEABLE		34950-0610	34950-0620
KEY A, BLACK	33482-3652	A-BLK	GC	PLR	M	1					6								SALEABLE		34950-0610	34950-0620
KEY A, BLACK	33482-3653	A-BLK	GC	PLR	M		2			5									SALEABLE		34950-0610	34950-0620
KEY A, BLACK	33482-3654	A-BLK	GC	PLR	M	1		3	4										SALEABLE		34950-0610	34950-0620
KEY A, BLACK	33482-3655	A-BLK	GC	PLR	M	1	2	3		5	6								SALEABLE		34950-0610	34950-0620

**MX150 2X4 BLADE SEALED ASSEMBLY MAT SEAL  
BOM AND PIN OUT SHEET**



ABBREVIATION	DESCRIPTION	COLOR	MATERIAL
A-BLK	HOUSING, KEYING OPTION A	BLACK	SPS/NYLON GF20
B-LG	HOUSING, KEYING OPTION B	LIGHT GRAY	SPS/NYLON GF20
C-BR	HOUSING, KEYING OPTION C	BROWN	SPS/NYLON GF20
D-GR	HOUSING, KEYING OPTION D	GREEN	SPS/NYLON GF20
C-DG	HOUSING, KEYING OPTION C	DARK GRAY	SPS/NYLON GF20
D-SG	HOUSING, KEYING OPTION D	STONE GRAY	SPS/NYLON GF20
A-YW	HOUSING, KEYING OPTION A	YELLOW	SPS/NYLON GF20
GCP	GROMMET CAP (PLUGGED)	BLACK	SPS/NYLON GF20
GCO	GROMMET CAP (OPEN)	BLACK	SPS/NYLON GF20
PLR	PLR	NATURAL	SPS/NYLON GF20
M-R	MAT SEAL	RUST RED	INHERENTLY LUBRICATED SILICONE
M-B	MAT SEAL	ROYAL BLUE	INHERENTLY LUBRICATED SILICONE

FOR ADDITIONAL INFORMATION SEE SD-33482-0001  
OR E-33482-0001

ASSEMBLY DESCRIPTION	ASSEMBLY PART NUMBER	COMPONENT				BLOCKED TERMINALS								STATUS	COMMENTS	OPTIONAL ATTACHMENTS SOLD SEPERATELY					
		THE PRESENCE OF AN ABBREVIATION INDICATES THE PRESENCE OF THAT COMPONENT.				CAVITY WITH A NUMBER INDICATES BLOCKED TERMINAL POSITION CAVITY WITHOUT A NUMBER INDICATES OPEN TERMINAL POSITION										BACKSHELL WITH RIBS	BACKSHELL WITHOUT RIBS	90° ADAPTOR WITH RIBS	90° ADAPTOR WITHOUT RIBS		
		HOUSING KEY/COLOR	GROMMET CAP	PLR	MAT SEAL	1	2	3	4	5	6	7	8								
KEY A, BLACK	33482-0801	A-BLK	GCO	PLR	M-R											PLANNED OBSOLESCE	SEE 33482-4801	34950-0811	34950-0821	34951-0831	34951-0841
KEY B, LIGHT GRAY	33482-0802	B-LG	GCO	PLR	M-R											PLANNED OBSOLESCE	SEE 33482-4802	34950-0811	34950-0821	34951-0831	34951-0841
KEY C, BROWN	33482-0803	C-BR	GCO	PLR	M-R											PLANNED OBSOLESCE	SEE 33482-4803	34950-0811	34950-0821	34951-0831	34951-0841
KEY D, GREEN	33482-0804	D-GR	GCO	PLR	M-R											PLANNED OBSOLESCE	SEE 33482-4804	34950-0811	34950-0821	34951-0831	34951-0841
VOID KEY	33482-0805																				
KEY A, BLACK	33482-0806	A-BLK	GCP	PLR	M-R				4							PLANNED OBSOLESCE	SEE 33482-4806	34950-0811	34950-0821	34951-0831	34951-0841
KEY B, LIGHT GRAY	33482-0807	B-LG	GCP	PLR	M-R				4							PLANNED OBSOLESCE	SEE 33482-4807	34950-0811	34950-0821	34951-0831	34951-0841
KEY C, BROWN	33482-0808	C-BR	GCP	PLR	M-R				4							PLANNED OBSOLESCE	SEE 33482-4808	34950-0811	34950-0821	34951-0831	34951-0841
KEY D, GREEN	33482-0809	D-GR	GCP	PLR	M-R				4							PLANNED OBSOLESCE	SEE 33482-4809	34950-0811	34950-0821	34951-0831	34951-0841
VOID KEY	33482-0810																				
KEY A, BLACK	33482-0811	A-BLK	GCP	PLR	M-R				4	5						PLANNED OBSOLESCE	SEE 33482-4811	34950-0811	34950-0821	34951-0831	34951-0841
KEY B, LIGHT GRAY	33482-0812	B-LG	GCP	PLR	M-R				4	5						PLANNED OBSOLESCE	SEE 33482-4812	34950-0811	34950-0821	34951-0831	34951-0841
KEY C, BROWN	33482-0813	C-BR	GCP	PLR	M-R				4	5						PLANNED OBSOLESCE	SEE 33482-4813	34950-0811	34950-0821	34951-0831	34951-0841
KEY D, GREEN	33482-0814	D-GR	GCP	PLR	M-R				4	5						PLANNED OBSOLESCE	SEE 33482-4814	34950-0811	34950-0821	34951-0831	34951-0841
VOID KEY	33482-0815																				
KEY A, BLACK	33482-0816	A-BLK	GCP	PLR	M-R	1			4	5						PLANNED OBSOLESCE	SEE 33482-4816	34950-0811	34950-0821	34951-0831	34951-0841
KEY B, LIGHT GRAY	33482-0817	B-LG	GCP	PLR	M-R	1			4	5						PLANNED OBSOLESCE	SEE 33482-4817	34950-0811	34950-0821	34951-0831	34951-0841
KEY C, BROWN	33482-0818	C-BR	GCP	PLR	M-R	1			4	5						PLANNED OBSOLESCE	SEE 33482-4818	34950-0811	34950-0821	34951-0831	34951-0841
KEY D, GREEN	33482-0819	D-GR	GCP	PLR	M-R	1			4	5						PLANNED OBSOLESCE	SEE 33482-4819	34950-0811	34950-0821	34951-0831	34951-0841
VOID KEY	33482-0820																				
KEY A, BLACK	33482-0821	A-BLK	GCP	PLR	M-R	1			4	5			8			PLANNED OBSOLESCE	SEE 33482-4821	34950-0811	34950-0821	34951-0831	34951-0841
KEY B, LIGHT GRAY	33482-0822	B-LG	GCP	PLR	M-R	1			4	5			8			PLANNED OBSOLESCE	SEE 33482-4822	34950-0811	34950-0821	34951-0831	34951-0841
KEY C, BROWN	33482-0823	C-BR	GCP	PLR	M-R	1			4	5			8			PLANNED OBSOLESCE	SEE 33482-4823	34950-0811	34950-0821	34951-0831	34951-0841
KEY D, GREEN	33482-0824	D-GR	GCP	PLR	M-R	1			4	5			8			PLANNED OBSOLESCE	SEE 33482-4824	34950-0811	34950-0821	34951-0831	34951-0841
VOID KEY	33482-0825																				
KEY A, BLACK	33482-0826	A-BLK	GCP	PLR	M-R	1	2	3					6	7	8	PLANNED OBSOLESCE	SEE 33482-4826	34950-0811	34950-0821	34951-0831	34951-0841
KEY A, BLACK	33482-0827	A-BLK	GCP	PLR	M-R										8	PLANNED OBSOLESCE	SEE 33482-4827	34950-0811	34950-0821	34951-0831	34951-0841
KEY A, BLACK	33482-0828	A-BLK	GCP	PLR	M-R			3					5			PLANNED OBSOLESCE	SEE 33482-4828	34950-0811	34950-0821	34951-0831	34951-0841
KEY A, BLACK	33482-0829	A-BLK	GCP	PLR	M-R		2	3	4	5	6	7				PLANNED OBSOLESCE	SEE 33482-4829	34950-0811	34950-0821	34951-0831	34951-0841
KEY A, BLACK	33482-0830	A-BLK	GCP	PLR	M-R						6					PLANNED OBSOLESCE	SEE 33482-4830	34950-0811	34950-0821	34951-0831	34951-0841
KEY A, BLACK	33482-0831	A-BLK	GCP	PLR	M-R			3			5	6				PLANNED OBSOLESCE	SEE 33482-4831	34950-0811	34950-0821	34951-0831	34951-0841
KEY A, BLACK	33482-0832	A-BLK	GCP	PLR	M-R						5	6		8		PLANNED OBSOLESCE	SEE 33482-4832	34950-0811	34950-0821	34951-0831	34951-0841
KEY A, BLACK	33482-0833	A-BLK	GCP	PLR	M-R	1		3			5					PLANNED OBSOLESCE	SEE 33482-4833	34950-0811	34950-0821	34951-0831	34951-0841
KEY A, BLACK	33482-0834	A-BLK	GCP	PLR	M-R	1	2	3	4	5	6	7	8			PLANNED OBSOLESCE	SEE 33482-4834	34950-0811	34950-0821	34951-0831	34951-0841
KEY A, BLACK	33482-0835	A-BLK	GCP	PLR	M-R							7	8			PLANNED OBSOLESCE	SEE 33482-4835	34950-0811	34950-0821	34951-0831	34951-0841
KEY A, BLACK	33482-0836	A-BLK	GCP	PLR	M-R		2	3				6	7	8		PLANNED OBSOLESCE	SEE 33482-4836	34950-0811	34950-0821	34951-0831	34951-0841
KEY A, BLACK	33482-0837	A-BLK	GCP	PLR	M-R	1			4							PLANNED OBSOLESCE	SEE 33482-4837	34950-0811	34950-0821	34951-0831	34951-0841
KEY A, BLACK	33482-0838	A-BLK	GCP	PLR	M-R		2	3			5	6	7	8		PLANNED OBSOLESCE	SEE 33482-4838	34950-0811	34950-0821	34951-0831	34951-0841
KEY B, LIGHT GRAY	33482-0839	B-LG	GCP	PLR	M-R									8		PLANNED OBSOLESCE	SEE 33482-4839	34950-0811	34950-0821	34951-0831	34951-0841
KEY A, BLACK	33482-0840	A-BLK	GCP	PLR	M-R		2	3			5	6		8		PLANNED OBSOLESCE	SEE 33482-4840	34950-0811	34950-0821	34951-0831	34951-0841
KEY A, BLACK	33482-0841	A-BLK	GCP	PLR	M-R						6	7				PLANNED OBSOLESCE	SEE 33482-4841	34950-0811	34950-0821	34951-0831	34951-0841
KEY A, BLACK	33482-0842	A-BLK	GCP	PLR	M-R							7				PLANNED OBSOLESCE	SEE 33482-4842	34950-0811	34950-0821	34951-0831	34951-0841
KEY A, BLACK	33482-0843	A-BLK	GCP	PLR	M-R				4				7			PLANNED OBSOLESCE	SEE 33482-4843	34950-0811	34950-0821	34951-0831	34951-0841
KEY A, BLACK	33482-0844	A-BLK	GCP	PLR	M-R			3				6				PLANNED OBSOLESCE	SEE 33482-4844	34950-0811	34950-0821	34951-0831	34951-0841
KEY A, BLACK	33482-0845	A-BLK	GCP	PLR	M-R		2	3	4	5	6					PLANNED OBSOLESCE	SEE 33482-4845	34950-0811	34950-0821	34951-0831	34951-0841
KEY A, BLACK	33482-0846	A-BLK	GCP	PLR	M-R				4	5		7	8			PLANNED OBSOLESCE	SEE 33482-4846	34950-0811	34950-0821	34951-0831	34951-0841
KEY B, LIGHT GRAY	33482-0847	B-LG	GCP	PLR	M-R	1	2	3	4	5	6	7	8			PLANNED OBSOLESCE	SEE 33482-4847	34950-0811	34950-0821	34951-0831	34951-0841
KEY A, BLACK	33482-0848	A-BLK	GCP	PLR	M-R						5					PLANNED OBSOLESCE	SEE 33482-4848	34950-0811	34950-0821	34951-0831	34951-0841
KEY B, LIGHT GRAY	33482-0849	B-LG	GCP	PLR	M-R	1						6				PLANNED OBSOLESCE	SEE 33482-4849	34950-0811	34950-0821	34951-0831	34951-0841
KEY A, YELLOW	33482-0850	A-YW	GCP	PLR	M-R	1			4							PLANNED OBSOLESCE	SEE 33482-4850	34950-0811	34950-0821	34951-0831	34951-0841
KEY A, YELLOW	33482-0851	A-YW	GCO	PLR	M-R											PLANNED OBSOLESCE	SEE 33482-4851	34950-0811	34950-0821	34951-0831	34951-0841
KEY C, DARK GRAY	33482-0852	C-DG	GCO	PLR	M-R											PLANNED OBSOLESCE	SEE 33482-4852	34950-0811	34950-0821	34951-0831	34951-0841
KEY D, STONE GRAY	33482-0853	D-SG	GCO	PLR	M-R											PLANNED OBSOLESCE	SEE 33482-4853	34950-0811	34950-0821	34951-0831	34951-0841
KEY A, BLACK	33482-0854	A-BLK	GCP	PLR	M-R	1	2	3	4							PLANNED OBSOLESCE	SEE 33482-4854	34950-0811	34950-0821	34951-0831	34951-0841
KEY A, BLACK	33482-0855	A-BLK	GCP	PLR	M-R	1	2			5	6	7	8			PLANNED OBSOLESCE	SEE 33482-4855	34950-0811	34950-0821	34951-0831	34951-0841
KEY A, BLACK	33482-0856	A-BLK	GCP	PLR	M-R	1	2									PLANNED OBSOLESCE	SEE 33482-4856	34950-0811	34950-0821	34951-0831	34951-0841

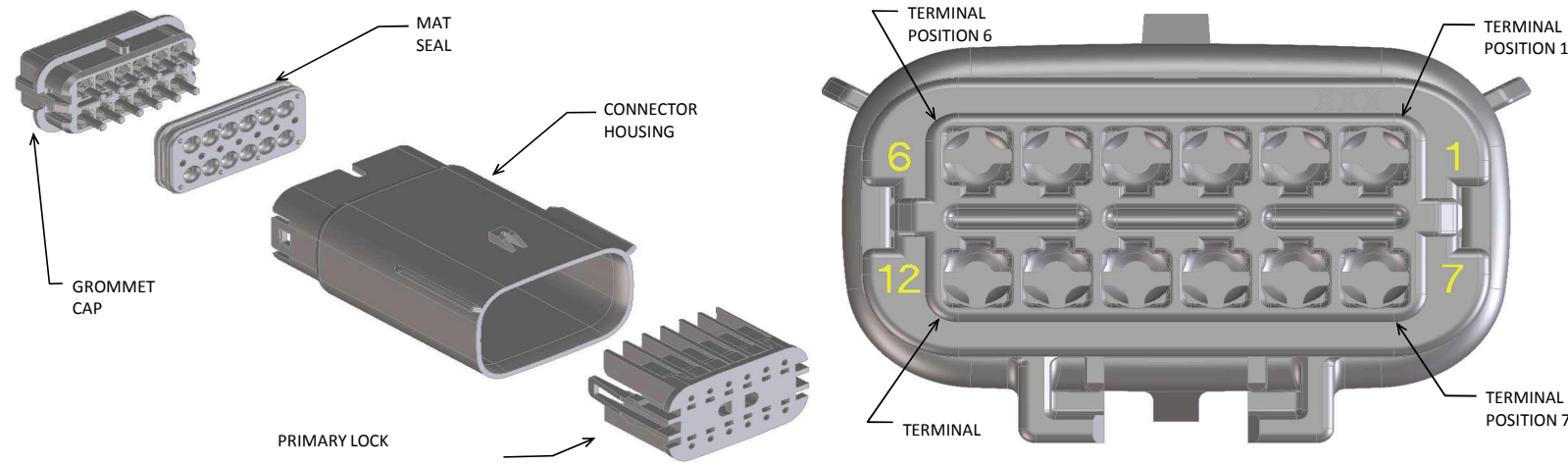
MX150 2X4 BLADE SEALED ASSEMBLY MAT SEAL  
BOM AND PIN OUT SHEET

ASSEMBLY DESCRIPTION	ASSEMBLY PART NUMBER	COMPONENT				BLOCKED TERMINALS								STATUS	COMMENTS	OPTIONAL ATTACHMENTS SOLD SEPERATELY					
		THE PRESENCE OF AN ABBREVIATION INDICATES THE PRESENCE OF THAT COMPONENT.				CAVITY WITH A NUMBER INDICATES BLOCKED TERMINAL POSITION CAVITY WITHOUT A NUMBER INDICATES OPEN TERMINAL POSITION										BACKSHELL WITH RIBS	BACKSHELL WITHOUT RIBS	90° ADAPTOR WITH RIBS	90° ADAPTOR WITHOUT RIBS		
		HOUSING KEY/COLOR	GROMMET CAP	PLR	MAT SEAL	1	2	3	4	5	6	7	8								
KEY A, BLACK	33482-0857	A-BLK	GCP	PLR	M-R	1	2	3		5						PLANNED OBSOLESCENCE	SEE 33482-4857	34950-0811	34950-0821	34951-0831	34951-0841
KEY A, BLACK	33482-0858	A-BLK	GCP	PLR	M-R	1	2	3	4	5						PLANNED OBSOLESCENCE	SEE 33482-4858	34950-0811	34950-0821	34951-0831	34951-0841
KEY A, BLACK	33482-0859	A-BLK	GCP	PLR	M-R	1		3		5	6	7				PLANNED OBSOLESCENCE	SEE 33482-4859	34950-0811	34950-0821	34951-0831	34951-0841
KEY A, BLACK	33482-0860	A-BLK	GCP	PLR	M-R	1	2	3	4	5	6					PLANNED OBSOLESCENCE	SEE 33482-4860	34950-0811	34950-0821	34951-0831	34951-0841
KEY A, BLACK	33482-0861	A-BLK	GCP	PLR	M-R	1	2	3		6						PLANNED OBSOLESCENCE	SEE 33482-4861	34950-0811	34950-0821	34951-0831	34951-0841
KEY A, BLACK	33482-0862	A-BLK	GCP	PLR	M-R	1				6						PLANNED OBSOLESCENCE	SEE 33482-4862	34950-0811	34950-0821	34951-0831	34951-0841
KEY A, BLACK	33482-0863	A-BLK	GCP	PLR	M-R	1				6	7	8				PLANNED OBSOLESCENCE	SEE 33482-4863	34950-0811	34950-0821	34951-0831	34951-0841
KEY A, BLACK	33482-0864	A-BLK	GCP	PLR	M-R			3	4	5	6	7	8			PLANNED OBSOLESCENCE	SEE 33482-4864	34950-0811	34950-0821	34951-0831	34951-0841
KEY A, BLACK	33482-0865	A-BLK	GCP	PLR	M-R				4			7	8			PLANNED OBSOLESCENCE	SEE 33482-4865	34950-0811	34950-0821	34951-0831	34951-0841
KEY A, BLACK	33482-0866	A-BLK	GCP	PLR	M-R				4	5	6	7	8			PLANNED OBSOLESCENCE	SEE 33482-4866	34950-0811	34950-0821	34951-0831	34951-0841
KEY A, BLACK	33482-0867	A-BLK	GCP	PLR	M-R		2	3	4		6	7	8			PLANNED OBSOLESCENCE	SEE 33482-4867	34950-0811	34950-0821	34951-0831	34951-0841
KEY A, BLACK	33482-0868	A-BLK	GCP	PLR	M-R				3	4						PLANNED OBSOLESCENCE	SEE 33482-4868	34950-0811	34950-0821	34951-0831	34951-0841
KEY A, BLACK	33482-0869	A-BLK	GCP	PLR	M-R											PLANNED OBSOLESCENCE	SEE 33482-4869	34950-0811	34950-0821	34951-0831	34951-0841
KEY A, BLACK	33482-0870	A-BLK	GCP	PLR	M-R						6	7	8			PLANNED OBSOLESCENCE	SEE 33482-4870	34950-0811	34950-0821	34951-0831	34951-0841
KEY B, LIGHT GRAY	33482-0871	B-LG	GCP	PLR	M-R							7	8			PLANNED OBSOLESCENCE	SEE 33482-4871	34950-0811	34950-0821	34951-0831	34951-0841
KEY A, BLACK	33482-0872	A-BLK	GCP	PLR	M-R	1										PLANNED OBSOLESCENCE	SEE 33482-4872	34950-0811	34950-0821	34951-0831	34951-0841
KEY A, BLACK	33482-0873	A-BLK	GCP	PLR	M-R						6					PLANNED OBSOLESCENCE	SEE 33482-4873	34950-0811	34950-0821	34951-0831	34951-0841
KEY A, BLACK	33482-0874	A-BLK	GCP	PLR	M-R			2								PLANNED OBSOLESCENCE	SEE 33482-4874	34950-0811	34950-0821	34951-0831	34951-0841
KEY A, BLACK	33482-0875	A-BLK	GCP	PLR	M-R						5					PLANNED OBSOLESCENCE	SEE 33482-4875	34950-0811	34950-0821	34951-0831	34951-0841
KEY B, LIGHT GRAY	33482-0876	B-LG	GCP	PLR	M-R	1		3						8		PLANNED OBSOLESCENCE	SEE 33482-4876	34950-0811	34950-0821	34951-0831	34951-0841
KEY B, LIGHT GRAY	33482-0877	B-LG	GCP	PLR	M-R			3								PLANNED OBSOLESCENCE	SEE 33482-4877	34950-0811	34950-0821	34951-0831	34951-0841
KEY B, LIGHT GRAY	33482-0878	B-LG	GCP	PLR	M-R	1										PLANNED OBSOLESCENCE	SEE 33482-4878	34950-0811	34950-0821	34951-0831	34951-0841
KEY A, BLACK	33482-0879	A-BLK	GCP	PLR	M-R	1	2	3	4	5		7				PLANNED OBSOLESCENCE	SEE 33482-4879	34950-0811	34950-0821	34951-0831	34951-0841
KEY A, BLACK	33482-0880	A-BLK	GCP	PLR	M-R	1										PLANNED OBSOLESCENCE	SEE 33482-4880	34950-0811	34950-0821	34951-0831	34951-0841
KEY A, BLACK	33482-0881	A-BLK	GCP	PLR	M-R					5				8		PLANNED OBSOLESCENCE	SEE 33482-4881	34950-0811	34950-0821	34951-0831	34951-0841
KEY A, BLACK	33482-0882	A-BLK	GCP	PLR	M-R				4		6					PLANNED OBSOLESCENCE	SEE 33482-4882	34950-0811	34950-0821	34951-0831	34951-0841
KEY A, BLACK	33482-0883	A-BLK	GCP	PLR	M-R	1						7				PLANNED OBSOLESCENCE	SEE 33482-4883	34950-0811	34950-0821	34951-0831	34951-0841
KEY A, BLACK	33482-0884	A-BLK	GCP	PLR	M-R	1	2	3	4			7				PLANNED OBSOLESCENCE	SEE 33482-4884	34950-0811	34950-0821	34951-0831	34951-0841
KEY A, BLACK	33482-0885	A-BLK	GCP	PLR	M-R	1	2			5	6			8		PLANNED OBSOLESCENCE	SEE 33482-4885	34950-0811	34950-0821	34951-0831	34951-0841
KEY A, BLACK	33482-0886	A-BLK	GCP	PLR	M-R		2	3						8		PLANNED OBSOLESCENCE	SEE 33482-4886	34950-0811	34950-0821	34951-0831	34951-0841
KEY A, BLACK	33482-0887	A-BLK	GCP	PLR	M-R	1		3	4			7	8			PLANNED OBSOLESCENCE	SEE 33482-4887	34950-0811	34950-0821	34951-0831	34951-0841
KEY A, BLACK	33482-0888	A-BLK	GCP	PLR	M-R				4	5	6					PLANNED OBSOLESCENCE	SEE 33482-4888	34950-0811	34950-0821	34951-0831	34951-0841
KEY A, BLACK	33482-0889	A-BLK	GCP	PLR	M-R	1	2		4	5	6			8		PLANNED OBSOLESCENCE	SEE 33482-4889	34950-0811	34950-0821	34951-0831	34951-0841
KEY A, BLACK	33482-0892	A-BLK	GCP	PLR	M-R		2	3		5				8		PLANNED OBSOLESCENCE	SEE 33482-4892	34950-0811	34950-0821	34951-0831	34951-0841
KEY A, BLACK	33482-4801	A-BLK	GCO	PLR	M-B											SALEABLE		34950-0811	34950-0821	34951-0831	34951-0841
KEY B, LIGHT GRAY	33482-4802	B-LG	GCO	PLR	M-B											SALEABLE		34950-0811	34950-0821	34951-0831	34951-0841
KEY C, BROWN	33482-4803	C-BR	GCO	PLR	M-B											NOT RECOMMENDED	SEE 33482-4852	34950-0811	34950-0821	34951-0831	34951-0841
KEY D, GREEN	33482-4804	D-GR	GCO	PLR	M-B											NOT RECOMMENDED	SEE 33482-4853	34950-0811	34950-0821	34951-0831	34951-0841
VOID KEY	33482-4805																				
KEY A, BLACK	33482-4806	A-BLK	GCP	PLR	M-B				4							SALEABLE		34950-0811	34950-0821	34951-0831	34951-0841
KEY B, LIGHT GRAY	33482-4807	B-LG	GCP	PLR	M-B				4							SALEABLE		34950-0811	34950-0821	34951-0831	34951-0841
KEY C, BROWN	33482-4808	C-BR	GCP	PLR	M-B				4							NOT RECOMMENDED		34950-0811	34950-0821	34951-0831	34951-0841
KEY D, GREEN	33482-4809	D-GR	GCP	PLR	M-B				4							NOT RECOMMENDED		34950-0811	34950-0821	34951-0831	34951-0841
VOID KEY	33482-4810																				
KEY A, BLACK	33482-4811	A-BLK	GCP	PLR	M-B				4	5						SALEABLE		34950-0811	34950-0821	34951-0831	34951-0841
KEY B, LIGHT GRAY	33482-4812	B-LG	GCP	PLR	M-B				4	5						SALEABLE		34950-0811	34950-0821	34951-0831	34951-0841
KEY C, BROWN	33482-4813	C-BR	GCP	PLR	M-B				4	5						NOT RECOMMENDED		34950-0811	34950-0821	34951-0831	34951-0841
KEY D, GREEN	33482-4814	D-GR	GCP	PLR	M-B				4	5						NOT RECOMMENDED		34950-0811	34950-0821	34951-0831	34951-0841
VOID KEY	33482-4815																				
KEY A, BLACK	33482-4816	A-BLK	GCP	PLR	M-B	1			4	5						SALEABLE		34950-0811	34950-0821	34951-0831	34951-0841
KEY B, LIGHT GRAY	33482-4817	B-LG	GCP	PLR	M-B	1			4	5						SALEABLE		34950-0811	34950-0821	34951-0831	34951-0841
KEY C, BROWN	33482-4818	C-BR	GCP	PLR	M-B	1			4	5						NOT RECOMMENDED		34950-0811	34950-0821	34951-0831	34951-0841
KEY D, GREEN	33482-4819	D-GR	GCP	PLR	M-B	1			4	5						NOT RECOMMENDED		34950-0811	34950-0821	34951-0831	34951-0841
VOID KEY	33482-4820																				
KEY A, BLACK	33482-4821	A-BLK	GCP	PLR	M-B	1			4	5				8		SALEABLE		34950-0811	34950-0821	34951-0831	34951-0841
KEY B, LIGHT GRAY	33482-4822	B-LG	GCP	PLR	M-B	1			4	5				8		SALEABLE		34950-0811	34950-0821	34951-0831	34951-0841
KEY C, BROWN	33482-4823	C-BR	GCP	PLR	M-B	1			4	5				8		NOT RECOMMENDED		34950-0811	34950-0821	34951-0831	34951-0841
KEY D, GREEN	33482-4824	D-GR	GCP	PLR	M-B	1			4	5				8		NOT RECOMMENDED		34950-0811	34950-0821	34951-0831	34951-0841
VOID KEY	33482-4825																				
KEY A, BLACK	33482-4826	A-BLK	GCP	PLR	M-B	1	2	3			6	7	8			SALEABLE		34950-0811	34950-0821	34951-0831	34951-0841
KEY A, BLACK	33482-4827	A-BLK	GCP	PLR	M-B									8		SALEABLE		34950-0811	34950-0821	34951-0831	34951-0841
KEY A, BLACK	33482-4828	A-BLK	GCP	PLR	M-B				3		5					SALEABLE		34950-0811	34950-0821	34951-0831	34951-0841
KEY A, BLACK	33482-4829	A-BLK	GCP	PLR	M-B		2	3	4	5	6	7				SALEABLE		34950-0811	34950-0821	34951-0831	34951-0841
KEY A, BLACK	33482-4830	A-BLK	GCP	PLR	M-B						6					SALEABLE		34950-0811	34950-0821	34951-0831	34951-0841
KEY A, BLACK	33482-4831	A-BLK	GCP	PLR	M-B				3		5	6				SALEABLE		34950-0811	34950-0821	34951-0831	34951-0841
KEY A, BLACK	33482-4832	A-BLK	GCP	PLR	M-B					5	6			8		SALEABLE		34950-0811	34950-0821	34951-0831	34951-0841
KEY A, BLACK	33482-4833	A-BLK	GCP	PLR	M-B	1			3		5					SALEABLE		34950-0811	34950-0821	34951-0831	34951-0841
KEY A, BLACK	33482-4																				

**MX150 2X4 BLADE SEALED ASSEMBLY MAT SEAL  
BOM AND PIN OUT SHEET**

ASSEMBLY DESCRIPTION	ASSEMBLY PART NUMBER	COMPONENT				BLOCKED TERMINALS								STATUS	COMMENTS	OPTIONAL ATTACHMENTS SOLD SEPERATELY				
		THE PRESENCE OF AN ABBREVIATION INDICATES THE PRESENCE OF THAT COMPONENT.				CAVITY WITH A NUMBER INDICATES BLOCKED TERMINAL POSITION CAVITY WITHOUT A NUMBER INDICATES OPEN TERMINAL POSITION										BACKSHELL WITH RIBS	BACKSHELL WITHOUT RIBS	90° ADAPTOR WITH RIBS	90° ADAPTOR WITHOUT RIBS	
		HOUSING KEY/COLOR	GROMMET CAP	PLR	MAT SEAL	1	2	3	4	5	6	7	8							
KEY A, YELLOW	33482-4851	A-YW	GCO	PLR	M-B										SALEABLE		34950-0811	34950-0821	34951-0831	34951-0841
KEY C, DARK GRAY	33482-4852	C-DG	GCO	PLR	M-B										SALEABLE		34950-0811	34950-0821	34951-0831	34951-0841
KEY D, STONE GRAY	33482-4853	D-SG	GCO	PLR	M-B										SALEABLE		34950-0811	34950-0821	34951-0831	34951-0841
KEY A, BLACK	33482-4854	A-BLK	GCP	PLR	M-B	1	2	3	4						SALEABLE		34950-0811	34950-0821	34951-0831	34951-0841
KEY A, BLACK	33482-4855	A-BLK	GCP	PLR	M-B	1	2			5	6	7	8		SALEABLE		34950-0811	34950-0821	34951-0831	34951-0841
KEY A, BLACK	33482-4856	A-BLK	GCP	PLR	M-B	1	2								SALEABLE		34950-0811	34950-0821	34951-0831	34951-0841
KEY A, BLACK	33482-4857	A-BLK	GCP	PLR	M-B	1	2	3		5					SALEABLE		34950-0811	34950-0821	34951-0831	34951-0841
KEY A, BLACK	33482-4858	A-BLK	GCP	PLR	M-B	1	2	3	4	5			8		SALEABLE		34950-0811	34950-0821	34951-0831	34951-0841
KEY A, BLACK	33482-4859	A-BLK	GCP	PLR	M-B	1		3		5	6	7			SALEABLE		34950-0811	34950-0821	34951-0831	34951-0841
KEY A, BLACK	33482-4860	A-BLK	GCP	PLR	M-B	1	2	3	4	5	6				SALEABLE		34950-0811	34950-0821	34951-0831	34951-0841
KEY A, BLACK	33482-4861	A-BLK	GCP	PLR	M-B	1	2	3		6					SALEABLE		34950-0811	34950-0821	34951-0831	34951-0841
KEY A, BLACK	33482-4862	A-BLK	GCP	PLR	M-B	1				6					SALEABLE		34950-0811	34950-0821	34951-0831	34951-0841
KEY A, BLACK	33482-4863	A-BLK	GCP	PLR	M-B	1				6	7	8			SALEABLE		34950-0811	34950-0821	34951-0831	34951-0841
KEY A, BLACK	33482-4864	A-BLK	GCP	PLR	M-B			3	4	5	6	7	8		SALEABLE		34950-0811	34950-0821	34951-0831	34951-0841
KEY A, BLACK	33482-4865	A-BLK	GCP	PLR	M-B				4		7	8			SALEABLE		34950-0811	34950-0821	34951-0831	34951-0841
KEY A, BLACK	33482-4866	A-BLK	GCP	PLR	M-B				4	5	6	7	8		SALEABLE		34950-0811	34950-0821	34951-0831	34951-0841
KEY A, BLACK	33482-4867	A-BLK	GCP	PLR	M-B		2	3	4		6	7	8		SALEABLE		34950-0811	34950-0821	34951-0831	34951-0841
KEY A, BLACK	33482-4868	A-BLK	GCP	PLR	M-B					5	6	7			SALEABLE		34950-0811	34950-0821	34951-0831	34951-0841
KEY A, BLACK	33482-4869	A-BLK	GCP	PLR	M-B			3	4						SALEABLE		34950-0811	34950-0821	34951-0831	34951-0841
KEY A, BLACK	33482-4870	A-BLK	GCP	PLR	M-B					6	7	8			SALEABLE		34950-0811	34950-0821	34951-0831	34951-0841
KEY B, LIGHT GRAY	33482-4871	B-LG	GCP	PLR	M-B							7	8		SALEABLE		34950-0811	34950-0821	34951-0831	34951-0841
KEY A, BLACK	33482-4872	A-BLK	GCP	PLR	M-B	1									SALEABLE		34950-0811	34950-0821	34951-0831	34951-0841
KEY A, BLACK	33482-4873	A-BLK	GCP	PLR	M-B					6			8		SALEABLE		34950-0811	34950-0821	34951-0831	34951-0841
KEY A, BLACK	33482-4874	A-BLK	GCP	PLR	M-B		2			5					SALEABLE		34950-0811	34950-0821	34951-0831	34951-0841
KEY A, BLACK	33482-4875	A-BLK	GCP	PLR	M-B					5					SALEABLE		34950-0811	34950-0821	34951-0831	34951-0841
KEY B, LIGHT GRAY	33482-4876	B-LG	GCP	PLR	M-B	1			3				8		SALEABLE		34950-0811	34950-0821	34951-0831	34951-0841
KEY B, LIGHT GRAY	33482-4877	B-LG	GCP	PLR	M-B			3							SALEABLE		34950-0811	34950-0821	34951-0831	34951-0841
KEY B, LIGHT GRAY	33482-4878	B-LG	GCP	PLR	M-B	1									SALEABLE		34950-0811	34950-0821	34951-0831	34951-0841
KEY A, BLACK	33482-4879	A-BLK	GCP	PLR	M-B	1	2	3	4	5		7			SALEABLE		34950-0811	34950-0821	34951-0831	34951-0841
KEY A, BLACK	33482-4880	A-BLK	GCP	PLR	M-B	1									SALEABLE		34950-0811	34950-0821	34951-0831	34951-0841
KEY A, BLACK	33482-4881	A-BLK	GCP	PLR	M-B					5			8		SALEABLE		34950-0811	34950-0821	34951-0831	34951-0841
KEY A, BLACK	33482-4882	A-BLK	GCP	PLR	M-B				4		6				SALEABLE		34950-0811	34950-0821	34951-0831	34951-0841
KEY A, BLACK	33482-4883	A-BLK	GCP	PLR	M-B	1						7			SALEABLE		34950-0811	34950-0821	34951-0831	34951-0841
KEY A, BLACK	33482-4884	A-BLK	GCP	PLR	M-B	1	2	3	4						SALEABLE		34950-0811	34950-0821	34951-0831	34951-0841
KEY A, BLACK	33482-4885	A-BLK	GCP	PLR	M-B	1	2			5	6		8		SALEABLE		34950-0811	34950-0821	34951-0831	34951-0841
KEY A, BLACK	33482-4886	A-BLK	GCP	PLR	M-B		2	3					8		SALEABLE		34950-0811	34950-0821	34951-0831	34951-0841
KEY A, BLACK	33482-4887	A-BLK	GCP	PLR	M-B	1		3	4			7	8		SALEABLE		34950-0811	34950-0821	34951-0831	34951-0841
KEY A, BLACK	33482-4888	A-BLK	GCP	PLR	M-B				4	5	6				SALEABLE		34950-0811	34950-0821	34951-0831	34951-0841
KEY A, BLACK	33482-4889	A-BLK	GCP	PLR	M-B	1	2		4	5	6		8		SALEABLE		34950-0811	34950-0821	34951-0831	34951-0841
KEY A, BLACK	33482-4890	A-BLK	GCP	PLR	M-B				4				8		SALEABLE		34950-0811	34950-0821	34951-0831	34951-0841
KEY A, BLACK	33482-4891	A-BLK	GCP	PLR	M-B				4	5			8		SALEABLE		34950-0811	34950-0821	34951-0831	34951-0841
KEY A, BLACK	33482-4892	A-BLK	GCP	PLR	M-B		2	3		5			8		SALEABLE		34950-0811	34950-0821	34951-0831	34951-0841
SUB ASSEMBLY DESCRIPTION	SUB ASSEMBLY PART NUMBER	COMPONENT				BLOCKED TERMINALS								STATUS	COMMENTS	OPTIONAL ATTACHMENTS SOLD SEPERATELY				
		THE PRESENCE OF AN ABBREVIATION INDICATES THE PRESENCE OF THAT COMPONENT.				CAVITY WITH A NUMBER INDICATES BLOCKED TERMINAL POSITION CAVITY WITHOUT A NUMBER INDICATES OPEN TERMINAL POSITION										BACKSHELL WITH RIBS	BACKSHELL WITHOUT RIBS	90° ADAPTOR WITH RIBS	90° ADAPTOR WITHOUT RIBS	
		HOUSING KEY/COLOR	GROMMET CAP	PLR	MAT SEAL	1	2	3	4	5	6	7	8							
KEY A, BLACK	34955-0801	A-BLK	GCO		M-R										PLANNED OBSOLESCENCE	SEE 34955-4801				
KEY A, BLACK	34955-4801	A-BLK	GCO		M-B										SALEABLE					

MX150 2X6 BLADE SEALED ASSY MAT SEAL  
BOM AND PIN OUT SHEET



ABBREVIATION	DESCRIPTION	COLOR	MATERIAL
A-BLK	HOUSING, KEYING OPTION A	BLACK	SPS/NYLON GF20
B-LG	HOUSING, KEYING OPTION B	LIGHT GRAY	SPS/NYLON GF20
C-BR	HOUSING, KEYING OPTION C	BROWN	SPS/NYLON GF20
D-GR	HOUSING, KEYING OPTION D	GREEN	SPS/NYLON GF20
A-YL	HOUSING, KEYING OPTION A	YELLOW	SPS/NYLON GF20
C-DG	HOUSING, KEYING OPTION C	DARK GRAY	SPS/NYLON GF20
D-SG	HOUSING, KEYING OPTION D	STONE GRAY	SPS/NYLON GF20
GCP	GROMMET CAP (PLUGGED)	BLACK	SPS/NYLON GF20
PLR	PLR	NATURAL	SPS/NYLON GF20
M-R	MAT SEAL	RUST RED	INHERENTLY LUBRICATED SILICONE
M-B	MAT SEAL	ROYAL BLUE	INHERENTLY LUBRICATED SILICONE

FOR ADDITIONAL INFORMATION SEE SD-33482-0001  
OR E-33482-0001

ASSEMBLY DESCRIPTION	ASSEMBLY PART NUMBER	COMPONENT				BLOCKED TERMINALS												STATUS	COMMENTS	OPTIONAL ATTACHMENTS SOLD SEPERATELY		
		THE PRESENCE OF AN ABBREVIATION INDICATES THE PRESENCE OF THAT COMPONENT.				CAVITY WITH A NUMBER INDICATES BLOCKED TERMINAL POSITION CAVITY WITHOUT A NUMBER INDICATES OPEN TERMINAL POSITION														BACKSHELL WITH RIBS	BACKSHELL WITHOUT RIBS	
		HOUSING KEY/COLOR	GROMMET CAP	PLR	MAT SEAL	1	2	3	4	5	6	7	8	9	10	11	12					
KEY A, BLACK	33482-1201	A-BLK	GCP	PLR	M-R														PLANNED OBSOLESCENCE	SEE 33482-6201	34950-1210	34950-1220
KEY B, LIGHT GRAY	33482-1202	B-LG	GCP	PLR	M-R														PLANNED OBSOLESCENCE	SEE 33482-6202	34950-1210	34950-1220
KEY C, BROWN	33482-1203	C-BR	GCP	PLR	M-R														PLANNED OBSOLESCENCE	SEE 33482-6203	34950-1210	34950-1220
KEY D, GREEN	33482-1204	D-GR	GCP	PLR	M-R														PLANNED OBSOLESCENCE	SEE 33482-6204	34950-1210	34950-1220
VOID KEY	33482-1205																					
KEY A, BLACK	33482-1206	A-BLK	GCP	PLR	M-R						6								PLANNED OBSOLESCENCE	SEE 33482-6206	34950-1210	34950-1220
KEY B, LIGHT GRAY	33482-1207	B-LG	GCP	PLR	M-R						6								PLANNED OBSOLESCENCE	SEE 33482-6207	34950-1210	34950-1220
KEY C, BROWN	33482-1208	C-BR	GCP	PLR	M-R						6								PLANNED OBSOLESCENCE	SEE 33482-6208	34950-1210	34950-1220
KEY D, GREEN	33482-1209	D-GR	GCP	PLR	M-R						6								PLANNED OBSOLESCENCE	SEE 33482-6209	34950-1210	34950-1220
VOID KEY	33482-1210																					
KEY A, BLACK	33482-1211	A-BLK	GCP	PLR	M-R						6	7							PLANNED OBSOLESCENCE	SEE 33482-6211	34950-1210	34950-1220
KEY B, LIGHT GRAY	33482-1212	B-LG	GCP	PLR	M-R						6	7							PLANNED OBSOLESCENCE	SEE 33482-6212	34950-1210	34950-1220
KEY C, BROWN	33482-1213	C-BR	GCP	PLR	M-R						6	7							PLANNED OBSOLESCENCE	SEE 33482-6213	34950-1210	34950-1220
KEY D, GREEN	33482-1214	D-GR	GCP	PLR	M-R						6	7							PLANNED OBSOLESCENCE	SEE 33482-6214	34950-1210	34950-1220
VOID KEY	33482-1215																					
KEY A, BLACK	33482-1216	A-BLK	GCP	PLR	M-R	1					6	7							PLANNED OBSOLESCENCE	SEE 33482-6216	34950-1210	34950-1220
KEY B, LIGHT GRAY	33482-1217	B-LG	GCP	PLR	M-R	1					6	7							PLANNED OBSOLESCENCE	SEE 33482-6217	34950-1210	34950-1220
KEY C, BROWN	33482-1218	C-BR	GCP	PLR	M-R	1					6	7							PLANNED OBSOLESCENCE	SEE 33482-6218	34950-1210	34950-1220
KEY D, GREEN	33482-1219	D-GR	GCP	PLR	M-R	1					6	7							PLANNED OBSOLESCENCE	SEE 33482-6219	34950-1210	34950-1220
VOID KEY	33482-1220																					
KEY A, BLACK	33482-1221	A-BLK	GCP	PLR	M-R	1					6	7					12		PLANNED OBSOLESCENCE	SEE 33482-6221	34950-1210	34950-1220
KEY B, LIGHT GRAY	33482-1222	B-LG	GCP	PLR	M-R	1					6	7					12		PLANNED OBSOLESCENCE	SEE 33482-6222	34950-1210	34950-1220
KEY C, BROWN	33482-1223	C-BR	GCP	PLR	M-R	1					6	7					12		PLANNED OBSOLESCENCE	SEE 33482-6223	34950-1210	34950-1220
KEY D, GREEN	33482-1224	D-GR	GCP	PLR	M-R	1					6	7					12		PLANNED OBSOLESCENCE	SEE 33482-6224	34950-1210	34950-1220
VOID KEY	33482-1225																					
KEY A, BLACK	33482-1226	A-BLK	GCP	PLR	M-R	1					6	7	8	9	10		12		PLANNED OBSOLESCENCE	SEE 33482-6226	34950-1210	34950-1220
KEY A, BLACK	33482-1227	A-BLK	GCP	PLR	M-R	1					6	7	8	9	10	11	12		PLANNED OBSOLESCENCE	SEE 33482-6227	34950-1210	34950-1220
KEY B, LIGHT GRAY	33482-1228	B-LG	GCP	PLR	M-R	1	2	3	4	5	6	7	8	9	10	11	12		PLANNED OBSOLESCENCE	SEE 33482-6228	34950-1210	34950-1220
KEY C, BROWN	33482-1229	C-BR	GCP	PLR	M-R	1	2	3	4	5	6	7	8	9	10	11	12		PLANNED OBSOLESCENCE	SEE 33482-6229	34950-1210	34950-1220
KEY D, GREEN	33482-1230	D-GR	GCP	PLR	M-R	1	2	3	4	5	6	7	8	9	10	11	12		PLANNED OBSOLESCENCE	SEE 33482-6230	34950-1210	34950-1220
VOID KEY	33482-1231																					
KEY A, BLACK	33482-1232	A-BLK	GCP	PLR	M-R		2	3					8				11		PLANNED OBSOLESCENCE	SEE 33482-6232	34950-1210	34950-1220
KEY A, BLACK	33482-1233	A-BLK	GCP	PLR	M-R		2	3			5	6	7	8			11		PLANNED OBSOLESCENCE	SEE 33482-6233	34950-1210	34950-1220
KEY A, BLACK	33482-1234	A-BLK	GCP	PLR	M-R						6	7							PLANNED OBSOLESCENCE	SEE 33482-6234	34950-1210	34950-1220
KEY A, BLACK	33482-1235	A-BLK	GCP	PLR	M-R		2	3			6	7	8		10	11			PLANNED OBSOLESCENCE	SEE 33482-6235	34950-1210	34950-1220
KEY B, LIGHT GRAY	33482-1236	B-LG	GCP	PLR	M-R	1					5	6	7	8	9	10			PLANNED OBSOLESCENCE	SEE 33482-6236	34950-1210	34950-1220
KEY A, BLACK	33482-1237	A-BLK	GCP	PLR	M-R		2												PLANNED OBSOLESCENCE	SEE 33482-6237	34950-1210	34950-1220
KEY B, LIGHT GRAY	33482-1238	B-LG	GCP	PLR	M-R		2							9	10				PLANNED OBSOLESCENCE	SEE 33482-6238	34950-1210	34950-1220
KEY A, BLACK	33482-1239	A-BLK	GCP	PLR	M-R	1					5	6	7	8					PLANNED OBSOLESCENCE	SEE 33482-6239	34950-1210	34950-1220
KEY A, BLACK	33482-1240	A-BLK	GCP	PLR	M-R		2	3					8	9	10	11			PLANNED OBSOLESCENCE	SEE 33482-6240	34950-1210	34950-1220
KEY A, BLACK	33482-1241	A-BLK	GCP	PLR	M-R								7	8	9	10	11		PLANNED OBSOLESCENCE	SEE 33482-6241	34950-1210	34950-1220
KEY A, BLACK	33482-1242	A-BLK	GCP	PLR	M-R								7	8					PLANNED OBSOLESCENCE	SEE 33482-6242	34950-1210	34950-1220
KEY A, BLACK	33482-1243	A-BLK	GCP	PLR	M-R		2							9	10				PLANNED OBSOLESCENCE	SEE 33482-6243	34950-1210	34950-1220
KEY A, BLACK	33482-1244	A-BLK	GCP	PLR	M-R		2		4										PLANNED OBSOLESCENCE	SEE 33482-6244	34950-1210	34950-1220
KEY A, BLACK	33482-1245	A-BLK	GCP	PLR	M-R									9	10	11	12		PLANNED OBSOLESCENCE	SEE 33482-6245	34950-1210	34950-1220
KEY A, BLACK	33482-1246	A-BLK	GCP	PLR	M-R											11			PLANNED OBSOLESCENCE	SEE 33482-6246	34950-1210	34950-1220
KEY A, BLACK	33482-1247	A-BLK	GCP	PLR	M-R		2	3	4			7	8						PLANNED OBSOLESCENCE	SEE 33482-6247	34950-1210	34950-1220
KEY A, BLACK	33482-1248	A-BLK	GCP	PLR	M-R	1		3	4	5	6	7	8						PLANNED OBSOLESCENCE	SEE 33482-6248	34950-1210	34950-1220
KEY A, BLACK	33482-1249	A-BLK	GCP	PLR	M-R										10	11	12		PLANNED OBSOLESCENCE	SEE 33482-6249	34950-1210	34950-1220
KEY A, BLACK	33482-1250	A-BLK	GCP	PLR	M-R				4	5	6	7	8	9					PLANNED OBSOLESCENCE	SEE 33482-6250	34950-1210	34950-1220
KEY A, BLACK	33482-1251	A-BLK	GCP	PLR	M-R		2		4	5					10	11			PLANNED OBSOLESCENCE	SEE 33482-6251	34950-1210	34950-1220
KEY A, BLACK	33482-1252	A-BLK	GCP	PLR	M-R							7							PLANNED OBSOLESCENCE	SEE 33482-6252	34950-1210	34950-1220

MX150 2X6 BLADE SEALED ASSY MAT SEAL  
BOM AND PIN OUT SHEET

ASSEMBLY DESCRIPTION	ASSEMBLY PART NUMBER	COMPONENT				BLOCKED TERMINALS												STATUS	COMMENTS	OPTIONAL ATTACHMENTS SOLD SEPERATELY		
		THE PRESENCE OF AN ABBREVIATION INDICATES THE PRESENCE OF THAT COMPONENT.				CAVITY WITH A NUMBER INDICATES BLOCKED TERMINAL POSITION CAVITY WITHOUT A NUMBER INDICATES OPEN TERMINAL POSITION														BACKSHELL WITH RIBS	BACKSHELL WITHOUT RIBS	
		HOUSING KEY/COLOR	GROMMET CAP	PLR	MAT SEAL	1	2	3	4	5	6	7	8	9	10	11	12					
KEY A, BLACK	33482-1253	A-BLK	GCP	PLR	M-R		2	3	4	5	6	7	8		10	11	12	PLANNED OBSOLESCENCE	SEE 33482-6253	34950-1210	34950-1220	
KEY A, BLACK	33482-1254	A-BLK	GCP	PLR	M-R		2	3	4	5					10	11	12	PLANNED OBSOLESCENCE	SEE 33482-6254	34950-1210	34950-1220	
KEY A, BLACK	33482-1255	A-BLK	GCP	PLR	M-R		2	3	4	5	6	7			10	11	12	PLANNED OBSOLESCENCE	SEE 33482-6255	34950-1210	34950-1220	
KEY A, BLACK	33482-1256	A-BLK	GCP	PLR	M-R	1					6	7		9				PLANNED OBSOLESCENCE	SEE 33482-6256	34950-1210	34950-1220	
KEY A, BLACK	33482-1257	A-BLK	GCP	PLR	M-R									9	10		12	PLANNED OBSOLESCENCE	SEE 33482-6257	34950-1210	34950-1220	
KEY A, BLACK	33482-1258	A-BLK	GCP	PLR	M-R		2	3								11		PLANNED OBSOLESCENCE	SEE 33482-6258	34950-1210	34950-1220	
KEY A, BLACK	33482-1259	A-BLK	GCP	PLR	M-R	1	2	3	4	5				9	10	11	12	PLANNED OBSOLESCENCE	SEE 33482-6259	34950-1210	34950-1220	
KEY A, BLACK	33482-1260	A-BLK	GCP	PLR	M-R											11	12	PLANNED OBSOLESCENCE	SEE 33482-6260	34950-1210	34950-1220	
KEY C, DARK GRAY	33482-1261	C-DG	GCP	PLR	M-R													PLANNED OBSOLESCENCE	SEE 33482-6261	34950-1210	34950-1220	
KEY D, STONE GRAY	33482-1262	D-SG	GCP	PLR	M-R													PLANNED OBSOLESCENCE	SEE 33482-6262	34950-1210	34950-1220	
KEY C, DARK GRAY	33482-1263	C-DG	GCP	PLR	M-R	1	2	3	4	5	6	7	8	9	10	11	12	PLANNED OBSOLESCENCE	SEE 33482-6263	34950-1210	34950-1220	
KEY D, STONE GRAY	33482-1264	D-SG	GCP	PLR	M-R	1	2	3	4	5	6	7	8	9	10	11	12	PLANNED OBSOLESCENCE	SEE 33482-6264	34950-1210	34950-1220	
KEY A, BLACK	33482-1265	A-BLK	GCP	PLR	M-R						6	7	8	9	10	11		PLANNED OBSOLESCENCE	SEE 33482-6265	34950-1210	34950-1220	
KEY A, BLACK	33482-1266	A-BLK	GCP	PLR	M-R	1	2	3	4	5	6	7				12		PLANNED OBSOLESCENCE	SEE 33482-6266	34950-1210	34950-1220	
KEY A, BLACK	33482-1267	A-BLK	GCP	PLR	M-R			3	4	5	6	7						PLANNED OBSOLESCENCE	SEE 33482-6267	34950-1210	34950-1220	
KEY A, BLACK	33482-1268	A-BLK	GCP	PLR	M-R			3	4	5	6	7	8	9	10	11		PLANNED OBSOLESCENCE	SEE 33482-6268	34950-1210	34950-1220	
KEY A, BLACK	33482-1269	A-BLK	GCP	PLR	M-R	1	2	3	4	5						11	12	PLANNED OBSOLESCENCE	SEE 33482-6269	34950-1210	34950-1220	
KEY A, BLACK	33482-1270	A-BLK	GCP	PLR	M-R		2		4				7	8	9	10		PLANNED OBSOLESCENCE	SEE 33482-6270	34950-1210	34950-1220	
KEY A, BLACK	33482-1271	A-BLK	GCP	PLR	M-R		2						7	8	9			PLANNED OBSOLESCENCE	SEE 33482-6271	34950-1210	34950-1220	
KEY A, BLACK	33482-1272	A-BLK	GCP	PLR	M-R		2						7	8	9			PLANNED OBSOLESCENCE	SEE 33482-6272	34950-1210	34950-1220	
KEY A, BLACK	33482-1273	A-BLK	GCP	PLR	M-R								8					PLANNED OBSOLESCENCE	SEE 33482-6273	34950-1210	34950-1220	
KEY A, BLACK	33482-1274	A-BLK	GCP	PLR	M-R	1		3	4	5	6				10	11	12	PLANNED OBSOLESCENCE	SEE 33482-6274	34950-1210	34950-1220	
KEY A, BLACK	33482-1275	A-BLK	GCP	PLR	M-R				4				8		10			PLANNED OBSOLESCENCE	SEE 33482-6275	34950-1210	34950-1220	
KEY A, BLACK	33482-1276	A-BLK	GCP	PLR	M-R	1	2	3	4		6				10	11	12	PLANNED OBSOLESCENCE	SEE 33482-6276	34950-1210	34950-1220	
KEY A, BLACK	33482-1277	A-BLK	GCP	PLR	M-R	1	2	3								11	12	PLANNED OBSOLESCENCE	SEE 33482-6277	34950-1210	34950-1220	
KEY A, BLACK	33482-1278	A-BLK	GCP	PLR	M-R						6						12	PLANNED OBSOLESCENCE	SEE 33482-6278	34950-1210	34950-1220	
KEY A, BLACK	33482-1279	A-BLK	GCP	PLR	M-R	1	2	3	4	5		7	8	9	10	11		PLANNED OBSOLESCENCE	SEE 33482-6279	34950-1210	34950-1220	
KEY A, BLACK	33482-1280	A-BLK	GCP	PLR	M-R	1	2	3	4	5	6			9				PLANNED OBSOLESCENCE	SEE 33482-6280	34950-1210	34950-1220	
KEY A, BLACK	33482-1281	A-BLK	GCP	PLR	M-R		2		4				8		10	11		PLANNED OBSOLESCENCE	SEE 33482-6281	34950-1210	34950-1220	
KEY A, BLACK	33482-1282	A-BLK	GCP	PLR	M-R	1	2	3	4	5	6			9	10	11	12	PLANNED OBSOLESCENCE	SEE 33482-6282	34950-1210	34950-1220	
KEY A, BLACK	33482-1283	A-BLK	GCP	PLR	M-R						6				10	11	12	PLANNED OBSOLESCENCE	SEE 33482-6283	34950-1210	34950-1220	
KEY A, BLACK	33482-1284	A-BLK	GCP	PLR	M-R	1		3	4	5	6	7	8		10	11	12	PLANNED OBSOLESCENCE	SEE 33482-6284	34950-1210	34950-1220	
KEY D, STONE GRAY	33482-1285	D-SG	GCP	PLR	M-R	1					6	7						PLANNED OBSOLESCENCE	SEE 33482-6285	34950-1210	34950-1220	
KEY A, BLACK	33482-1286	A-BLK	GCP	PLR	M-R		2	3					8	9				PLANNED OBSOLESCENCE	SEE 33482-6286	34950-1210	34950-1220	
KEY A, BLACK	33482-1287	A-BLK	GCP	PLR	M-R	1						7						PLANNED OBSOLESCENCE	SEE 33482-6287	34950-1210	34950-1220	
KEY A, BLACK	33482-1288	A-BLK	GCP	PLR	M-R	1					6							PLANNED OBSOLESCENCE	SEE 33482-6288	34950-1210	34950-1220	
KEY A, BLACK	33482-1289	A-BLK	GCP	PLR	M-R	1	2	3	4	5	6							PLANNED OBSOLESCENCE	SEE 33482-6289	34950-1210	34950-1220	
KEY A, BLACK	33482-1290	A-BLK	GCP	PLR	M-R	1						7				12		PLANNED OBSOLESCENCE	SEE 33482-6290	34950-1210	34950-1220	
KEY A, BLACK	33482-1291	A-BLK	GCP	PLR	M-R	1	2	3	4	5	6	7	8					PLANNED OBSOLESCENCE	SEE 33482-6291	34950-1210	34950-1220	
KEY A, BLACK	33482-1292	A-BLK	GCP	PLR	M-R									9				PLANNED OBSOLESCENCE	SEE 33482-6292	34950-1210	34950-1220	
KEY A, BLACK	33482-1293	A-BLK	GCP	PLR	M-R			3	4					9	10	11	12	PLANNED OBSOLESCENCE	SEE 33482-6293	34950-1210	34950-1220	
KEY A, BLACK	33482-1294	A-BLK	GCP	PLR	M-R	1	2			5	6	7	8					PLANNED OBSOLESCENCE	SEE 33482-6294	34950-1210	34950-1220	
KEY A, BLACK	33482-1295	A-BLK	GCP	PLR	M-R	1	2			5	6	7	8			11	12	PLANNED OBSOLESCENCE	SEE 33482-6295	34950-1210	34950-1220	
KEY A, BLACK	33482-1296	A-BLK	GCP	PLR	M-R	1	2	3	4	5	6	7	8	9	10			PLANNED OBSOLESCENCE	SEE 33482-6296	34950-1210	34950-1220	
KEY A, BLACK	33482-1297	A-BLK	GCP	PLR	M-R				4						10	11	12	PLANNED OBSOLESCENCE	SEE 33482-6297	34950-1210	34950-1220	
KEY A, BLACK	33482-1298	A-BLK	GCP	PLR	M-R						6					11	12	PLANNED OBSOLESCENCE	SEE 33482-6298	34950-1210	34950-1220	
KEY A, BLACK	33482-1299	A-BLK	GCP	PLR	M-R	1	2					7	8					PLANNED OBSOLESCENCE	SEE 33482-6299	34950-1210	34950-1220	
KEY A, BLACK	33482-1300	A-BLK	GCP	PLR	M-R	1	2	3							10	11	12	PLANNED OBSOLESCENCE	SEE 33482-6300	34950-1210	34950-1220	
KEY A, BLACK	33482-1301	A-BLK	GCP	PLR	M-R	1	2					7	8					PLANNED OBSOLESCENCE	SEE 33482-6301	34950-1210	34950-1220	
KEY B, LIGHT GRAY	33482-1302	B-LG	GCP	PLR	M-R										10	11		PLANNED OBSOLESCENCE	SEE 33482-6302	34950-1210	34950-1220	
KEY A, BLACK	33482-1303	A-BLK	GCP	PLR	M-R	1	2	3	4				7	8	9	10		PLANNED OBSOLESCENCE	SEE 33482-6303	34950-1210	34950-1220	
KEY A, BLACK	33482-1304	A-BLK	GCP	PLR	M-R	1	2	3	4				7	8	9	10		PLANNED OBSOLESCENCE	SEE 33482-6304	34950-1210	34950-1220	
KEY B, LIGHT GRAY	33482-1305	B-LG	GCP	PLR	M-R										10	11	12	PLANNED OBSOLESCENCE	SEE 33482-6305	34950-1210	34950-1220	
KEY B, LIGHT GRAY	33482-1306	B-LG	GCP	PLR	M-R	1	2	3	4	5	6	7			10	11	12	PLANNED OBSOLESCENCE	SEE 33482-6306	34950-1210	34950-1220	
KEY A, BLACK	33482-1307	A-BLK	GCP	PLR	M-R	1	2	3	4	5			7	8				PLANNED OBSOLESCENCE	SEE 33482-6307	34950-1210	34950-1220	
KEY A, BLACK	33482-1308	A-BLK	GCP	PLR	M-R								7	8	9	10	11	12	PLANNED OBSOLESCENCE	SEE 33482-6308	34950-1210	34950-1220
KEY A, BLACK	33482-1309	A-BLK	GCP	PLR	M-R	1									10	11		PLANNED OBSOLESCENCE	SEE 33482-6309	34950-1210	34950-1220	
KEY A, BLACK	33482-1310	A-BLK	GCP	PLR	M-R	1										11		PLANNED OBSOLESCENCE	SEE 33482-6310	34950-1210	34950-1220	
KEY A, BLACK	33482-1311	A-BLK	GCP	PLR	M-R	1	2			4	5	6	7	8	9	10	11	12	PLANNED OBSOLESCENCE	SEE 33482-6311	34950-1210	34950-1220
KEY A, BLACK	33482-1312	A-BLK	GCP	PLR	M-R									8	9			PLANNED OBSOLESCENCE	SEE 33482-6312	34950-1210	34950-1220	
KEY A, BLACK	33482-1313	A-BLK	GCP	PLR	M-R				3	4	5	6	7	8	9	10	11		PLANNED OBSOLESCENCE	SEE 33482-6313	34950-1210	34950-1220
KEY A, BLACK	33482-1314	A-BLK	GCP	PLR	M-R					3					9	10		PLANNED OBSOLESCENCE	SEE 33482-6314	34950-1210	34950-1220	
KEY A, BLACK	33482-1315	A-BLK	GCP	PLR	M-R							6	7	8	9			PLANNED OBSOLESCENCE	SEE 33482-6315	34950-1210	34950-1220	
KEY A, BLACK	33482-1316	A-BLK	GCP	PLR	M-R						5	6	7	8		11		PLANNED OBSOLESCENCE	SEE 33482-6316	34950-1210	34950-1220	
KEY A, BLACK	33482-1317	A-BLK	GCP	PLR	M-R	1	2											PLANNED OBSOLESCENCE	SEE 33482-6317	34950-1210	34950-1220	
KEY A, BLACK	33482-1318	A-BLK	GCP	PLR	M-R	1	2	3	4	5	6	7	8					PLANNED OBSOLESCENCE	SEE 33482-6318	34950-1210	34950-1220	
KEY A, BLACK	33482-1319	A-BLK	GCP	PLR	M-R	1	2	3	4	5	6	7	8	9				PLANNED OBSOLESCENCE	SEE 33482-6319	34950-1210	34950-1220	
KEY C, DARK GRAY	33482-1320	C-DG	GCP	PLR	M-R	1						6	7					PLANNED OBSOLESCENCE	SEE 33482-6320	34950-1210	34950-1220	
KEY																						

MX150 2X6 BLADE SEALED ASSY MAT SEAL  
BOM AND PIN OUT SHEET

ASSEMBLY DESCRIPTION	ASSEMBLY PART NUMBER	COMPONENT				BLOCKED TERMINALS												STATUS	COMMENTS	OPTIONAL ATTACHMENTS SOLD SEPERATELY		
		THE PRESENCE OF AN ABBREVIATION INDICATES THE PRESENCE OF THAT COMPONENT.				CAVITY WITH A NUMBER INDICATES BLOCKED TERMINAL POSITION CAVITY WITHOUT A NUMBER INDICATES OPEN TERMINAL POSITION														BACKSHELL WITH RIBS	BACKSHELL WITHOUT RIBS	
		HOUSING KEY/COLOR	GROMMET CAP	PLR	MAT SEAL	1	2	3	4	5	6	7	8	9	10	11	12					
KEY A, BLACK	33482-1332	A-BLK	GCP	PLR	M-R				4	5		7	8	9	10			PLANNED OBSOLESCENCE	SEE 33482-6332	34950-1210	34950-1220	
KEY A, BLACK	33482-1333	A-BLK	GCP	PLR	M-R				4					9	10			PLANNED OBSOLESCENCE	SEE 33482-6333	34950-1210	34950-1220	
KEY A, BLACK	33482-1334	A-BLK	GCP	PLR	M-R				4	5				8	10			PLANNED OBSOLESCENCE	SEE 33482-6334	34950-1210	34950-1220	
KEY A, BLACK	33482-1335	A-BLK	GCP	PLR	M-R	1	2		4	5	6	7				12		PLANNED OBSOLESCENCE	SEE 33482-6335	34950-1210	34950-1220	
KEY A, YELLOW	33482-1336	A-YL	GCP	PLR	M-R													PLANNED OBSOLESCENCE	SEE 33482-6336	34950-1210	34950-1220	
KEY B, LIGHT GRAY	33482-1337	B-LG	GCP	PLR	M-R					5				8				PLANNED OBSOLESCENCE	SEE 33482-6337	34950-1210	34950-1220	
KEY B, LIGHT GRAY	33482-1338	B-LG	GCP	PLR	M-R					5				8		11	12	PLANNED OBSOLESCENCE	SEE 33482-6338	34950-1210	34950-1220	
KEY B, LIGHT GRAY	33482-1339	B-LG	GCP	PLR	M-R					5				8		11	12	PLANNED OBSOLESCENCE	SEE 33482-6339	34950-1210	34950-1220	
KEY B, LIGHT GRAY	33482-1340	B-LG	GCP	PLR	M-R	1	2	3	4	5				8	9	10	11	12	PLANNED OBSOLESCENCE	SEE 33482-6340	34950-1210	34950-1220
KEY A, BLACK	33482-1341	A-BLK	GCP	PLR	M-R	1	2	3		5				9		11		PLANNED OBSOLESCENCE	SEE 33482-6341	34950-1210	34950-1220	
KEY A, BLACK	33482-1342	A-BLK	GCP	PLR	M-R		2	3		5						11		PLANNED OBSOLESCENCE	SEE 33482-6342	34950-1210	34950-1220	
KEY A, BLACK	33482-1343	A-BLK	GCP	PLR	M-R	1	2	3						9		11		PLANNED OBSOLESCENCE	SEE 33482-6343	34950-1210	34950-1220	
KEY A, BLACK	33482-1344	A-BLK	GCP	PLR	M-R	1	2	3	4	5				9		11	12	PLANNED OBSOLESCENCE	SEE 33482-6344	34950-1210	34950-1220	
KEY A, BLACK	33482-1345	A-BLK	GCP	PLR	M-R		2	3	4	5						11	12	PLANNED OBSOLESCENCE	SEE 33482-6345	34950-1210	34950-1220	
KEY A, BLACK	33482-1346	A-BLK	GCP	PLR	M-R	1												PLANNED OBSOLESCENCE	SEE 33482-6346	34950-1210	34950-1220	
KEY A, BLACK	33482-1347	A-BLK	GCP	PLR	M-R	1	2	3										PLANNED OBSOLESCENCE	SEE 33482-6347	34950-1210	34950-1220	
KEY B, LIGHT GRAY	33482-1348	B-LG	GCP	PLR	M-R	1	2	3			6					11	12	PLANNED OBSOLESCENCE	SEE 33482-6348	34950-1210	34950-1220	
KEY A, BLACK	33482-1349	A-BLK	GCP	PLR	M-R				4			7	8					PLANNED OBSOLESCENCE	SEE 33482-6349	34950-1210	34950-1220	
KEY A, BLACK	33482-1350	A-BLK	GCP	PLR	M-R		2						8					PLANNED OBSOLESCENCE	SEE 33482-6350	34950-1210	34950-1220	
KEY A, BLACK	33482-1351	A-BLK	GCP	PLR	M-R		2		4					10				PLANNED OBSOLESCENCE	SEE 33482-6351	34950-1210	34950-1220	
KEY A, BLACK	33482-1352	A-BLK	GCP	PLR	M-R	1	2	3	4	5	6			8		10	11	12	PLANNED OBSOLESCENCE	SEE 33482-6352	34950-1210	34950-1220
KEY A, BLACK	33482-1353	A-BLK	GCP	PLR	M-R	1					6	7	8					PLANNED OBSOLESCENCE	SEE 33482-6353	34950-1210	34950-1220	
KEY A, BLACK	33482-1354	A-BLK	GCP	PLR	M-R		2	3	4		6			8		10	11	12	PLANNED OBSOLESCENCE	SEE 33482-6354	34950-1210	34950-1220
KEY A, BLACK	33482-1355	A-BLK	GCP	PLR	M-R		2				6	7	8			10	11		PLANNED OBSOLESCENCE	SEE 33482-6355	34950-1210	34950-1220
KEY A, BLACK	33482-1356	A-BLK	GCP	PLR	M-R	1	2	3	4		6			10		11	12	PLANNED OBSOLESCENCE	SEE 33482-6356	34950-1210	34950-1220	
KEY A, BLACK	33482-1357	A-BLK	GCP	PLR	M-R					5				8				PLANNED OBSOLESCENCE	SEE 33482-6357	34950-1210	34950-1220	
KEY A, BLACK	33482-1358	A-BLK	GCP	PLR	M-R				4							10		PLANNED OBSOLESCENCE	SEE 33482-6358	34950-1210	34950-1220	
KEY A, BLACK	33482-1359	A-BLK	GCP	PLR	M-R				4			7	8	9	10	11	12	PLANNED OBSOLESCENCE	SEE 33482-6359	34950-1210	34950-1220	
KEY A, BLACK	33482-1360	A-BLK	GCP	PLR	M-R					5	6			8	9	10	11	12	PLANNED OBSOLESCENCE	SEE 33482-6360	34950-1210	34950-1220
KEY A, BLACK	33482-1361	A-BLK	GCP	PLR	M-R				4	5	6			8	9	10	11	12	PLANNED OBSOLESCENCE	SEE 33482-6361	34950-1210	34950-1220
KEY A, BLACK	33482-1362	A-BLK	GCP	PLR	M-R	1	2	3		5	6	7	8	9		11	12	PLANNED OBSOLESCENCE	SEE 33482-6362	34950-1210	34950-1220	
KEY A, BLACK	33482-1363	A-BLK	GCP	PLR	M-R				4	5		7	8	9	10	11	12	PLANNED OBSOLESCENCE	SEE 33482-6363	34950-1210	34950-1220	
KEY A, BLACK	33482-1364	A-BLK	GCP	PLR	M-R				4			7	8	9	10			PLANNED OBSOLESCENCE	SEE 33482-6364	34950-1210	34950-1220	
KEY A, BLACK	33482-1365	A-BLK	GCP	PLR	M-R						6	7	8	9	10	11	12	PLANNED OBSOLESCENCE	SEE 33482-6365	34950-1210	34950-1220	
KEY A, BLACK	33482-1366	A-BLK	GCP	PLR	M-R	1	2				6	7	8	9	10	11	12	PLANNED OBSOLESCENCE	SEE 33482-6366	34950-1210	34950-1220	
KEY A, BLACK	33482-1367	A-BLK	GCP	PLR	M-R						5			8		10		PLANNED OBSOLESCENCE	SEE 33482-6367	34950-1210	34950-1220	
KEY A, BLACK	33482-1368	A-BLK	GCP	PLR	M-R	1	2	3	4			7	8	9	10	11	12	PLANNED OBSOLESCENCE	SEE 33482-6368	34950-1210	34950-1220	
KEY A, BLACK	33482-1369	A-BLK	GCP	PLR	M-R				4									PLANNED OBSOLESCENCE	SEE 33482-6369	34950-1210	34950-1220	
KEY A, BLACK	33482-1370	A-BLK	GCP	PLR	M-R	1	2	3			6	7			10	11	12	PLANNED OBSOLESCENCE	SEE 33482-6370	34950-1210	34950-1220	
KEY A, BLACK	33482-1371	A-BLK	GCP	PLR	M-R							7	8			11		PLANNED OBSOLESCENCE	SEE 33482-6371	34950-1210	34950-1220	
KEY A, BLACK	33482-1372	A-BLK	GCP	PLR	M-R	1		3					5		10		12	PLANNED OBSOLESCENCE	SEE 33482-6372	34950-1210	34950-1220	
KEY A, BLACK	33482-1373	A-BLK	GCP	PLR	M-R		2		4		6	7		9		11		PLANNED OBSOLESCENCE	SEE 33482-6373	34950-1210	34950-1220	
KEY A, BLACK	33482-1374	A-BLK	GCP	PLR	M-R		2								10	11	12	PLANNED OBSOLESCENCE	SEE 33482-6374	34950-1210	34950-1220	
KEY A, BLACK	33482-1375	A-BLK	GCP	PLR	M-R							7		9		10		PLANNED OBSOLESCENCE	SEE 33482-6375	34950-1210	34950-1220	
KEY A, BLACK	33482-1376	A-BLK	GCP	PLR	M-R		2		4			7						PLANNED OBSOLESCENCE	SEE 33482-6376	34950-1210	34950-1220	
KEY A, BLACK	33482-1377	A-BLK	GCP	PLR	M-R	1	2	3	4		6			9	10	11	12	PLANNED OBSOLESCENCE	SEE 33482-6377	34950-1210	34950-1220	
KEY A, BLACK	33482-1378	A-BLK	GCP	PLR	M-R	1		3			5				11	12		PLANNED OBSOLESCENCE	SEE 33482-6378	34950-1210	34950-1220	
KEY A, BLACK	33482-1379	A-BLK	GCP	PLR	M-R	1		3			5			8		10	11	12	PLANNED OBSOLESCENCE	SEE 33482-6379	34950-1210	34950-1220
KEY A, BLACK	33482-1380	A-BLK	GCP	PLR	M-R		2					7	8					PLANNED OBSOLESCENCE	SEE 33482-6380	34950-1210	34950-1220	
KEY A, BLACK	33482-1381	A-BLK	GCP	PLR	M-R		2			4			7	8				PLANNED OBSOLESCENCE	SEE 33482-6381	34950-1210	34950-1220	
KEY A, BLACK	33482-1382	A-BLK	GCP	PLR	M-R				4	5	6			8		10	11		PLANNED OBSOLESCENCE	SEE 33482-6382	34950-1210	34950-1220
KEY A, BLACK	33482-1383	A-BLK	GCP	PLR	M-R	1	2	3	4			7	8	9	10	11		PLANNED OBSOLESCENCE	SEE 33482-6383	34950-1210	34950-1220	
KEY A, BLACK	33482-1384	A-BLK	GCP	PLR	M-R				3	4				9	10			PLANNED OBSOLESCENCE	SEE 33482-6384	34950-1210	34950-1220	
KEY A, BLACK	33482-1385	A-BLK	GCP	PLR	M-R				3	4						11	12	PLANNED OBSOLESCENCE	SEE 33482-6385	34950-1210	34950-1220	
KEY A, BLACK	33482-1386	A-BLK	GCP	PLR	M-R	1	2	3	4		6	7	8	9	10	11		PLANNED OBSOLESCENCE	SEE 33482-6386	34950-1210	34950-1220	
KEY A, BLACK	33482-1387	A-BLK	GCP	PLR	M-R	1	2	3	4	5	6	7	8	9				PLANNED OBSOLESCENCE	SEE 33482-6387	34950-1210	34950-1220	
KEY A, BLACK	33482-1388	A-BLK	GCP	PLR	M-R	1	2	3							10	11	12	PLANNED OBSOLESCENCE	SEE 33482-6388	34950-1210	34950-1220	
KEY A, BLACK	33482-1389	A-BLK	GCP	PLR	M-R	1	2	3			6					11	12	PLANNED OBSOLESCENCE	SEE 33482-6389	34950-1210	34950-1220	
KEY A, BLACK	33482-1390	A-BLK	GCP	PLR	M-R	1		3	4							11		PLANNED OBSOLESCENCE	SEE 33482-6390	34950-1210	34950-1220	
KEY A, BLACK	33482-1391	A-BLK	GCP	PLR	M-R	1	2	3			6				10	11	12	PLANNED OBSOLESCENCE	SEE 33482-6391	34950-1210	34950-1220	
KEY A, BLACK	33482-1392	A-BLK	GCP	PLR	M-R	1		3	4							11	12	PLANNED OBSOLESCENCE	SEE 33482-6392	34950-1210	34950-1220	
KEY A, BLACK	33482-1393	A-BLK	GCP	PLR	M-R				4	5		7				11	12	PLANNED OBSOLESCENCE	SEE 33482-6393	34950-1210	34950-1220	
KEY B, LIGHT GRAY	33482-1394	B-LG	GCP	PLR	M-R	1	2	3	4				8	9	10	11	12	PLANNED OBSOLESCENCE	SEE 33482-6394	34950-1210	34950-1220	
KEY B, LIGHT GRAY	33482-1395	B-LG	GCP	PLR	M-R	1	2	3	4				8	9	10			PLANNED OBSOLESCENCE	SEE 33482-6395	34950-1210	34950-1220	
KEY A, BLACK	33482-1396	A-BLK	GCP	PLR	M-R	1					6	7	8	9	10			PLANNED OBSOLESCENCE	SEE 33482-6396	34950-1210	34950-1220	
KEY A, BLACK	33482-1397	A-BLK	GCP	PLR	M-R				4		6		8					PLANNED OBSOLESCENCE	SEE 33482-6397	34950-1210	34950-1220	
KEY A, BLACK	33482-1398	A-BLK	GCP	PLR	M-R				4	5	6	7				11	12	PLANNED OBSOLESCENCE	SEE 33482-6398	34950-1210	34950-1220	
KEY A, BLACK	33482-1399	A-BLK	GCP	PLR	M-R	1	2	3	4	5	6	7	8			11	12	PLANNED OBSOLESCENCE	SEE 33482-6399	34950-1		

MX150 2X6 BLADE SEALED ASSY MAT SEAL  
BOM AND PIN OUT SHEET

ASSEMBLY DESCRIPTION	ASSEMBLY PART NUMBER	COMPONENT				BLOCKED TERMINALS												STATUS	COMMENTS	OPTIONAL ATTACHMENTS SOLD SEPERATELY				
		THE PRESENCE OF AN ABBREVIATION INDICATES THE PRESENCE OF THAT COMPONENT.				CAVITY WITH A NUMBER INDICATES BLOCKED TERMINAL POSITION CAVITY WITHOUT A NUMBER INDICATES OPEN TERMINAL POSITION														BACKSHELL WITH RIBS	BACKSHELL WITHOUT RIBS			
		HOUSING KEY/COLOR	GROMMET CAP	PLR	MAT SEAL	1	2	3	4	5	6	7	8	9	10	11	12							
KEY A, BLACK	33482-1411	A-BLK	GCP	PLR	M-R		2	3						9				PLANNED OBSOLESCENCE	SEE 33482-6411	34950-1210	34950-1220			
KEY A, BLACK	33482-1412	A-BLK	GCP	PLR	M-R									8		10	11	PLANNED OBSOLESCENCE	SEE 33482-6412	34950-1210	34950-1220			
KEY A, BLACK	33482-1413	A-BLK	GCP	PLR	M-R	1		3						5			11	PLANNED OBSOLESCENCE	SEE 33482-6413	34950-1210	34950-1220			
KEY A, BLACK	33482-1414	A-BLK	GCP	PLR	M-R	1		3						5		10	11	PLANNED OBSOLESCENCE	SEE 33482-6414	34950-1210	34950-1220			
KEY A, BLACK	33482-1415	A-BLK	GCP	PLR	M-R		2	3						5			11	PLANNED OBSOLESCENCE	SEE 33482-6415	34950-1210	34950-1220			
KEY A, BLACK	33482-1416	A-BLK	GCP	PLR	M-R	1			4	5	6			8		10	12	PLANNED OBSOLESCENCE	SEE 33482-6416	34950-1210	34950-1220			
KEY A, BLACK	33482-1417	A-BLK	GCP	PLR	M-R	1			4	5				8		10	12	PLANNED OBSOLESCENCE	SEE 33482-6417	34950-1210	34950-1220			
KEY A, BLACK	33482-1418	A-BLK	GCP	PLR	M-R	1	2	3	4	5				8		10	11	PLANNED OBSOLESCENCE	SEE 33482-6418	34950-1210	34950-1220			
KEY A, BLACK	33482-1419	A-BLK	GCP	PLR	M-R		2	3						5	6	7	9	10	11	12	PLANNED OBSOLESCENCE	SEE 33482-6419	34950-1210	34950-1220
KEY A, BLACK	33482-1420	A-BLK	GCP	PLR	M-R	1	2	3	4					8	9			PLANNED OBSOLESCENCE	SEE 33482-6420	34950-1210	34950-1220			
KEY A, BLACK	33482-1421	A-BLK	GCP	PLR	M-R		2	3						8	9			PLANNED OBSOLESCENCE	SEE 33482-6421	34950-1210	34950-1220			
KEY A, BLACK	33482-1422	A-BLK	GCP	PLR	M-R									8		10	11	PLANNED OBSOLESCENCE	SEE 33482-6422	34950-1210	34950-1220			
KEY A, BLACK	33482-1423	A-BLK	GCP	PLR	M-R	1		3						5			11	PLANNED OBSOLESCENCE	SEE 33482-6423	34950-1210	34950-1220			
KEY A, BLACK	33482-1424	A-BLK	GCP	PLR	M-R	1		3						5			11	PLANNED OBSOLESCENCE	SEE 33482-6424	34950-1210	34950-1220			
KEY A, BLACK	33482-1425	A-BLK	GCP	PLR	M-R		2		4		6	7	8	9	10	11	12	PLANNED OBSOLESCENCE	SEE 33482-6425	34950-1210	34950-1220			
KEY A, BLACK	33482-1426	A-BLK	GCP	PLR	M-R			3	4								11	12	PLANNED OBSOLESCENCE	SEE 33482-6426	34950-1210	34950-1220		
KEY A, BLACK	33482-1427	A-BLK	GCP	PLR	M-R			3	4					9	10			PLANNED OBSOLESCENCE	SEE 33482-6427	34950-1210	34950-1220			
KEY A, BLACK	33482-1428	A-BLK	GCP	PLR	M-R	1	2							5	6	7	8	9	10		PLANNED OBSOLESCENCE	SEE 33482-6428	34950-1210	34950-1220
KEY A, BLACK	33482-1429	A-BLK	GCP	PLR	M-R									9	10			PLANNED OBSOLESCENCE	SEE 33482-6429	34950-1210	34950-1220			
KEY A, BLACK	33482-1430	A-BLK	GCP	PLR	M-R			3	4	5	6			8	9			PLANNED OBSOLESCENCE	SEE 33482-6430	34950-1210	34950-1220			
KEY B, LIGHT GRAY	33482-1431	B-LG	GCP	PLR	M-R	1	2	3	4					8			11	12	PLANNED OBSOLESCENCE	SEE 33482-6431	34950-1210	34950-1220		
KEY B, LIGHT GRAY	33482-1432	B-LG	GCP	PLR	M-R	1	2	3	4					8				PLANNED OBSOLESCENCE	SEE 33482-6432	34950-1210	34950-1220			
KEY A, BLACK	33482-1433	A-BLK	GCP	PLR	M-R											10	11	12	PLANNED OBSOLESCENCE	SEE 33482-6433	34950-1210	34950-1220		
KEY B, LIGHT GRAY	33482-1434	B-LG	GCP	PLR	M-R								7	8	9			12	PLANNED OBSOLESCENCE	SEE 33482-6434	34950-1210	34950-1220		
KEY A, BLACK	33482-1435	A-BLK	GCP	PLR	M-R								7	8	9	10	11	12	PLANNED OBSOLESCENCE	SEE 33482-6435	34950-1210	34950-1220		
KEY A, BLACK	33482-1436	A-BLK	GCP	PLR	M-R		2							8	9	10	11	12	PLANNED OBSOLESCENCE	SEE 33482-6436	34950-1210	34950-1220		
KEY A, BLACK	33482-1437	A-BLK	GCP	PLR	M-R		2							8	9			PLANNED OBSOLESCENCE	SEE 33482-6437	34950-1210	34950-1220			
KEY B, LIGHT GRAY	33482-1438	B-LG	GCP	PLR	M-R	1	2	3	4					8			11	12	PLANNED OBSOLESCENCE	SEE 33482-6438	34950-1210	34950-1220		
KEY B, LIGHT GRAY	33482-1439	B-LG	GCP	PLR	M-R	1	2	3	4					8				PLANNED OBSOLESCENCE	SEE 33482-6439	34950-1210	34950-1220			
KEY A, BLACK	33482-1440	A-BLK	GCP	PLR	M-R	1	2				6			9	10			PLANNED OBSOLESCENCE	SEE 33482-6440	34950-1210	34950-1220			
KEY A, BLACK	33482-1441	A-BLK	GCP	PLR	M-R	1	2	3			6	7		10	11	12		PLANNED OBSOLESCENCE	SEE 33482-6441	34950-1210	34950-1220			
KEY A, BLACK	33482-1442	A-BLK	GCP	PLR	M-R		2				6			8				PLANNED OBSOLESCENCE	SEE 33482-6442	34950-1210	34950-1220			
KEY A, BLACK	33482-1443	A-BLK	GCP	PLR	M-R		2		4		6							PLANNED OBSOLESCENCE	SEE 33482-6443	34950-1210	34950-1220			
KEY A, BLACK	33482-1444	A-BLK	GCP	PLR	M-R			3	4		6			8	9			PLANNED OBSOLESCENCE	SEE 33482-6444	34950-1210	34950-1220			
KEY A, BLACK	33482-1445	A-BLK	GCP	PLR	M-R			4			7			9	10	11	12	PLANNED OBSOLESCENCE	SEE 33482-6445	34950-1210	34950-1220			
KEY C, DARK GRAY	33482-1446	C-DG	GCP	PLR	M-R			3	4									PLANNED OBSOLESCENCE	SEE 33482-6446	34950-1210	34950-1220			
KEY A, BLACK	33482-1447	A-BLK	GCP	PLR	M-R	1	2	3			6			8			11	12	PLANNED OBSOLESCENCE	SEE 33482-6447	34950-1210	34950-1220		
KEY A, BLACK	33482-1448	A-BLK	GCP	PLR	M-R					5	6	7	8	9	10			PLANNED OBSOLESCENCE	SEE 33482-6448	34950-1210	34950-1220			
KEY B, LIGHT GRAY	33482-1449	B-LG	GCP	PLR	M-R							7			10	11	12	PLANNED OBSOLESCENCE	SEE 33482-6449	34950-1210	34950-1220			
KEY A, BLACK	33482-1450	A-BLK	GCP	PLR	M-R		2	3			5	6	7	8		10	11	12	PLANNED OBSOLESCENCE	SEE 33482-6450	34950-1210	34950-1220		
KEY A, BLACK	33482-1451	A-BLK	GCP	PLR	M-R						5	6	7	8				PLANNED OBSOLESCENCE	SEE 33482-6451	34950-1210	34950-1220			
KEY A, BLACK	33482-1452	A-BLK	GCP	PLR	M-R			3	4					8	9	10	11	12	PLANNED OBSOLESCENCE	SEE 33482-6452	34950-1210	34950-1220		
KEY A, BLACK	33482-1453	A-BLK	GCP	PLR	M-R	1	2	3	4					8	9	10	11	12	PLANNED OBSOLESCENCE	SEE 33482-6453	34950-1210	34950-1220		
KEY A, BLACK	33482-1454	A-BLK	GCP	PLR	M-R	1		3	4					7	8	9	10	11	12	PLANNED OBSOLESCENCE	SEE 33482-6454	34950-1210	34950-1220	
KEY A, BLACK	33482-1455	A-BLK	GCP	PLR	M-R	1		4						7	8			PLANNED OBSOLESCENCE	SEE 33482-6455	34950-1210	34950-1220			
KEY A, BLACK	33482-1456	A-BLK	GCP	PLR	M-R	1	2		4	5	6					11		PLANNED OBSOLESCENCE	SEE 33482-6456	34950-1210	34950-1220			
KEY A, BLACK	33482-1457	A-BLK	GCP	PLR	M-R		2		4	5	6	7					12	PLANNED OBSOLESCENCE	SEE 33482-6457	34950-1210	34950-1220			
KEY A, BLACK	33482-1458	A-BLK	GCP	PLR	M-R		2				6							PLANNED OBSOLESCENCE	SEE 33482-6458	34950-1210	34950-1220			
KEY A, BLACK	33482-1459	A-BLK	GCP	PLR	M-R			3						7	8	9		PLANNED OBSOLESCENCE	SEE 33482-6459	34950-1210	34950-1220			
KEY A, BLACK	33482-1460	A-BLK	GCP	PLR	M-R	1								7	8			PLANNED OBSOLESCENCE	SEE 33482-6460	34950-1210	34950-1220			
KEY A, BLACK	33482-1461	A-BLK	GCP	PLR	M-R		2				5	6	7	8			11	PLANNED OBSOLESCENCE	SEE 33482-6461	34950-1210	34950-1220			
KEY A, BLACK	33482-1462	A-BLK	GCP	PLR	M-R		2	3			5	6	7	8	9			PLANNED OBSOLESCENCE	SEE 33482-6462	34950-1210	34950-1220			
KEY A, BLACK	33482-1463	A-BLK	GCP	PLR	M-R	1	2				5	6	7			11	12	PLANNED OBSOLESCENCE	SEE 33482-6463	34950-1210	34950-1220			
KEY A, BLACK	33482-1464	A-BLK	GCP	PLR	M-R	1	2		4	5	6	7	8			10	11	12	PLANNED OBSOLESCENCE	SEE 33482-6464	34950-1210	34950-1220		
KEY A, BLACK	33482-1465	A-BLK	GCP	PLR	M-R	1	2	3	4	5	6	7				9	10	11	12	PLANNED OBSOLESCENCE	SEE 33482-6465	34950-1210	34950-1220	
KEY A, BLACK	33482-1466	A-BLK	GCP	PLR	M-R												12	PLANNED OBSOLESCENCE	SEE 33482-6466	34950-1210	34950-1220			
KEY A, BLACK	33482-1467	A-BLK	GCP	PLR	M-R		2	3	4									PLANNED OBSOLESCENCE	SEE 33482-6467	34950-1210	34950-1220			
KEY A, BLACK	33482-1468	A-BLK	GCP	PLR	M-R				4	5				8		10	11	12	PLANNED OBSOLESCENCE	SEE 33482-6468	34950-1210	34950-1220		
KEY A, BLACK	33482-1469	A-BLK	GCP	PLR	M-R	1								9	10			PLANNED OBSOLESCENCE	SEE 33482-6469	34950-1210	34950-1220			
KEY A, BLACK	33482-1470	A-BLK	GCP	PLR	M-R								7	8	9			PLANNED OBSOLESCENCE	SEE 33482-6470	34950-1210	34950-1220			
KEY C, DARK GRAY	33482-1471	C-DG	GCP	PLR	M-R			3	4					8				PLANNED OBSOLESCENCE	SEE 33482-6471	34950-1210	34950-1220			
KEY A, BLACK	33482-1472	A-BLK	GCP	PLR	M-R	1	2							7	8	9	10	11	12	PLANNED OBSOLESCENCE	SEE 33482-6472	34950-1210	34950-1220	
KEY A, BLACK	33482-1473	A-BLK	GCP	PLR	M-R						5			7	8	9			PLANNED OBSOLESCENCE	SEE 33482-6473	34950-1210	34950-1220		
KEY A, BLACK	33482-1474	A-BLK	GCP	PLR	M-R	1	2				5					10		12	PLANNED OBSOLESCENCE	SEE 33482-6474	34950-1210	34950-1220		
KEY A, BLACK	33482-1475	A-BLK	GCP	PLR	M-R						5							PLANNED OBSOLESCENCE	SEE 33482-6475	34950-1210	34950-1220			
KEY A, BLACK	33482-1476	A-BLK	GCP	PLR	M-R			3	4	5								PLANNED OBSOLESCENCE	SEE 33482-6476	34950-1210	34950-1220			
KEY A, BLACK	33482-1477	A-BLK	GCP	PLR	M-R	1	2				5				9	10	11	12	PLANNED OBSOLESCENCE	SEE 33482-6477	34950-1210	34950-1220		
KEY A, BLACK	33482-1478	A-BLK	GCP	PLR	M-R						5				9			PLANNED OBSOLESCENCE	SEE 33482-6478					

MX150 2X6 BLADE SEALED ASSY MAT SEAL  
BOM AND PIN OUT SHEET

ASSEMBLY DESCRIPTION	ASSEMBLY PART NUMBER	COMPONENT				BLOCKED TERMINALS												STATUS	COMMENTS	OPTIONAL ATTACHMENTS SOLD SEPERATELY		
		THE PRESENCE OF AN ABBREVIATION INDICATES THE PRESENCE OF THAT COMPONENT.				CAVITY WITH A NUMBER INDICATES BLOCKED TERMINAL POSITION CAVITY WITHOUT A NUMBER INDICATES OPEN TERMINAL POSITION														BACKSHELL WITH RIBS	BACKSHELL WITHOUT RIBS	
		HOUSING KEY/COLOR	GROMMET CAP	PLR	MAT SEAL	1	2	3	4	5	6	7	8	9	10	11	12					
KEY A, BLACK	33482-1490	A-BLK	GCP	PLR	M-B	1	2	3	4								11	12	PLANNED OBSOLESCENCE	SEE 33482-6490	34950-1210	34950-1220
KEY A, BLACK	33482-1491	A-BLK	GCP	PLR	M-B	1		3		5				9					PLANNED OBSOLESCENCE	SEE 33482-6491	34950-1210	34950-1220
KEY A, BLACK	33482-1492	A-BLK	GCP	PLR	M-B		2			6	7	8							PLANNED OBSOLESCENCE	SEE 33482-6492	34950-1210	34950-1220
KEY A, BLACK	33482-1493	A-BLK	GCP	PLR	M-B					5	7		9	10	11	12			PLANNED OBSOLESCENCE	SEE 33482-6493	34950-1210	34950-1220
KEY A, BLACK	33482-1494	A-BLK	GCP	PLR	M-B					5			9	10	11				PLANNED OBSOLESCENCE	SEE 33482-6494	34950-1210	34950-1220
KEY A, BLACK	33482-1495	A-BLK	GCP	PLR	M-B	1	2	3	4	5	6		8	9	10	11			PLANNED OBSOLESCENCE	SEE 33482-6495	34950-1210	34950-1220
KEY A, BLACK	33482-1496	A-BLK	GCP	PLR	M-B	1	2	3	4		6	7	8	9			12		PLANNED OBSOLESCENCE	SEE 33482-6496	34950-1210	34950-1220
KEY A, BLACK	33482-6201	A-BLK	GCP	PLR	M-B														SALEABLE		34950-1210	34950-1220
KEY B, LIGHT GRAY	33482-6202	B-LG	GCP	PLR	M-B														SALEABLE		34950-1210	34950-1220
KEY C, BROWN	33482-6203	C-BR	GCP	PLR	M-B														NOT RECOMMENDED	SEE 33482-6261	34950-1210	34950-1220
KEY D, GREEN	33482-6204	D-GR	GCP	PLR	M-B														NOT RECOMMENDED	SEE 33482-6262	34950-1210	34950-1220
VOID KEY	33482-6205																					
KEY A, BLACK	33482-6206	A-BLK	GCP	PLR	M-B					6									SALEABLE		34950-1210	34950-1220
KEY B, LIGHT GRAY	33482-6207	B-LG	GCP	PLR	M-B					6									SALEABLE		34950-1210	34950-1220
KEY C, BROWN	33482-6208	C-BR	GCP	PLR	M-B					6									NOT RECOMMENDED		34950-1210	34950-1220
KEY D, GREEN	33482-6209	D-GR	GCP	PLR	M-B					6									NOT RECOMMENDED		34950-1210	34950-1220
VOID KEY	33482-6210																					
KEY A, BLACK	33482-6211	A-BLK	GCP	PLR	M-B					6	7								SALEABLE		34950-1210	34950-1220
KEY B, LIGHT GRAY	33482-6212	B-LG	GCP	PLR	M-B					6	7								SALEABLE		34950-1210	34950-1220
KEY C, BROWN	33482-6213	C-BR	GCP	PLR	M-B					6	7								NOT RECOMMENDED		34950-1210	34950-1220
KEY D, GREEN	33482-6214	D-GR	GCP	PLR	M-B					6	7								NOT RECOMMENDED		34950-1210	34950-1220
VOID KEY	33482-6215																					
KEY A, BLACK	33482-6216	A-BLK	GCP	PLR	M-B	1				6	7								SALEABLE		34950-1210	34950-1220
KEY B, LIGHT GRAY	33482-6217	B-LG	GCP	PLR	M-B	1				6	7								SALEABLE		34950-1210	34950-1220
KEY C, BROWN	33482-6218	C-BR	GCP	PLR	M-B	1				6	7								NOT RECOMMENDED	SEE 33482-6320	34950-1210	34950-1220
KEY D, GREEN	33482-6219	D-GR	GCP	PLR	M-B	1				6	7								NOT RECOMMENDED	SEE 33482-6285	34950-1210	34950-1220
VOID KEY	33482-6220																					
KEY A, BLACK	33482-6221	A-BLK	GCP	PLR	M-B	1				6	7						12		SALEABLE		34950-1210	34950-1220
KEY B, LIGHT GRAY	33482-6222	B-LG	GCP	PLR	M-B	1				6	7						12		SALEABLE		34950-1210	34950-1220
KEY C, BROWN	33482-6223	C-BR	GCP	PLR	M-B	1				6	7						12		NOT RECOMMENDED		34950-1210	34950-1220
KEY D, GREEN	33482-6224	D-GR	GCP	PLR	M-B	1				6	7						12		NOT RECOMMENDED		34950-1210	34950-1220
VOID KEY	33482-6225																					
KEY A, BLACK	33482-6226	A-BLK	GCP	PLR	M-B					6							12		SALEABLE		34950-1210	34950-1220
KEY A, BLACK	33482-6227	A-BLK	GCP	PLR	M-B	1	2	3	4	5	6	7	8	9	10	11	12		SALEABLE		34950-1210	34950-1220
KEY B, LIGHT GRAY	33482-6228	B-LG	GCP	PLR	M-B	1	2	3	4	5	6	7	8	9	10	11	12		SALEABLE		34950-1210	34950-1220
KEY C, BROWN	33482-6229	C-BR	GCP	PLR	M-B	1	2	3	4	5	6	7	8	9	10	11	12		NOT RECOMMENDED	SEE 33482-6263	34950-1210	34950-1220
KEY D, GREEN	33482-6230	D-GR	GCP	PLR	M-B	1	2	3	4	5	6	7	8	9	10	11	12		NOT RECOMMENDED	SEE 33482-6264	34950-1210	34950-1220
VOID KEY	33482-6231																					
KEY A, BLACK	33482-6232	A-BLK	GCP	PLR	M-B		2	3					8			11			SALEABLE		34950-1210	34950-1220
KEY A, BLACK	33482-6233	A-BLK	GCP	PLR	M-B		2	3		5	6	7	8			11			SALEABLE		34950-1210	34950-1220
KEY A, BLACK	33482-6234	A-BLK	GCP	PLR	M-B					6	7								SALEABLE		34950-1210	34950-1220
KEY A, BLACK	33482-6235	A-BLK	GCP	PLR	M-B		2	3		6	7	8			10	11			SALEABLE		34950-1210	34950-1220
KEY B, LIGHT GRAY	33482-6236	B-LG	GCP	PLR	M-B	1				5	6	7	8	9	10				SALEABLE		34950-1210	34950-1220
KEY A, BLACK	33482-6237	A-BLK	GCP	PLR	M-B														SALEABLE		34950-1210	34950-1220
KEY B, LIGHT GRAY	33482-6238	B-LG	GCP	PLR	M-B		2							9	10				SALEABLE		34950-1210	34950-1220
KEY A, BLACK	33482-6239	A-BLK	GCP	PLR	M-B	1				5	6	7	8						SALEABLE		34950-1210	34950-1220
KEY A, BLACK	33482-6240	A-BLK	GCP	PLR	M-B		2	3					8	9	10	11			SALEABLE		34950-1210	34950-1220
KEY A, BLACK	33482-6241	A-BLK	GCP	PLR	M-B							7	8	9	10	11			SALEABLE		34950-1210	34950-1220
KEY A, BLACK	33482-6242	A-BLK	GCP	PLR	M-B							7	8						SALEABLE		34950-1210	34950-1220
KEY A, BLACK	33482-6243	A-BLK	GCP	PLR	M-B		2							9	10				SALEABLE		34950-1210	34950-1220
KEY A, BLACK	33482-6244	A-BLK	GCP	PLR	M-B		2		4										SALEABLE		34950-1210	34950-1220
KEY A, BLACK	33482-6245	A-BLK	GCP	PLR	M-B									9	10	11	12		SALEABLE		34950-1210	34950-1220
KEY A, BLACK	33482-6246	A-BLK	GCP	PLR	M-B											11			SALEABLE		34950-1210	34950-1220
KEY A, BLACK	33482-6247	A-BLK	GCP	PLR	M-B		2	3	4				7	8					SALEABLE		34950-1210	34950-1220
KEY A, BLACK	33482-6248	A-BLK	GCP	PLR	M-B	1		3	4	5	6	7	8						SALEABLE		34950-1210	34950-1220
KEY A, BLACK	33482-6249	A-BLK	GCP	PLR	M-B										10	11	12		SALEABLE		34950-1210	34950-1220
KEY A, BLACK	33482-6250	A-BLK	GCP	PLR	M-B					4	5	6	7	8	9				SALEABLE		34950-1210	34950-1220
KEY A, BLACK	33482-6251	A-BLK	GCP	PLR	M-B		2		4	5			8		10	11			SALEABLE		34950-1210	34950-1220
KEY A, BLACK	33482-6252	A-BLK	GCP	PLR	M-B								7						SALEABLE		34950-1210	34950-1220
KEY A, BLACK	33482-6253	A-BLK	GCP	PLR	M-B		2	3	4	5	6	7	8		10	11	12		SALEABLE		34950-1210	34950-1220
KEY A, BLACK	33482-6254	A-BLK	GCP	PLR	M-B		2	3	4	5					10	11	12		SALEABLE		34950-1210	34950-1220
KEY A, BLACK	33482-6255	A-BLK	GCP	PLR	M-B		2												SALEABLE		34950-1210	34950-1220
KEY A, BLACK	33482-6256	A-BLK	GCP	PLR	M-B	1					6	7		9					SALEABLE		34950-1210	34950-1220
KEY A, BLACK	33482-6257	A-BLK	GCP	PLR	M-B									9	10		12		SALEABLE		34950-1210	34950-1220
KEY A, BLACK	33482-6258	A-BLK	GCP	PLR	M-B		2	3								11			SALEABLE		34950-1210	34950-1220
KEY A, BLACK	33482-6259	A-BLK	GCP	PLR	M-B	1	2	3	4	5				9	10	11	12		SALEABLE		34950-1210	34950-1220
KEY A, BLACK	33482-6260	A-BLK	GCP	PLR	M-B											11	12		SALEABLE		34950-1210	34950-1220
KEY C, DARK GRAY	33482-6261	C-DG	GCP	PLR	M-B														SALEABLE		34950-1210	34950-1220
KEY D, STONE GRAY	33482-6262	D-SG	GCP	PLR	M-B														SALEABLE		34950-1210	34950-1220
KEY C, DARK GRAY	33482-6263	C-DG	GCP	PLR	M-B	1	2	3	4	5	6	7	8	9	10	11	12		SALEABLE		34950-1210	34950-1220
KEY D, STONE GRAY	33482-6264	D-SG	GCP	PLR	M-B	1	2	3	4	5	6	7	8	9	10	11	12		SALEABLE		34950-1210	34950-1220
KEY A, BLACK	33482-6265	A-BLK	GCP	PLR	M-B						6	7	8	9	10	11			SALEABLE		34950-1210	34950-1220
KEY A, BLACK	33482-6266	A-BLK	GCP	PLR	M-B	1	2	3	4	5	6	7					12		SALEABLE		34950-1210	34950-1220
KEY A, BLACK	33482-6267	A-BLK	GCP	PLR	M-B				3	4	5	6	7						SALEABLE		34950-1210	34950-1220
KEY A, BLACK	33482-6268	A-BLK	GCP	PLR	M-B				3	4	5	6	7	8	9	10	11		SALEABLE		34950-1210	34950-1220
KEY A, BLACK	33482-626																					

MX150 2X6 BLADE SEALED ASSY MAT SEAL  
BOM AND PIN OUT SHEET

ASSEMBLY DESCRIPTION	ASSEMBLY PART NUMBER	COMPONENT				BLOCKED TERMINALS												STATUS	COMMENTS	OPTIONAL ATTACHMENTS SOLD SEPERATELY	
		THE PRESENCE OF AN ABBREVIATION INDICATES THE PRESENCE OF THAT COMPONENT.				CAVITY WITH A NUMBER INDICATES BLOCKED TERMINAL POSITION CAVITY WITHOUT A NUMBER INDICATES OPEN TERMINAL POSITION														BACKSHELL WITH RIBS	BACKSHELL WITHOUT RIBS
		HOUSING KEY/COLOR	GROMMET CAP	PLR	MAT SEAL	1	2	3	4	5	6	7	8	9	10	11	12				
KEY A, BLACK	33482-6273	A-BLK	GCP	PLR	M-B								8					SALEABLE		34950-1210	34950-1220
KEY A, BLACK	33482-6274	A-BLK	GCP	PLR	M-B	1		3	4	5	6		8		10	11	12	SALEABLE		34950-1210	34950-1220
KEY A, BLACK	33482-6275	A-BLK	GCP	PLR	M-B				4				8		10			SALEABLE		34950-1210	34950-1220
KEY A, BLACK	33482-6276	A-BLK	GCP	PLR	M-B	1	2	3	4		6		8		10	11	12	SALEABLE		34950-1210	34950-1220
KEY A, BLACK	33482-6277	A-BLK	GCP	PLR	M-B	1	2	3							11	12		SALEABLE		34950-1210	34950-1220
KEY A, BLACK	33482-6278	A-BLK	GCP	PLR	M-B						6					12		SALEABLE		34950-1210	34950-1220
KEY A, BLACK	33482-6279	A-BLK	GCP	PLR	M-B	1	2	3	4	5		7	8	9	10	11		SALEABLE		34950-1210	34950-1220
KEY A, BLACK	33482-6280	A-BLK	GCP	PLR	M-B	1	2	3	4	5	6		9					SALEABLE		34950-1210	34950-1220
KEY A, BLACK	33482-6281	A-BLK	GCP	PLR	M-B		2		4		6		8		10	11		SALEABLE		34950-1210	34950-1220
KEY A, BLACK	33482-6282	A-BLK	GCP	PLR	M-B	1	2	3	4	5	6			9	10	11	12	SALEABLE		34950-1210	34950-1220
KEY A, BLACK	33482-6283	A-BLK	GCP	PLR	M-B						6			9	10	11	12	SALEABLE		34950-1210	34950-1220
KEY A, BLACK	33482-6284	A-BLK	GCP	PLR	M-B	1		3	4	5	6	7	8		10	11	12	SALEABLE		34950-1210	34950-1220
KEY D, STONE GRAY	33482-6285	D-SG	GCP	PLR	M-B	1					6	7						SALEABLE		34950-1210	34950-1220
KEY A, BLACK	33482-6286	A-BLK	GCP	PLR	M-B		2	3					8	9				SALEABLE		34950-1210	34950-1220
KEY A, BLACK	33482-6287	A-BLK	GCP	PLR	M-B	1						7						SALEABLE		34950-1210	34950-1220
KEY A, BLACK	33482-6288	A-BLK	GCP	PLR	M-B	1					6							SALEABLE		34950-1210	34950-1220
KEY A, BLACK	33482-6289	A-BLK	GCP	PLR	M-B	1	2	3	4	5	6		8					SALEABLE		34950-1210	34950-1220
KEY A, BLACK	33482-6290	A-BLK	GCP	PLR	M-B	1						7					12	SALEABLE		34950-1210	34950-1220
KEY A, BLACK	33482-6291	A-BLK	GCP	PLR	M-B	1	2	3	4	5	6	7	8					SALEABLE		34950-1210	34950-1220
KEY A, BLACK	33482-6292	A-BLK	GCP	PLR	M-B									9				SALEABLE		34950-1210	34950-1220
KEY A, BLACK	33482-6293	A-BLK	GCP	PLR	M-B			3	4					9	10	11	12	SALEABLE		34950-1210	34950-1220
KEY A, BLACK	33482-6294	A-BLK	GCP	PLR	M-B	1	2			5	6	7	8					SALEABLE		34950-1210	34950-1220
KEY A, BLACK	33482-6295	A-BLK	GCP	PLR	M-B	1	2			5	6	7	8		11	12		SALEABLE		34950-1210	34950-1220
KEY A, BLACK	33482-6296	A-BLK	GCP	PLR	M-B	1	2	3	4	5	6	7	8	9	10			SALEABLE		34950-1210	34950-1220
KEY A, BLACK	33482-6297	A-BLK	GCP	PLR	M-B				4		6				10	11	12	SALEABLE		34950-1210	34950-1220
KEY A, BLACK	33482-6298	A-BLK	GCP	PLR	M-B						6				11	12		SALEABLE		34950-1210	34950-1220
KEY A, BLACK	33482-6299	A-BLK	GCP	PLR	M-B	1	2					7	8					SALEABLE		34950-1210	34950-1220
KEY A, BLACK	33482-6300	A-BLK	GCP	PLR	M-B	1	2	3					8		10	11	12	SALEABLE		34950-1210	34950-1220
KEY A, BLACK	33482-6301	A-BLK	GCP	PLR	M-B	1	2					7	8				12	SALEABLE		34950-1210	34950-1220
KEY B, LIGHT GRAY	33482-6302	B-LG	GCP	PLR	M-B										10	11		SALEABLE		34950-1210	34950-1220
KEY A, BLACK	33482-6303	A-BLK	GCP	PLR	M-B	1	2	3	4			7	8	9	10		12	SALEABLE		34950-1210	34950-1220
KEY A, BLACK	33482-6304	A-BLK	GCP	PLR	M-B	1	2	3	4			7	8	9	10			SALEABLE		34950-1210	34950-1220
KEY B, LIGHT GRAY	33482-6305	B-LG	GCP	PLR	M-B										10	11	12	SALEABLE		34950-1210	34950-1220
KEY B, LIGHT GRAY	33482-6306	B-LG	GCP	PLR	M-B	1	2	3	4	5	6	7			10	11	12	SALEABLE		34950-1210	34950-1220
KEY A, BLACK	33482-6307	A-BLK	GCP	PLR	M-B	1	2	3	4	5		7	8					SALEABLE		34950-1210	34950-1220
KEY A, BLACK	33482-6308	A-BLK	GCP	PLR	M-B							7	8	9	10	11	12	SALEABLE		34950-1210	34950-1220
KEY A, BLACK	33482-6309	A-BLK	GCP	PLR	M-B	1							8		10	11		SALEABLE		34950-1210	34950-1220
KEY A, BLACK	33482-6310	A-BLK	GCP	PLR	M-B	1			4						11			SALEABLE		34950-1210	34950-1220
KEY A, BLACK	33482-6311	A-BLK	GCP	PLR	M-B	1	2		4	5	6	7		9	10	11	12	SALEABLE		34950-1210	34950-1220
KEY A, BLACK	33482-6312	A-BLK	GCP	PLR	M-B								8	9				SALEABLE		34950-1210	34950-1220
KEY A, BLACK	33482-6313	A-BLK	GCP	PLR	M-B			3	4	5	6		8	9	10	11		SALEABLE		34950-1210	34950-1220
KEY A, BLACK	33482-6314	A-BLK	GCP	PLR	M-B			3			6	7	8	9	10			SALEABLE		34950-1210	34950-1220
KEY A, BLACK	33482-6315	A-BLK	GCP	PLR	M-B						6	7	8	9				SALEABLE		34950-1210	34950-1220
KEY A, BLACK	33482-6316	A-BLK	GCP	PLR	M-B					5	6	7	8		11			SALEABLE		34950-1210	34950-1220
KEY A, BLACK	33482-6317	A-BLK	GCP	PLR	M-B	1	2											SALEABLE		34950-1210	34950-1220
KEY A, BLACK	33482-6318	A-BLK	GCP	PLR	M-B	1	2	3	4	5	6	7	8					SALEABLE		34950-1210	34950-1220
KEY A, BLACK	33482-6319	A-BLK	GCP	PLR	M-B	1	2	3	4	5	6	7	8	9				SALEABLE		34950-1210	34950-1220
KEY C, DARK GRAY	33482-6320	C-DG	GCP	PLR	M-B	1					6	7						SALEABLE		34950-1210	34950-1220
KEY C, BROWN	33482-6321	C-BR	GCP	PLR	M-B	1	2	3	4	5	6							NOT RECOMMENDED	SEE 33482-6328	34950-1210	34950-1220
KEY C, BROWN	33482-6322	C-BR	GCP	PLR	M-B	1	2			5	6							NOT RECOMMENDED	SEE 33482-6329	34950-1210	34950-1220
KEY A, BLACK	33482-6323	A-BLK	GCP	PLR	M-B			3				7		9	10	11	12	SALEABLE		34950-1210	34950-1220
KEY A, BLACK	33482-6324	A-BLK	GCP	PLR	M-B			3						9	10	11	12	SALEABLE		34950-1210	34950-1220
KEY A, BLACK	33482-6325	A-BLK	GCP	PLR	M-B			3						9				SALEABLE		34950-1210	34950-1220
KEY A, BLACK	33482-6326	A-BLK	GCP	PLR	M-B					5	6	7			10	11		SALEABLE		34950-1210	34950-1220
KEY A, BLACK	33482-6327	A-BLK	GCP	PLR	M-B							7			11			SALEABLE		34950-1210	34950-1220
KEY C, DARK GRAY	33482-6328	C-DG	GCP	PLR	M-B	1	2	3	4	5	6							SALEABLE		34950-1210	34950-1220
KEY C, DARK GRAY	33482-6329	C-DG	GCP	PLR	M-B	1	2			5	6							SALEABLE		34950-1210	34950-1220
KEY A, BLACK	33482-6330	A-BLK	GCP	PLR	M-B	1	2	3	4				9	10	11	12		SALEABLE		34950-1210	34950-1220
KEY A, BLACK	33482-6331	A-BLK	GCP	PLR	M-B	1	2			6	7	8						SALEABLE		34950-1210	34950-1220
KEY A, BLACK	33482-6332	A-BLK	GCP	PLR	M-B				4	5		7	8	9	10			SALEABLE		34950-1210	34950-1220
KEY A, BLACK	33482-6333	A-BLK	GCP	PLR	M-B				4				9	10				SALEABLE		34950-1210	34950-1220
KEY A, BLACK	33482-6334	A-BLK	GCP	PLR	M-B				4	5			8		10			SALEABLE		34950-1210	34950-1220
KEY A, BLACK	33482-6335	A-BLK	GCP	PLR	M-B	1	2		4	5	6	7					12	SALEABLE		34950-1210	34950-1220
KEY A, YELLOW	33482-6336	A-YL	GCP	PLR	M-B													SALEABLE		34950-1210	34950-1220
KEY B, LIGHT GRAY	33482-6337	B-LG	GCP	PLR	M-B					5			8					SALEABLE		34950-1210	34950-1220
KEY B, LIGHT GRAY	33482-6338	B-LG	GCP	PLR	M-B					5			8			11	12	SALEABLE		34950-1210	34950-1220
KEY B, LIGHT GRAY	33482-6339	B-LG	GCP	PLR	M-B			3	4	5			8	9	10	11	12	SALEABLE		34950-1210	34950-1220
KEY B, LIGHT GRAY	33482-6340	B-LG	GCP	PLR	M-B	1	2	3	4	5			8	9	10	11	12	SALEABLE		34950-1210	34950-1220
KEY A, BLACK	33482-6341	A-BLK	GCP	PLR	M-B	1	2	3		5				9				SALEABLE		34950-1210	34950-1220
KEY A, BLACK	33482-6342	A-BLK	GCP	PLR	M-B		2	3		5						11		SALEABLE		34950-1210	34950-1220
KEY A, BLACK	33482-6343	A-BLK	GCP	PLR	M-B	1	2	3						9				SALEABLE		34950-1210	34950-1220
KEY A, BLACK	33482-6344	A-BLK	GCP	PLR	M-B	1	2	3	4	5				9		11	12	SALEABLE		34950-1210	34950-1220
KEY A, BLACK	33482-6345	A-BLK	GCP	PLR	M-B		2	3	4	5						11	12	SALEABLE		34950-1210	34950-1220
KEY A, BLACK	33482-6346	A-BLK	GCP	PLR	M-B	1												SALEABLE		34950-1210	34950-1220
KEY A, BLACK	33482-6347	A-BLK	GCP	PLR	M-B	1	2	3										SALEABLE		34950-1210	34950-1220
KEY B, LIGHT GRAY	33482-6348	B-LG	GCP	PLR	M-B	1	2	3	4		6</										

MX150 2X6 BLADE SEALED ASSY MAT SEAL  
BOM AND PIN OUT SHEET

ASSEMBLY DESCRIPTION	ASSEMBLY PART NUMBER	COMPONENT				BLOCKED TERMINALS												STATUS	COMMENTS	OPTIONAL ATTACHMENTS SOLD SEPERATELY	
		THE PRESENCE OF AN ABBREVIATION INDICATES THE PRESENCE OF THAT COMPONENT.				CAVITY WITH A NUMBER INDICATES BLOCKED TERMINAL POSITION CAVITY WITHOUT A NUMBER INDICATES OPEN TERMINAL POSITION														BACKSHELL WITH RIBS	BACKSHELL WITHOUT RIBS
		HOUSING KEY/COLOR	GROMMET CAP	PLR	MAT SEAL	1	2	3	4	5	6	7	8	9	10	11	12				
KEY A, BLACK	33482-6352	A-BLK	GCP	PLR	M-B	1	2	3	4	5	6	7	8	9	10	11	12	SALEABLE		34950-1210	34950-1220
KEY A, BLACK	33482-6353	A-BLK	GCP	PLR	M-B	1					6	7	8			12	SALEABLE		34950-1210	34950-1220	
KEY A, BLACK	33482-6354	A-BLK	GCP	PLR	M-B		2	3	4		6		8		10	11	12	SALEABLE		34950-1210	34950-1220
KEY A, BLACK	33482-6355	A-BLK	GCP	PLR	M-B		2				6	7	8		10	11		SALEABLE		34950-1210	34950-1220
KEY A, BLACK	33482-6356	A-BLK	GCP	PLR	M-B	1	2	3	4		6				10	11	12	SALEABLE		34950-1210	34950-1220
KEY A, BLACK	33482-6357	A-BLK	GCP	PLR	M-B					5			8					SALEABLE		34950-1210	34950-1220
KEY A, BLACK	33482-6358	A-BLK	GCP	PLR	M-B				4						10			SALEABLE		34950-1210	34950-1220
KEY A, BLACK	33482-6359	A-BLK	GCP	PLR	M-B				4			7	8	9	10	11	12	SALEABLE		34950-1210	34950-1220
KEY A, BLACK	33482-6360	A-BLK	GCP	PLR	M-B					5	6		8	9	10	11	12	SALEABLE		34950-1210	34950-1220
KEY A, BLACK	33482-6361	A-BLK	GCP	PLR	M-B				4	5	6		8	9	10	11	12	SALEABLE		34950-1210	34950-1220
KEY A, BLACK	33482-6362	A-BLK	GCP	PLR	M-B	1	2	3		5	6		8	9		11	12	SALEABLE		34950-1210	34950-1220
KEY A, BLACK	33482-6363	A-BLK	GCP	PLR	M-B				4	5		7	8	9	10	11	12	SALEABLE		34950-1210	34950-1220
KEY A, BLACK	33482-6364	A-BLK	GCP	PLR	M-B				4			7		9	10			SALEABLE		34950-1210	34950-1220
KEY A, BLACK	33482-6365	A-BLK	GCP	PLR	M-B						6	7	8	9	10	11	12	SALEABLE		34950-1210	34950-1220
KEY A, BLACK	33482-6366	A-BLK	GCP	PLR	M-B	1	2				6	7				11	12	SALEABLE		34950-1210	34950-1220
KEY A, BLACK	33482-6367	A-BLK	GCP	PLR	M-B					5			8		10			SALEABLE		34950-1210	34950-1220
KEY A, BLACK	33482-6368	A-BLK	GCP	PLR	M-B	1	2	3	4			7	8	9	10	11	12	SALEABLE		34950-1210	34950-1220
KEY A, BLACK	33482-6369	A-BLK	GCP	PLR	M-B				4									SALEABLE		34950-1210	34950-1220
KEY A, BLACK	33482-6370	A-BLK	GCP	PLR	M-B	1	2	3			6	7			10	11	12	SALEABLE		34950-1210	34950-1220
KEY A, BLACK	33482-6371	A-BLK	GCP	PLR	M-B							7	8			11		SALEABLE		34950-1210	34950-1220
KEY A, BLACK	33482-6372	A-BLK	GCP	PLR	M-B	1		3		5			8		10		12	SALEABLE		34950-1210	34950-1220
KEY A, BLACK	33482-6373	A-BLK	GCP	PLR	M-B		2		4		6	7		9		11		SALEABLE		34950-1210	34950-1220
KEY A, BLACK	33482-6374	A-BLK	GCP	PLR	M-B		2								10	11	12	SALEABLE		34950-1210	34950-1220
KEY A, BLACK	33482-6375	A-BLK	GCP	PLR	M-B							7		9	10			SALEABLE		34950-1210	34950-1220
KEY A, BLACK	33482-6376	A-BLK	GCP	PLR	M-B		2		4			7						SALEABLE		34950-1210	34950-1220
KEY A, BLACK	33482-6377	A-BLK	GCP	PLR	M-B	1	2	3	4		6			9	10	11	12	SALEABLE		34950-1210	34950-1220
KEY A, BLACK	33482-6378	A-BLK	GCP	PLR	M-B	1		3		5						11	12	SALEABLE		34950-1210	34950-1220
KEY A, BLACK	33482-6379	A-BLK	GCP	PLR	M-B	1		3		5			8		10	11	12	SALEABLE		34950-1210	34950-1220
KEY A, BLACK	33482-6380	A-BLK	GCP	PLR	M-B		2					7	8					SALEABLE		34950-1210	34950-1220
KEY A, BLACK	33482-6381	A-BLK	GCP	PLR	M-B		2		4			7	8					SALEABLE		34950-1210	34950-1220
KEY A, BLACK	33482-6382	A-BLK	GCP	PLR	M-B				4	5	6		8		10	11		SALEABLE		34950-1210	34950-1220
KEY A, BLACK	33482-6383	A-BLK	GCP	PLR	M-B	1	2	3	4			7	8	9	10	11		SALEABLE		34950-1210	34950-1220
KEY A, BLACK	33482-6384	A-BLK	GCP	PLR	M-B			3	4					9	10			SALEABLE		34950-1210	34950-1220
KEY A, BLACK	33482-6385	A-BLK	GCP	PLR	M-B			3	4						11	12		SALEABLE		34950-1210	34950-1220
KEY A, BLACK	33482-6386	A-BLK	GCP	PLR	M-B	1	2	3	4		6	7	8	9	10	11		SALEABLE		34950-1210	34950-1220
KEY A, BLACK	33482-6387	A-BLK	GCP	PLR	M-B	1	2	3	4	5	6	7	8	9			12	SALEABLE		34950-1210	34950-1220
KEY A, BLACK	33482-6388	A-BLK	GCP	PLR	M-B	1	2	3							10	11	12	SALEABLE		34950-1210	34950-1220
KEY A, BLACK	33482-6389	A-BLK	GCP	PLR	M-B	1	2	3			6					11	12	SALEABLE		34950-1210	34950-1220
KEY A, BLACK	33482-6390	A-BLK	GCP	PLR	M-B	1		3	4							11		SALEABLE		34950-1210	34950-1220
KEY A, BLACK	33482-6391	A-BLK	GCP	PLR	M-B	1	2	3			6				10	11	12	SALEABLE		34950-1210	34950-1220
KEY A, BLACK	33482-6392	A-BLK	GCP	PLR	M-B	1		3	4							11	12	SALEABLE		34950-1210	34950-1220
KEY A, BLACK	33482-6393	A-BLK	GCP	PLR	M-B				4	5		7				11	12	SALEABLE		34950-1210	34950-1220
KEY B, LIGHT GRAY	33482-6394	B-LG	GCP	PLR	M-B	1	2	3	4				8	9	10	11	12	SALEABLE		34950-1210	34950-1220
KEY B, LIGHT GRAY	33482-6395	B-LG	GCP	PLR	M-B	1	2	3	4				8	9	10			SALEABLE		34950-1210	34950-1220
KEY A, BLACK	33482-6396	A-BLK	GCP	PLR	M-B	1					6	7	8	9	10			SALEABLE		34950-1210	34950-1220
KEY A, BLACK	33482-6397	A-BLK	GCP	PLR	M-B				4		6		8					SALEABLE		34950-1210	34950-1220
KEY A, BLACK	33482-6398	A-BLK	GCP	PLR	M-B				4	5	6	7				11	12	SALEABLE		34950-1210	34950-1220
KEY A, BLACK	33482-6399	A-BLK	GCP	PLR	M-B	1	2	3	4	5	6	7	8			11	12	SALEABLE		34950-1210	34950-1220
KEY A, BLACK	33482-6400	A-BLK	GCP	PLR	M-B	1	2	3				7	8					SALEABLE		34950-1210	34950-1220
KEY A, BLACK	33482-6401	A-BLK	GCP	PLR	M-B	1	2	3				7	8	9	10			SALEABLE		34950-1210	34950-1220
KEY A, BLACK	33482-6402	A-BLK	GCP	PLR	M-B				4	5	6		8					SALEABLE		34950-1210	34950-1220
KEY A, BLACK	33482-6403	A-BLK	GCP	PLR	M-B					5	6	7	8	9	10	11	12	SALEABLE		34950-1210	34950-1220
KEY A, BLACK	33482-6404	A-BLK	GCP	PLR	M-B					5	6	7	8				12	SALEABLE		34950-1210	34950-1220
KEY A, BLACK	33482-6405	A-BLK	GCP	PLR	M-B							7	8				12	SALEABLE		34950-1210	34950-1220
KEY A, BLACK	33482-6406	A-BLK	GCP	PLR	M-B		2	3		5	6	7		9	10	11	12	SALEABLE		34950-1210	34950-1220
KEY A, BLACK	33482-6407	A-BLK	GCP	PLR	M-B			3							10	11	12	SALEABLE		34950-1210	34950-1220
KEY A, BLACK	33482-6408	A-BLK	GCP	PLR	M-B				4	5	6	7	8		10	11	12	SALEABLE		34950-1210	34950-1220
KEY A, BLACK	33482-6409	A-BLK	GCP	PLR	M-B			3	4	5	6	7	8		10	11	12	SALEABLE		34950-1210	34950-1220
KEY A, BLACK	33482-6410	A-BLK	GCP	PLR	M-B	1	2	3	4				8	9				SALEABLE		34950-1210	34950-1220
KEY A, BLACK	33482-6411	A-BLK	GCP	PLR	M-B		2	3					9					SALEABLE		34950-1210	34950-1220
KEY A, BLACK	33482-6412	A-BLK	GCP	PLR	M-B								8		10	11		SALEABLE		34950-1210	34950-1220
KEY A, BLACK	33482-6413	A-BLK	GCP	PLR	M-B	1		3		5						11		SALEABLE		34950-1210	34950-1220
KEY A, BLACK	33482-6414	A-BLK	GCP	PLR	M-B	1		3		5			8		10	11		SALEABLE		34950-1210	34950-1220
KEY A, BLACK	33482-6415	A-BLK	GCP	PLR	M-B		2	3		5	6	7		9		11	12	SALEABLE		34950-1210	34950-1220
KEY A, BLACK	33482-6416	A-BLK	GCP	PLR	M-B	1			4	5	6		8		10		12	SALEABLE		34950-1210	34950-1220
KEY A, BLACK	33482-6417	A-BLK	GCP	PLR	M-B	1			4	5			8		10		12	SALEABLE		34950-1210	34950-1220
KEY A, BLACK	33482-6418	A-BLK	GCP	PLR	M-B	1	2	3	4	5			8		10	11	12	SALEABLE		34950-1210	34950-1220
KEY A, BLACK	33482-6419	A-BLK	GCP	PLR	M-B		2	3		5	6	7		9	10	11	12	SALEABLE	SEE 33482-6406	34950-1210	34950-1220
KEY A, BLACK	33482-6420	A-BLK	GCP	PLR	M-B	1	2	3	4				8	9				SALEABLE	SEE 33482-6410	34950-1210	34950-1220
KEY A, BLACK	33482-6421	A-BLK	GCP	PLR	M-B		2	3						9				SALEABLE	SEE 33482-6411	34950-1210	34950-1220
KEY A, BLACK	33482-6422	A-BLK	GCP	PLR	M-B								8		10	11		SALEABLE	SEE 33482-6412	34950-1210	34950-1220
KEY A, BLACK	33482-6423	A-BLK	GCP	PLR	M-B	1		3		5						11		SALEABLE	SEE 33482-6413	34950-1210	34950-1220
KEY A, BLACK	33482-6424	A-BLK	GCP	PLR	M-B	1		3		5			8		10	11		SALEABLE	SEE 33482-6414	34950-1210	34950-1220
KEY A, BLACK	33482-6425	A-BLK	GCP	PLR	M-B		2		4		6	7	8	9	10	11	12	SALEABLE		34950-1210	34950-1220
KEY A, BLACK	33482-6426	A-BLK	GCP	PLR	M-B			3	4												

MX150 2X6 BLADE SEALED ASSY MAT SEAL  
BOM AND PIN OUT SHEET

ASSEMBLY DESCRIPTION	ASSEMBLY PART NUMBER	COMPONENT				BLOCKED TERMINALS												STATUS	COMMENTS	OPTIONAL ATTACHMENTS SOLD SEPERATELY			
		THE PRESENCE OF AN ABBREVIATION INDICATES THE PRESENCE OF THAT COMPONENT.				CAVITY WITH A NUMBER INDICATES BLOCKED TERMINAL POSITION CAVITY WITHOUT A NUMBER INDICATES OPEN TERMINAL POSITION														BACKSHELL WITH RIBS	BACKSHELL WITHOUT RIBS		
		HOUSING KEY/COLOR	GROMMET CAP	PLR	MAT SEAL	1	2	3	4	5	6	7	8	9	10	11	12						
KEY B, LIGHT GRAY	33482-6431	B-LG	GCP	PLR	M-B	1	2	3	4				8			11	12	SALEABLE		34950-1210	34950-1220		
KEY B, LIGHT GRAY	33482-6432	B-LG	GCP	PLR	M-B	1	2	3	4				8					SALEABLE		34950-1210	34950-1220		
KEY A, BLACK	33482-6433	A-BLK	GCP	PLR	M-B										10	11	12	SALEABLE	SEE 33482-6249	34950-1210	34950-1220		
KEY B, LIGHT GRAY	33482-6434	B-LG	GCP	PLR	M-B							7	8	9			12	SALEABLE		34950-1210	34950-1220		
KEY A, BLACK	33482-6435	A-BLK	GCP	PLR	M-B							7	8	9	10	11	12	SALEABLE	SEE 33482-6308	34950-1210	34950-1220		
KEY A, BLACK	33482-6436	A-BLK	GCP	PLR	M-B		2						8	9	10	11	12	SALEABLE		34950-1210	34950-1220		
KEY A, BLACK	33482-6437	A-BLK	GCP	PLR	M-B		2						8	9				SALEABLE		34950-1210	34950-1220		
KEY B, LIGHT GRAY	33482-6438	B-LG	GCP	PLR	M-B	1	2	3	4							11	12	NOT RECOMMENDED	SEE 33482-6431	34950-1210	34950-1220		
KEY B, LIGHT GRAY	33482-6439	B-LG	GCP	PLR	M-B	1	2	3	4				8					NOT RECOMMENDED	SEE 33482-6432	34950-1210	34950-1220		
KEY A, BLACK	33482-6440	A-BLK	GCP	PLR	M-B	1	2					6		9	10			SALEABLE		34950-1210	34950-1220		
KEY A, BLACK	33482-6441	A-BLK	GCP	PLR	M-B	1	2	3				6	7		10	11	12	SALEABLE	SEE 33482-6370	34950-1210	34950-1220		
KEY A, BLACK	33482-6442	A-BLK	GCP	PLR	M-B		2		4			6		8				SALEABLE		34950-1210	34950-1220		
KEY A, BLACK	33482-6443	A-BLK	GCP	PLR	M-B		2		4			6						SALEABLE		34950-1210	34950-1220		
KEY A, BLACK	33482-6444	A-BLK	GCP	PLR	M-B			3	4			6		8	9			SALEABLE		34950-1210	34950-1220		
KEY A, BLACK	33482-6445	A-BLK	GCP	PLR	M-B				4				7	9	10	11	12	SALEABLE		34950-1210	34950-1220		
KEY C, DARK GRAY	33482-6446	C-DG	GCP	PLR	M-B			3	4									SALEABLE		34950-1210	34950-1220		
KEY A, BLACK	33482-6447	A-BLK	GCP	PLR	M-B	1	2	3				6		8		11	12	SALEABLE		34950-1210	34950-1220		
KEY A, BLACK	33482-6448	A-BLK	GCP	PLR	M-B							5	6	7	8	9	10	SALEABLE		34950-1210	34950-1220		
KEY B, LIGHT GRAY	33482-6449	B-LG	GCP	PLR	M-B							7			10	11	12	SALEABLE		34950-1210	34950-1220		
KEY A, BLACK	33482-6450	A-BLK	GCP	PLR	M-B		2	3				5	6	7	8		10	11	12	SALEABLE		34950-1210	34950-1220
KEY A, BLACK	33482-6451	A-BLK	GCP	PLR	M-B							5	6	7	8			SALEABLE		34950-1210	34950-1220		
KEY A, BLACK	33482-6452	A-BLK	GCP	PLR	M-B			3	4				8	9	10	11	12	SALEABLE		34950-1210	34950-1220		
KEY A, BLACK	33482-6453	A-BLK	GCP	PLR	M-B	1	2	3	4				8	9	10	11	12	SALEABLE		34950-1210	34950-1220		
KEY A, BLACK	33482-6454	A-BLK	GCP	PLR	M-B	1		3	4				7	8	9		12	SALEABLE		34950-1210	34950-1220		
KEY A, BLACK	33482-6455	A-BLK	GCP	PLR	M-B	1			4				7	8			12	SALEABLE		34950-1210	34950-1220		
KEY A, BLACK	33482-6456	A-BLK	GCP	PLR	M-B	1	2		4	5	6					11		SALEABLE		34950-1210	34950-1220		
KEY A, BLACK	33482-6457	A-BLK	GCP	PLR	M-B		2		4	5	6	7					12	SALEABLE		34950-1210	34950-1220		
KEY A, BLACK	33482-6458	A-BLK	GCP	PLR	M-B		2				6						12	SALEABLE		34950-1210	34950-1220		
KEY A, BLACK	33482-6459	A-BLK	GCP	PLR	M-B			3				7	8	9				SALEABLE		34950-1210	34950-1220		
KEY A, BLACK	33482-6460	A-BLK	GCP	PLR	M-B	1							7	8			12	SALEABLE		34950-1210	34950-1220		
KEY A, BLACK	33482-6461	A-BLK	GCP	PLR	M-B		2				5	6	7	8			11	SALEABLE		34950-1210	34950-1220		
KEY A, BLACK	33482-6462	A-BLK	GCP	PLR	M-B		2	3			5	6	7	8	9			SALEABLE		34950-1210	34950-1220		
KEY A, BLACK	33482-6463	A-BLK	GCP	PLR	M-B	1	2		4	5	6	7				11	12	SALEABLE		34950-1210	34950-1220		
KEY A, BLACK	33482-6464	A-BLK	GCP	PLR	M-B	1	2		4	5	6	7	8		10	11	12	SALEABLE		34950-1210	34950-1220		
KEY A, BLACK	33482-6465	A-BLK	GCP	PLR	M-B	1	2	3	4	5	6	7		9		11	12	SALEABLE		34950-1210	34950-1220		
KEY A, BLACK	33482-6466	A-BLK	GCP	PLR	M-B												12	SALEABLE		34950-1210	34950-1220		
KEY A, BLACK	33482-6467	A-BLK	GCP	PLR	M-B		2	3	4									SALEABLE		34950-1210	34950-1220		
KEY A, BLACK	33482-6468	A-BLK	GCP	PLR	M-B				4	5			8		10	11	12	SALEABLE		34950-1210	34950-1220		
KEY A, BLACK	33482-6469	A-BLK	GCP	PLR	M-B	1								9	10			SALEABLE		34950-1210	34950-1220		
KEY A, BLACK	33482-6470	A-BLK	GCP	PLR	M-B								7	8	9		12	SALEABLE		34950-1210	34950-1220		
KEY C, DARK GRAY	33482-6471	C-DG	GCP	PLR	M-B			3	4									SALEABLE		34950-1210	34950-1220		
KEY A, BLACK	33482-6472	A-BLK	GCP	PLR	M-B	1	2						7	8	9	10	11	12	SALEABLE		34950-1210	34950-1220	
KEY A, BLACK	33482-6473	A-BLK	GCP	PLR	M-B							5		7	8	9	11	SALEABLE		34950-1210	34950-1220		
KEY A, BLACK	33482-6474	A-BLK	GCP	PLR	M-B	1	2					5			10		12	SALEABLE		34950-1210	34950-1220		
KEY A, BLACK	33482-6475	A-BLK	GCP	PLR	M-B							5						SALEABLE		34950-1210	34950-1220		
KEY A, BLACK	33482-6476	A-BLK	GCP	PLR	M-B			3	4	5								SALEABLE		34950-1210	34950-1220		
KEY A, BLACK	33482-6477	A-BLK	GCP	PLR	M-B	1	2					5			9	10	11	12	SALEABLE		34950-1210	34950-1220	
KEY A, BLACK	33482-6478	A-BLK	GCP	PLR	M-B							5			9		11	SALEABLE		34950-1210	34950-1220		
KEY A, BLACK	33482-6479	A-BLK	GCP	PLR	M-B	1							8				11	SALEABLE		34950-1210	34950-1220		
KEY A, BLACK	33482-6480	A-BLK	GCP	PLR	M-B	1			4	5	6	7						SALEABLE		34950-1210	34950-1220		
KEY A, BLACK	33482-6481	A-BLK	GCP	PLR	M-B	1			4	5	6	7	8				11	SALEABLE		34950-1210	34950-1220		
KEY A, BLACK	33482-6482	A-BLK	GCP	PLR	M-B	1	2	3	4	5	6	7	8				11	SALEABLE		34950-1210	34950-1220		
KEY B, LIGHT GRAY	33482-6483	B-LG	GCP	PLR	M-B	1					6	7			10	11	12	SALEABLE		34950-1210	34950-1220		
KEY B, LIGHT GRAY	33482-6484	B-LG	GCP	PLR	M-B	1					6	7	8	9	10	11	12	SALEABLE		34950-1210	34950-1220		
KEY B, LIGHT GRAY	33482-6485	B-LG	GCP	PLR	M-B	1					5	6	7	8	9	10	11	12	SALEABLE		34950-1210	34950-1220	
KEY A, BLACK	33482-6486	A-BLK	GCP	PLR	M-B	1	2				5							SALEABLE		34950-1210	34950-1220		
KEY A, BLACK	33482-6487	A-BLK	GCP	PLR	M-B							7					11	12	SALEABLE		34950-1210	34950-1220	
KEY A, BLACK	33482-6488	A-BLK	GCP	PLR	M-B	1	2	3	4	5	6	7	8					SALEABLE		34950-1210	34950-1220		
KEY A, BLACK	33482-6489	A-BLK	GCP	PLR	M-B				3			7	8					SALEABLE		34950-1210	34950-1220		
KEY A, BLACK	33482-6490	A-BLK	GCP	PLR	M-B	1	2	3	4								11	12	SALEABLE		34950-1210	34950-1220	
KEY A, BLACK	33482-6491	A-BLK	GCP	PLR	M-B	1					5			7	9			SALEABLE		34950-1210	34950-1220		
KEY A, BLACK	33482-6492	A-BLK	GCP	PLR	M-B		2				6	7	8					SALEABLE		34950-1210	34950-1220		
KEY A, BLACK	33482-6493	A-BLK	GCP	PLR	M-B						5			7		9	10	11	12	SALEABLE		34950-1210	34950-1220
KEY A, BLACK	33482-6494	A-BLK	GCP	PLR	M-B						5				9	10	11		SALEABLE		34950-1210	34950-1220	
KEY A, BLACK	33482-6495	A-BLK	GCP	PLR	M-B	1	2	3	4	5	6		8	9	10	11		SALEABLE		34950-1210	34950-1220		
KEY A, BLACK	33482-6496	A-BLK	GCP	PLR	M-B	1	2	3	4		6	7	8	9			12	SALEABLE		34950-1210	34950-1220		





MX150 2X8 BLADE SEALED ASSY MAT SEAL  
BOM AND PIN OUT SHEET

ASSEMBLY DESCRIPTION	ASSEMBLY PART NUMBER	COMPONENT				BLOCKED TERMINALS																STATUS	COMMENTS	OPTIONAL ATTACHMENTS SOLD SEPARATELY			
		THE PRESENCE OF AN ABBREVIATION INDICATES THE PRESENCE OF THAT COMPONENT.				CAVITY WITH A NUMBER INDICATES BLOCKED TERMINAL POSITION CAVITY WITHOUT A NUMBER INDICATES OPEN TERMINAL POSITION																		BACKSHELL WITH RIBS	BACKSHELL WITHOUT RIBS	90° ADAPTOR WITH RIBS	90° ADAPTOR WITHOUT RIBS
		HOUSING KEY/COLOR	GROMMET CAP	PLR	MAT SEAL	1	2	3	4	5	6	7	8	9	10	11	12	13	14	15	16						
KEY A, BLACK	33482-1781	A-BLK	GCP	PLR	M-R	1			4	5	6	7	8	9	10			13	14	15		PLANNED OBSOLESCENCE	SEE 33482-8781	34950-1611	34950-1621	34951-1631	34951-1641
KEY A, BLACK	33482-1782	A-BLK	GCP	PLR	M-R	1			4		6	7	8		10	11	12	13	14	15		PLANNED OBSOLESCENCE	SEE 33482-8782	34950-1611	34950-1621	34951-1631	34951-1641
KEY A, BLACK	33482-1783	A-BLK	GCP	PLR	M-R											11	12			15		PLANNED OBSOLESCENCE	SEE 33482-8783	34950-1611	34950-1621	34951-1631	34951-1641
KEY A, BLACK	33482-1784	A-BLK	GCP	PLR	M-R			3														PLANNED OBSOLESCENCE	SEE 33482-8784	34950-1611	34950-1621	34951-1631	34951-1641
KEY A, BLACK	33482-1785	A-BLK	GCP	PLR	M-R	1				5		7			11	12	13	14	15	16		PLANNED OBSOLESCENCE	SEE 33482-8785	34950-1611	34950-1621	34951-1631	34951-1641
KEY A, BLACK	33482-1786	A-BLK	GCP	PLR	M-R						5	7										PLANNED OBSOLESCENCE	SEE 33482-8786	34950-1611	34950-1621	34951-1631	34951-1641
KEY A, BLACK	33482-1787	A-BLK	GCP	PLR	M-R	1	2			5				9								PLANNED OBSOLESCENCE	SEE 33482-8787	34950-1611	34950-1621	34951-1631	34951-1641
KEY A, BLACK	33482-1788	A-BLK	GCP	PLR	M-R	1	2					7			11	12	13	14	15	16		PLANNED OBSOLESCENCE	SEE 33482-8788	34950-1611	34950-1621	34951-1631	34951-1641
KEY A, BLACK	33482-1789	A-BLK	GCP	PLR	M-R	1	2			5				9								PLANNED OBSOLESCENCE	SEE 33482-8789	34950-1611	34950-1621	34951-1631	34951-1641
KEY A, BLACK	33482-1790	A-BLK	GCP	PLR	M-R	1	2			5		7			11	12	13	14	15	16		PLANNED OBSOLESCENCE	SEE 33482-8790	34950-1611	34950-1621	34951-1631	34951-1641
KEY A, BLACK	33482-1791	A-BLK	GCP	PLR	M-R	1	2	3														PLANNED OBSOLESCENCE	SEE 33482-8791	34950-1611	34950-1621	34951-1631	34951-1641
KEY A, BLACK	33482-1792	A-BLK	GCP	PLR	M-R					5		7									16	PLANNED OBSOLESCENCE	SEE 33482-8792	34950-1611	34950-1621	34951-1631	34951-1641
KEY A, BLACK	33482-1793	A-BLK	GCP	PLR	M-R										10	11						PLANNED OBSOLESCENCE	SEE 33482-8793	34950-1611	34950-1621	34951-1631	34951-1641
KEY A, BLACK	33482-1794	A-BLK	GCP	PLR	M-R	1	2	3		5	6						12	13				PLANNED OBSOLESCENCE	SEE 33482-8794	34950-1611	34950-1621	34951-1631	34951-1641
KEY A, BLACK	33482-1795	A-BLK	GCP	PLR	M-R									10			13	14	15			PLANNED OBSOLESCENCE	SEE 33482-8795	34950-1611	34950-1621	34951-1631	34951-1641
KEY A, BLACK	33482-1796	A-BLK	GCP	PLR	M-R							7		9				14	15	16		PLANNED OBSOLESCENCE	SEE 33482-8796	34950-1611	34950-1621	34951-1631	34951-1641
KEY A, BLACK	33482-1797	A-BLK	GCP	PLR	M-R							7	8									PLANNED OBSOLESCENCE	SEE 33482-8797	34950-1611	34950-1621	34951-1631	34951-1641
KEY A, BLACK	33482-1798	A-BLK	GCP	PLR	M-R			3						10	11	12	13	14	15	16		PLANNED OBSOLESCENCE	SEE 33482-8798	34950-1611	34950-1621	34951-1631	34951-1641
KEY A, BLACK	33482-1799	A-BLK	GCP	PLR	M-R					5	6	7			10				15	16		PLANNED OBSOLESCENCE	SEE 33482-8799	34950-1611	34950-1621	34951-1631	34951-1641
KEY A, BLACK	33482-1800	A-BLK	GCP	PLR	M-R	1	2			5								13	14			PLANNED OBSOLESCENCE	SEE 33482-8800	34950-1611	34950-1621	34951-1631	34951-1641
KEY A, BLACK	33482-1801	A-BLK	GCP	PLR	M-R					5		7	8	9	10	11	12	13	14			PLANNED OBSOLESCENCE	SEE 33482-8801	34950-1611	34950-1621	34951-1631	34951-1641
KEY A, BLACK	33482-1802	A-BLK	GCP	PLR	M-R					5								13	14			PLANNED OBSOLESCENCE	SEE 33482-8802	34950-1611	34950-1621	34951-1631	34951-1641
KEY A, BLACK	33482-1803	A-BLK	GCP	PLR	M-R	1	2			5												PLANNED OBSOLESCENCE	SEE 33482-8803	34950-1611	34950-1621	34951-1631	34951-1641
KEY A, BLACK	33482-1804	A-BLK	GCP	PLR	M-R	1	2			5		7	8	9	10	11	12	13	14			PLANNED OBSOLESCENCE	SEE 33482-8804	34950-1611	34950-1621	34951-1631	34951-1641
KEY A, BLACK	33482-1805	A-BLK	GCP	PLR	M-R						6				10	11	12	13	14	15	16	PLANNED OBSOLESCENCE	SEE 33482-8805	34950-1611	34950-1621	34951-1631	34951-1641
KEY A, BLACK	33482-1806	A-BLK	GCP	PLR	M-R						6						13	14	15	16		PLANNED OBSOLESCENCE	SEE 33482-8806	34950-1611	34950-1621	34951-1631	34951-1641
KEY A, BLACK	33482-1807	A-BLK	GCP	PLR	M-R						6						13	14				PLANNED OBSOLESCENCE	SEE 33482-8807	34950-1611	34950-1621	34951-1631	34951-1641
KEY A, BLACK	33482-1808	A-BLK	GCP	PLR	M-R	1	2	3	4	5	6						13	14	15	16		PLANNED OBSOLESCENCE	SEE 33482-8808	34950-1611	34950-1621	34951-1631	34951-1641
KEY A, BLACK	33482-1809	A-BLK	GCP	PLR	M-R	1							8						15			PLANNED OBSOLESCENCE	SEE 33482-8809	34950-1611	34950-1621	34951-1631	34951-1641
KEY A, BLACK	33482-1810	A-BLK	GCP	PLR	M-R	1															15	PLANNED OBSOLESCENCE	SEE 33482-8810	34950-1611	34950-1621	34951-1631	34951-1641
KEY A, BLACK	33482-1811	A-BLK	GCP	PLR	M-R								8					13				PLANNED OBSOLESCENCE	SEE 33482-8811	34950-1611	34950-1621	34951-1631	34951-1641
KEY A, BLACK	33482-1812	A-BLK	GCP	PLR	M-R								8									PLANNED OBSOLESCENCE	SEE 33482-8812	34950-1611	34950-1621	34951-1631	34951-1641
KEY A, BLACK	33482-1813	A-BLK	GCP	PLR	M-R				4	5	6	7	8		10	11	12	13	14	15	16	PLANNED OBSOLESCENCE	SEE 33482-8813	34950-1611	34950-1621	34951-1631	34951-1641
KEY A, BLACK	33482-1814	A-BLK	GCP	PLR	M-R								7		10							PLANNED OBSOLESCENCE	SEE 33482-8814	34950-1611	34950-1621	34951-1631	34951-1641
KEY A, BLACK	33482-1815	A-BLK	GCP	PLR	M-R	1		3		5	6						12	13				PLANNED OBSOLESCENCE	SEE 33482-8815	34950-1611	34950-1621	34951-1631	34951-1641
KEY A, BLACK	33482-1816	A-BLK	GCP	PLR	M-R			3		5	6	7			10			13	14	15	16	PLANNED OBSOLESCENCE	SEE 33482-8816	34950-1611	34950-1621	34951-1631	34951-1641
KEY A, BLACK	33482-1817	A-BLK	GCP	PLR	M-R											11	12	13	14	15	16	PLANNED OBSOLESCENCE	SEE 33482-8817	34950-1611	34950-1621	34951-1631	34951-1641
KEY A, BLACK	33482-1818	A-BLK	GCP	PLR	M-R					6	7	8			10	11	12	13	14	15		PLANNED OBSOLESCENCE	SEE 33482-8818	34950-1611	34950-1621	34951-1631	34951-1641
KEY A, BLACK	33482-1819	A-BLK	GCP	PLR	M-R	1	2					7	8	9	10	11	12	13	14	15	16	PLANNED OBSOLESCENCE	SEE 33482-8819	34950-1611	34950-1621	34951-1631	34951-1641
KEY A, BLACK	33482-1820	A-BLK	GCP	PLR	M-R								7				12	13	14			PLANNED OBSOLESCENCE	SEE 33482-8820	34950-1611	34950-1621	34951-1631	34951-1641
KEY A, BLACK	33482-1821	A-BLK	GCP	PLR	M-R			2	3					9	10	11				15	16	PLANNED OBSOLESCENCE	SEE 33482-8821	34950-1611	34950-1621	34951-1631	34951-1641
KEY A, BLACK	33482-1822	A-BLK	GCP	PLR	M-R	1			4	5	6		8				12	13	14			PLANNED OBSOLESCENCE	SEE 33482-8822	34950-1611	34950-1621	34951-1631	34951-1641
KEY B, LIGHT GRAY	33482-1823	B-LG	GCP	PLR	M-R					5	6			9			12	13	14	15		PLANNED OBSOLESCENCE	SEE 33482-8823	34950-1611	34950-1621	34951-1631	34951-1641
KEY A, BLACK	33482-1824	A-BLK	GCP	PLR	M-R								7	8								PLANNED OBSOLESCENCE	SEE 33482-8824	34950-1611	34950-1621	34951-1631	34951-1641
KEY A, BLACK	33482-1825	A-BLK	GCP	PLR	M-R										10			13	14	15	16	PLANNED OBSOLESCENCE	SEE 33482-8825	34950-1611	34950-1621	34951-1631	34951-1641
KEY A, BLACK	33482-1826	A-BLK	GCP	PLR	M-R	1	2	3	4	5	6					11	12					PLANNED OBSOLESCENCE	SEE 33482-8826	34950-1611	34950-1621	34951-1631	34951-1641
KEY A, BLACK	33482-1827	A-BLK	GCP	PLR	M-R									9								PLANNED OBSOLESCENCE	SEE 33482-8827	34950-1611	34950-1621	34951-1631	34951-1641
KEY A, BLACK	33482-1828	A-BLK	GCP	PLR	M-R							6	7	8	9							PLANNED OBSOLESCENCE	SEE 33482-8828	34950-1611	34950-1621	34951-1631	34951-1641
KEY A, BLACK	33482-1829	A-BLK	GCP	PLR	M-R	1	2		4	5	6	7	8	9						15	16	PLANNED OBSOLESCENCE	SEE 33482-8829	34950-1611	34950-1621	34951-1631	34951-1641
KEY A, BLACK	33482-1830	A-BLK	GCP	PLR	M-R											11	12	13	14	15		PLANNED OBSOLESCENCE	SEE 33482-8830	34950-1611	34950-1621	34951-1631	34951-1641
KEY A, BLACK	33482-1831	A-BLK	GCP	PLR	M-R												12	13	14			PLANNED OBSOLESCENCE	SEE 33482-8831	34950-1611	34950-1621	34951-1631	34951-1641
KEY B, LIGHT GRAY	33482-1832	B-LG	GCP	PLR	M-R															14	15	PLANNED OBSOLESCENCE	SEE 33482-8832	34950-1611	34950-1621	34951-1631	34951-1641
KEY A, BLACK	33482-1833	A-BLK	GCP	PLR	M-R			2					8		10	11					16	PLANNED OBSOLESCENCE	SEE 33482-8833	34950-1611	34950-1621	34951-1631	34951-1641
KEY A, BLACK	33482-1834	A-BLK	GCP	PLR	M-R					</																	

MX150 2X8 BLADE SEALED ASSY MAT SEAL  
BOM AND PIN OUT SHEET

ASSEMBLY DESCRIPTION	ASSEMBLY PART NUMBER	COMPONENT				BLOCKED TERMINALS																STATUS	COMMENTS	OPTIONAL ATTACHMENTS SOLD SEPARATELY					
		THE PRESENCE OF AN ABBREVIATION INDICATES THE PRESENCE OF THAT COMPONENT.				CAVITY WITH A NUMBER INDICATES BLOCKED TERMINAL POSITION CAVITY WITHOUT A NUMBER INDICATES OPEN TERMINAL POSITION																		BACKSHELL WITH RIBS	BACKSHELL WITHOUT RIBS	90° ADAPTOR WITH RIBS	90° ADAPTOR WITHOUT RIBS		
		HOUSING KEY/COLOR	GROMMET CAP	PLR	MAT SEAL	1	2	3	4	5	6	7	8	9	10	11	12	13	14	15	16								
KEY A, BLACK	33482-1882	A-BLK	GCP	PLR	M-B			3			6			9	10	11	12	13	14	15	16	PLANNED OBSOLESCENCE	SEE 33482-8882	34950-1611	34950-1621	34951-1631	34951-1641		
KEY A, BLACK	33482-1883	A-BLK	GCP	PLR	M-B						6		8							15	16	PLANNED OBSOLESCENCE	SEE 33482-8883	34950-1611	34950-1621	34951-1631	34951-1641		
KEY A, BLACK	33482-1884	A-BLK	GCP	PLR	M-B						6		8	9	10	11	12			15	16	PLANNED OBSOLESCENCE	SEE 33482-8884	34950-1611	34950-1621	34951-1631	34951-1641		
KEY A, BLACK	33482-1885	A-BLK	GCP	PLR	M-B						6		8	9	10	11	12			15	16	PLANNED OBSOLESCENCE	SEE 33482-8885	34950-1611	34950-1621	34951-1631	34951-1641		
KEY A, BLACK	33482-1886	A-BLK	GCP	PLR	M-B			3	4			6		8						15	16	PLANNED OBSOLESCENCE	SEE 33482-8886	34950-1611	34950-1621	34951-1631	34951-1641		
KEY A, BLACK	33482-1887	A-BLK	GCP	PLR	M-B							6		8	9	10				15	16	PLANNED OBSOLESCENCE	SEE 33482-8887	34950-1611	34950-1621	34951-1631	34951-1641		
KEY A, BLACK	33482-1888	A-BLK	GCP	PLR	M-B							6		8	9					15	16	PLANNED OBSOLESCENCE	SEE 33482-8888	34950-1611	34950-1621	34951-1631	34951-1641		
KEY A, BLACK	33482-1889	A-BLK	GCP	PLR	M-B							6		8	9					15	16	PLANNED OBSOLESCENCE	SEE 33482-8889	34950-1611	34950-1621	34951-1631	34951-1641		
KEY A, BLACK	33482-8601	A-BLK	GCP	PLR	M-B				4				8	9	10			13	14	15	16	PLANNED OBSOLESCENCE	SEE 33482-8889	34950-1611	34950-1621	34951-1631	34951-1641		
KEY B, LIGHT GRAY	33482-8602	B-LG	GCP	PLR	M-B																	SALEABLE		34950-1611	34950-1621	34951-1631	34951-1641		
KEY C, BROWN	33482-8603	C-BR	GCP	PLR	M-B																	SALEABLE		34950-1611	34950-1621	34951-1631	34951-1641		
KEY D, GREEN	33482-8604	D-GR	GCP	PLR	M-B																	NOT RECOMMENDED	SEE 33482-8725	34950-1611	34950-1621	34951-1631	34951-1641		
VOID KEY	33482-8605																					NOT RECOMMENDED	SEE 33482-8726	34950-1611	34950-1621	34951-1631	34951-1641		
KEY A, BLACK	33482-8606	A-BLK	GCP	PLR	M-B								8									SALEABLE		34950-1611	34950-1621	34951-1631	34951-1641		
KEY B, LIGHT GRAY	33482-8607	B-LG	GCP	PLR	M-B								8									SALEABLE		34950-1611	34950-1621	34951-1631	34951-1641		
KEY C, BROWN	33482-8608	C-BR	GCP	PLR	M-B								8									NOT RECOMMENDED	SEE 33482-8751	34950-1611	34950-1621	34951-1631	34951-1641		
KEY D, GREEN	33482-8609	D-GR	GCP	PLR	M-B								8									NOT RECOMMENDED	SEE 33482-8752	34950-1611	34950-1621	34951-1631	34951-1641		
VOID KEY	33482-8610																												
KEY A, BLACK	33482-8611	A-BLK	GCP	PLR	M-B								8	9								SALEABLE		34950-1611	34950-1621	34951-1631	34951-1641		
KEY B, LIGHT GRAY	33482-8612	B-LG	GCP	PLR	M-B								8	9								SALEABLE		34950-1611	34950-1621	34951-1631	34951-1641		
KEY C, BROWN	33482-8613	C-BR	GCP	PLR	M-B								8	9								NOT RECOMMENDED	SEE 33482-8753	34950-1611	34950-1621	34951-1631	34951-1641		
KEY D, GREEN	33482-8614	D-GR	GCP	PLR	M-B								8	9								NOT RECOMMENDED	SEE 33482-8754	34950-1611	34950-1621	34951-1631	34951-1641		
VOID KEY	33482-8615																												
KEY A, BLACK	33482-8616	A-BLK	GCP	PLR	M-B								8	9								SALEABLE		34950-1611	34950-1621	34951-1631	34951-1641		
KEY B, LIGHT GRAY	33482-8617	B-LG	GCP	PLR	M-B								8	9								SALEABLE		34950-1611	34950-1621	34951-1631	34951-1641		
KEY C, BROWN	33482-8618	C-BR	GCP	PLR	M-B								8	9								NOT RECOMMENDED	SEE 33482-8755	34950-1611	34950-1621	34951-1631	34951-1641		
KEY D, GREEN	33482-8619	D-GR	GCP	PLR	M-B								8	9								NOT RECOMMENDED	SEE 33482-8756	34950-1611	34950-1621	34951-1631	34951-1641		
VOID KEY	33482-8620																												
KEY A, BLACK	33482-8621	A-BLK	GCP	PLR	M-B			1	2	3	4	5	6	7	8	9	10	11	12	13	14	15	16	SALEABLE		34950-1611	34950-1621	34951-1631	34951-1641
KEY B, LIGHT GRAY	33482-8622	B-LG	GCP	PLR	M-B			1	2	3	4	5	6	7	8	9	10	11	12	13	14	15	16	SALEABLE		34950-1611	34950-1621	34951-1631	34951-1641
KEY C, BROWN	33482-8623	C-BR	GCP	PLR	M-B			1	2	3	4	5	6	7	8	9	10	11	12	13	14	15	16	NOT RECOMMENDED	SEE 33482-8727	34950-1611	34950-1621	34951-1631	34951-1641
KEY D, GREEN	33482-8624	D-GR	GCP	PLR	M-B			1	2	3	4	5	6	7	8	9	10	11	12	13	14	15	16	NOT RECOMMENDED	SEE 33482-8728	34950-1611	34950-1621	34951-1631	34951-1641
VOID KEY	33482-8625																												
KEY A, BLACK	33482-8626	A-BLK	GCP	PLR	M-B									8								SALEABLE		34950-1611	34950-1621	34951-1631	34951-1641		
KEY A, BLACK	33482-8627	A-BLK	GCP	PLR	M-B									8	9							SALEABLE		34950-1611	34950-1621	34951-1631	34951-1641		
KEY B, LIGHT GRAY	33482-8628	B-LG	GCP	PLR	M-B									8								SALEABLE		34950-1611	34950-1621	34951-1631	34951-1641		
KEY C, BROWN	33482-8629	C-BR	GCP	PLR	M-B									8	9							NOT RECOMMENDED	SEE 33482-8757	34950-1611	34950-1621	34951-1631	34951-1641		
KEY D, GREEN	33482-8630	D-GR	GCP	PLR	M-B									8	9							NOT RECOMMENDED	SEE 33482-8758	34950-1611	34950-1621	34951-1631	34951-1641		
VOID KEY	33482-8631																												
KEY A, BLACK	33482-8632	A-BLK	GCP	PLR	M-B									7	8							SALEABLE		34950-1611	34950-1621	34951-1631	34951-1641		
KEY A, BLACK	33482-8633	A-BLK	GCP	PLR	M-B									7	8							SALEABLE		34950-1611	34950-1621	34951-1631	34951-1641		
KEY A, BLACK	33482-8634	A-BLK	GCP	PLR	M-B									7	8							SALEABLE		34950-1611	34950-1621	34951-1631	34951-1641		
KEY B, LIGHT GRAY	33482-8635	B-LG	GCP	PLR	M-B									7	8							SALEABLE		34950-1611	34950-1621	34951-1631	34951-1641		
KEY A, BLACK	33482-8636	A-BLK	GCP	PLR	M-B									10	11							SALEABLE		34950-1611	34950-1621	34951-1631	34951-1641		
KEY A, BLACK	33482-8637	A-BLK	GCP	PLR	M-B									10	11							SALEABLE		34950-1611	34950-1621	34951-1631	34951-1641		
KEY A, BLACK	33482-8638	A-BLK	GCP	PLR	M-B									8	9	10	11	12				SALEABLE		34950-1611	34950-1621	34951-1631	34951-1641		
KEY A, BLACK	33482-8639	A-BLK	GCP	PLR	M-B																	SALEABLE		34950-1611	34950-1621	34951-1631	34951-1641		
KEY A, BLACK	33482-8640	A-BLK	GCP	PLR	M-B								5									SALEABLE		34950-1611	34950-1621	34951-1631	34951-1641		
KEY A, BLACK	33482-8641	A-BLK	GCP	PLR	M-B								5									SALEABLE		34950-1611	34950-1621	34951-1631	34951-1641		
KEY B, LIGHT GRAY	33482-8642	B-LG	GCP	PLR	M-B									4								SALEABLE		34950-1611	34950-1621	34951-1631	34951-1641		
KEY A, BLACK	33482-8643	A-BLK	GCP	PLR	M-B																	SALEABLE		34950-1611	34950-1621	34951-1631	34951-1641		
KEY B, LIGHT GRAY	33482-8644	B-LG	GCP	PLR	M-B									4								SALEABLE		34950-1611	34950-1621	34951-1631	34951-1641		
KEY B, LIGHT GRAY	33482-8645	B-LG	GCP	PLR	M-B									4								SALEABLE		34950-1611	34950-1621	34951-1631	34951-1641		
KEY A, BLACK	33482-8646	A-BLK	GCP	PLR	M-B									6	7	8						SALEABLE		34950-1611	34950-1621	34951-1631	34951-1641		
KEY A, BLACK	33482-8647	A-BLK	GCP	PLR	M-B																	SALEABLE		34950-1611	34950-1621	34951-1631	34951-1641		
KEY A, BLACK	33482-8648	A-BLK	GCP	PLR	M-B																	SALEABLE		34950-1611	34950-1621	34951-1631	34951-1641		
KEY B, LIGHT GRAY	33482-8649	B-LG	GCP	PLR	M-B																	SALEABLE		34950-1611	34950-1621	34951-1631	34951-1641		
KEY B, LIGHT GRAY	33482-8650	B-LG	GCP	PLR	M-B																	SALEABLE		34950-1611	34950-1621	34951-1631	34951-1641		
KEY B, LIGHT GRAY	33482-8651	B-LG	GCP	PLR	M-B																	SALEABLE		34950-1611	34950-1621	34951-1631	34951-1641		
KEY B, LIGHT GRAY	33482-8652	B-LG	GCP	PLR	M-B									6	7	8						SALEABLE		34950-1611	34950-1621	349			

MX150 2X8 BLADE SEALED ASSY MAT SEAL  
BOM AND PIN OUT SHEET

ASSEMBLY DESCRIPTION	ASSEMBLY PART NUMBER	COMPONENT				BLOCKED TERMINALS																STATUS	COMMENTS	OPTIONAL ATTACHMENTS SOLD SEPARATELY			
		THE PRESENCE OF AN ABBREVIATION INDICATES THE PRESENCE OF THAT COMPONENT.				CAVITY WITH A NUMBER INDICATES BLOCKED TERMINAL POSITION CAVITY WITHOUT A NUMBER INDICATES OPEN TERMINAL POSITION																		BACKSHELL WITH RIBS	BACKSHELL WITHOUT RIBS	90° ADAPTOR WITH RIBS	90° ADAPTOR WITHOUT RIBS
		HOUSING KEY/COLOR	GROMMET CAP	PLR	MAT SEAL	1	2	3	4	5	6	7	8	9	10	11	12	13	14	15	16						
KEY A, BLACK	33482-8694	A-BLK	GCP	PLR	M-B		2			5	6	7	8	9	10		12		14	15	16	SALEABLE		34950-1611	34950-1621	34951-1631	34951-1641
KEY A, BLACK	33482-8695	A-BLK	GCP	PLR	M-B			2		5	6	7	8		10		12		14	15		SALEABLE		34950-1611	34950-1621	34951-1631	34951-1641
KEY A, BLACK	33482-8700	A-BLK	GCP	PLR	M-B	1	2	3	4	5	6				10	11	12	13	14	15	16	SALEABLE		34950-1611	34950-1621	34951-1631	34951-1641
KEY A, BLACK	33482-8701	A-BLK	GCP	PLR	M-B	1	2	3	4	5	6					11	12	13	14	15	16	SALEABLE		34950-1611	34950-1621	34951-1631	34951-1641
KEY A, BLACK	33482-8702	A-BLK	GCP	PLR	M-B							7	8	9	10	11	12	13	14	15	16	SALEABLE		34950-1611	34950-1621	34951-1631	34951-1641
KEY A, BLACK	33482-8703	A-BLK	GCP	PLR	M-B								8	9	10	11	12	13	14	15	16	SALEABLE		34950-1611	34950-1621	34951-1631	34951-1641
KEY A, BLACK	33482-8704	A-BLK	GCP	PLR	M-B	1	2	3	4	5	6							14	15	16		SALEABLE		34950-1611	34950-1621	34951-1631	34951-1641
KEY A, BLACK	33482-8705	A-BLK	GCP	PLR	M-B										10	11	12	13	14	15	16	SALEABLE		34950-1611	34950-1621	34951-1631	34951-1641
KEY A, BLACK	33482-8706	A-BLK	GCP	PLR	M-B											11	12	13	14	15	16	SALEABLE		34950-1611	34950-1621	34951-1631	34951-1641
KEY A, BLACK	33482-8707	A-BLK	GCP	PLR	M-B							7	8	9	10							SALEABLE		34950-1611	34950-1621	34951-1631	34951-1641
KEY A, BLACK	33482-8708	A-BLK	GCP	PLR	M-B												12	13	14	15	16	SALEABLE		34950-1611	34950-1621	34951-1631	34951-1641
KEY A, BLACK	33482-8709	A-BLK	GCP	PLR	M-B																	SALEABLE		34950-1611	34950-1621	34951-1631	34951-1641
KEY A, BLACK	33482-8710	A-BLK	GCP	PLR	M-B	1	2	3	4	5	6	7	8	9	10							SALEABLE		34950-1611	34950-1621	34951-1631	34951-1641
KEY B, LIGHT GRAY	33482-8711	B-LG	GCP	PLR	M-B	1	2	3	4	5	6	7	8	9	10							SALEABLE		34950-1611	34950-1621	34951-1631	34951-1641
KEY B, LIGHT GRAY	33482-8712	B-LG	GCP	PLR	M-B	1	2	3	4	5	6	7	8	9	10							SALEABLE		34950-1611	34950-1621	34951-1631	34951-1641
KEY A, BLACK	33482-8713	A-BLK	GCP	PLR	M-B			2	3	4	5	6	7	8	9	10						SALEABLE		34950-1611	34950-1621	34951-1631	34951-1641
KEY A, BLACK	33482-8714	A-BLK	GCP	PLR	M-B			2	3	4	5	6	7	8	9	10						SALEABLE		34950-1611	34950-1621	34951-1631	34951-1641
KEY A, BLACK	33482-8715	A-BLK	GCP	PLR	M-B	1	2	3	4	5	6	7	8	9	10							SALEABLE		34950-1611	34950-1621	34951-1631	34951-1641
KEY A, BLACK	33482-8716	A-BLK	GCP	PLR	M-B	1	2	3	4	5	6	7	8	9	10	11	12					SALEABLE		34950-1611	34950-1621	34951-1631	34951-1641
KEY A, BLACK	33482-8717	A-BLK	GCP	PLR	M-B	1	2	3	4	5	6	7	8	9	10			13	14	15	16	SALEABLE		34950-1611	34950-1621	34951-1631	34951-1641
KEY A, BLACK	33482-8718	A-BLK	GCP	PLR	M-B													13	14	15	16	SALEABLE		34950-1611	34950-1621	34951-1631	34951-1641
KEY A, BLACK	33482-8719	A-BLK	GCP	PLR	M-B	1				5			7	8	9	10	11					SALEABLE		34950-1611	34950-1621	34951-1631	34951-1641
KEY A, BLACK	33482-8720	A-BLK	GCP	PLR	M-B																	SALEABLE		34950-1611	34950-1621	34951-1631	34951-1641
KEY B, LIGHT GRAY	33482-8721	B-LG	GCP	PLR	M-B				4		6	7	8			11	12	13	14			SALEABLE		34950-1611	34950-1621	34951-1631	34951-1641
KEY B, LIGHT GRAY	33482-8722	B-LG	GCP	PLR	M-B	1	2	3	4	5	6	7	8	9	10	11	12	13	14	15		SALEABLE		34950-1611	34950-1621	34951-1631	34951-1641
KEY A, BLACK	33482-8723	A-BLK	GCP	PLR	M-B	1	2	3	4	5	6			9				13	14	15	16	SALEABLE		34950-1611	34950-1621	34951-1631	34951-1641
KEY A, BLACK	33482-8724	A-BLK	GCP	PLR	M-B																	SALEABLE		34950-1611	34950-1621	34951-1631	34951-1641
KEY C, DARK GRAY	33482-8725	C-DG	GCP	PLR	M-B																	SALEABLE		34950-1611	34950-1621	34951-1631	34951-1641
KEY D, STONE GRAY	33482-8726	D-SG	GCP	PLR	M-B																	SALEABLE		34950-1611	34950-1621	34951-1631	34951-1641
KEY C, DARK GRAY	33482-8727	C-DG	GCP	PLR	M-B	1	2	3	4	5	6	7	8	9	10	11	12	13	14	15	16	SALEABLE		34950-1611	34950-1621	34951-1631	34951-1641
KEY D, STONE GRAY	33482-8728	D-SG	GCP	PLR	M-B	1	2	3	4	5	6	7	8	9	10	11	12	13	14	15	16	SALEABLE		34950-1611	34950-1621	34951-1631	34951-1641
KEY A, BLACK	33482-8729	A-BLK	GCP	PLR	M-B								8	9								SALEABLE		34950-1611	34950-1621	34951-1631	34951-1641
KEY A, BLACK	33482-8730	A-BLK	GCP	PLR	M-B				4	5	6	7	8	9	10	11	12	13	14	15	16	SALEABLE		34950-1611	34950-1621	34951-1631	34951-1641
KEY A, BLACK	33482-8731	A-BLK	GCP	PLR	M-B																	SALEABLE		34950-1611	34950-1621	34951-1631	34951-1641
KEY B, LIGHT GRAY	33482-8732	B-LG	GCP	PLR	M-B						6	7	8			11						SALEABLE		34950-1611	34950-1621	34951-1631	34951-1641
KEY B, LIGHT GRAY	33482-8733	B-LG	GCP	PLR	M-B	1	2	3	4	5	6	7	8	9	10	11	12	13	14	15	16	SALEABLE		34950-1611	34950-1621	34951-1631	34951-1641
KEY B, LIGHT GRAY	33482-8734	B-LG	GCP	PLR	M-B						6			9								SALEABLE		34950-1611	34950-1621	34951-1631	34951-1641
KEY A, BLACK	33482-8735	A-BLK	GCP	PLR	M-B						6				10	11	12	13	14			SALEABLE		34950-1611	34950-1621	34951-1631	34951-1641
KEY A, BLACK	33482-8736	A-BLK	GCP	PLR	M-B	1	2	3	4	5	6						13	14				SALEABLE		34950-1611	34950-1621	34951-1631	34951-1641
KEY A, BLACK	33482-8737	A-BLK	GCP	PLR	M-B	1	2	3	4	5	6											SALEABLE		34950-1611	34950-1621	34951-1631	34951-1641
KEY A, BLACK	33482-8738	A-BLK	GCP	PLR	M-B	1	2			5	6	7	8									SALEABLE		34950-1611	34950-1621	34951-1631	34951-1641
KEY A, BLACK	33482-8739	A-BLK	GCP	PLR	M-B				3	4												SALEABLE		34950-1611	34950-1621	34951-1631	34951-1641
KEY A, BLACK	33482-8740	A-BLK	GCP	PLR	M-B									9								SALEABLE		34950-1611	34950-1621	34951-1631	34951-1641
KEY A, BLACK	33482-8741	A-BLK	GCP	PLR	M-B									9	10	11	12	13	14	15	16	SALEABLE		34950-1611	34950-1621	34951-1631	34951-1641
KEY A, BLACK	33482-8742	A-BLK	GCP	PLR	M-B																	SALEABLE		34950-1611	34950-1621	34951-1631	34951-1641
KEY A, BLACK	33482-8743	A-BLK	GCP	PLR	M-B																	SALEABLE		34950-1611	34950-1621	34951-1631	34951-1641
KEY A, BLACK	33482-8744	A-BLK	GCP	PLR	M-B								7		9							SALEABLE		34950-1611	34950-1621	34951-1631	34951-1641
KEY A, BLACK	33482-8745	A-BLK	GCP	PLR	M-B																	SALEABLE		34950-1611	34950-1621	34951-1631	34951-1641
KEY A, BLACK	33482-8746	A-BLK	GCP	PLR	M-B																	SALEABLE		34950-1611	34950-1621	34951-1631	34951-1641
KEY A, BLACK	33482-8747	A-BLK	GCP	PLR	M-B																	SALEABLE		34950-1611	34950-1621	34951-1631	34951-1641
KEY A, BLACK	33482-8748	A-BLK	GCP	PLR	M-B																	SALEABLE		34950-1611	34950-1621	34951-1631	34951-1641
KEY A, BLACK	33482-8749	A-BLK	GCP	PLR	M-B	1	2															SALEABLE		34950-1611	34950-1621	34951-1631	34951-1641
KEY A, BLACK	33482-8750	A-BLK	GCP	PLR	M-B	1	2															SALEABLE		34950-1611	34950-1621	34951-1631	34951-1641
KEY C, DARK GRAY	33482-8751	C-DG	GCP	PLR	M-B								8									SALEABLE		34950-1611	34950-1621	34951-1631	34951-1641
KEY D, STONE GRAY	33482-8752	D-SG	GCP	PLR	M-B								8									SALEABLE		34950-1611	34950-1621	34951-1631	34951-1641
KEY C, DARK GRAY	33482-8753	C-DG	GCP	PLR	M-B								8	9								SALEABLE		34950-1611	34950-1621	34951-1631	34951-1641
KEY D, STONE GRAY	33482-8754	D-SG	GCP	PLR	M-B								8	9								SALEABLE		34950-1611	34950-1621	34951-1631	34951-1641
KEY C, DARK GRAY	33482-8755	C-DG	GCP	PLR	M-B	1							8	9													



MX150 2X8 BLADE SEALED ASSY MAT SEAL  
BOM AND PIN OUT SHEET

ASSEMBLY DESCRIPTION	ASSEMBLY PART NUMBER	COMPONENT				BLOCKED TERMINALS																STATUS	COMMENTS	OPTIONAL ATTACHMENTS SOLD SEPERATELY						
		THE PRESENCE OF AN ABBREVIATION INDICATES THE PRESENCE OF THAT COMPONENT.				CAVITY WITH A NUMBER INDICATES BLOCKED TERMINAL POSITION CAVITY WITHOUT A NUMBER INDICATES OPEN TERMINAL POSITION																		BACKSHELL WITH RIBS	BACKSHELL WITHOUT RIBS	90° ADAPTOR WITH RIBS	90° ADAPTOR WITHOUT RIBS			
		HOUSING KEY/COLOR	GROMMET CAP	PLR	MAT SEAL	1	2	3	4	5	6	7	8	9	10	11	12	13	14	15	16									
KEY A, BLACK W/O PLR	34955-1601	A-BLK	GCP		M-R																			PLANNED OBSOLESCENCE	SEE 34955-8601					
KEY A, BLACK W/O PLR	34955-8601	A-BLK	GCP		M-B																			SALEABLE						



MX150 2X10 BLADE SEALED ASSY MAT SEAL  
BOM AND PIN OUT SHEET

ASSEMBLY DESCRIPTION	ASSEMBLY PART NUMBER	COMPONENT				BLOCKED TERMINALS																				STATUS	COMMENTS	OPTIONAL ATTACHMENTS SOLD SEPERATELY				
		THE PRESENCE OF AN ABBREVIATION INDICATES THE PRESENCE OF THAT COMPONENT.				CAVITY WITH A NUMBER INDICATES BLOCKED TERMINAL POSITION CAVITY WITHOUT A NUMBER INDICATES OPEN TERMINAL POSITION																						BACKSHELL WITH RIBS	BACKSHELL WITHOUT RIBS	90° ADAPTOR WITH RIBS	90° ADAPTOR WITHOUT RIBS	
		HOUSING KEY/COLOR	GROMMET CAP	PLR	MAT SEAL	1	2	3	4	5	6	7	8	9	10	11	12	13	14	15	16	17	18	19	20							
KEY A, BLACK	33482-2087	A-BLK	GCP	PLR	M-R	1																					OBSOLETE	SEE 33482-2187	34950-2011	34950-2021	34951-1631	34951-1641
KEY A, BLACK	33482-2088	A-BLK	GCP	PLR	M-R	1																					OBSOLETE	SEE 33482-2188	34950-2011	34950-2021	34951-1631	34951-1641
KEY A, BLACK	33482-2089	A-BLK	GCP	PLR	M-R	1	2	3	4	5	6	7	8	9													OBSOLETE	SEE 33482-2189	34950-2011	34950-2021	34951-1631	34951-1641
KEY A, BLACK	33482-2090	A-BLK	GCP	PLR	M-R	1	2	3	4	5	6	7	8	9	10	11	12	13	14	15	16						OBSOLETE	SEE 33482-2190	34950-2011	34950-2021	34951-1631	34951-1641
KEY A, BLACK	33482-2101	A-BLK	GCO	PLR	M-B																						SALEABLE		34950-2011	34950-2021	34951-1631	34951-1641
KEY B, LIGHT GRAY	33482-2102	B-LG	GCO	PLR	M-B																						SALEABLE		34950-2011	34950-2021	34951-1631	34951-1641
KEY C, BROWN	33482-2103	C-BR	GCO	PLR	M-B																						NOT RECOMMENDED	SEE 33482-2154	34950-2011	34950-2021	34951-1631	34951-1641
KEY D, GREEN	33482-2104	D-GR	GCO	PLR	M-B																						NOT RECOMMENDED	SEE 33482-2155	34950-2011	34950-2021	34951-1631	34951-1641
KEY A, BLACK	33482-2106	A-BLK	GCP	PLR	M-B																						SALEABLE		34950-2011	34950-2021	34951-1631	34951-1641
KEY A, BLACK	33482-2107	A-BLK	GCP	PLR	M-B																						SALEABLE		34950-2011	34950-2021	34951-1631	34951-1641
KEY A, BLACK	33482-2108	A-BLK	GCP	PLR	M-B																						SALEABLE		34950-2011	34950-2021	34951-1631	34951-1641
KEY A, BLACK	33482-2109	A-BLK	GCP	PLR	M-B																						SALEABLE		34950-2011	34950-2021	34951-1631	34951-1641
KEY A, BLACK	33482-2110	A-BLK	GCP	PLR	M-B																						SALEABLE		34950-2011	34950-2021	34951-1631	34951-1641
KEY A, BLACK	33482-2111	A-BLK	GCP	PLR	M-B	1	2																				SALEABLE		34950-2011	34950-2021	34951-1631	34951-1641
KEY A, BLACK	33482-2112	A-BLK	GCP	PLR	M-B	1	2																				SALEABLE		34950-2011	34950-2021	34951-1631	34951-1641
KEY A, BLACK	33482-2113	A-BLK	GCP	PLR	M-B	1	2																				SALEABLE		34950-2011	34950-2021	34951-1631	34951-1641
KEY A, BLACK	33482-2114	A-BLK	GCP	PLR	M-B																						SALEABLE		34950-2011	34950-2021	34951-1631	34951-1641
KEY A, BLACK	33482-2115	A-BLK	GCP	PLR	M-B																						SALEABLE		34950-2011	34950-2021	34951-1631	34951-1641
KEY A, BLACK	33482-2116	A-BLK	GCP	PLR	M-B																						SALEABLE		34950-2011	34950-2021	34951-1631	34951-1641
KEY A, BLACK	33482-2117	A-BLK	GCP	PLR	M-B																						SALEABLE		34950-2011	34950-2021	34951-1631	34951-1641
KEY A, BLACK	33482-2118	A-BLK	GCP	PLR	M-B																						SALEABLE		34950-2011	34950-2021	34951-1631	34951-1641
KEY A, BLACK	33482-2119	A-BLK	GCP	PLR	M-B																						SALEABLE		34950-2011	34950-2021	34951-1631	34951-1641
KEY A, BLACK	33482-2120	A-BLK	GCP	PLR	M-B																						SALEABLE		34950-2011	34950-2021	34951-1631	34951-1641
KEY A, BLACK	33482-2121	A-BLK	GCP	PLR	M-B	1	2	3	4	5																	SALEABLE		34950-2011	34950-2021	34951-1631	34951-1641
KEY A, BLACK	33482-2122	A-BLK	GCP	PLR	M-B																						SALEABLE		34950-2011	34950-2021	34951-1631	34951-1641
KEY A, BLACK	33482-2123	A-BLK	GCP	PLR	M-B																						SALEABLE		34950-2011	34950-2021	34951-1631	34951-1641
KEY A, BLACK	33482-2124	A-BLK	GCP	PLR	M-B																						SALEABLE		34950-2011	34950-2021	34951-1631	34951-1641
KEY A, BLACK	33482-2125	A-BLK	GCP	PLR	M-B																						SALEABLE		34950-2011	34950-2021	34951-1631	34951-1641
KEY A, BLACK	33482-2126	A-BLK	GCP	PLR	M-B																						SALEABLE		34950-2011	34950-2021	34951-1631	34951-1641
KEY A, BLACK	33482-2127	A-BLK	GCP	PLR	M-B																						SALEABLE		34950-2011	34950-2021	34951-1631	34951-1641
KEY A, BLACK	33482-2128	A-BLK	GCP	PLR	M-B	1																					SALEABLE		34950-2011	34950-2021	34951-1631	34951-1641
KEY A, BLACK	33482-2129	A-BLK	GCP	PLR	M-B																						SALEABLE		34950-2011	34950-2021	34951-1631	34951-1641
KEY A, BLACK	33482-2130	A-BLK	GCP	PLR	M-B																						SALEABLE		34950-2011	34950-2021	34951-1631	34951-1641
KEY A, BLACK	33482-2131	A-BLK	GCP	PLR	M-B																						SALEABLE		34950-2011	34950-2021	34951-1631	34951-1641
KEY A, BLACK	33482-2132	A-BLK	GCP	PLR	M-B																						SALEABLE		34950-2011	34950-2021	34951-1631	34951-1641
KEY A, BLACK	33482-2133	A-BLK	GCP	PLR	M-B																						SALEABLE		34950-2011	34950-2021	34951-1631	34951-1641
KEY A, BLACK	33482-2134	A-BLK	GCP	PLR	M-B																						SALEABLE		34950-2011	34950-2021	34951-1631	34951-1641
KEY A, BLACK	33482-2135	A-BLK	GCP	PLR	M-B																						SALEABLE		34950-2011	34950-2021	34951-1631	34951-1641
KEY A, BLACK	33482-2136	A-BLK	GCP	PLR	M-B																						SALEABLE		34950-2011	34950-2021	34951-1631	34951-1641
KEY A, BLACK	33482-2137	A-BLK	GCP	PLR	M-B																						SALEABLE		34950-2011	34950-2021	34951-1631	34951-1641
KEY A, BLACK	33482-2138	A-BLK	GCP	PLR	M-B	1	2	3	4	5	6	7	8	9	10												SALEABLE		34950-2011	34950-2021	34951-1631	34951-1641
KEY A, BLACK	33482-2139	A-BLK	GCP	PLR	M-B	1	2	3	4	5	6	7	8	9	10												SALEABLE		34950-2011	34950-2021	34951-1631	34951-1641
KEY A, BLACK	33482-2140	A-BLK	GCP	PLR	M-B																						SALEABLE		34950-2011	34950-2021	34951-1631	34951-1641
KEY A, YELLOW	33482-2141	A-YL	GCO	PLR	M-B																						SALEABLE		34950-2011	34950-2021	34951-1631	34951-1641
KEY A, BLACK	33482-2142	A-BLK	GCP	PLR	M-B																						SALEABLE		34950-2011	34950-2021	34951-1631	34951-1641
KEY A, BLACK	33482-2143	A-BLK	GCP	PLR	M-B																						SALEABLE		34950-2011	34950-2021	34951-1631	34951-1641
KEY A, BLACK	33482-2144	A-BLK	GCP	PLR	M-B																						SALEABLE		34950-2011	34950-2021	34951-1631	34951-1641
KEY A, BLACK	33482-2145	A-BLK	GCP	PLR	M-B																						SALEABLE		34950-2011	34950-2021	34951-1631	34951-1641
KEY A, BLACK	33482-2146	A-BLK	GCP	PLR	M-B	1																					SALEABLE		34950-2011	34950-2021	34951-1631	34951-1641
KEY A, BLACK	33482-2147	A-BLK	GCP	PLR	M-B																						SALEABLE		34950-2011	34950-2021	34951-1631	34951-1641
KEY A, BLACK	33482-2148	A-BLK	GCP	PLR	M-B	1	2	3	4	5	6	7	8	9													SALEABLE		34950-2011	34950-2021	34951-1631	34951-1641
KEY A, BLACK	33482-2149	A-BLK	GCP	PLR	M-B																						SALEABLE		34950-2011	34950-2021	34951-1631	34951-1641
KEY A, BLACK	33482-2150	A-BLK	GCP	PLR	M-B	1	2	3	4	5	6																SALEABLE		34950-2011	34950-2021	34951-1631	34951-1641
KEY A, BLACK	33482-2151	A-BLK	GCP	PLR	M-B																						SALEABLE		34950-2011	34950-2021	34951-1631	34951-1641
KEY A, BLACK	33482-2152	A-BLK	GCP	PLR	M-B	1	2	3	4	5	6	7	8	9	10	11	12	13	14	15	16	17	18	19	20							

MX150 2X10 BLADE SEALED ASSY MAT SEAL  
BOM AND PIN OUT SHEET

ASSEMBLY DESCRIPTION	ASSEMBLY PART NUMBER	COMPONENT					BLOCKED TERMINALS																				STATUS	COMMENTS	OPTIONAL ATTACHMENTS SOLD SEPERATELY									
		THE PRESENCE OF AN ABBREVIATION INDICATES THE PRESENCE OF THAT COMPONENT.					CAVITY WITH A NUMBER INDICATES BLOCKED TERMINAL POSITION CAVITY WITHOUT A NUMBER INDICATES OPEN TERMINAL POSITION																						BACKSHELL WITH RIBS	BACKSHELL WITHOUT RIBS	90° ADAPTOR WITH RIBS	90° ADAPTOR WITHOUT RIBS						
		HOUSING KEY/COLOR	GROMMET CAP	PLR	MAT SEAL		1	2	3	4	5	6	7	8	9	10	11	12	13	14	15	16	17	18	19	20												
KEY B, LIGHT GRAY	33482-2209	B-LG	GCP	PLR	M-B				4	5	6	7			10									16	17	18		20	SALEABLE					34950-2011	34950-2021	34951-1631	34951-1641	
KEY A, BLACK	33482-2210	A-BLK	GCP	PLR	M-B	1								9	10	11	12													SALEABLE					34950-2011	34950-2021	34951-1631	34951-1641
KEY A, BLACK	33482-2211	A-BLK	GCP	PLR	M-B	1	2									10	11	12												SALEABLE					34950-2011	34950-2021	34951-1631	34951-1641
KEY A, BLACK	33482-2213	A-BLK	GCP	PLR	M-B																									SALEABLE					34950-2011	34950-2021	34951-1631	34951-1641
KEY A, BLACK	33482-2214	A-BLK	GCP	PLR	M-B																									SALEABLE					34950-2011	34950-2021	34951-1631	34951-1641
KEY A, BLACK	33482-2215	A-BLK	GCP	PLR	M-B		2																							SALEABLE					34950-2011	34950-2021	34951-1631	34951-1641
KEY A, BLACK	33482-2216	A-BLK	GCP	PLR	M-B																									SALEABLE					34950-2011	34950-2021	34951-1631	34951-1641
KEY A, BLACK	33482-2217	A-BLK	GCP	PLR	M-B																									SALEABLE					34950-2011	34950-2021	34951-1631	34951-1641
KEY A, BLACK	33482-2218	A-BLK	GCP	PLR	M-B	1	2	3	4	5	6																			SALEABLE					34950-2011	34950-2021	34951-1631	34951-1641
KEY A, BLACK	33482-2219	A-BLK	GCP	PLR	M-B	1	2	3	4	5	6																			SALEABLE					34950-2011	34950-2021	34951-1631	34951-1641
KEY A, BLACK	33482-2220	A-BLK	GCP	PLR	M-B	1	2	3	4	5	6	7	8	9	10	11	12	13	14											SALEABLE					34950-2011	34950-2021	34951-1631	34951-1641
KEY A, BLACK	33482-2221	A-BLK	GCP	PLR	M-B	1	2	3	4	5	6	7	8	9	10	11	12	13	14	15	16	17	18	19	20				SALEABLE					34950-2011	34950-2021	34951-1631	34951-1641	
KEY A, BLACK	33482-2222	A-BLK	GCP	PLR	M-B	1	2	3	4	5	6	7	8	9	10	11	12	13	14	15	16	17	18	19	20				SALEABLE					34950-2011	34950-2021	34951-1631	34951-1641	
KEY A, BLACK	33482-2223	A-BLK	GCP	PLR	M-B																									SALEABLE					34950-2011	34950-2021	34951-1631	34951-1641
KEY A, BLACK	33482-2224	A-BLK	GCP	PLR	M-B	1	2	3	4	5	6	7	8	9	10	11	12	13	14	15	16	17	18	19	20				SALEABLE					34950-2011	34950-2021	34951-1631	34951-1641	
KEY A, BLACK	33482-2225	A-BLK	GCP	PLR	M-B	1	2	3	4	5	6	7	8	9	10	11	12	13	14	15	16	17	18	19	20				SALEABLE					34950-2011	34950-2021	34951-1631	34951-1641	
KEY B, LIGHT GRAY	33482-2226	B-LG	GCP	PLR	M-B																									SALEABLE					34950-2011	34950-2021	34951-1631	34951-1641
KEY A, BLACK	33482-2227	A-BLK	GCP	PLR	M-B																									SALEABLE					34950-2011	34950-2021	34951-1631	34951-1641
KEY A, BLACK	33482-2228	A-BLK	GCP	PLR	M-B																									SALEABLE					34950-2011	34950-2021	34951-1631	34951-1641
KEY A, BLACK	33482-2229	A-BLK	GCP	PLR	M-B																									SALEABLE					34950-2011	34950-2021	34951-1631	34951-1641
KEY A, BLACK	33482-2230	A-BLK	GCP	PLR	M-B																									SALEABLE					34950-2011	34950-2021	34951-1631	34951-1641
KEY A, BLACK	33482-2231	A-BLK	GCP	PLR	M-B	1	2	3	4	5	6	7	8	9	10	11	12	13	14											SALEABLE					34950-2011	34950-2021	34951-1631	34951-1641
KEY A, BLACK	33482-2232	A-BLK	GCP	PLR	M-B	1	2	3	4	5	6	7	8	9	10	11	12	13	14											SALEABLE					34950-2011	34950-2021	34951-1631	34951-1641
KEY B, LIGHT GRAY	33482-2233	B-LG	GCP	PLR	M-B	1	2	3	4	5	6	7	8	9	10	11	12	13												SALEABLE					34950-2011	34950-2021	34951-1631	34951-1641
KEY B, LIGHT GRAY	33482-2234	B-LG	GCP	PLR	M-B																									SALEABLE					34950-2011	34950-2021	34951-1631	34951-1641
KEY B, LIGHT GRAY	33482-2235	B-LG	GCP	PLR	M-B		2	3																						SALEABLE					34950-2011	34950-2021	34951-1631	34951-1641
KEY A, BLACK	33482-2236	A-BLK	GCP	PLR	M-B																									SALEABLE					34950-2011	34950-2021	34951-1631	34951-1641
KEY A, BLACK	33482-2237	A-BLK	GCP	PLR	M-B																									SALEABLE					34950-2011	34950-2021	34951-1631	34951-1641
KEY A, BLACK	33482-2238	A-BLK	GCP	PLR	M-B																									SALEABLE					34950-2011	34950-2021	34951-1631	34951-1641
KEY A, BLACK	33482-2239	A-BLK	GCP	PLR	M-B																									SALEABLE					34950-2011	34950-2021	34951-1631	34951-1641
KEY A, BLACK	33482-2240	A-BLK	GCP	PLR	M-B																									SALEABLE					34950-2011	34950-2021	34951-1631	34951-1641
KEY A, BLACK	33482-2241	A-BLK	GCP	PLR	M-B																									SALEABLE					34950-2011	34950-2021	34951-1631	34951-1641
KEY A, BLACK	33482-2242	A-BLK	GCP	PLR	M-B	1	2	3	4	5	6	7	8	9	10	11	12	13	14	15	16	17	18	19	20				SALEABLE					34950-2011	34950-2021	34951-1631	34951-1641	
KEY A, BLACK	33482-2243	A-BLK	GCP	PLR	M-B	1	2	3	4	5	6	7	8	9	10	11	12	13	14	15	16	17	18	19	20				SALEABLE					34950-2011	34950-2021	34951-1631	34951-1641	
KEY A, BLACK	33482-2244	A-BLK	GCP	PLR	M-B	1	2	3	4	5	6	7	8	9	10	11	12	13	14	15	16	17	18	19	20				SALEABLE					34950-2011	34950-2021	34951-1631	34951-1641	
KEY A, BLACK	33482-2245	A-BLK	GCP	PLR	M-B	1	2	3	4	5	6	7	8	9	10	11	12	13	14	15	16	17	18	19	20				SALEABLE					34950-2011	34950-2021	34951-1631	34951-1641	
KEY A, BLACK	33482-2246	A-BLK	GCP	PLR	M-B	1	2	3	4	5	6	7	8	9	10	11	12	13	14	15	16	17	18	19	20				SALEABLE					34950-2011	34950-2021	34951-1631	34951-1641	
KEY A, BLACK	33482-2247	A-BLK	GCP	PLR	M-B	1	2	3	4	5	6	7	8	9	10	11	12	13	14	15	16	17	18	19	20				SALEABLE					34950-2011	34950-2021	34951-1631	34951-1641	
KEY A, BLACK	33482-2248	A-BLK	GCP	PLR	M-B	1	2	3	4	5	6	7	8	9	10	11	12	13	14	15	16	17	18	19	20				SALEABLE					34950-2011	34950-2021	34951-1631	34951-1641	
KEY A, BLACK	33482-2249	A-BLK	GCP	PLR	M-B	1	2	3	4	5	6	7	8	9	10	11	12	13	14	15	16	17	18	19	20				SALEABLE					34950-2011	34950-2021	34951-1631	34951-1641	
KEY A, BLACK	33482-2250	A-BLK	GCP	PLR	M-B	1	2	3	4	5	6	7	8	9	10	11	12	13	14	15	16	17	18	19	20				SALEABLE					34950-2011	34950-2021	34951-1631	34951-1641	
KEY A, BLACK	33482-2251	A-BLK	GCP	PLR	M-B	1	2	3	4	5	6	7	8	9	10	11	12	13	14	15	16	17	18	19	20				SALEABLE					34950-2011	34950-2021	34951-1631	34951-1641	
KEY A, BLACK	33482-2252	A-BLK	GCP	PLR	M-B	1	2	3	4	5	6	7	8	9	10	11	12	13	14	15	16	17	18	19	20				SALEABLE					34950-2011	34950-2021	34951-1631	34951-1641	
KEY A, BLACK	33482-2253	A-BLK	GCP	PLR	M-B	1	2	3	4	5	6	7	8	9	10	11	12	13	14	15	16	17	18	19	20				SALEABLE					34950-2011	34950-2021	34951-1631	34951-1641	
KEY A, BLACK	33482-2254	A-BLK	GCP	PLR	M-B	1	2	3	4	5	6	7	8	9	10	11	12	13	14	15	16	17	18	19	20				SALEABLE					34950-2011	34950-2021	34951-1631	34951-1641	
KEY A, BLACK	33482-2255	A-BLK	GCP	PLR	M-B	1	2	3	4	5	6	7	8	9	10	11	12	13	14	15	16	17	18	19	20				SALEABLE					34950-2011				

MX150 2X10 BLADE SEALED ASSY MAT SEAL  
BOM AND PIN OUT SHEET

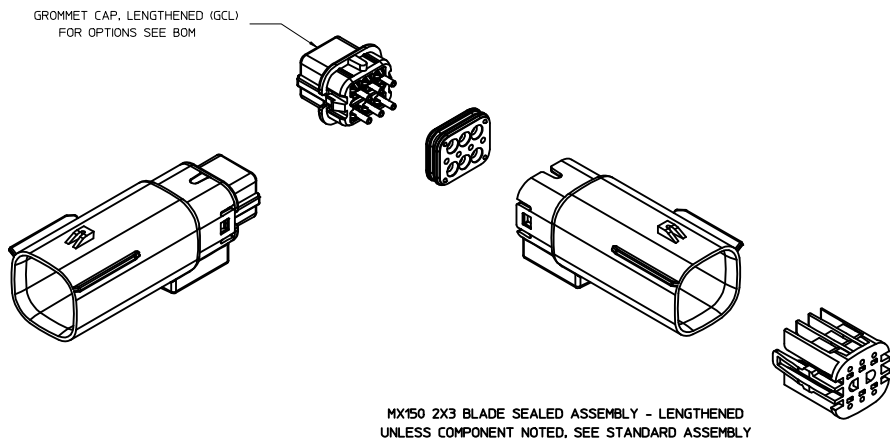
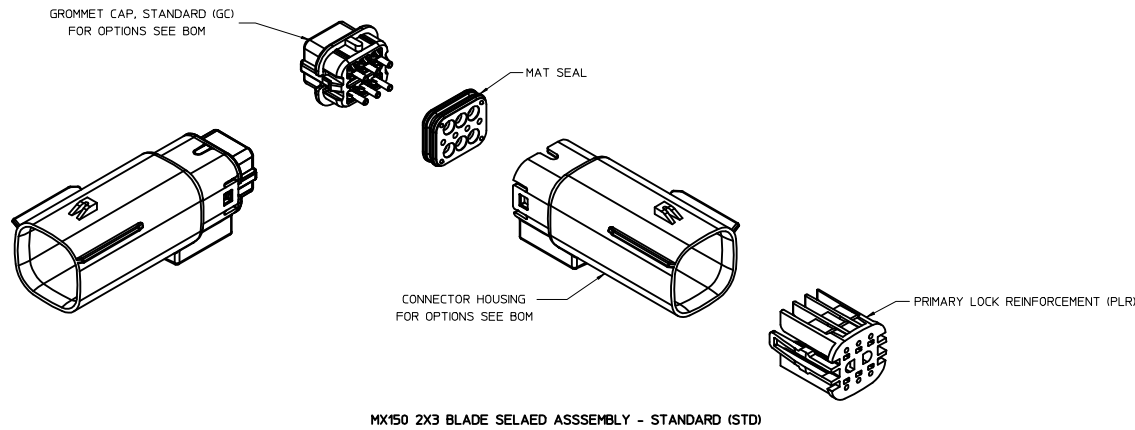
ASSEMBLY DESCRIPTION	ASSEMBLY PART NUMBER	COMPONENT				BLOCKED TERMINALS																				STATUS	COMMENTS	OPTIONAL ATTACHMENTS SOLD SEPERATELY					
		THE PRESENCE OF AN ABBREVIATION INDICATES THE PRESENCE OF THAT COMPONENT.				CAVITY WITH A NUMBER INDICATES BLOCKED TERMINAL POSITION CAVITY WITHOUT A NUMBER INDICATES OPEN TERMINAL POSITION																						BACKSHELL WITH RIBS	BACKSHELL WITHOUT RIBS	90° ADAPTOR WITH RIBS	90° ADAPTOR WITHOUT RIBS		
		HOUSING KEY/COLOR	GROMMET CAP	PLR	MAT SEAL	1	2	3	4	5	6	7	8	9	10	11	12	13	14	15	16	17	18	19	20								
KEY A, BLACK	33482-2321	A-BLK	GCP	PLR	M-B	1	2	3	4	5	6	7	8	9					13	14	15	16			19	20	SALEABLE		34950-2011	34950-2021	34951-1631	34951-1641	
KEY A, BLACK	33482-2322	A-BLK	GCP	PLR	M-B	1	2	3	4	5																	20	SALEABLE		34950-2011	34950-2021	34951-1631	34951-1641
KEY A, BLACK	33482-2323	A-BLK	GCP	PLR	M-B	1	2	3																			20	SALEABLE		34950-2011	34950-2021	34951-1631	34951-1641
KEY A, BLACK	33482-2324	A-BLK	GCP	PLR	M-B	1	2	3	4	5	6	7	8														20	SALEABLE		34950-2011	34950-2021	34951-1631	34951-1641
KEY B, LIGHT GRAY	33482-2325	B-LG	GCP	PLR	M-B																						20	SALEABLE		34950-2011	34950-2021	34951-1631	34951-1641
KEY A, BLACK	33482-2326	A-BLK	GCP	PLR	M-B	1	2				6	7	8	9	10	11	12	13									20	SALEABLE		34950-2011	34950-2021	34951-1631	34951-1641
KEY A, BLACK	33482-2327	A-BLK	GCP	PLR	M-B	1			4	5	6	7	8	9	10	11	12	13									20	SALEABLE		34950-2011	34950-2021	34951-1631	34951-1641
KEY A, BLACK	33482-2328	A-BLK	GCP	PLR	M-B							7	8	9	10	11		13									20	SALEABLE		34950-2011	34950-2021	34951-1631	34951-1641
KEY B, LIGHT GRAY	33482-2329	B-LG	GCP	PLR	M-B																						20	SALEABLE		34950-2011	34950-2021	34951-1631	34951-1641
KEY A, BLACK	33482-2330	A-BLK	GCP	PLR	M-B		2				5	6			9	10											20	SALEABLE		34950-2011	34950-2021	34951-1631	34951-1641
KEY A, BLACK	33482-2331	A-BLK	GCP	PLR	M-B		2				6	6			9	10											20	SALEABLE		34950-2011	34950-2021	34951-1631	34951-1641
KEY A, BLACK	33482-2332	A-BLK	GCP	PLR	M-B						6	6			9	10											20	SALEABLE		34950-2011	34950-2021	34951-1631	34951-1641
KEY B, LIGHT GRAY	33482-2333	B-LG	GCP	PLR	M-B																						20	OBSOLETE		34950-2011	34950-2021	34951-1631	34951-1641
KEY A, BLACK	33482-2334	A-BLK	GCP	PLR	M-B			3	4		6	7			9	10											20	SALEABLE		34950-2011	34950-2021	34951-1631	34951-1641
KEY A, BLACK	33482-2335	A-BLK	GCP	PLR	M-B			3	4			7															20	SALEABLE		34950-2011	34950-2021	34951-1631	34951-1641
KEY B, LIGHT GRAY	33482-2336	B-LG	GCP	PLR	M-B																						20	SALEABLE		34950-2011	34950-2021	34951-1631	34951-1641
KEY B, LIGHT GRAY	33482-2337	B-LG	GCP	PLR	M-B																						20	SALEABLE		34950-2011	34950-2021	34951-1631	34951-1641
KEY B, LIGHT GRAY	33482-2338	B-LG	GCP	PLR	M-B		2			4																	20	SALEABLE		34950-2011	34950-2021	34951-1631	34951-1641
KEY B, LIGHT GRAY	33482-2339	B-LG	GCP	PLR	M-B						5	6															20	SALEABLE		34950-2011	34950-2021	34951-1631	34951-1641
KEY A, BLACK	33482-2340	A-BLK	GCP	PLR	M-B		2	3			5	6															20	SALEABLE		34950-2011	34950-2021	34951-1631	34951-1641

SUB ASSEMBLY DESCRIPTION	SUB ASSEMBLY PART NUMBER	COMPONENT				BLOCKED TERMINALS																				STATUS	COMMENTS	OPTIONAL ATTACHMENTS SOLD SEPERATELY					
		THE PRESENCE OF AN ABBREVIATION INDICATES THE PRESENCE OF THAT COMPONENT.				CAVITY WITH A NUMBER INDICATES BLOCKED TERMINAL POSITION CAVITY WITHOUT A NUMBER INDICATES OPEN TERMINAL POSITION																						BACKSHELL WITH RIBS	BACKSHELL WITHOUT RIBS	90° ADAPTOR WITH RIBS	90° ADAPTOR WITHOUT RIBS		
		HOUSING KEY/COLOR	GROMMET CAP	PLR	MAT SEAL	1	2	3	4	5	6	7	8	9	10	11	12	13	14	15	16	17	18	19	20								
KEY A, BLACK W/O PLR	34955-2001	A-BLK	GCO		M-R																							OBSOLETE	SEE 34955-2101				
KEY A, BLACK W/O PLR	34955-2101	A-BLK	GCO		M-B																							SALEABLE					

TABLE OF CONTENTS	
SHEET NO.	SHEET DESCRIPTION
1	NOTES
2	KEY CONFIGURATIONS
3	BLADE SEALED ASSEMBLY
4	SYSTEM PACKAGING
5	BACKSHELL NOTES
6	BACKSHELL
7	BACKSHELL CONFIGURATIONS
8	BOM

NOTES: VALID UNLESS OTHERWISE SPECIFIED

1. GENERAL:
  - a. APPLICATION SPECIFICATION SEE: AS-33472-100  
 CONTAINS: PRODUCT INTRODUCTION, PRODUCT SUMMARY, CONNECTOR ASSEMBLY, PACKAGING INFORMATION, CONNECTOR MATING, SERVICE INSTRUCTIONS, ELECTRICAL CONTINUITY CHECKING, CRIMPING, AND TROUBLESHOOTING.  
 -DESIGNED TO MATE WITH RECEPTACLE SEALED ASSEMBLY SPECIFIED IN MOLEX CHARTED DRAWING SD-33472-061 AND SD-33472-071.  
 -FOR 1.5mm BLADE TERMINALS TO BE USED WITH THIS ASSEMBLY SEE MOLEX DRAWING SD-33000-001  
 - SYSTEM TO BE USED WITH WIRE WITHIN DIAMETER RANGE OF 1.2mm TO 2.69mm.  
 -ASSEMBLY SHIPPED WITH PLR IN PRE-LOCK POSITION  
 -IN THE EVENT THAT THE PLR IS FOUND IN THE SEATED (FINAL LOCK) POSITION, REFER TO MOLEX SPECIFICATION PS-34646-001, AVAILABLE AT [www.molex.com](http://www.molex.com) <<http://www.molex.com>>  
 -ASSEMBLY CONFORMS TO SAE/USCAR-2 REV.4 WITH THE FOLLOWING EXCEPTIONS: TERMINAL INSERTION FORCE FOR WIRE DIAMETER ABOVE 2.5mm NOT EXCEEDING 2.69mm SHALL NOT EXCEED 45 NEWTONS.
  - b. PRODUCT SPECIFICATION SEE: PS-33472-000  
 CONTAINS: PRODUCT INTRODUCTION, PRODUCT SUMMARY, AND PRODUCT VALIDATION.
  - c. PACKAGING SPECIFICATION PER MOLEX DRAWING: PK-31300-435
  - d. PARTS MUST BE IN COMPLIANCE TO MOLEX CHEMICAL SUBSTANCES FOR PRODUCTS AND PACKAGING SPECIFICATION: ES-40000-5016
  - e. DATA MUST BE SUBMITTED UNDER THE MOLEX PART NUMBER TO IMDS (COMPANY ID#13255)
2. DESIGN - MATERIALS:
  - a. SEE BOM TABLE.
3. DESIGN - GEOMETRY:
  - a. THIS IS A 100% CAD GENERATED PART. THE CAD MATHEMATICAL DATA IS THE MASTER FOR THIS PART. FOR DIMENSIONAL OR ANY INFORMATION NOT SHOWN ON THIS DRAWING, ANALYZE THE CAD MODEL.
  - b. GEOMETRIC DIMENSIONS AND TOLERANCES PER ASME Y14.5M - 1994
  - c. EDGES AND UNDIMENSIONED DETAILS PER ISO13715
  - d. CORNERS SHOWN AS SHARP TO BE R 0.2 MAX.
  - e. LETTERING SHALL BE 0.15 MAX RAISED IN 0.25 MAX RECESS PAD. THIS INCLUDES RECYCLING CODE, CAVITY ID, VENDOR IDENTIFICATION, AND CUSTOMER MATERIAL NUMBER.
  - f. VISUAL DEFECTS SHALL MEET COSMETIC STANDARD PS-45499-002 (Class B).
  - g. LASER MARKING: TBD

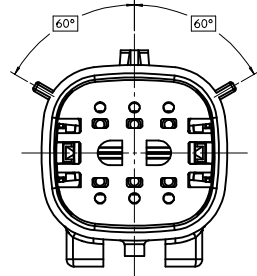


INSPECTION NUMBER LOG  
 LAST NUMBER USED: 5  
 ADDED:  
 REMOVED: 2

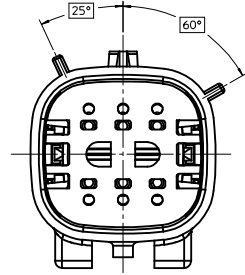
AB	ADD NEW P/N 33482-0653
AA10	UPDATED STATUS AND COMMENTS COLUMNS
AA9	ADD NEW P/N 33482-0652
AA8	ADD NEW P/N 33482-0650 33482-0651
AA7	ADD NEW P/N 33482-0649
AA6	ADD NEW P/N 33482-0648
AA5	ADD NEW P/N 33482-0646 33482-0647
AA4	ADD NEW P/N 33482-0645
AA3	ADD NEW P/N 33482-0644
AA2	CHANGE PART NUMBER STATUS ADD NEW P/N 33482-0641 33482-0642 33482-0643
REV	DESCRIPTION

REVISED DEC NO. 2016/03/07 DRAWN BY: AB CHKD: APPR: JDENG02 DESCRIPTION:	QUALITY SYMBOLS ∇=0 ∇=0 ∇=0	GENERAL TOLERANCES (UNLESS SPECIFIED) mm    INCH 4 PLACES ± --- ± --- 3 PLACES ± 0.10 ± --- 2 PLACES ± 0.3 ± --- 1 PLACE ± ± --- 0 PLACE ± ±	DIMENSION STYLE MM ONLY DRAWN BY: MDICK DATE: 2011/07/22 CHECKED BY: MDICK DATE: 2011/12/19 APPROVED BY:	SCALE 2:1 DESIGN UNITS METRIC THIRD ANGLE PROJECTION	TITLE MX150 2X3 BLADE SEALED ASSEMBLY MAT SEAL <b>molex</b>	MATERIAL NO. SEE BOM	DOCUMENT NO. SD-33482-061	SHEET NO. 1 OF 9	
	ANGLUAR ± 3 ° DRAFT WHERE APPLICABLE MUST REMAIN WITHIN DIMENSIONS		SIZE D THIS DRAWING CONTAINS INFORMATION THAT IS PROPRIETARY TO MOLEX INCORPORATED AND SHOULD NOT BE USED WITHOUT WRITTEN PERMISSION						
	THIS DRAWING CONTAINS INFORMATION THAT IS PROPRIETARY TO MOLEX INCORPORATED AND SHOULD NOT BE USED WITHOUT WRITTEN PERMISSION								
	THIS DRAWING CONTAINS INFORMATION THAT IS PROPRIETARY TO MOLEX INCORPORATED AND SHOULD NOT BE USED WITHOUT WRITTEN PERMISSION								

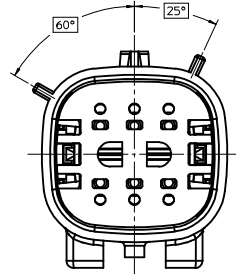
KEY CONFIGURATIONS



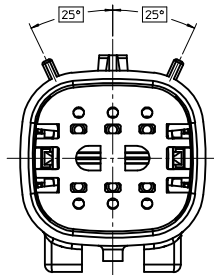
KEY A



KEY B



KEY C



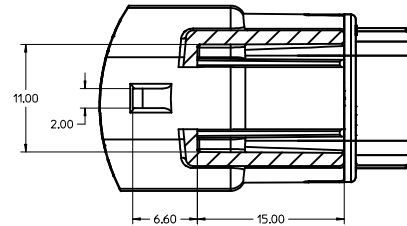
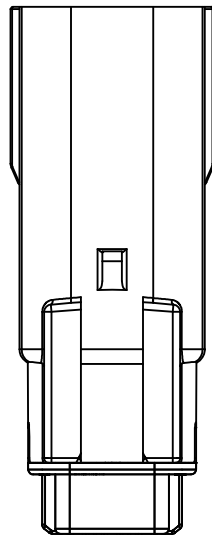
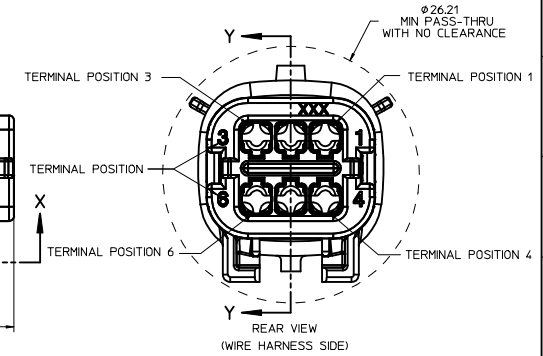
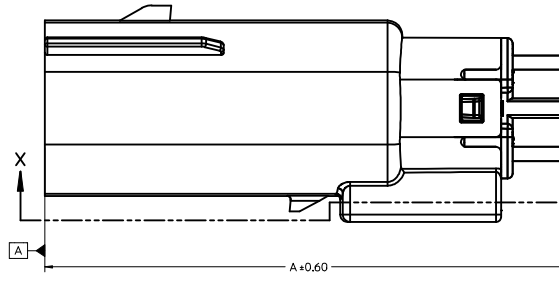
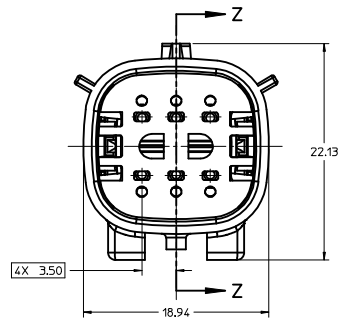
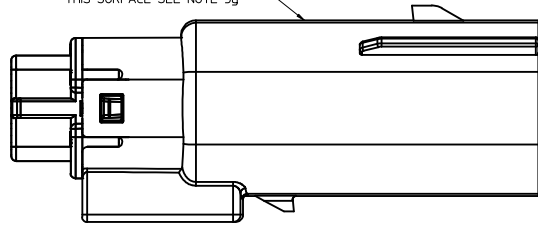
KEY D

REVISED DEC NO. 01/2016-1297 DRAWN BY AB CHKD: APPR: JDENGOZ 2016/03/07 REVISION DESCRIPTION	GENERAL TOLERANCES (UNLESS SPECIFIED)		DIMENSION STYLE <b>MM ONLY</b>	SCALE <b>4:1</b>	DESIGN UNITS <b>METRIC</b>	THIRD ANGLE PROJECTION	
	∇=0 4 PLACES ± --- ± --- ∇=0 3 PLACES ± --- ± --- ∇=0 2 PLACES ± 0.10 ± --- ∇=0 1 PLACE ± 0.3 ± --- 0 PLACE ± ±	mm    INCH	DRAWN BY MDICK    DATE 2011/07/22	TITLE <b>MX150 2X3 BLADE                  SEALED ASSEMBLY                  MAT SEAL</b>			
	ANGULAR ± 3 ° DRAFT WHERE APPLICABLE MUST REMAIN WITHIN DIMENSIONS		CHECKED BY MDICK    DATE 2011/12/19	APPROVED BY    DATE			
	MATERIAL NO. <b>SEE BOM</b>			DOCUMENT NO. <b>SD-33482-061</b>		SHEET NO. 2 OF 9	

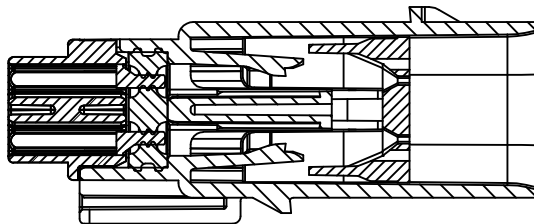
THIS DRAWING CONTAINS INFORMATION THAT IS PROPRIETARY TO MOLEX INCORPORATED AND SHOULD NOT BE USED WITHOUT WRITTEN PERMISSION

**BLADE SEALED ASSEMBLY**

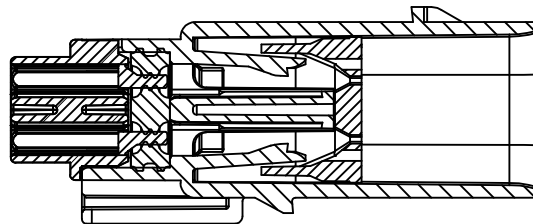
OPTIONAL LASER MARKING ON THIS SURFACE SEE NOTE 3g



Partial X-X  
SCALE 4:1



PRIMARY LOCK REINFORCEMENT (PLR) SHOWN IN PRE-STAGED POSITION  
SECTION Z-Z



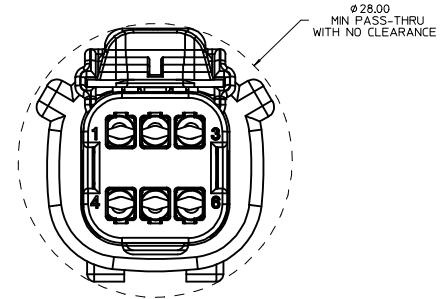
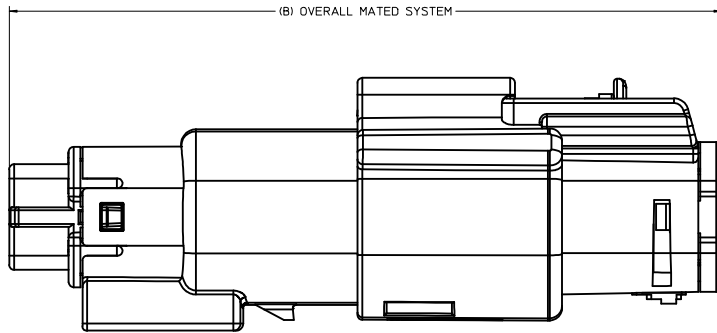
PRIMARY LOCK REINFORCEMENT (PLR) SHOWN IN FINAL-LOCK POSITION  
SECTION Y-Y

CHARTED DIMENSIONS	
CONFIGURATION	A
MX150 2X3 BLADE SEALED ASSEMBLY - STANDARD	53.85
MX150 2X3 BLADE SEALED ASSEMBLY - LENGTHENED	55.85

REVISED IEC NO. UAU2016-1297 DRAWN BY CHYK APPR: JENGGZ 2016/03/07 2016/03/07 AB	QUALITY SYMBOLS	GENERAL TOLERANCES (UNLESS SPECIFIED)	DIMENSION STYLE	SCALE	DESIGN UNITS	THIRD ANGLE PROJECTION
	∇=0 ∇=0 ∇=0	mm    INCH 4 PLACES ±    ± 3 PLACES ±    ± 2 PLACES ±0.10 ± 1 PLACE ±0.3 ± 0 PLACE ±    ±	MM ONLY	4:1	METRIC	M 3 A
	DRAWN BY: MDICK CHECKED BY: MDICK APPROVED BY:	DATE: 2011/07/22 DATE: 2011/12/19 DATE:	MATERIAL NO. SEE BOM	TITLE MX150 2X3 BLADE SEALED ASSEMBLY MAT SEAL	DOCUMENT NO. SD-33482-061	SHEET NO. 3 OF 9
	SIZE D	ANGULAR ± 3 ° DRAFT WHERE APPLICABLE MUST REMAIN WITHIN DIMENSIONS	THIS DRAWING CONTAINS INFORMATION THAT IS PROPRIETARY TO MOLEX INCORPORATED AND SHOULD NOT BE USED WITHOUT WRITTEN PERMISSION			

20 19 18 17 16 15 14 13 12 11 10 9 8 7 6 5 4 3 2 1

SYSTEM PACKAGING



CHARTED DIMENSIONS	
CONFIGURATION	B
MX150 2X3 BLADE SEALED ASSEMBLY - STANDARD	72.78
MX150 2X3 BLADE SEALED ASSEMBLY - LENGTHENED	74.79

CHARTED DIMENSIONS	
CONFIGURATION	C
MX150 2X3 RECEPTACLE SEALED ASSEMBLY WITHOUT CLIPSLLOT	30.50
MX150 2X3 RECEPTACLE SEALED ASSEMBLY WITH CLIPSLLOT	28.00

<b>REVISED</b> IEC NO. UAU2016-1297 DRAWN BY CHYK APPR: JDENG02 2016/03/07 2016/03/07 DESCRIPTION	QUALITY SYMBOLS	GENERAL TOLERANCES (UNLESS SPECIFIED)	DIMENSION STYLE	SCALE	DESIGN UNITS	THIRD ANGLE PROJECTION
	▽=0	mm INCH	MM ONLY	4:1	METRIC	☉
	▽=0	4 PLACES ± --- ± ---	DRAWN BY DATE			
	▽=0	3 PLACES ± --- ± ---	MDICK 2011/07/22			
	2 PLACES ± 0.10 ± ---	CHECKED BY DATE				MX150 2X3 BLADE SEALED ASSEMBLY MAT SEAL <b>molex</b>
	1 PLACE ± 0.3 ± ---	MDICK 2011/12/19				
	0 PLACE ± ±	APPROVED BY DATE				
		ANGULAR ± 3 °	MATERIAL NO.	DOCUMENT NO.		SHEET NO.
		DRAFT WHERE APPLICABLE MUST REMAIN WITHIN DIMENSIONS	SEE BOM	SD-33482-061		4 OF 9
			SIZE D	THIS DRAWING CONTAINS INFORMATION THAT IS PROPRIETARY TO MOLEX INCORPORATED AND SHOULD NOT BE USED WITHOUT WRITTEN PERMISSION		

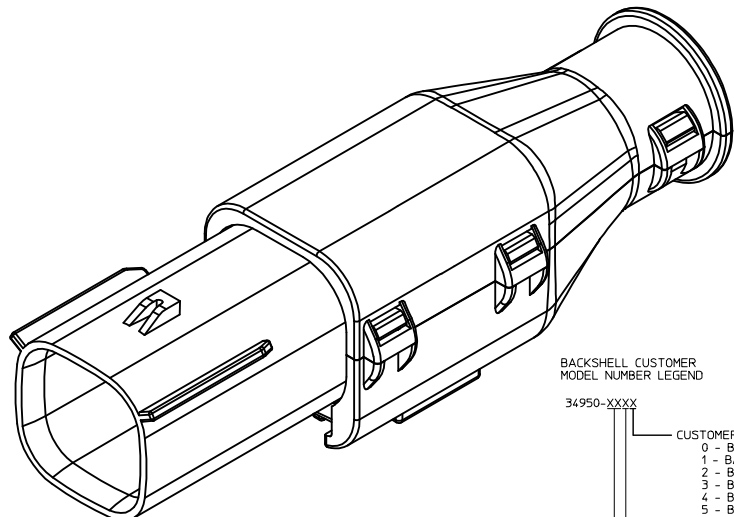
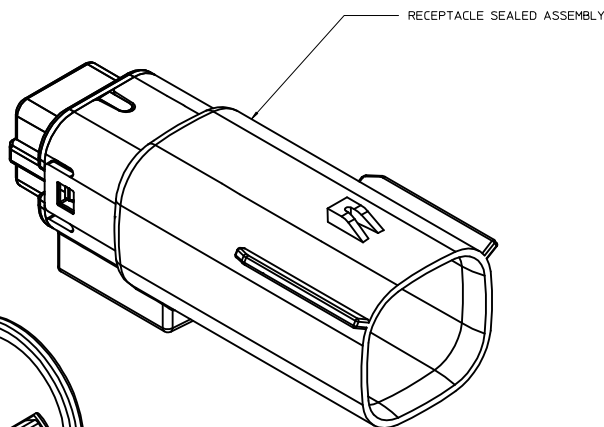
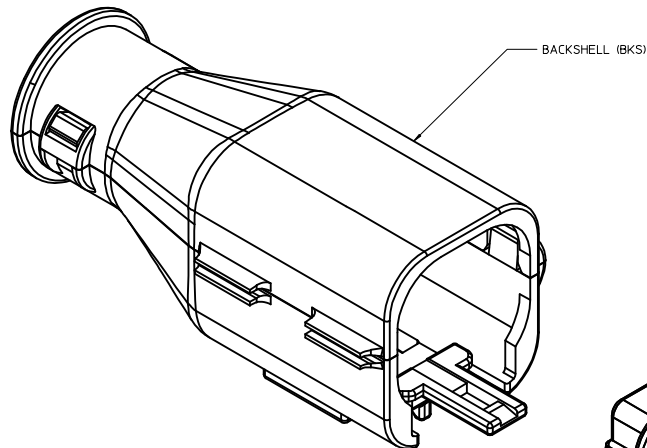
19 18 17 16 15 14 13 12 11 10 9 8 7 6 5 4 3 2 1

BACKSHELL NOTES

BACKSHELL NOTES: VALID UNLESS OTHERWISE SPECIFIED

1. GENERAL:

- a. APPLICATION SPECIFICATION SEE: AS-34951-001
- DESIGNED TO MATE WITH BLADE SEALED ASSEMBLY SPECIFIED IN MOLEX DRAWING SD-33482-061.
- SYSTEM TO BE USED WITH WIRE WITHIN DIAMETER RANGE OF 1.2mm TO 2.69mm.
- COMPONENTS ARE OPTIONAL AND MUST BE PURCHASED SEPARATELY
- BACKSHELL DESIGN IS OWNED BY SCHLEMMER
- FOR ADDITIONAL INFORMATION SEE THE BACKSHELL COMPONENT DRAWING SD-34950-0001.



BACKSHELL CUSTOMER MODEL NUMBER LEGEND

34950-XXXX

CUSTOMER MODEL COMPONENTS

- 0 - BACKSHELL ONLY
- 1 - BACKSHELL & MX150 HOUSING KEY A ASSEMBLY
- 2 - BACKSHELL & MX150 HOUSING KEY B ASSEMBLY
- 3 - BACKSHELL & MX150 HOUSING KEY C ASSEMBLY
- 4 - BACKSHELL & MX150 HOUSING KEY D ASSEMBLY
- 5 - BACKSHELL & MX150 2X3 LENGTHENED HOUSING KEY A ASSEMBLY
- 6 - BACKSHELL & MX150 2X3 LENGTHENED HOUSING KEY B ASSEMBLY
- 7 - BACKSHELL & MX150 2X3 LENGTHENED HOUSING KEY C ASSEMBLY
- 8 - BACKSHELL & MX150 2X3 LENGTHENED HOUSING KEY D ASSEMBLY

BACKSHELL FEATURES

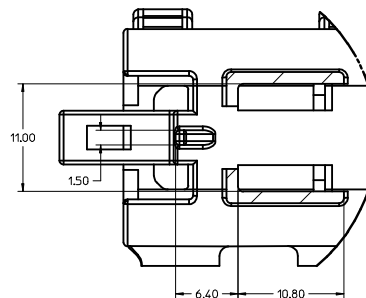
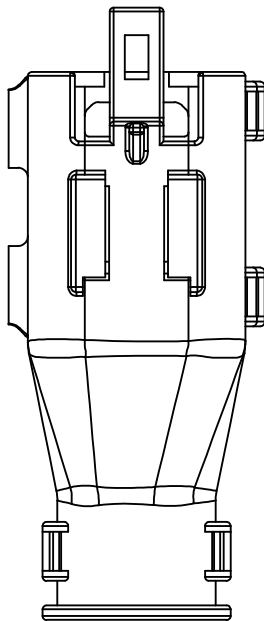
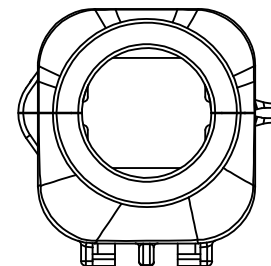
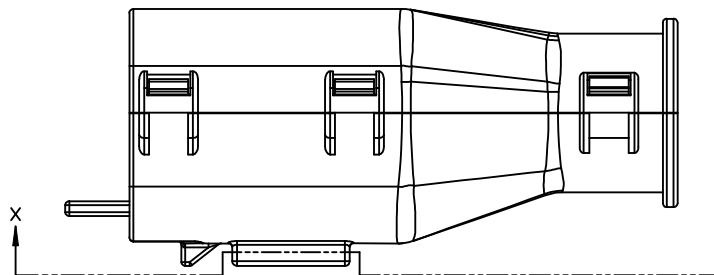
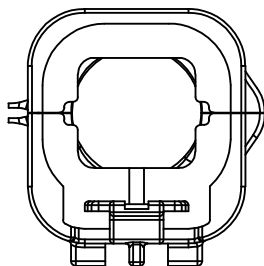
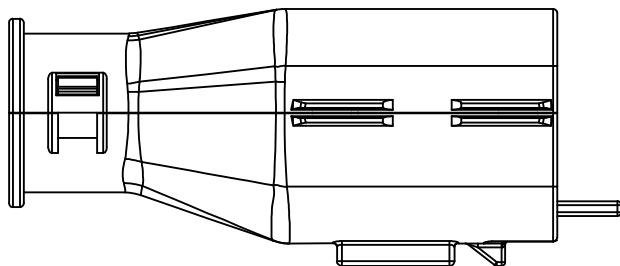
- 1 - WITH RIBS
- 2 - WITHOUT RIBS

MX150 CIRCUIT SIZE 04, 06, 08, 12, 16, 20

REVISED IEC NO. UAU2016-1297 DRAWN BY CHYK APPR: JDENG02 2016/03/07 2016/03/07 2016/03/07 AB	QUALITY SYMBOLS ∇=0 ∇=0 ∇=0	GENERAL TOLERANCES (UNLESS SPECIFIED)		DIMENSION STYLE <b>MM ONLY</b>	SCALE <b>4:1</b>	DESIGN UNITS <b>METRIC</b>	THIRD ANGLE PROJECTION
		4 PLACES ± mm ± INCH 3 PLACES ± --- ± --- 2 PLACES ± 0.10 ± --- 1 PLACE ± 0.3 ± --- 0 PLACE ± ±	DRAWN BY MDICK DATE 2011/07/22	CHECKED BY MDICK DATE 2011/12/19	APPROVED BY DATE	MATERIAL NO. <b>SEE BOM</b>	DOCUMENT NO. <b>SD-33482-061</b>
DRAFT WHERE APPLICABLE MUST REMAIN WITHIN DIMENSIONS		ANGULAR ± 3 °		THIS DRAWING CONTAINS INFORMATION THAT IS PROPRIETARY TO MOLEX INCORPORATED AND SHOULD NOT BE USED WITHOUT WRITTEN PERMISSION			

20 19 18 17 16 15 14 13 12 11 10 9 8 7 6 5 4 3 2 1

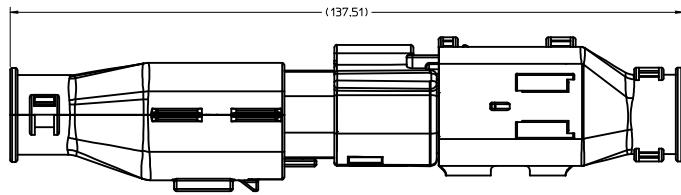
BACKSHELL  
THE VIEWS ON THIS SHEET ARE  
IN THE CLOSED UN-ASSEMBLED POSITION



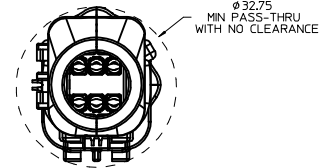
Partial X-X  
SCALE 4:1

REVISED IEC NO. UAU2016-1297 DRAWN BY CHKD: APPR: JDENG02 2016/03/07 2016/03/07 DESCRIPTION AB	QUALITY SYMBOLS	GENERAL TOLERANCES (UNLESS SPECIFIED)	DIMENSION STYLE	SCALE	DESIGN UNITS	THIRD ANGLE PROJECTION
	∇=0 ∇=0 ∇=0	mm INCH 4 PLACES ± --- ± --- 3 PLACES ± --- ± --- 2 PLACES ± 0.10 ± --- 1 PLACE ± 0.3 ± --- 0 PLACE ± ±	MM ONLY	4:1	METRIC	DRAWN BY DATE MD LCK 2011/07/22 CHECKED BY DATE MD LCK 2011/12/19 APPROVED BY DATE
ANGULAR ± 3 ° DRAFT WHERE APPLICABLE MUST REMAIN WITHIN DIMENSIONS			MATERIAL NO.	DOCUMENT NO.	TITLE MX150 2X3 BLADE SEALED ASSEMBLY MAT SEAL <b>molex</b>	
			SEE BOM	SD-33482-061	SHEET NO. 6 OF 9	
THIS DRAWING CONTAINS INFORMATION THAT IS PROPRIETARY TO MOLEX INCORPORATED AND SHOULD NOT BE USED WITHOUT WRITTEN PERMISSION						

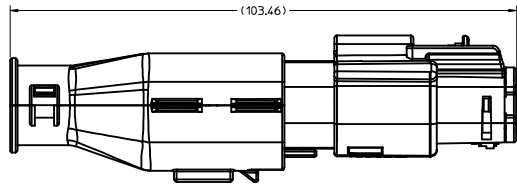
19 18 17 16 15 14 13 12 11 10 9 8 7 6 5 4 3 2 1



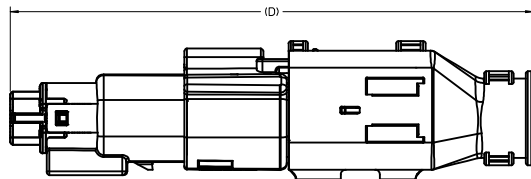
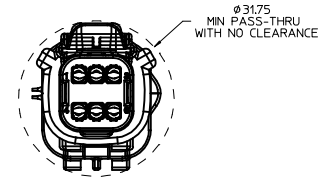
OVERALL MATED SYSTEM WITH BLADE AND RECEPTACLE BACKSHELL



BACKSHELL CONFIGURATIONS

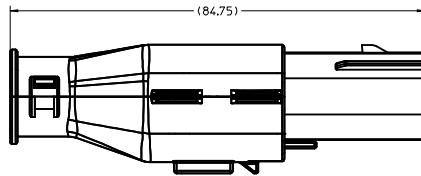
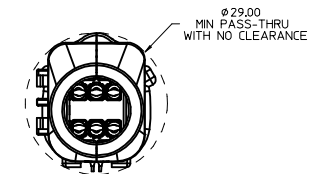


OVERALL MATED SYSTEM WITH BLADE BACKSHELL

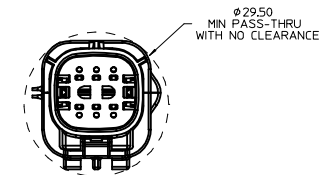


OVERALL MATED SYSTEM WITH RECEPTACLE BACKSHELL

CHARTED DIMENSIONS	
CONFIGURATION	D
MX150 2X3 BLADE SEALED ASSEMBLY - STANDARD	106.83
MX150 2X3 BLADE SEALED ASSEMBLY - LENGTHENED	108.71



BLADE SEALED ASSEMBLY WITH BLADE BACKSHELL



<b>REVISED</b> IEC NO. UAU2016-1297 DRAWN BY CHKD: APPR: JDENG02 2016/03/07 2016/03/07 DESCRIPTION	QUALITY SYMBOLS $\nabla=0$ $\nabla=0$ $\nabla=0$		GENERAL TOLERANCES (UNLESS SPECIFIED) <table border="1"> <thead> <tr> <th></th> <th>mm</th> <th>INCH</th> </tr> </thead> <tbody> <tr> <td>4 PLACES</td> <td><math>\pm 0.10</math></td> <td><math>\pm 0.004</math></td> </tr> <tr> <td>3 PLACES</td> <td><math>\pm 0.15</math></td> <td><math>\pm 0.005</math></td> </tr> <tr> <td>2 PLACES</td> <td><math>\pm 0.20</math></td> <td><math>\pm 0.008</math></td> </tr> <tr> <td>1 PLACE</td> <td><math>\pm 0.30</math></td> <td><math>\pm 0.012</math></td> </tr> <tr> <td>0 PLACE</td> <td><math>\pm 0.40</math></td> <td><math>\pm 0.016</math></td> </tr> </tbody> </table>			mm	INCH	4 PLACES	$\pm 0.10$	$\pm 0.004$	3 PLACES	$\pm 0.15$	$\pm 0.005$	2 PLACES	$\pm 0.20$	$\pm 0.008$	1 PLACE	$\pm 0.30$	$\pm 0.012$	0 PLACE	$\pm 0.40$	$\pm 0.016$	DIMENSION STYLE <b>MM ONLY</b>		SCALE <b>2:1</b>	DESIGN UNITS <b>METRIC</b>	THIRD ANGLE PROJECTION
		mm	INCH																								
	4 PLACES	$\pm 0.10$	$\pm 0.004$																								
	3 PLACES	$\pm 0.15$	$\pm 0.005$																								
2 PLACES	$\pm 0.20$	$\pm 0.008$																									
1 PLACE	$\pm 0.30$	$\pm 0.012$																									
0 PLACE	$\pm 0.40$	$\pm 0.016$																									
DRAFT WHERE APPLICABLE MUST REMAIN WITHIN DIMENSIONS			MATERIAL NO. <b>SEE BOM</b>		DOCUMENT NO. <b>SD-33482-061</b>		SHEET NO. <b>7 OF 9</b>																				
TITLE <b>MX150 2X3 BLADE SEALED ASSEMBLY MAT SEAL</b>			DRAWN BY MD LCK DATE 2011/07/22		CHECKED BY MD LCK DATE 2011/12/19		APPROVED BY																				

ASSEMBLY DESCRIPTION	ASSEMBLY PART NUMBER	A	B	C	D	C	D	GC	GCL	1	2	3	4	5	6
KEY D, STONE GRAY	33482-0643							D	GC				3	4	
KEY C, DARK GRAY	33482-0642							C	GC				3	4	
KEY D, STONE GRAY	33482-0641							D	GC				3		
KEY A, BLACK	33482-0640	A							GC				4		
KEY A W/ LENGTHENED CAP, BLACK	33482-0639	A							GCL	1	2	3	4	5	6
KEY C, DARK GRAY	33482-0638							C	GC				3		
KEY A, BLACK	33482-0637	A							GC			2			6
KEY A W/ LENGTHENED CAP, BLACK	33482-0636	A							GCL				3		
KEY C W/ LENGTHENED CAP, DARK GRAY	33482-0635							C	GC				3		
KEY D W/ LENGTHENED CAP, STONE GRAY	33482-0634							D	GC						
KEY C W/ LENGTHENED CAP, DARK GRAY	33482-0633							C	GC						
KEY B W/ LENGTHENED CAP, LIGHT GRAY	33482-0632		B						GCL						
KEY A W/ LENGTHENED CAP, BLACK	33482-0631	A							GCL						
KEY A, BLACK	33482-0630	A							GC				3		6
KEY D, STONE GRAY	33482-0629							D	GC						
KEY C, DARK GRAY	33482-0628							C	GC						
KEY A, BLACK	33482-0627	A							GC			2	3		5 6
KEY A, BLACK	33482-0626	A							GC	1	2	3	4		
KEY B, LIGHT GRAY	33482-0625		B						GC	1				5	
KEY A, BLACK	33482-0624	A							GC						6
KEY A, BLACK	33482-0623	A							GC					5	
KEY A, BLACK	33482-0622	A							GC				4	5	6
KEY A, BLACK	33482-0621	A							GC	1				4	5
KEY A, BLACK	33482-0620	A							GC	1	2	3	4	5	6
KEY A, BLACK	33482-0619	A							GC		2	3	4	5	
KEY A, BLACK	33482-0618	A							GC					5	6
KEY A, BLACK	33482-0617	A							GC		2				
KEY A, BLACK	33482-0616	A							GC				3		
VOID KEY	33482-0615														
KEY D, GREEN	33482-0614							D	GC				3	4	
KEY C, BROWN	33482-0613							C	GC				3	4	
KEY B, LIGHT GRAY	33482-0612		B						GC				3	4	
KEY A, BLACK	33482-0611	A							GC				3	4	
VOID KEY	33482-0610														
KEY D, GREEN	33482-0609							D	GC				3		
KEY C, BROWN	33482-0608							C	GC				3		
KEY B, LIGHT GRAY	33482-0607		B						GC				3		
KEY A, BLACK	33482-0606	A							GC				3		
VOID KEY	33482-0605														
KEY D, GREEN	33482-0604							D	GC						
KEY C, BROWN	33482-0603							C	GC						
KEY B, LIGHT GRAY	33482-0602		B						GC						
KEY A, BLACK	33482-0601	A							GC						

PLANNED OBSOLESCECE  
SEE DRAWING SD-33482-0002  
FOR REPLACEMENT P/N

REPLACEMENT P/N'S ARE:  
33482-06XX TO 33482-36XX

34950-0610

34950-0620

DESCRIPTION	COLOR	MATERIAL
STANDARD PLR	NATURAL	SPS/NYLON GF20
MAT SEAL	BURNT ORANGE	INHERENTLY LUBRICATED SILICONE
GROMMET CAP, LENGTHENED	BLACK	SPS/NYLON GF20
GROMMET CAP, STANDARD	BLACK	SPS/NYLON GF20
HOUSING KEYING OPTION D	STONE GRAY	SPS/NYLON GF20
HOUSING KEYING OPTION C	DARK GRAY	SPS/NYLON GF20
HOUSING KEYING OPTION D	GREEN	SPS/NYLON GF20
HOUSING KEYING OPTION C	BROWN	SPS/NYLON GF20
HOUSING KEYING OPTION B	LIGHT GRAY	SPS/NYLON GF20
HOUSING KEYING OPTION A	BLACK	SPS/NYLON GF20

BOM/APPLICABLE COMPONENTS TABLE

ABREVIATION	COMPONENT
A	HOUSING KEY A
B	HOUSING KEY B
C	HOUSING KEY C
D	HOUSING KEY D
GC	GROMMET CAP, STANDARD
GCL	GROMMET CAP, LENGTHENED
M	MAT SEAL
P	PLR, STANDARD
BKS	BACKSHELL

BLOCKED TERMINAL  
CAVITY WITH A NUMBER INDICATES BLOCKED TERMINAL POSITION  
CAVITY WITHOUT A NUMBER INDICATES OPEN TERMINAL POSITION

STATUS

COMMENTS

BACKSHELL WITH RIBS

BACKSHELL WITHOUT RIBS

OPTIONAL ATTACHMENTS SOLD SEPARATELY

REVISED EEC NO. UAU2016-1297 DRAWN BY CHYK APPR: JDEMOZ 2016/03/07 DESCRIPTION AB	QUALITY SYMBOLS	GENERAL TOLERANCES (UNLESS SPECIFIED)	DIMENSION STYLE	SCALE	DESIGN UNITS	THIRD ANGLE PROJECTION
	∇=0 ∇=0 ∇=0	mm    INCH 4 PLACES ± --- ± --- 3 PLACES ± --- ± --- 2 PLACES ± 0.10 ± --- 1 PLACE ± 0.3 ± --- 0 PLACE ± ±	MM ONLY	DATE	METRIC	MX150 2X3 BLADE SEALED ASSEMBLY MAT SEAL
	DRAFT WHERE APPLICABLE MUST REMAIN WITHIN DIMENSIONS	MATERIAL NO. SEE BOM	DATE 2011/07/22 DATE 2011/12/19 DATE	DOCUMENT NO. SD-33482-061	SHEET NO. 8 OF 9	

THIS DRAWING CONTAINS INFORMATION THAT IS PROPRIETARY TO MOLEX INCORPORATED AND SHOULD NOT BE USED WITHOUT WRITTEN PERMISSION

ASSEMBLY DESCRIPTION	ASSEMBLY PART NUMBER	A	B	C	D	C	D	A	GC	GCL	1	2	3	4	5	6	STATUS	COMMENTS	BACKSHELL WITH RIBS	BACKSHELL WITHOUT RIBS	
KEY A, BLACK	33482-0653	A							GC			2			5		PLANNED OBSOLESCENCE SEE DRAWING SD-33482-0002 FOR REPLACEMENT P/N	REPLACEMENT P/N'S ARE: 33482-06XX TO 33482-36XX	34950-0610	34950-0620	
KEY A, BLACK	33482-0652	A							GC		1				6						
KEY A, BLACK	33482-0651	A							GC			2		4	6						
KEY A, BLACK	33482-0650	A							GC		1		3	5							
KEY A, BLACK	33482-0649	A							GC					4	6						
KEY C, DARK GRAY	33482-0648			C					GC						6						
KEY B, LIGHT GRAY	33482-0647		B						GC			2	3								
KEY A, BLACK	33482-0646	A							GC			2	3								
KEY A, BLACK	33482-0645	A							GC				3	4	5	6					
KEY A, YELLOW	33482-0644	A						A	GC												
BLOCKED TERMINAL											CAVITY WITH A NUMBER INDICATES BLOCKED TERMINAL POSITION						CAVITY WITHOUT A NUMBER INDICATES OPEN TERMINAL POSITION				
BLOCKED TERMINAL											CAVITY WITH A NUMBER INDICATES BLOCKED TERMINAL POSITION						CAVITY WITHOUT A NUMBER INDICATES OPEN TERMINAL POSITION				

STANDARD PLR	NATURAL	SPS/NYLON GF20
MAT SEAL	BURNT ORANGE	INHERENTLY LUBRICATED SILICONE
GROMMET CAP, LENGTHENED	BLACK	SPS/NYLON GF20
GROMMET CAP, STANDARD	BLACK	SPS/NYLON GF20
HOUSING KEYING OPTION A	YELLOW	SPS/NYLON GF20
HOUSING KEYING OPTION D	STONE GRAY	SPS/NYLON GF20
HOUSING KEYING OPTION C	DARK GRAY	SPS/NYLON GF20
HOUSING KEYING OPTION D	GREEN	SPS/NYLON GF20
HOUSING KEYING OPTION C	BROWN	SPS/NYLON GF20
HOUSING KEYING OPTION B	LIGHT GRAY	SPS/NYLON GF20
HOUSING KEYING OPTION A	BLACK	SPS/NYLON GF20
DESCRIPTION	COLOR	MATERIAL
BOM/APPLICABLE COMPONENTS TABLE		

<b>ENTER DESCRIPTION</b> IEC NO. UAU2016-1297 DRAWN BY: 2016/03/07 CHKD: 2016/03/07 APPR: JDEMOZ REVISION: AB	QUALITY SYMBOLS	GENERAL TOLERANCES (UNLESS SPECIFIED)	DIMENSION STYLE	SCALE	DESIGN UNITS	THIRD ANGLE PROJECTION
	▽=0	mm INCH	MM ONLY	2:1	METRIC	☉
	▽=0	4 PLACES ± --- ± ---	DRAWN BY DATE			
	▽=0	3 PLACES ± 0.10 ± ---	CHECKED BY DATE			
	2 PLACES ± 0.3 ± ---	APPROVED BY DATE				
	1 PLACE ± ±					
	0 PLACE ± ±					
	ANGULAR ± 3 °	MATERIAL NO.	SEE BOM			
	DRAFT WHERE APPLICABLE MUST REMAIN WITHIN DIMENSIONS	DOCUMENT NO.	SD-33482-061			
		SHEET NO.	9 OF 9			

TABLE OF CONTENTS	
SHEET NO.	SHEET DESCRIPTION
1	NOTES AND BOM
2	CONFIGURATIONS
3	SCHLEMMER BACKSHELL DETAIL
4	MOLEX BACKSHELL DETAIL

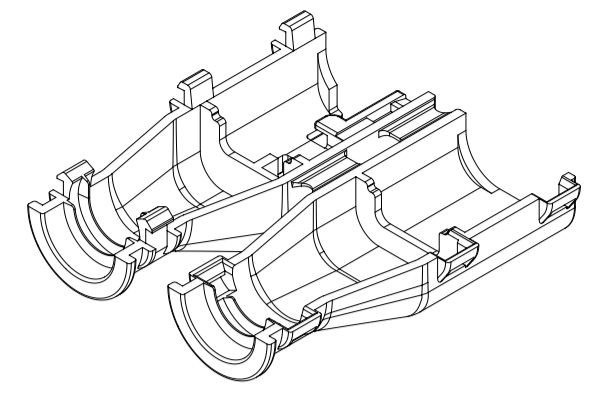
BACKSHELL NOTES: VALID UNLESS OTHERWISE SPECIFIED

1. GENERAL:
  - a. APPLICATION SPECIFICATION SEE: AS-34951-001
    - DESIGNED TO MATE WITH BLADE SEALED ASSEMBLY AS SPECIFIED IN SD-33482-0001.
    - COMPONENTS ARE OPTIONAL AND MUST BE PURCHASED SEPERATELY
  - b. MOLEX PRODUCT SPECIFICATION SEE: TBD
    - BACKSHELL DESIGN IS OWNED BY MOLEX.
  - c. SCHLEMMER PRODUCT SPECIFICATION
    - BACKSHELL DESIGN IS OWNED BY SCHLEMMER.
    - THESE PRODUCTS ARE ONE TIME USE ONLY.
    - REMOVAL FORCE OF THE BACKSHELL FROM THE MOLEX CONNECTOR TO BE 100N MIN.
    - REMOVAL FORCE OF SLIT CONVOLUTE FROM THE WITH RIB OPTION BACKSHELLS TO BE 100N MIN.
    - REMOVAL FORCE OF UNSLIT CONVOLUTE FROM THE WITH RIB OPTION BACKSHELLS TO BE 100N MIN.
  - d. PACKAGING SPECIFICATION: SEE BOM
  - e. PARTS MUST BE IN COMPLIANCE TO MOLEX CHEMICAL SUBSTANCES FOR PRODUCTS AND PACKAGING SPECIFICATION: QEHS-699000-300
  - f. DATA MUST BE SUBMITTED UNDER THE MOLEX PART NUMBER TO IMDS (COMPANY ID#13255)
  - g. FOLLOWING PRODUCTION CODES TO BE PRESENT
    - DATE CODE
    - MOLD CAVITY CODE
    - MOLEX LOGO
    - RECYCLE CODE
    - SUPPLIER PART NUMBER - SCHLEMMER PARTS ONLY

2. DESIGN - MATERIALS:
  - a. PA66 0% GLASS FILLED
  - b. BLACK

3. DESIGN GEOMETRY:
  - a. THIS IS A 100% CAD GENERATED PART. THE CAD MATHEMATICAL DATA IS THE MASTER FOR THIS PART. FOR DIMENSIONAL OR ANY INFORMATION NOT SHOWN ON THIS DRAWING, ANALYZE THE CAD MODEL.
  - b. GEOMETRIC DIMENSIONS AND TOLERANCES PER ASME Y14.5M - 2009.
  - c. CORNERS SHOWN AS SHARP TO BE R 0.1.
  - d. VISUAL DEFECTS SHALL MEET COSMETEIC STANDARD PS-45499-002 (CLASS B).
  - e. ALLOWABLE FLASH, PARTING LINES MISMATCH, EJECTOR PINS MARK, AND GATE VESTIGE TO BE +0.30 MAX PROTUSION.

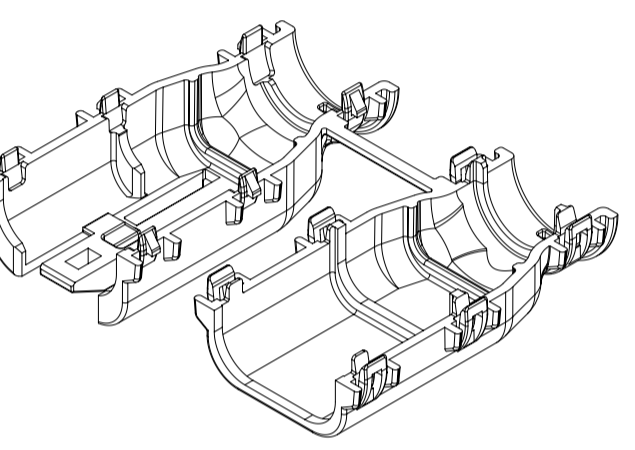
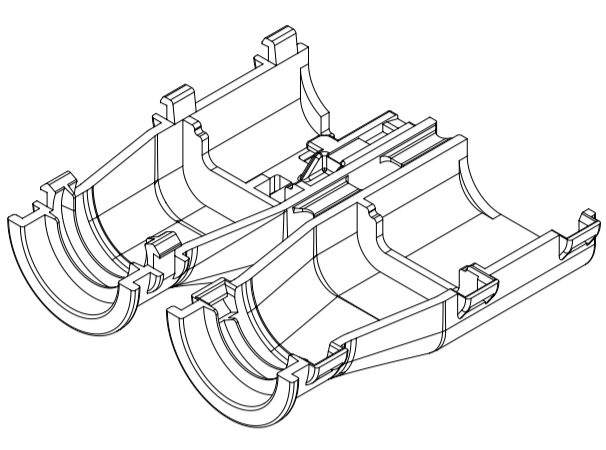
BILL OF MATERIALS (BOM)								
DESCRIPTION	PART NUMBER	CIRCUIT SIZE	COLOR	RIBS	CONVOLUTE SIZE	PACKAGING DRAWING NUMBER	STATUS	MANUFACTURER
2X3, WITH RIB	34950-0610	2X3	BLACK	YES	9 mm DELPHI	PK-31302-118	SALEABLE	SCHLEMMER
2X3, WITHOUT RIB	34950-0620	2X3	BLACK	NO	9 mm DELPHI	PK-31302-118	SALEABLE	SCHLEMMER
2X4, WITH RIB	34950-0810	2X4	BLACK	YES	TBD	PK-31302-118	DESIGN CONCEPT	SCHLEMMER
2X4, WITHOUT RIB	34950-0820	2X4	BLACK	NO	TBD	PK-31302-118	DESIGN CONCEPT	SCHLEMMER
2X4, WITH RIB	34950-0811	2X4	BLACK	YES	NW 12 SCHLEMMER	349509000 PDD	OK TO TOOL	MOLEX
2X4, WITHOUT RIB	34950-0821	2X4	BLACK	NO	NW 12 SCHLEMMER	349509000 PDD	OK TO TOOL	MOLEX
2X6, WITH RIB	34950-1210	2X6	BLACK	YES	13 mm DELPHI	PK-31302-118	SALEABLE	SCHLEMMER
2X6, WITHOUT RIB	34950-1220	2X6	BLACK	NO	13 mm DELPHI	PK-31302-118	SALEABLE	SCHLEMMER
2X8, WITH RIB	34950-1611	2X8	BLACK	YES	NW 16 SCHLEMMER	349509000 PDD	OK TO TOOL	MOLEX
2X8, WITHOUT RIB	34950-1621	2X8	BLACK	NO	NW 16 SCHLEMMER	349509000 PDD	OK TO TOOL	MOLEX
2X10, WITH RIB	34950-2011	2X10	BLACK	YES	NW 16 SCHLEMMER	349509000 PDD	OK TO TOOL	MOLEX
2X10, WITHOUT RIB	34950-2021	2X10	BLACK	NO	NW 16 SCHLEMMER	349509000 PDD	OK TO TOOL	MOLEX



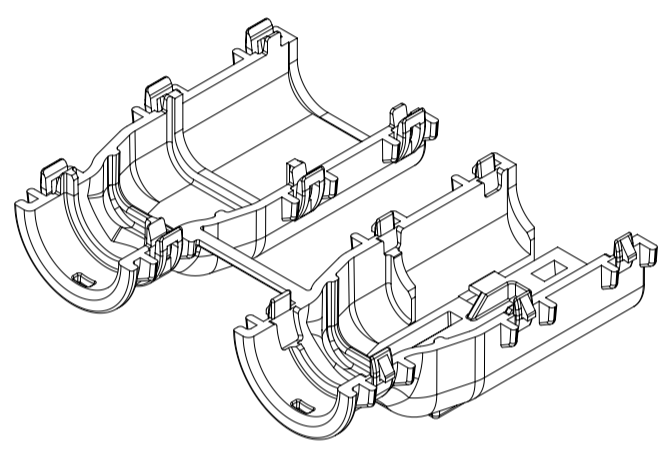
2X3 BLADE



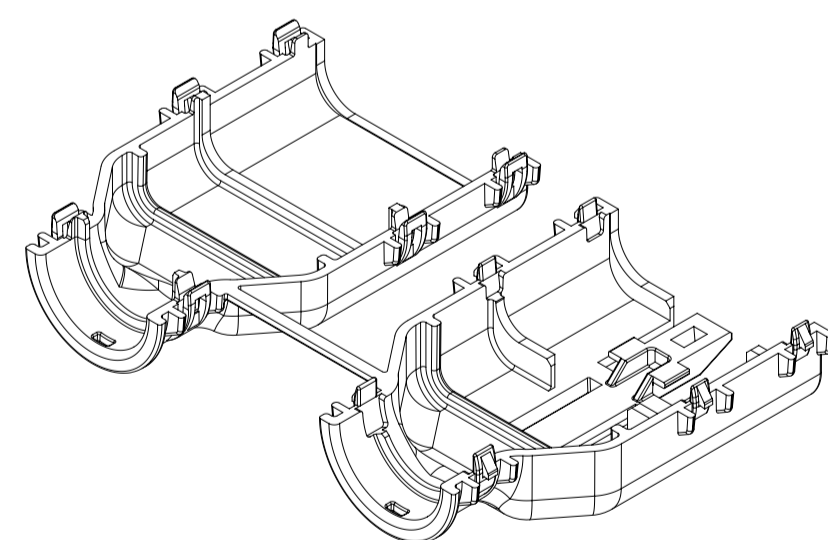
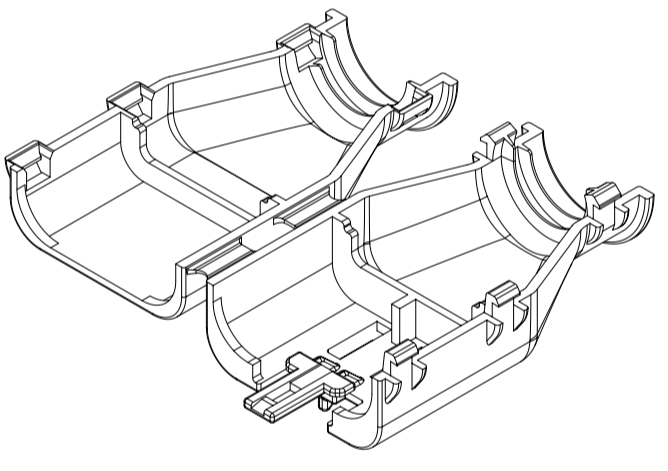
2X4 BLADE



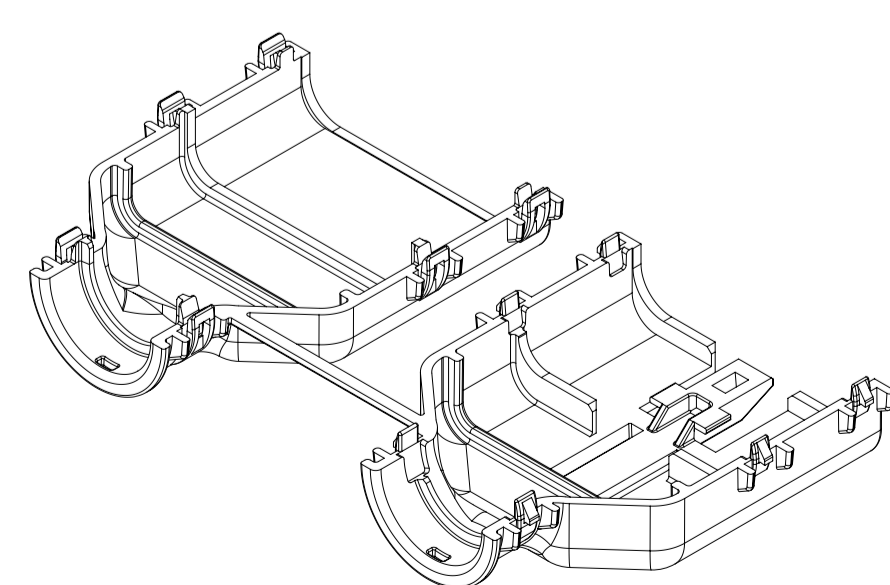
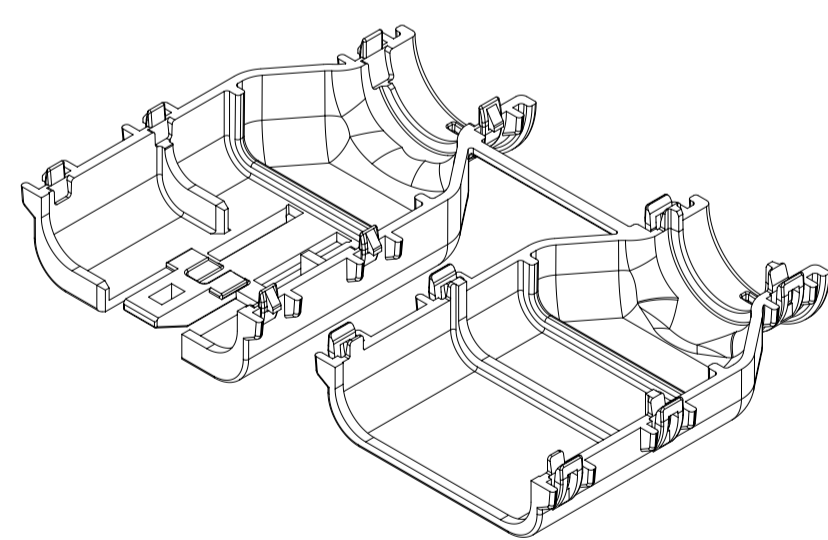
2X4 BLADE



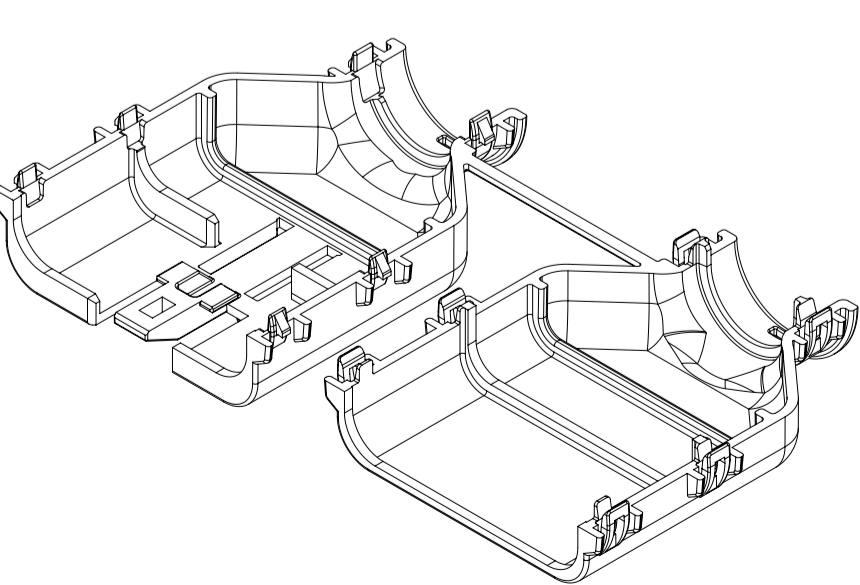
2X6 BLADE



2X8 BLADE



2X10 BLADE



INSPECTION NUMBER LOG	
LAST NUMBER:	1 - 5
ADDED:	
REMOVED:	

B2	ADDED BALLOONS & UPDATED BOM
B1	UPDATED NOTES
B	MIGRATION & ADDED MOLEX PART NUMBERS
A6	UPDATED BILL OF MATERIALS
A5	UPDATED STATUS COLUMN
A4	MINOR NOMENCLATURE CLEAN UP
A3	UPDATED VIEWSET & NOTES
A2	UPDATED REFERENCE DRAWINGS
A1	UPDATED NOTES
A	INITIAL RELEASE
REV	DESCRIPTION

QUALITY SYMBOLS FA = 0 FE = 0 FE = 0 ▼ = 0 C = 0 ☒ = 0 ■ = 0 ∇ = 0	THIS DRAWING CONTAINS INFORMATION THAT IS PROPRIETARY TO MOLEX ELECTRONIC TECHNOLOGIES, LLC AND SHOULD NOT BE USED WITHOUT WRITTEN PERMISSION		GENERAL TOLERANCES (UNLESS SPECIFIED) DIMENSION UNITS: mm SCALE: 1:1	
	DRWN BY: 2017/12/15 CHK'D: 2017/12/20 APPR: MVANSLAMBROU	DRWN BY: KBORUSZEWSKI DATE: 2015/05/11 CHK'D BY: CHKD BY DATE: 2015/05/12 APPR BY: VKOSHY	DIMENSION UNITS: mm SCALE: 1:1 DRWN BY: KBORUSZEWSKI DATE: 2015/05/11 CHK'D BY: CHKD BY DATE: 2015/05/12 APPR BY: VKOSHY	
EC NO: 169628 DRWN: DDEB CHK'D: MVANSLAMBROU APPR:	B2 REV:	DIMENSION UNITS: mm SCALE: 1:1 DRWN BY: KBORUSZEWSKI DATE: 2015/05/11 CHK'D BY: CHKD BY DATE: 2015/05/12 APPR BY: VKOSHY	DIMENSION UNITS: mm SCALE: 1:1 DRWN BY: KBORUSZEWSKI DATE: 2015/05/11 CHK'D BY: CHKD BY DATE: 2015/05/12 APPR BY: VKOSHY	MX150 DUAL ROW BLADE BACKSHELLS PRODUCT CUSTOMER DRAWING
RELEASE STATUS: P1 RELEASE DATE: 20.12.2017 21:50:29	SERIES: 34950 MATERIAL NUMBER: SD-34950-0001 DOCUMENT NUMBER:	DIMENSION UNITS: mm SCALE: 1:1 DRWN BY: KBORUSZEWSKI DATE: 2015/05/11 CHK'D BY: CHKD BY DATE: 2015/05/12 APPR BY: VKOSHY	DIMENSION UNITS: mm SCALE: 1:1 DRWN BY: KBORUSZEWSKI DATE: 2015/05/11 CHK'D BY: CHKD BY DATE: 2015/05/12 APPR BY: VKOSHY	MX150 DUAL ROW BLADE BACKSHELLS PRODUCT CUSTOMER DRAWING
18 17 16 15 14 13 12 11 10 9 8 7 6 5 4 3 2 1	18 17 16 15 14 13 12 11 10 9 8 7 6 5 4 3 2 1	DIMENSION UNITS: mm SCALE: 1:1 DRWN BY: KBORUSZEWSKI DATE: 2015/05/11 CHK'D BY: CHKD BY DATE: 2015/05/12 APPR BY: VKOSHY	DIMENSION UNITS: mm SCALE: 1:1 DRWN BY: KBORUSZEWSKI DATE: 2015/05/11 CHK'D BY: CHKD BY DATE: 2015/05/12 APPR BY: VKOSHY	MX150 DUAL ROW BLADE BACKSHELLS PRODUCT CUSTOMER DRAWING
18 17 16 15 14 13 12 11 10 9 8 7 6 5 4 3 2 1	18 17 16 15 14 13 12 11 10 9 8 7 6 5 4 3 2 1	DIMENSION UNITS: mm SCALE: 1:1 DRWN BY: KBORUSZEWSKI DATE: 2015/05/11 CHK'D BY: CHKD BY DATE: 2015/05/12 APPR BY: VKOSHY	DIMENSION UNITS: mm SCALE: 1:1 DRWN BY: KBORUSZEWSKI DATE: 2015/05/11 CHK'D BY: CHKD BY DATE: 2015/05/12 APPR BY: VKOSHY	MX150 DUAL ROW BLADE BACKSHELLS PRODUCT CUSTOMER DRAWING

SERIES	MATERIAL NUMBER	CUSTOMER
34950	SD-34950-0001	GENERAL MARKET

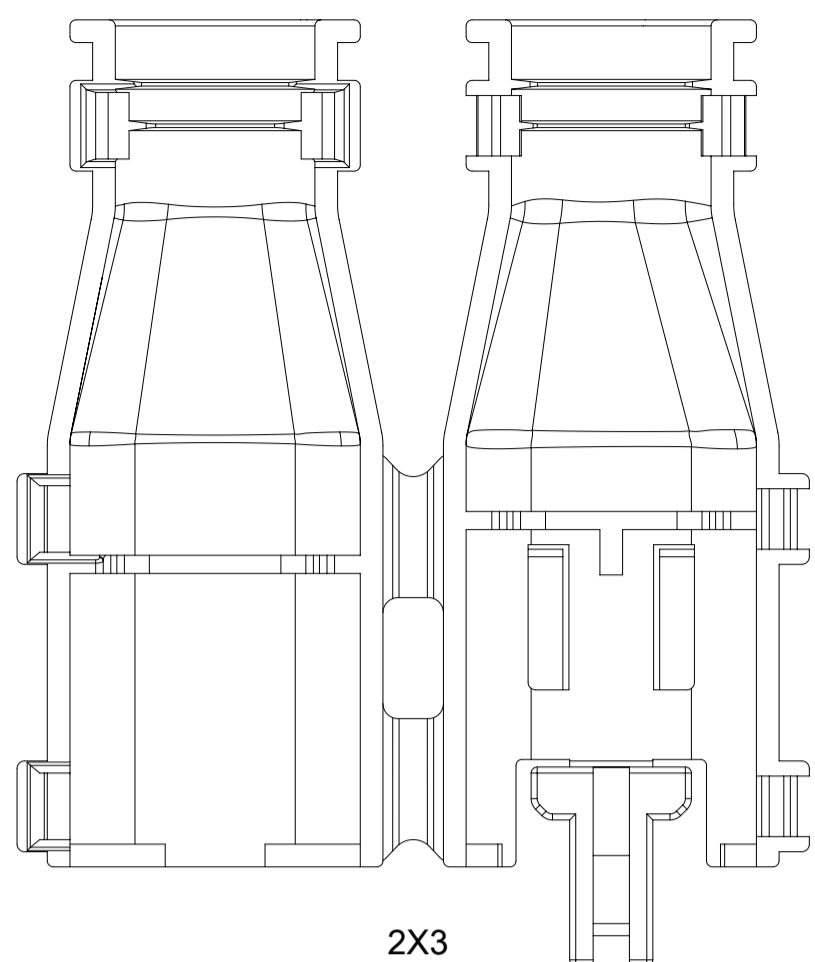
**SHEET DESCRIPTION**  
CONFIGURATIONS

WITH RIB

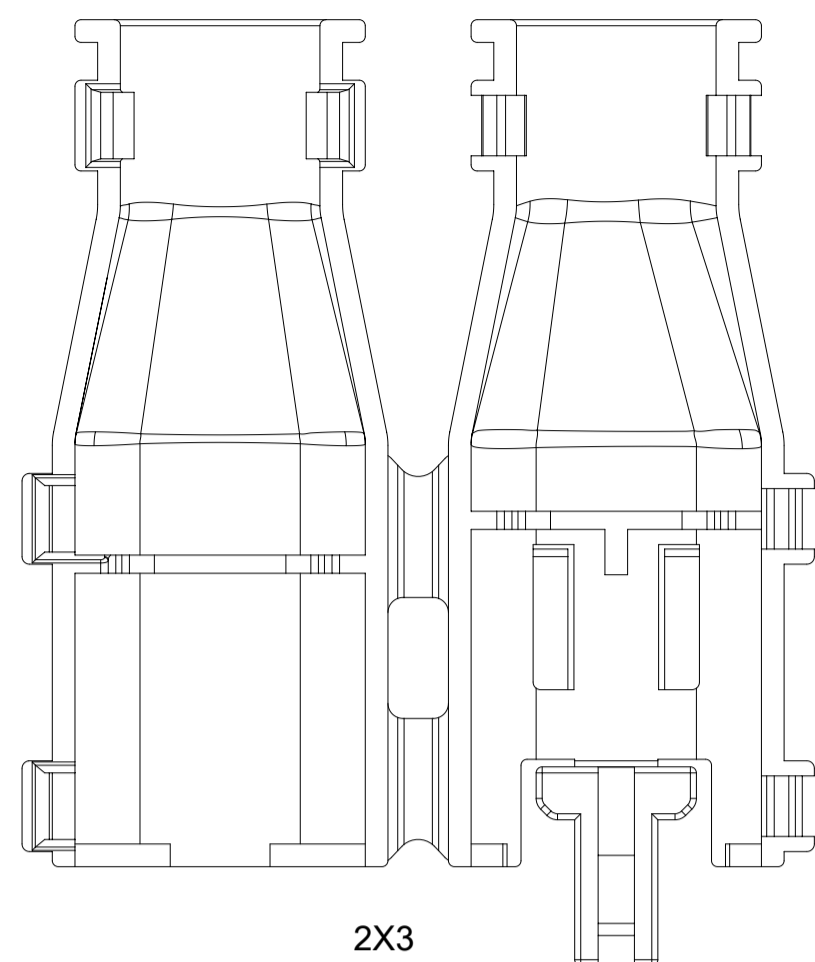
WITHOUT RIB

WITH RIB

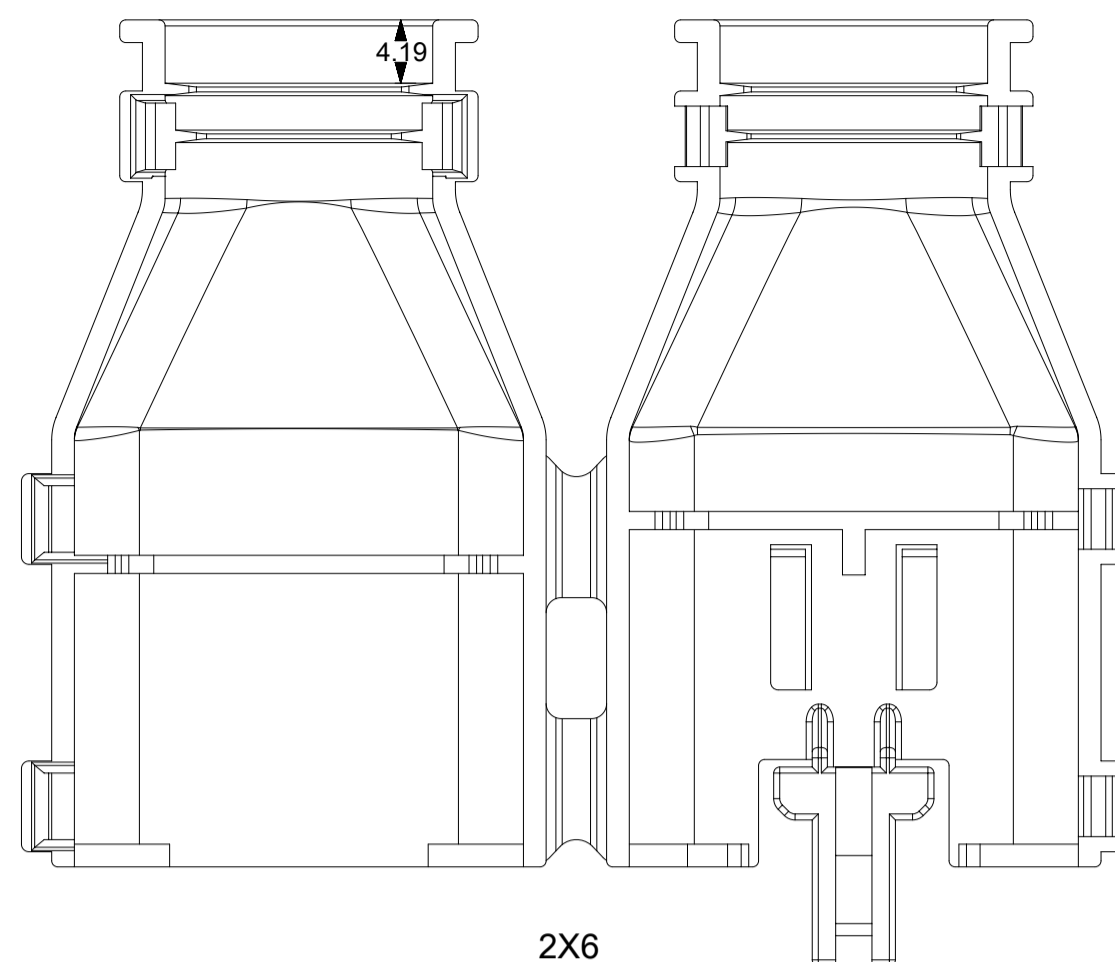
WITHOUT RIB



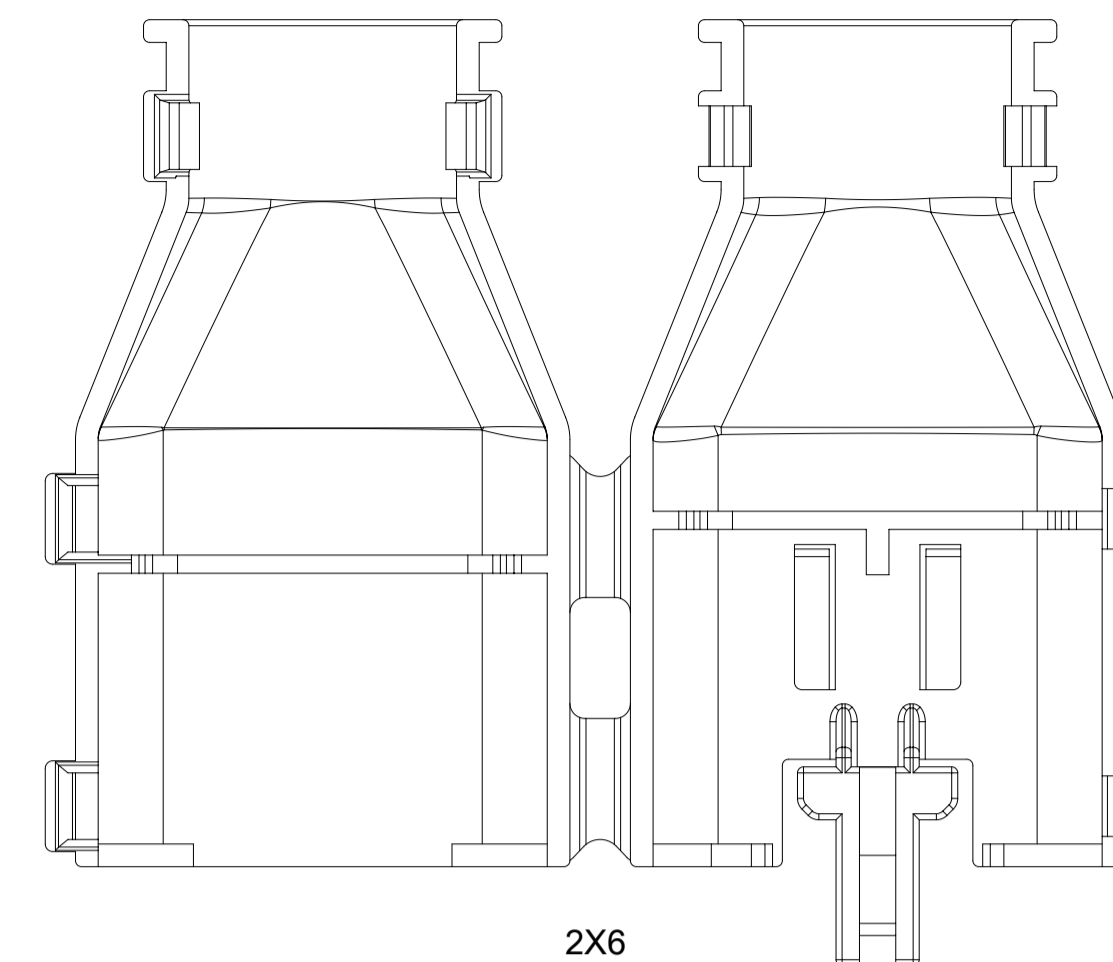
2X3  
SCHLEMMER



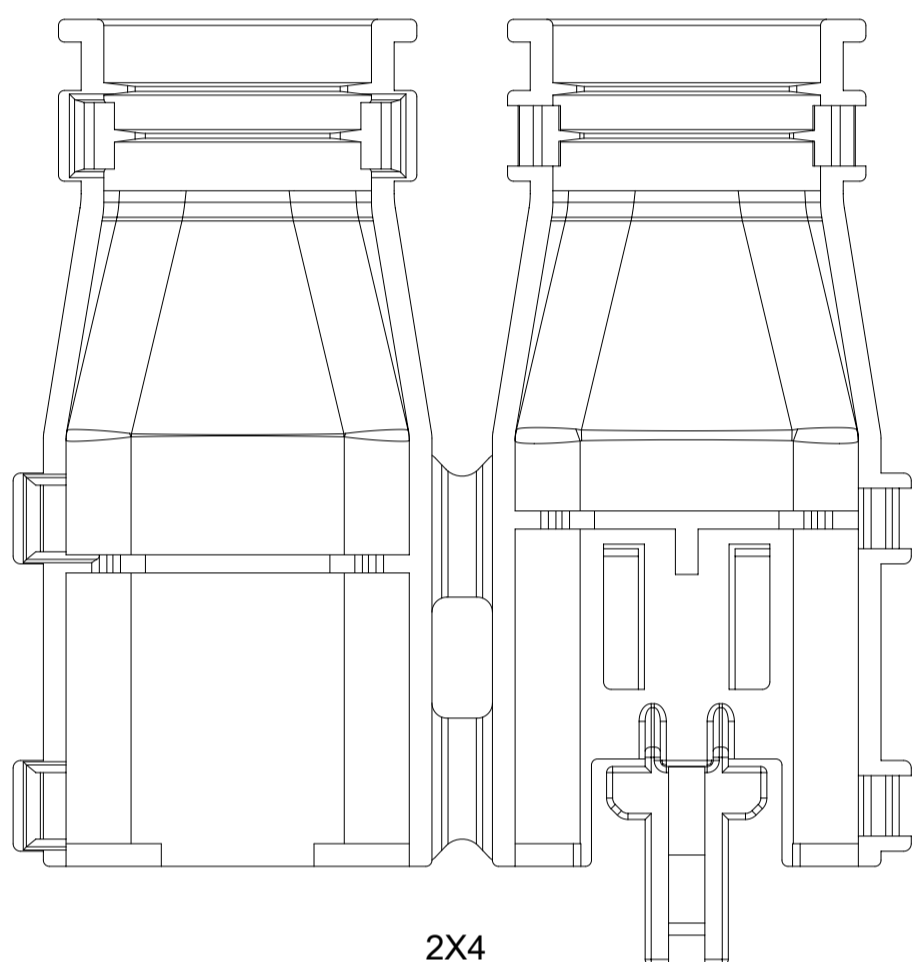
2X3  
SCHLEMMER



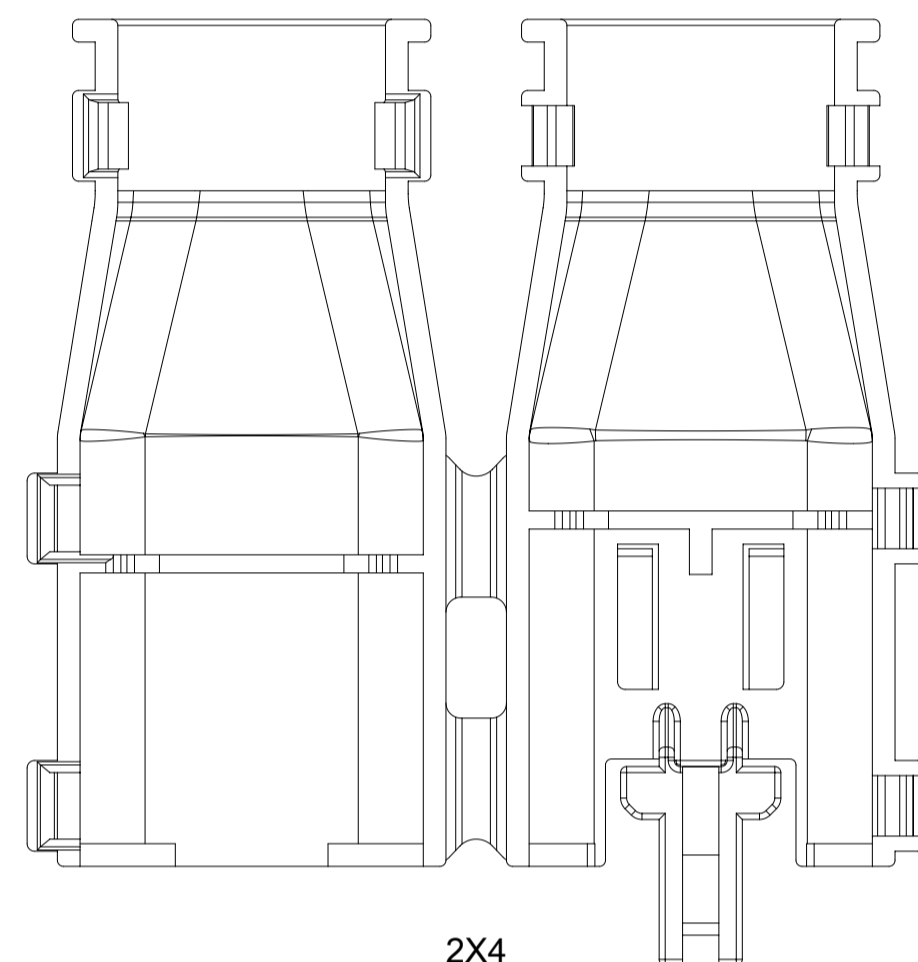
2X6  
SCHLEMMER



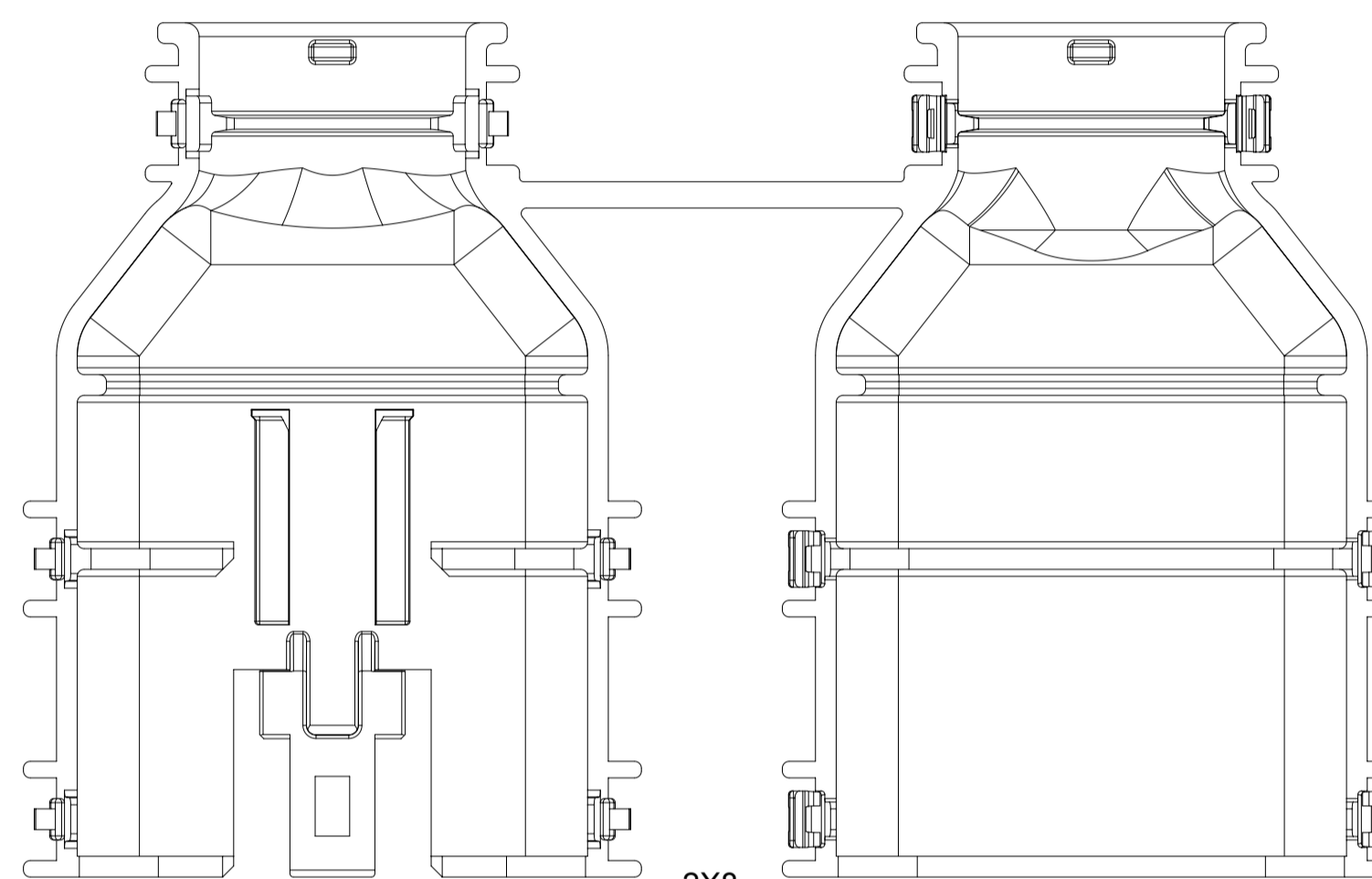
2X6  
SCHLEMMER



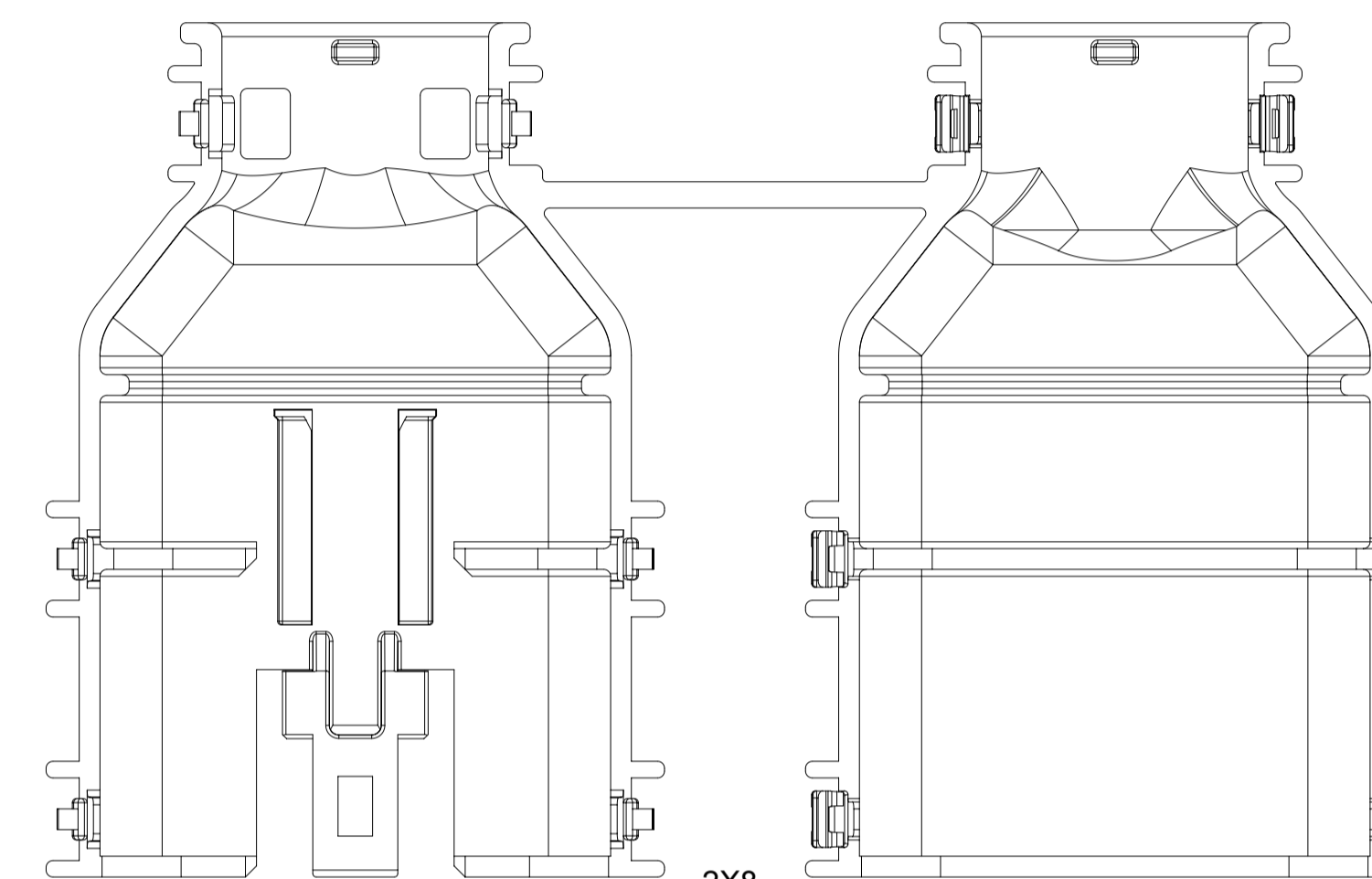
2X4  
SCHLEMMER



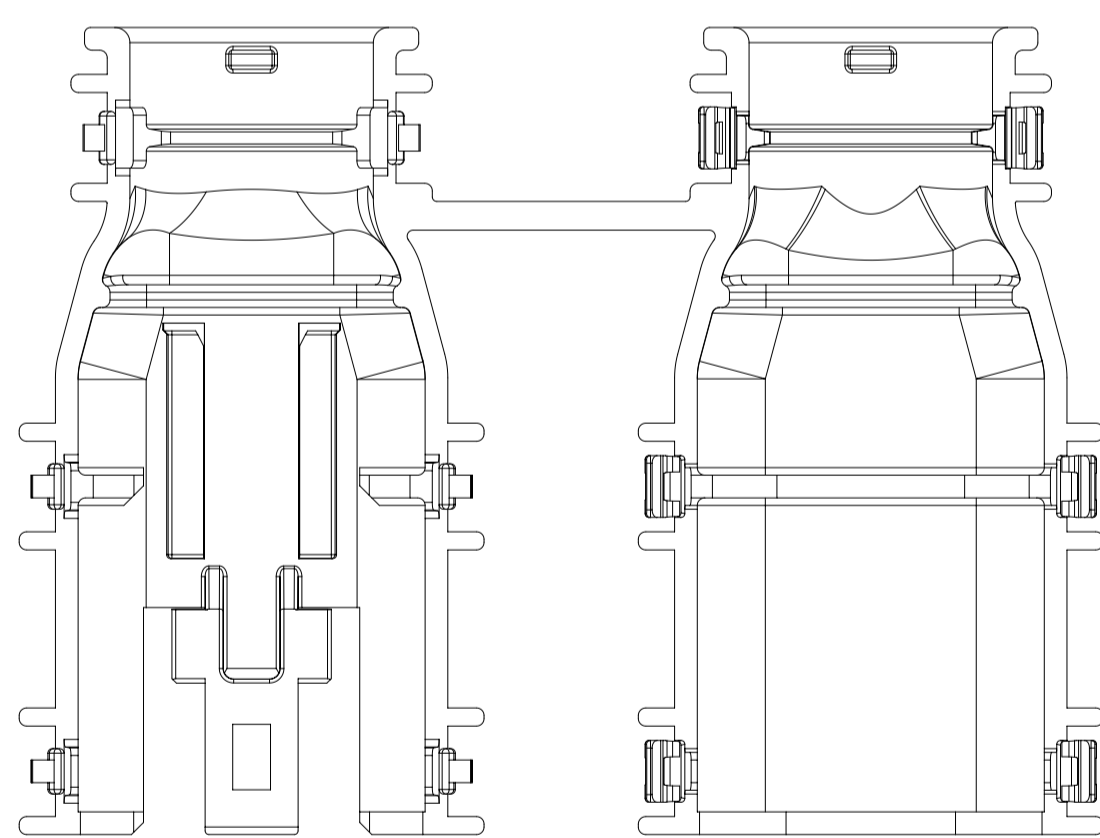
2X4  
SCHLEMMER



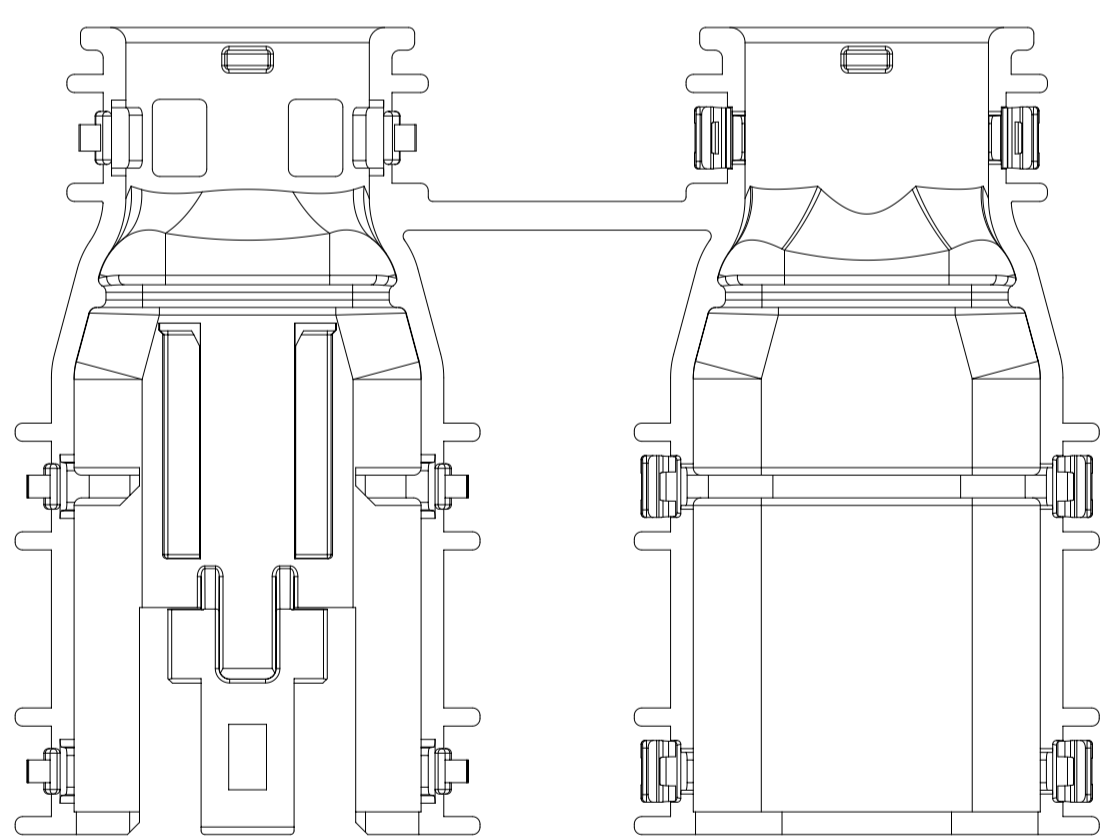
2X8  
MOLEX



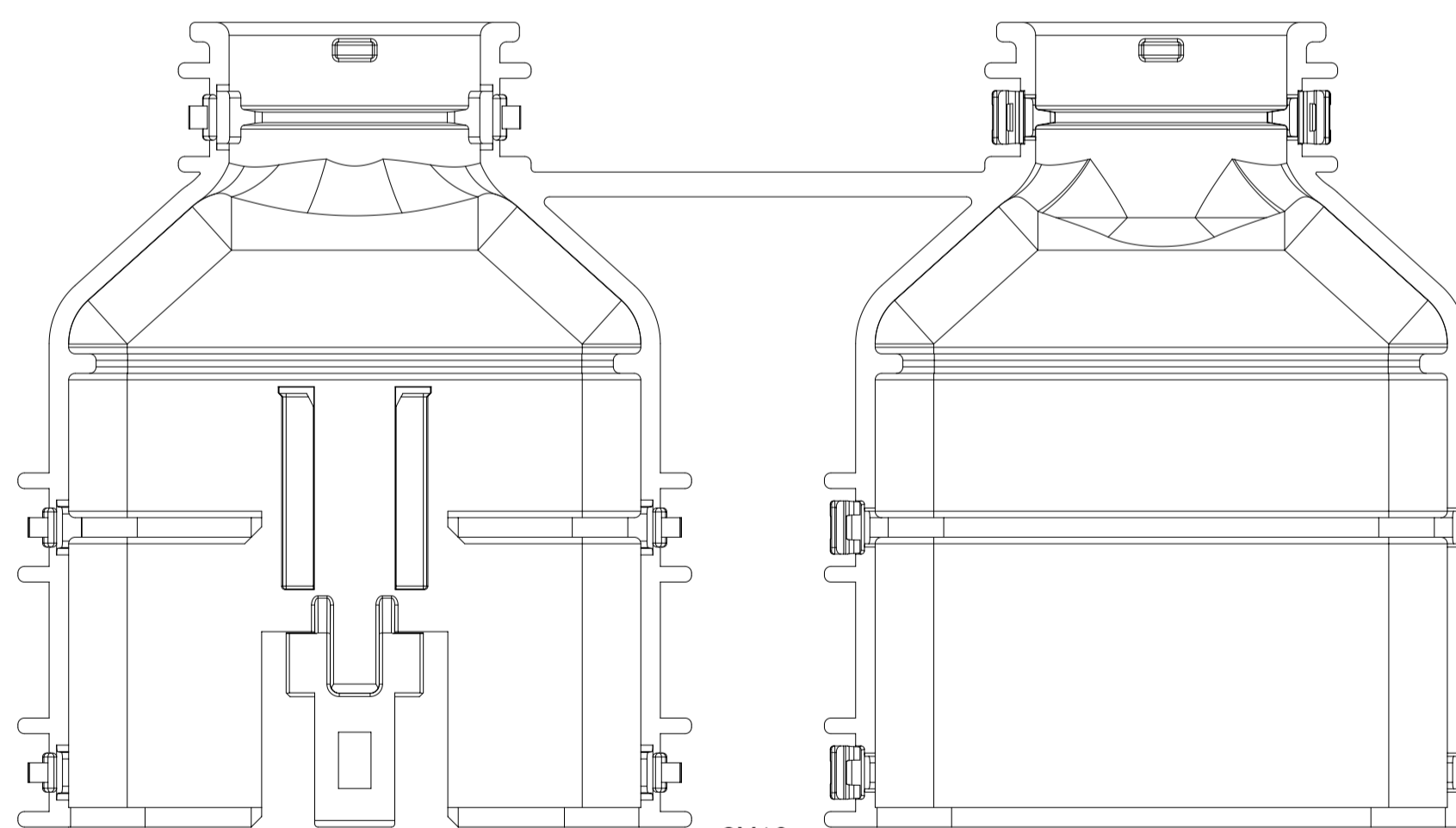
2X8  
MOLEX



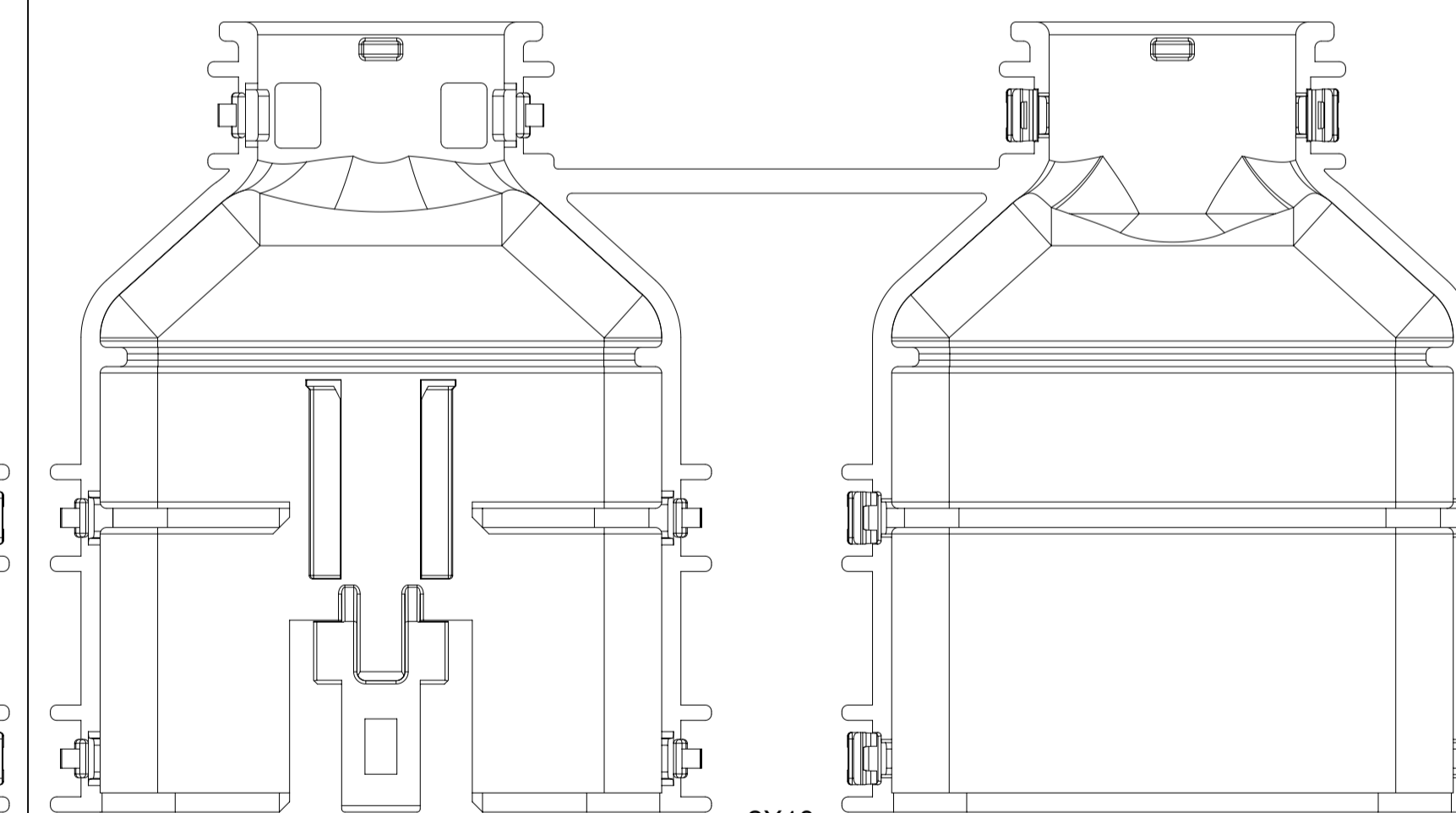
2X4  
MOLEX



2X4  
MOLEX



2X10  
MOLEX

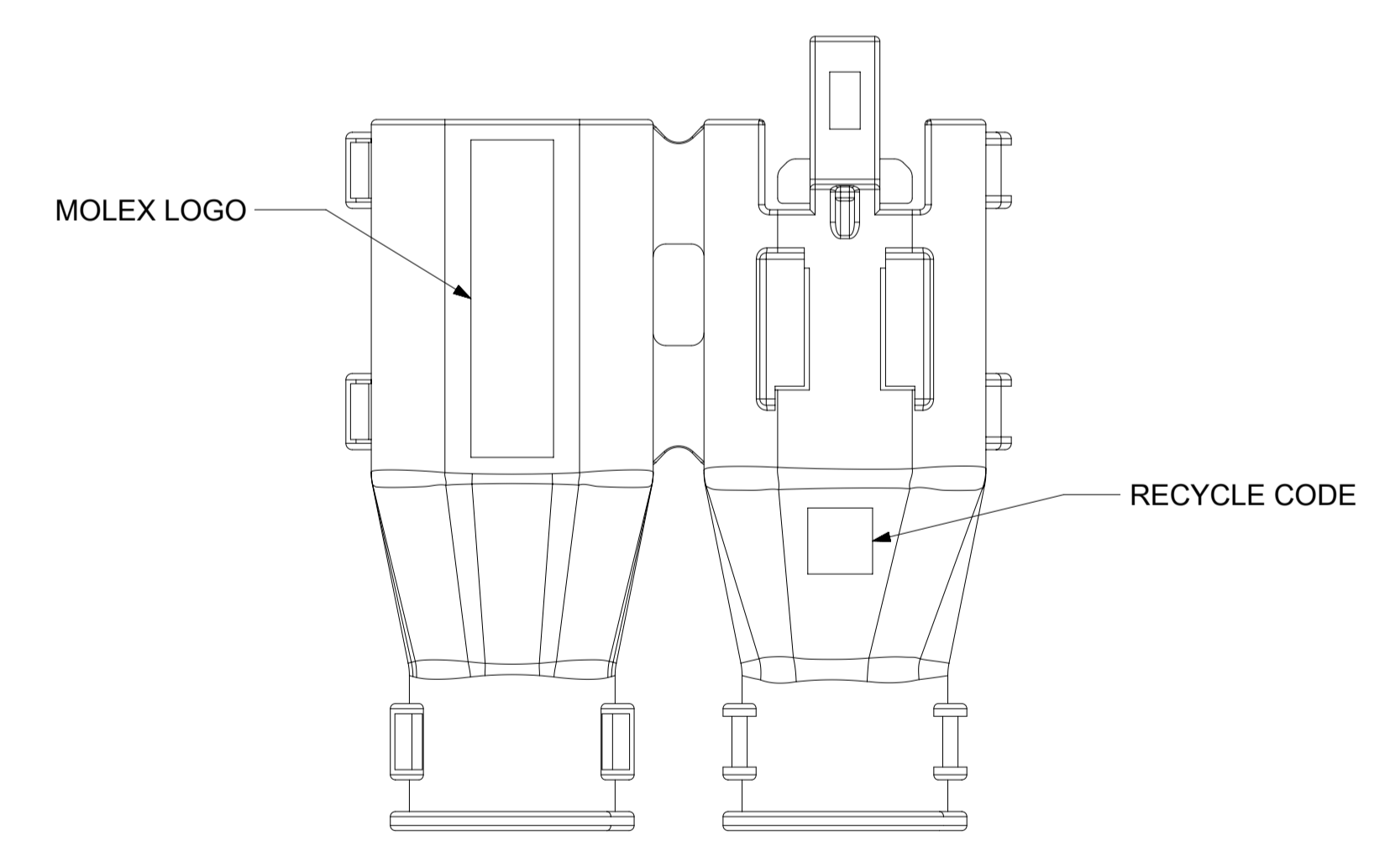
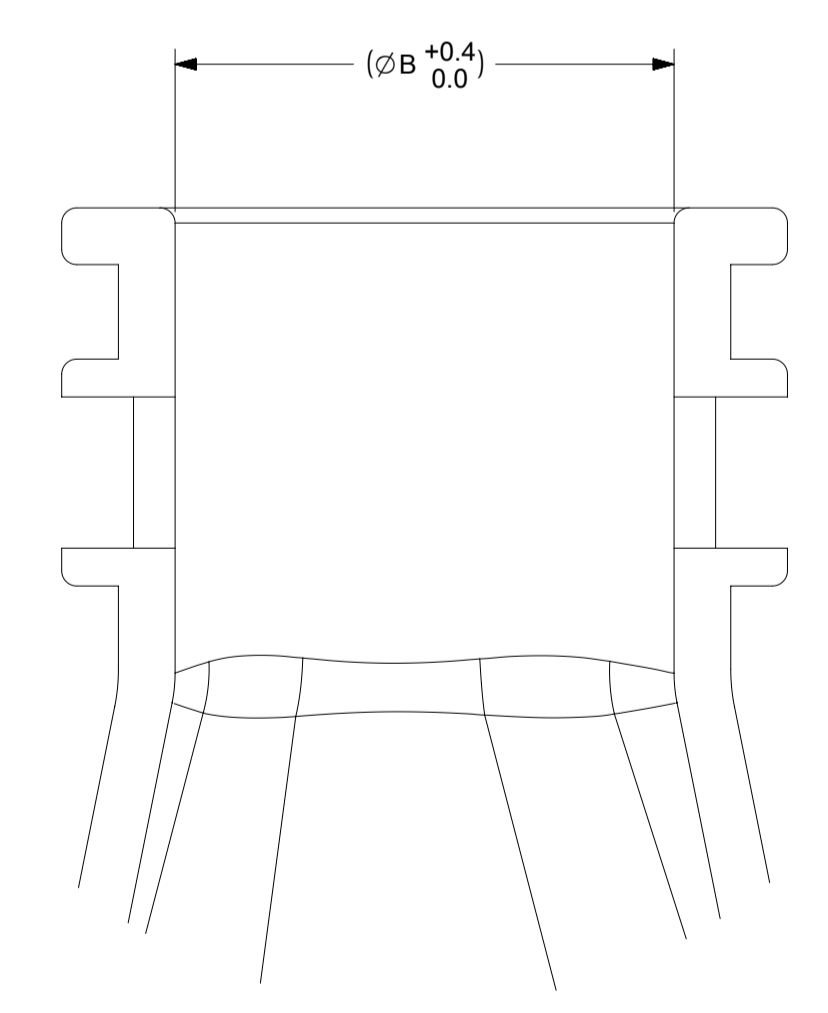
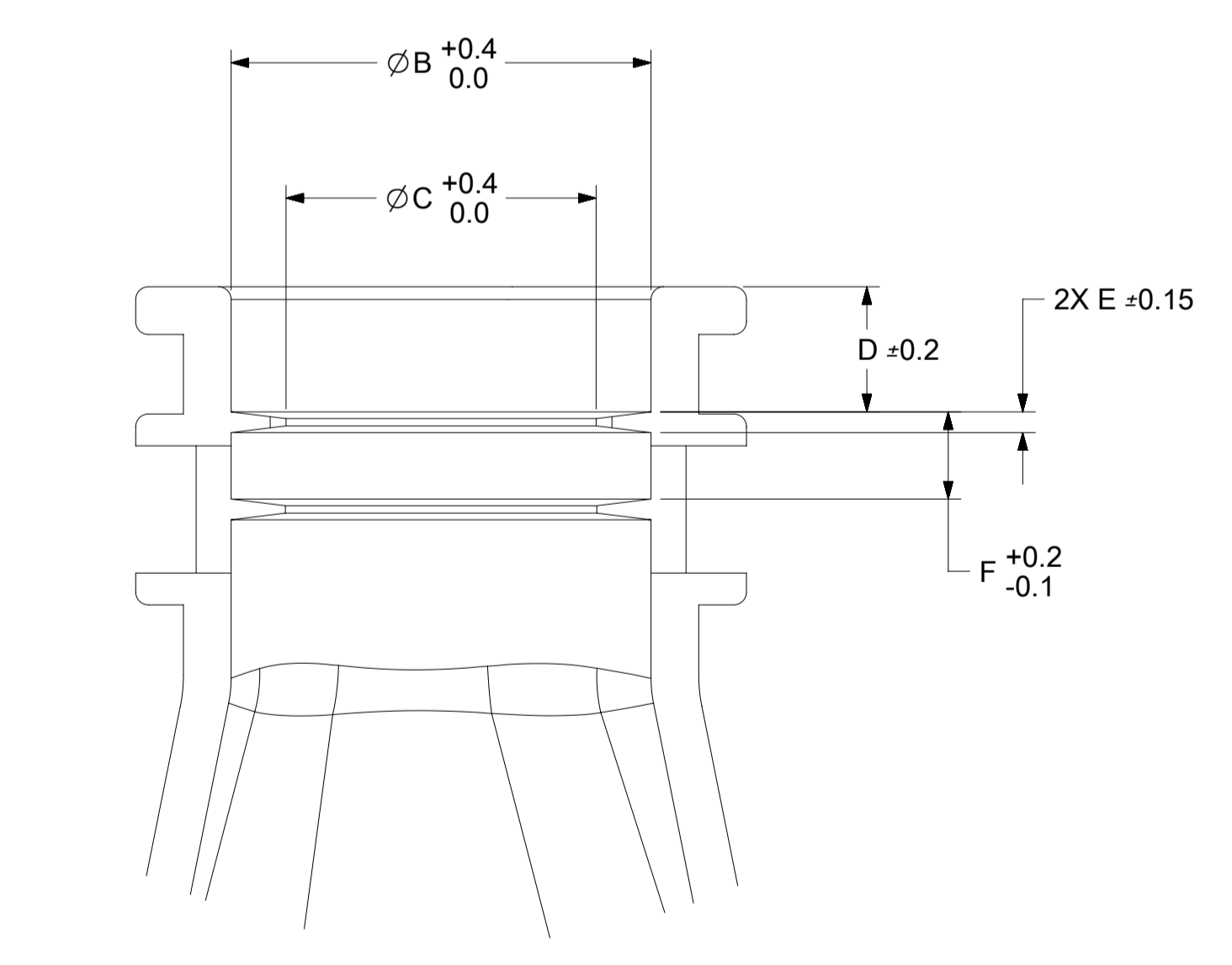
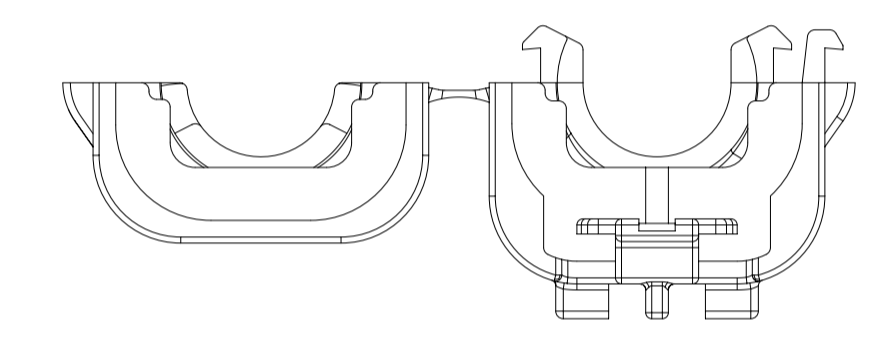
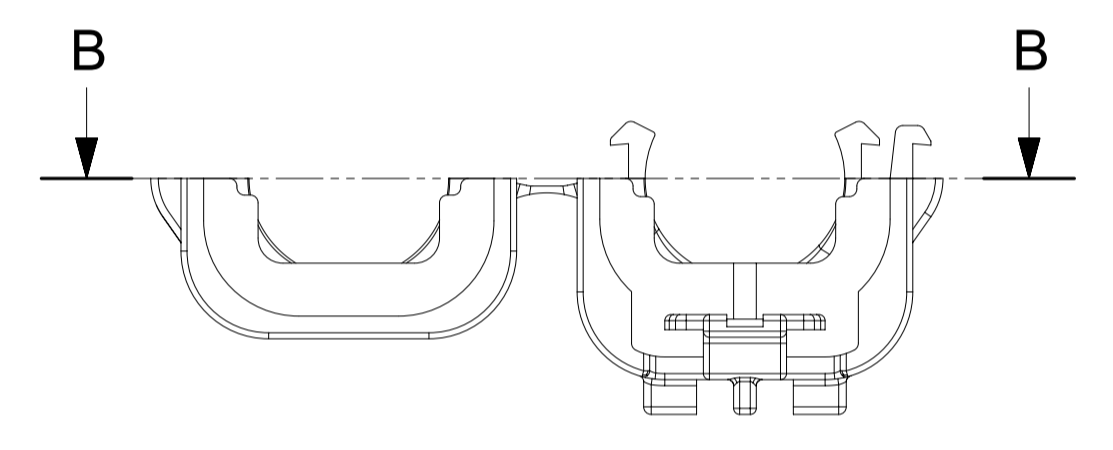
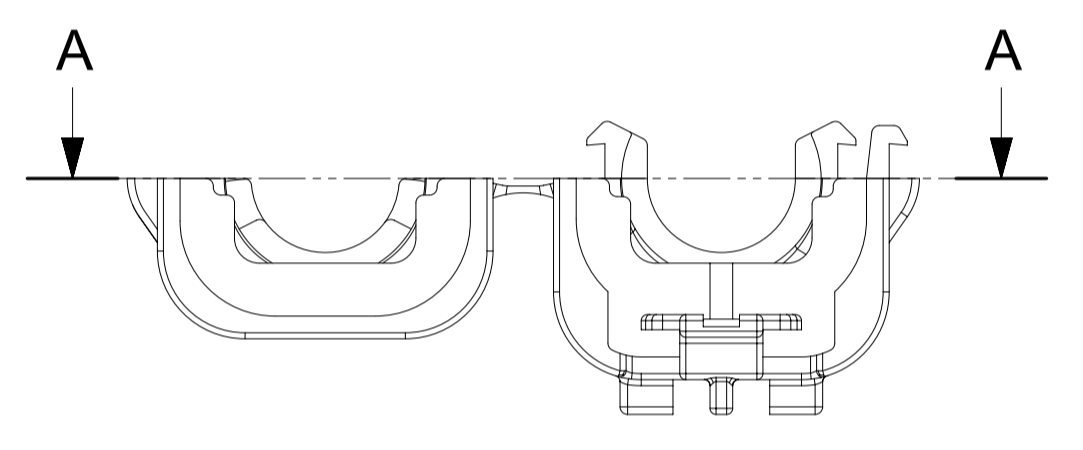
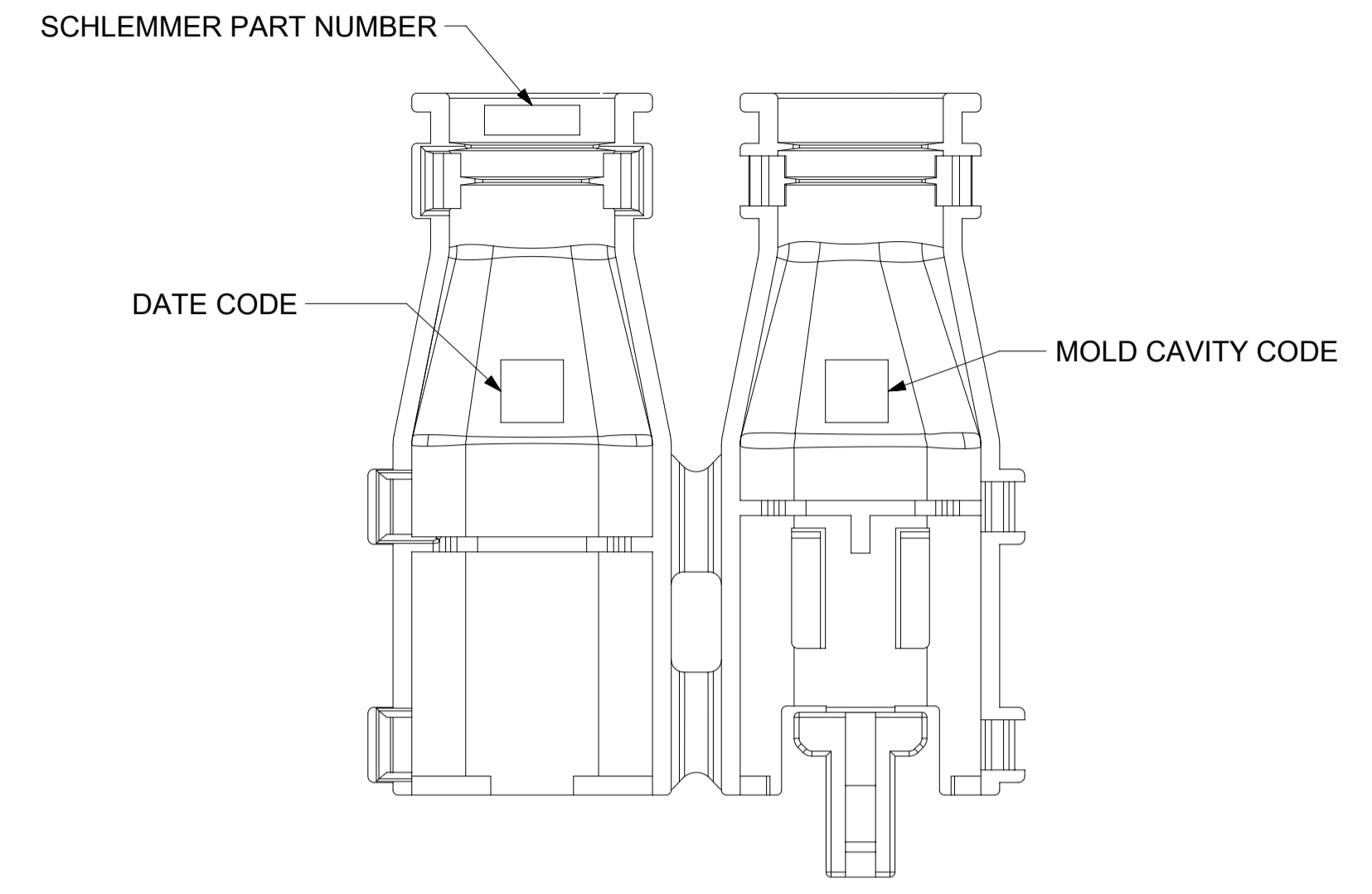
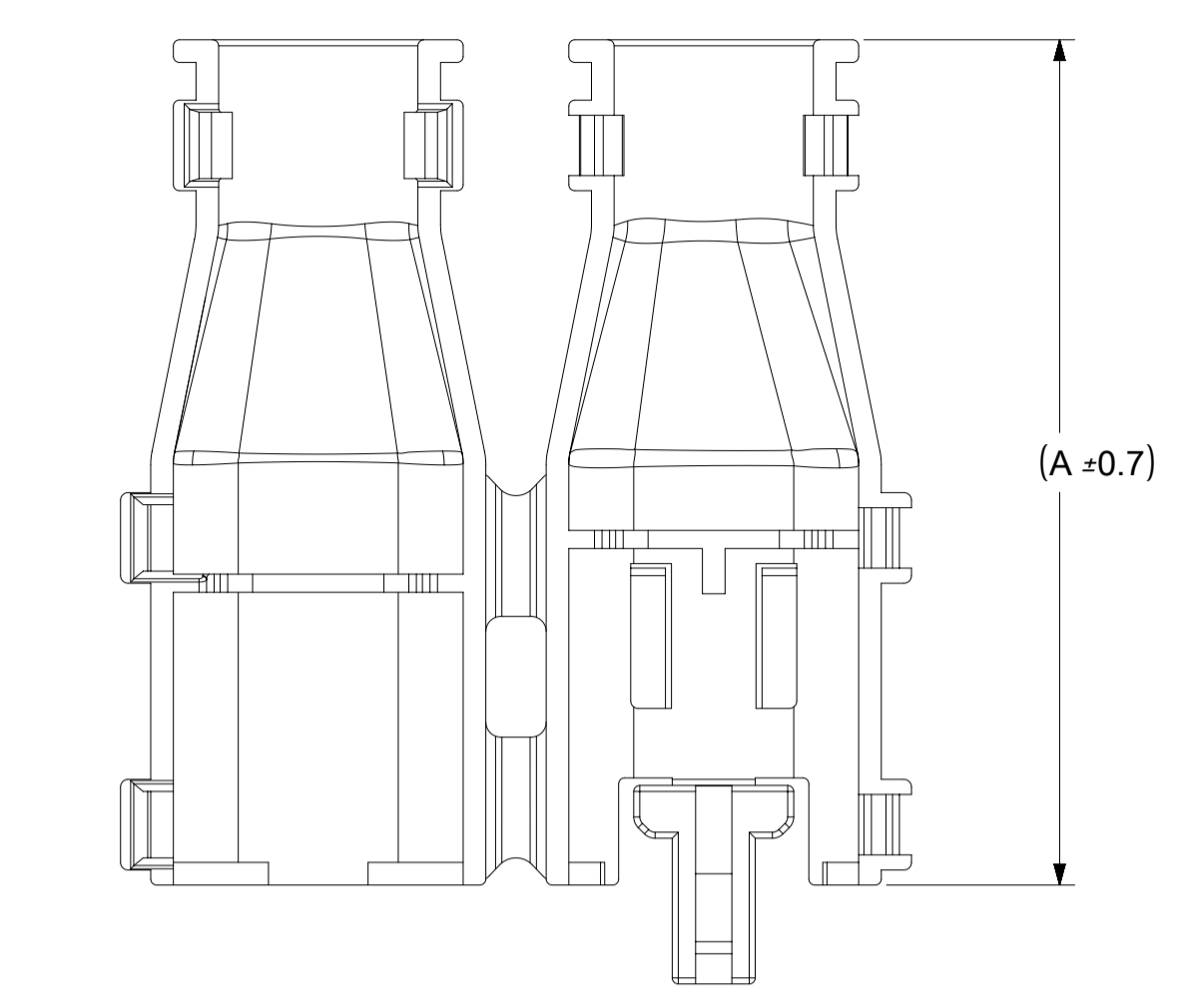
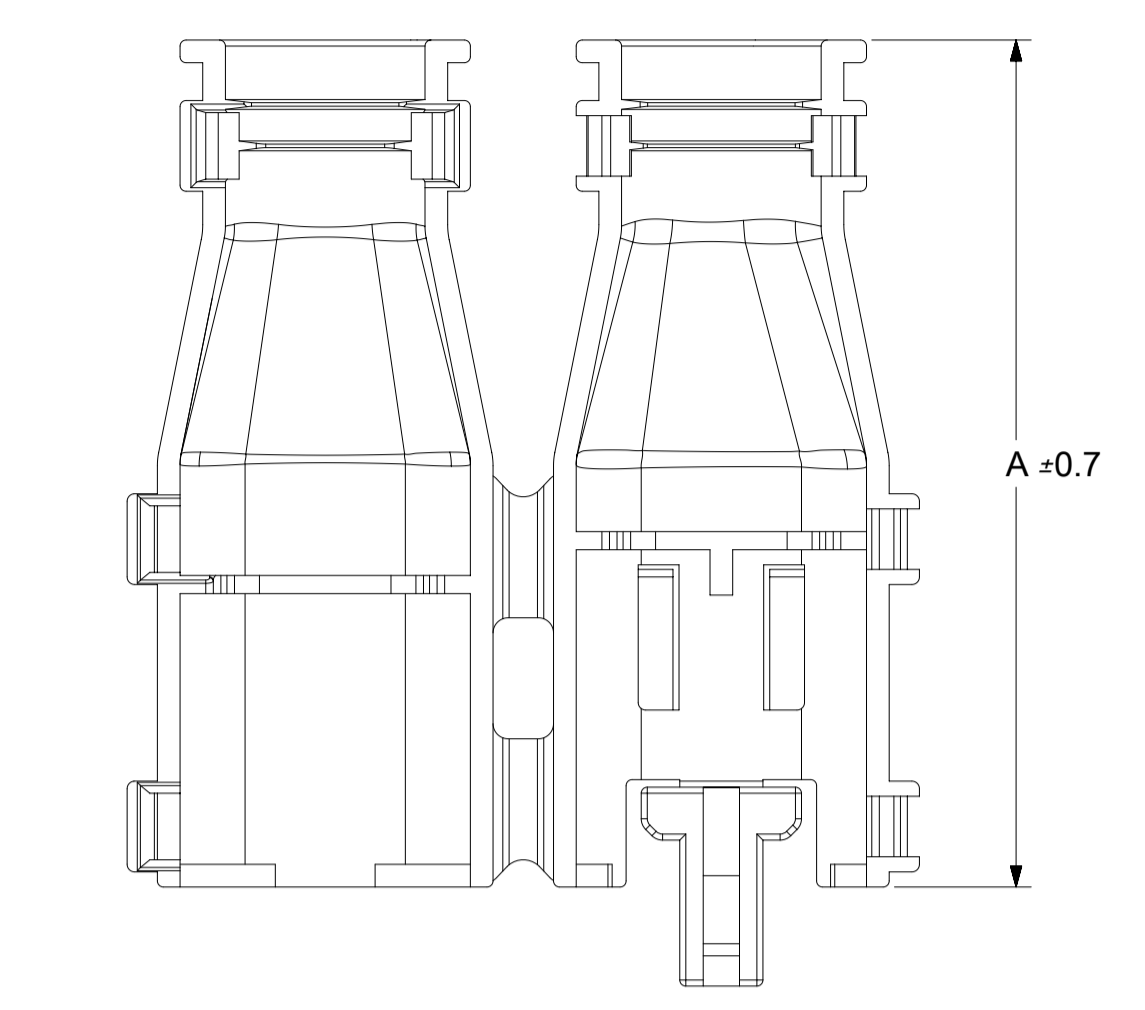


2X10  
MOLEX

<b>QUALITY SYMBOLS</b> 	THIS DRAWING CONTAINS INFORMATION THAT IS PROPRIETARY TO MOLEX ELECTRONIC TECHNOLOGIES, LLC AND SHOULD NOT BE USED WITHOUT WRITTEN PERMISSION			
	EC NO: 169628 DRWN: DDEB CHKD: REV APPR: MIVANSLAMBROU	2017/12/15 2017/12/20	GENERAL TOLERANCES (UNLESS SPECIFIED) ANGULAR TOL ± 3.0 ° 4 PLACES ± 3 PLACES ± 2 PLACES ± 0.1 1 PLACE ± 0.2 0 PLACES ± DRAFT WHERE APPLICABLE MUST REMAIN WITHIN DIMENSIONS	DIMENSION UNITS: mm SCALE: 2:1 DRWN BY: KBORUSZEWSKI DATE: 2015/05/11 CHK'D BY: CHKD BY DATE: APPR BY: VKOSHY DATE: 2015/05/12 DRAWING SIZE: A1 THIRD ANGLE PROJECTION
RELEASE STATUS: P1 RELEASE DATE: 20.12.2017 21:50:29	SERIES: 34950 DOCUMENT NUMBER: SD-34950-001	MATERIAL NUMBER: PSD DOC TYPE: 001	CUSTOMER: GENERAL MARKET SHEET NUMBER: 2 OF 4	

SHEET DESCRIPTION	
SCHLEMMER BACKSHELL DETAIL	

PART NUMBER	DIMENSIONS					
	A	B	C	D	E	F
2X3, WITH RIB	56.00	13.20	9.75	3.93	0.65	2.74
2X3, WITHOUT RIB	56.00	13.20	N/A	N/A	N/A	N/A
2X4, WITH RIB	TBD	TBD	TBD	TBD	TBD	TBD
2X4, WITHOUT RIB	TBD	TBD	TBD	TBD	TBD	TBD
2X6, WITH RIB	56.00	17.70	13.56	4.19	0.83	3.10
2X6, WITHOUT RIB	56.00	17.70	N/A	N/A	N/A	N/A



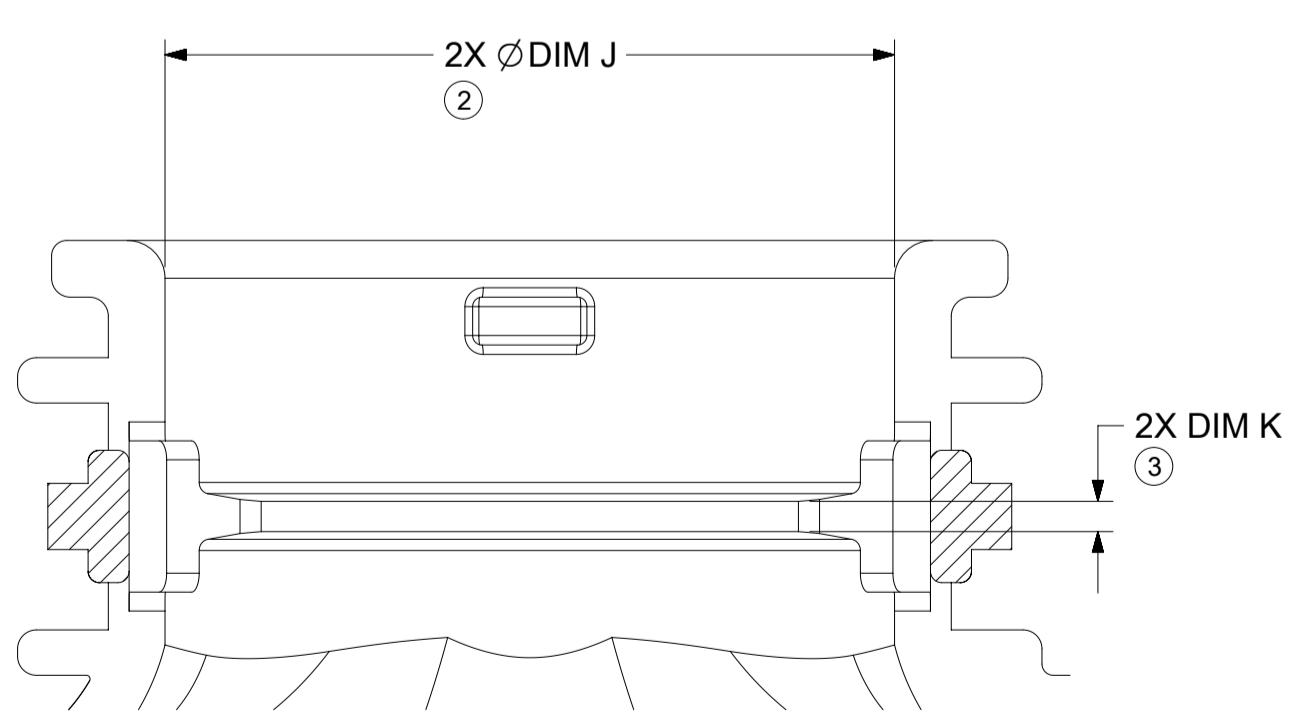
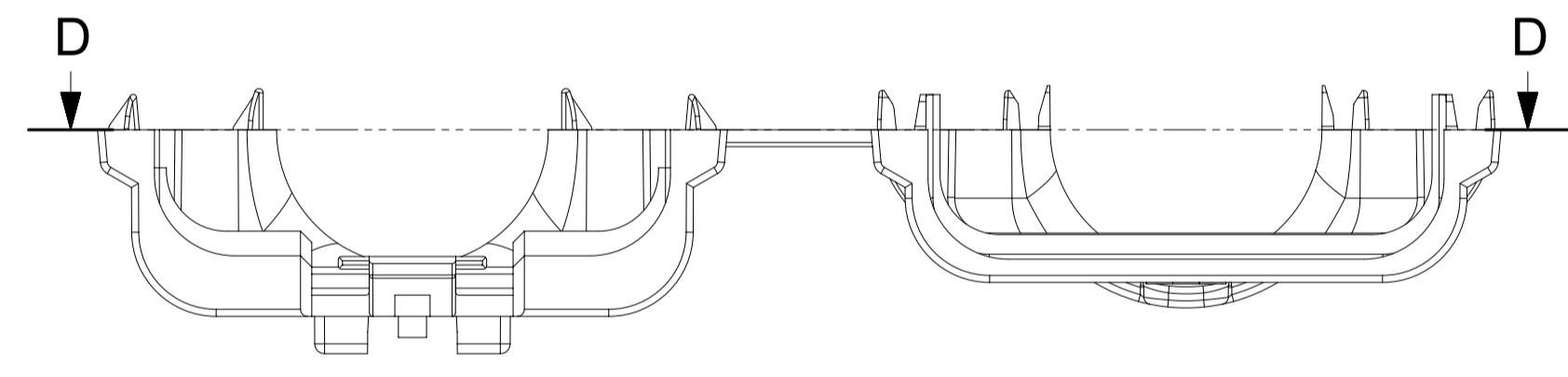
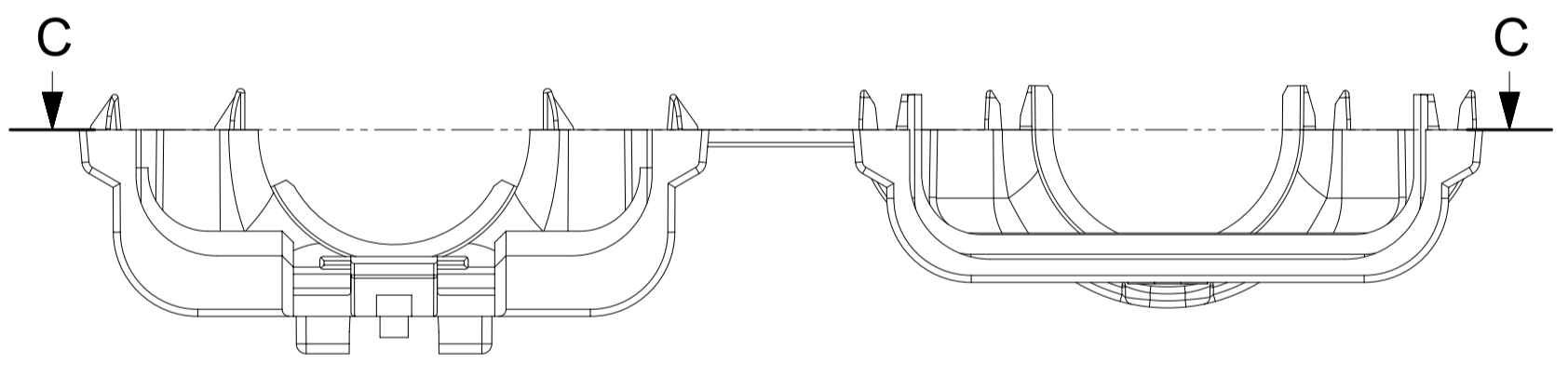
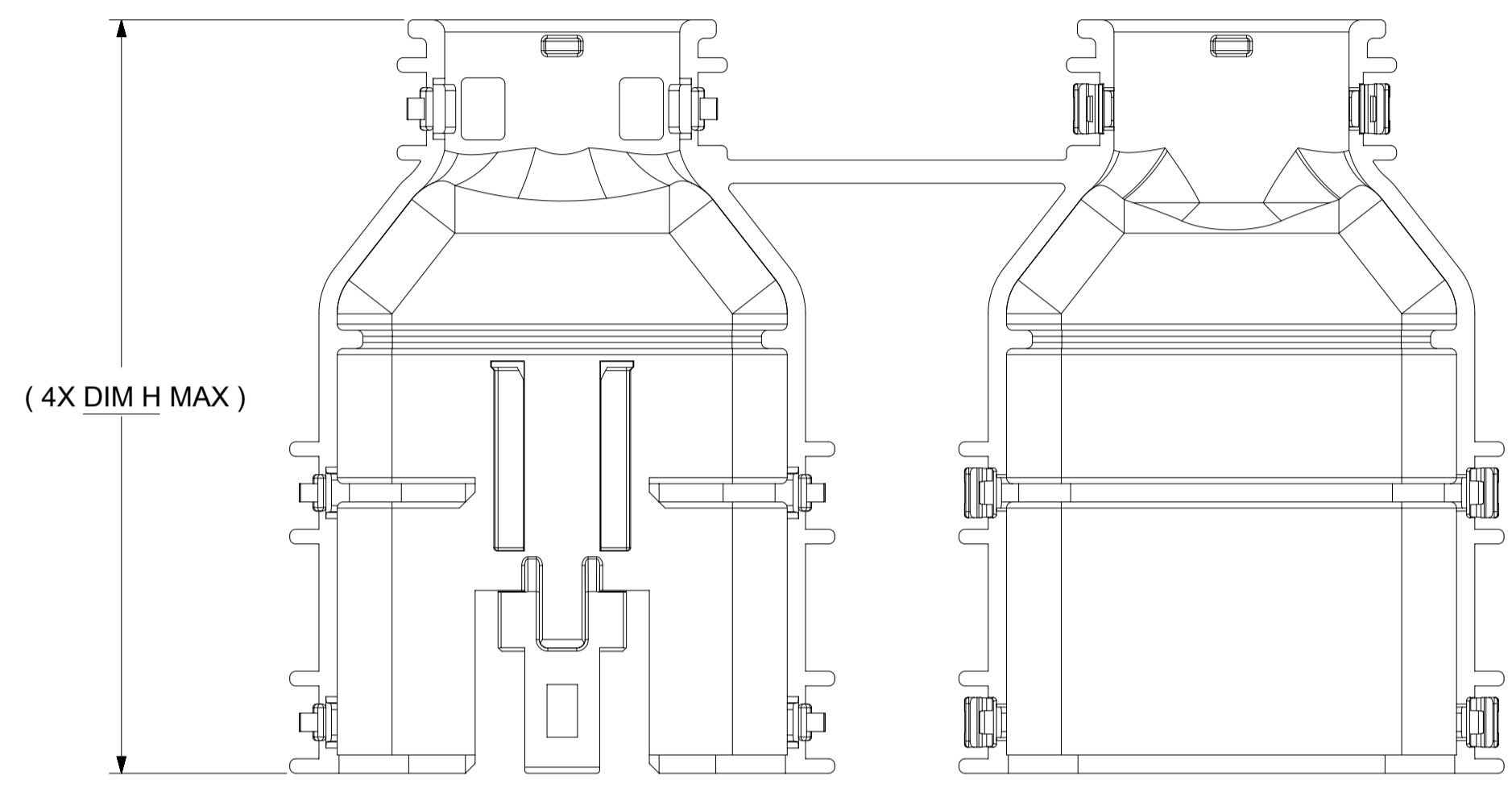
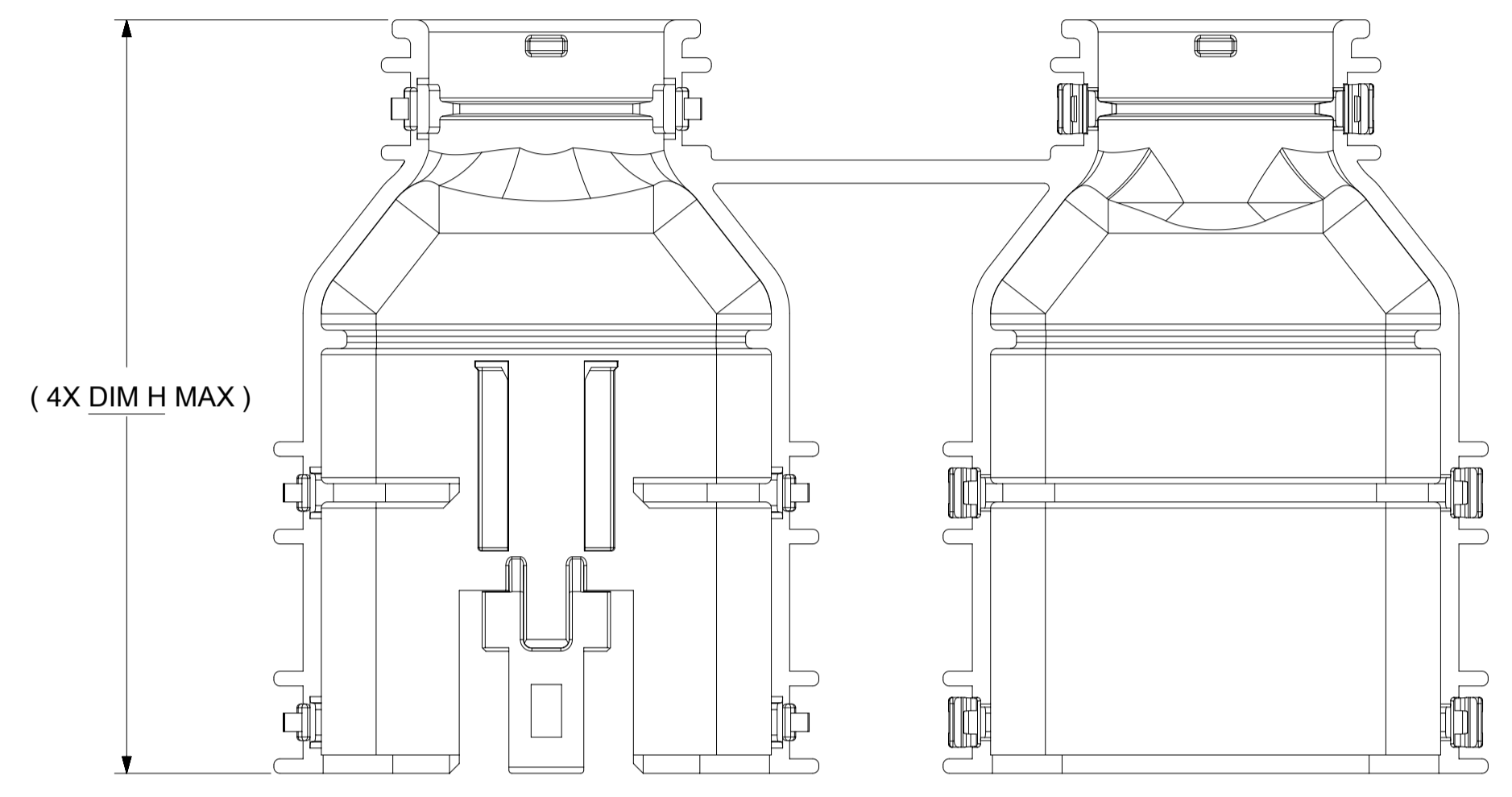
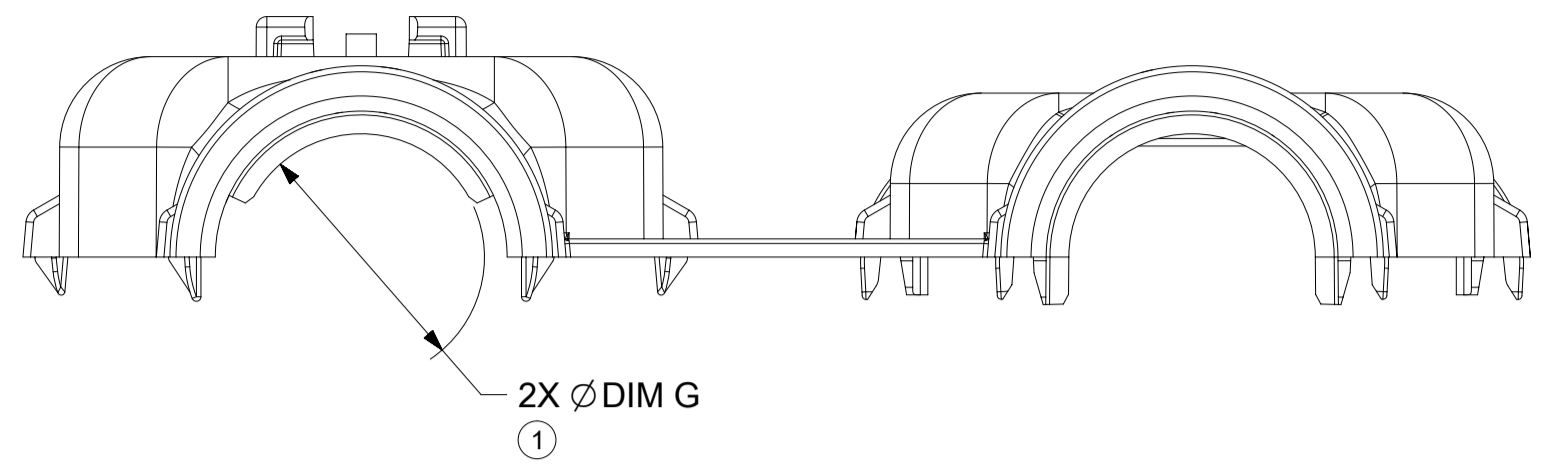
PARTIAL SECTION A-A  
SCALE 5:1  
WITH RIBS

PARTIAL SECTION B-B  
SCALE 5:1  
WITHOUT RIBS

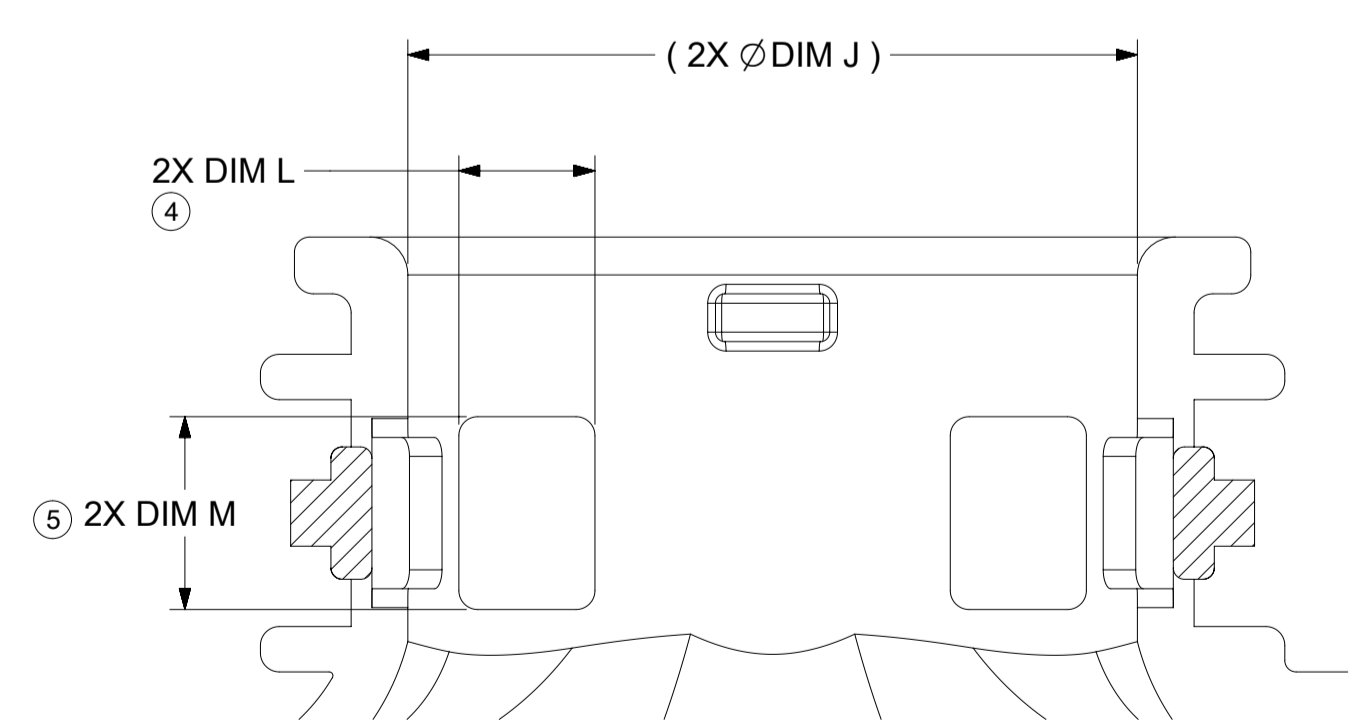
THIS DRAWING CONTAINS INFORMATION THAT IS PROPRIETARY TO MOLEX ELECTRONIC TECHNOLOGIES, LLC AND SHOULD NOT BE USED WITHOUT WRITTEN PERMISSION												
QUALITY SYMBOLS	EC NO: 169628 DRWN: DDEB CHKD: APPR: MIVANSAMBROU	2017/12/15 2017/12/20	GENERAL TOLERANCES (UNLESS SPECIFIED)		DIMENSION UNITS	SCALE						
			ANGULAR TOL ± 3.0 °		mm	2:1						
▽ = 0 ▽ = 0 ▽ = 0 ▽ = 0 ▽ = 0 ▽ = 0 ▽ = 0 ▽ = 0	4 PLACES ± 3 PLACES ± 2 PLACES ± 0.1 1 PLACE ± 0.2 0 PLACES ±	DRWN BY KBORUSZEWSKI	DATE 2015/05/11	CHKD BY CHKD BY		DATE 2015/05/12						
DRAFT WHERE APPLICABLE MUST REMAIN WITHIN DIMENSIONS		DRAWING SIZE	THIRD ANGLE PROJECTION	PRODUCT CUSTOMER DRAWING								
RELEASE STATUS P1 RELEASE DATE 20.12.2017 21:50:29		B2		A1	SERIES 34950 MATERIAL NUMBER SD-34950-0001 CUSTOMER GENERAL MARKET		DOCUMENT NUMBER PSD DOC PART 001 SHEET NUMBER 3 OF 4					

**SHEET DESCRIPTION**  
MOLEX BACKSHELL DETAIL

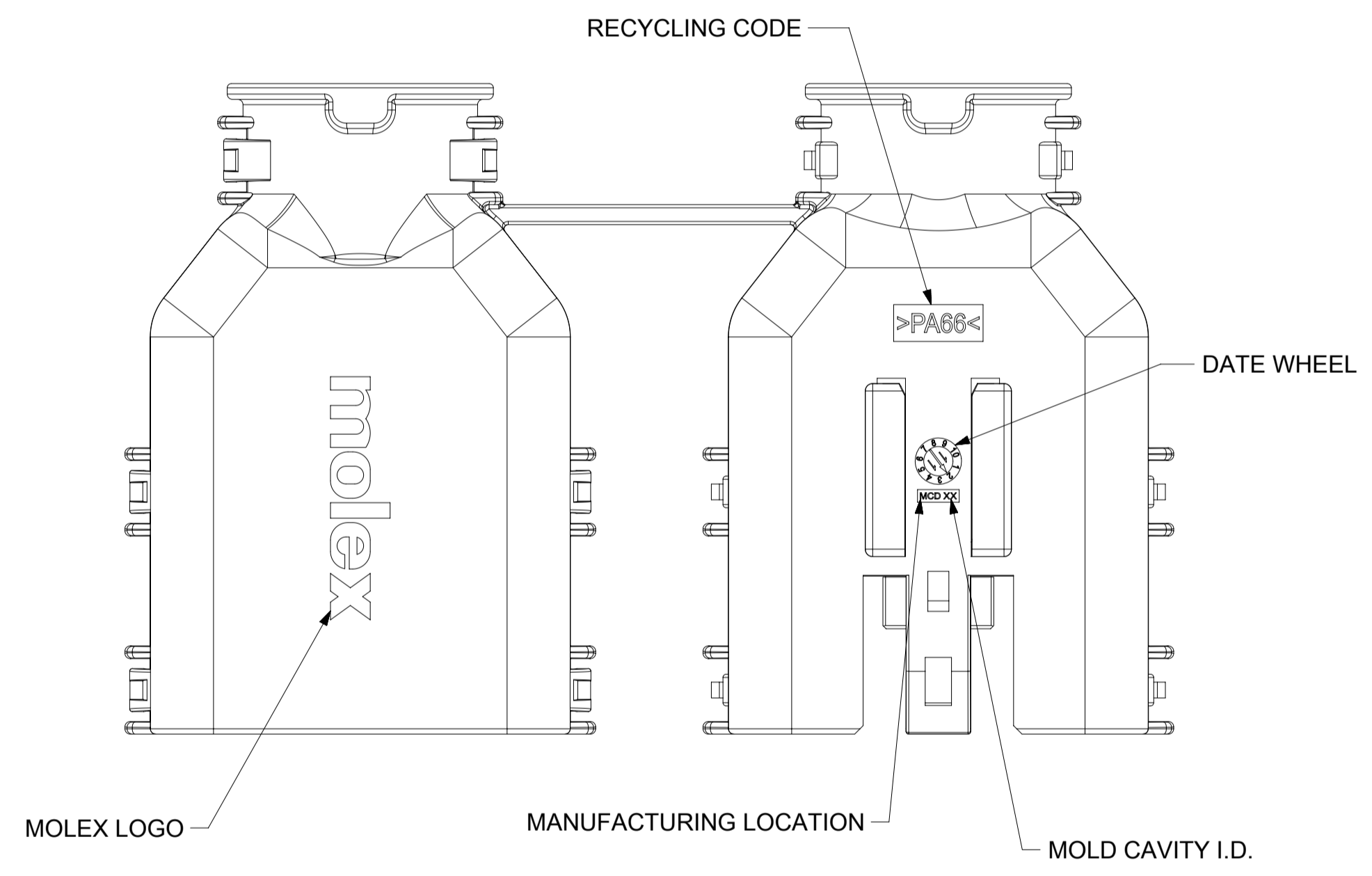
DESCRIPTION	CHARTED DIMENSION					
	G	H	J	K	L	M
2X4, WITH RIB	13.31	53.56	16.10	0.80	N/A	N/A
2X4, WITHOUT RIB	N/A	53.56	16.10	N/A	3.60	5.10
2X8, WITH RIB	16.30	62.01	19.30	0.80	N/A	N/A
2X8, WITHOUT RIB	N/A	62.01	19.30	N/A	3.60	5.10
2X10, WITH RIB	16.30	62.01	19.30	0.80	N/A	N/A
2X10, WITHOUT RIB	N/A	62.01	19.30	N/A	3.60	5.10



PARTIAL SECTION C-C  
SCALE 5:1  
WITH RIBS



PARTIAL SECTION D-D  
SCALE 5:1  
WITHOUT RIBS



<b>QUALITY SYMBOLS</b> FA = 0 FE = 0 FE = 0 ▼ = 0 C = 0 ☒ = 0 ■ = 0 ∇ = 0	THIS DRAWING CONTAINS INFORMATION THAT IS PROPRIETARY TO MOLEX ELECTRONIC TECHNOLOGIES, LLC AND SHOULD NOT BE USED WITHOUT WRITTEN PERMISSION			
	EC NO: 169628 DRWN: DDEB CHKD: REV: APPR: MIVANSLAMBROU	2017/12/15 2017/12/20	<b>GENERAL TOLERANCES (UNLESS SPECIFIED)</b> DIMENSION UNITS: mm SCALE: 2:1 DRWN BY: KBORUSZEWSKI DATE: 2015/05/11 CHK'D BY: CHKD BY DATE: APPR BY: VKOSHY DATE: 2015/05/12	<b>molex®</b>  MX150 DUAL ROW BLADE BACKSHELLS  PRODUCT CUSTOMER DRAWING
<b>B2</b>	DRAFT WHERE APPLICABLE MUST REMAIN WITHIN DIMENSIONS	DRAWING SIZE: A1 THIRD ANGLE PROJECTION	DOCUMENT NUMBER: SD-34950-0001 DOC TYPE: PSD DOC PART: 001 SHEET NUMBER: 4 OF 4	