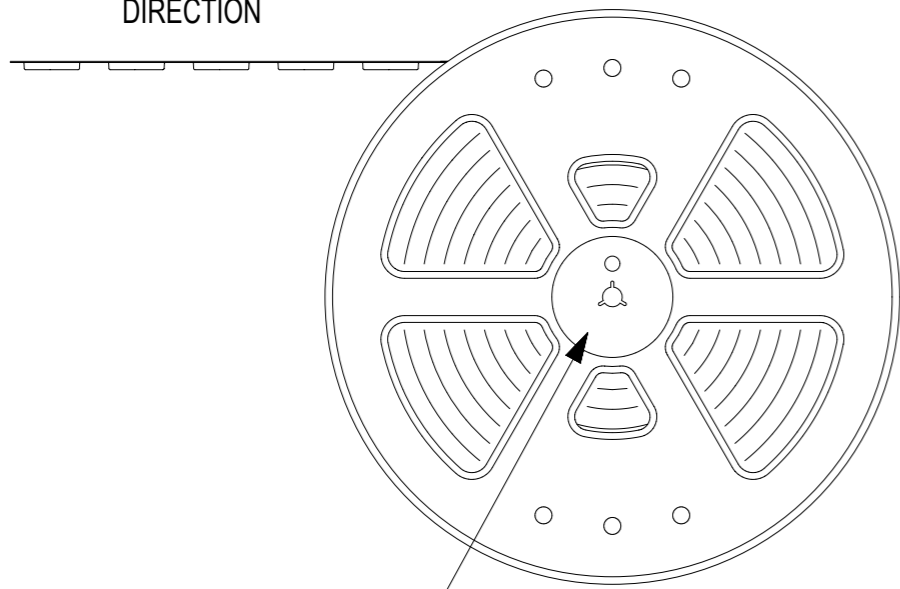
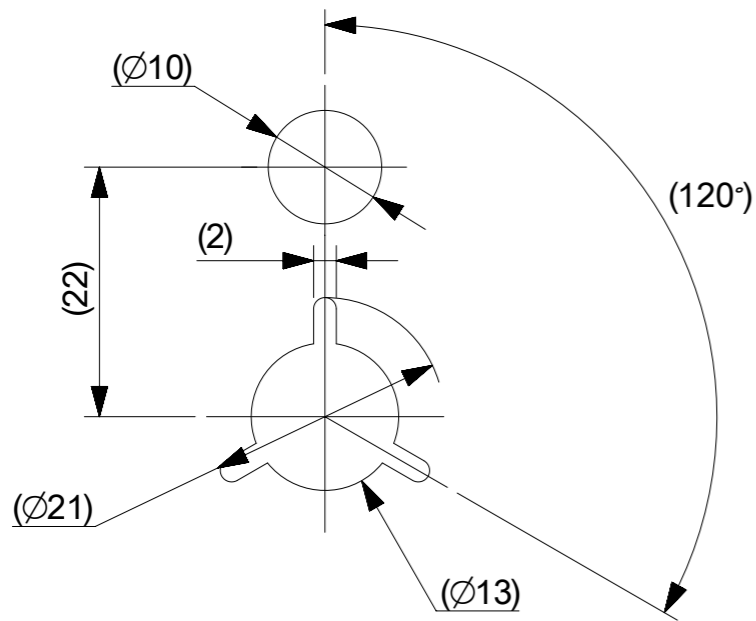
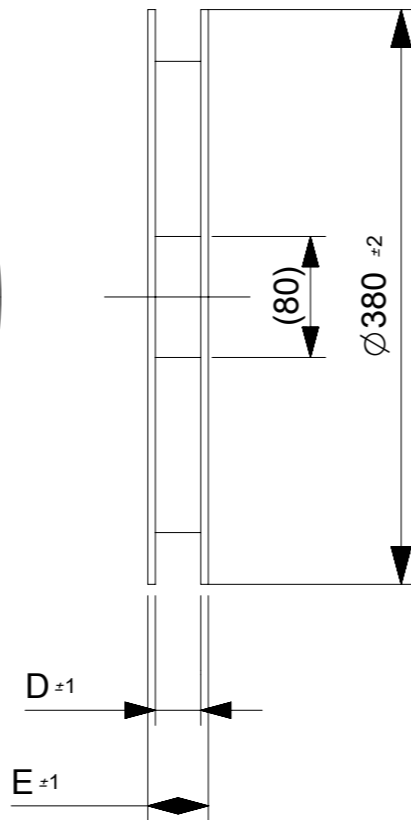


引き出し方向

PULL OUT
DIRECTION



"E"

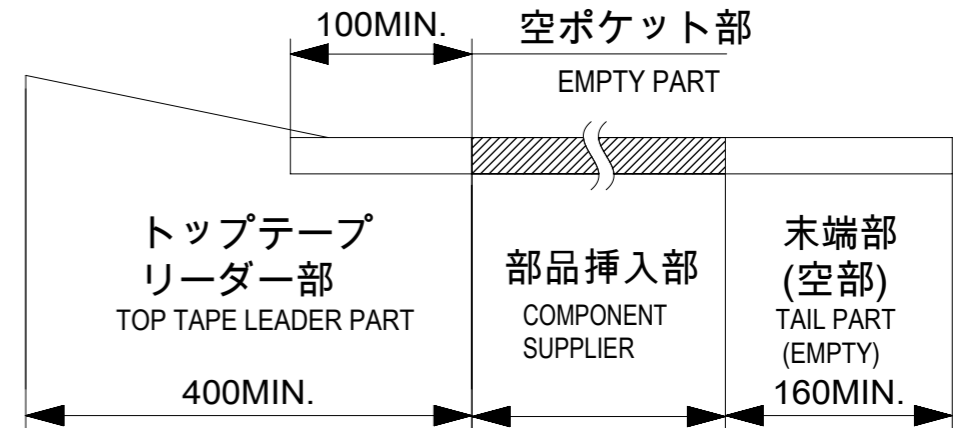


DETAIL "E"

NOTES

1. 梱包数量 : 3000個 / リール
NUMBER OF CONNECTORS : 3000 PCS/REEL.
2. リードテープ長さ
LEAD TAPE LENGTH

引き出し方向
PULL OUT
DIRECTION



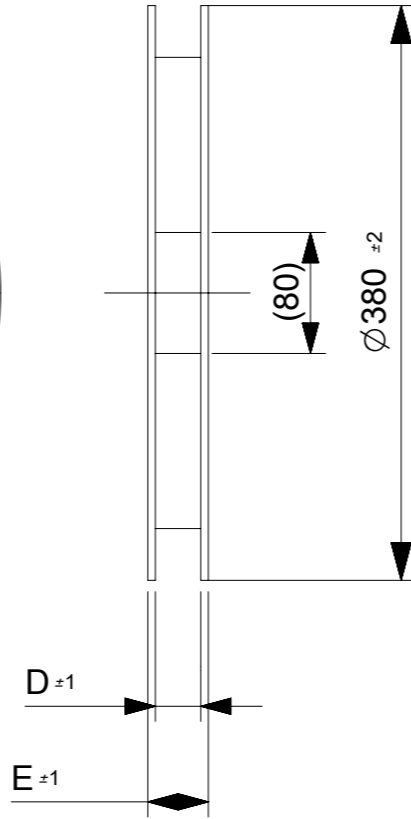
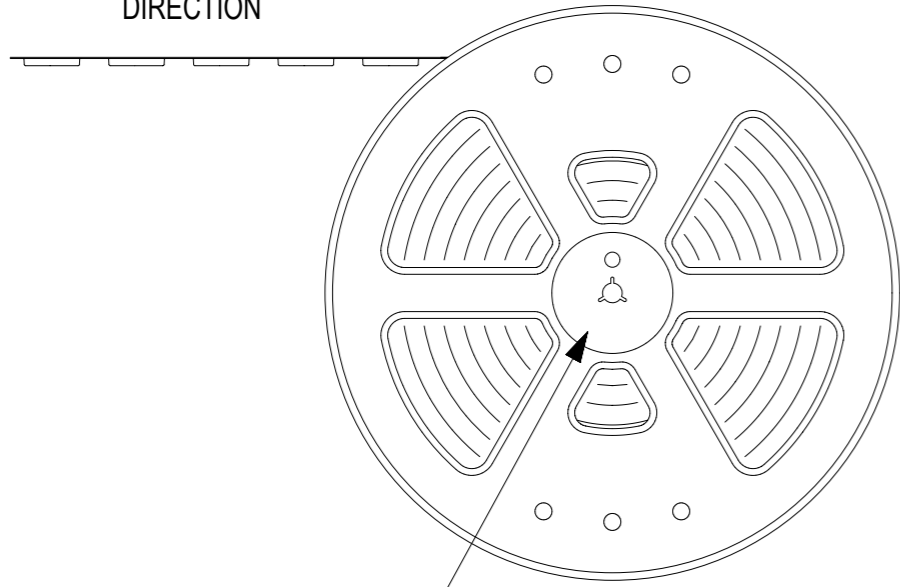
3. カバーテープの剥離強度については、IEC60286-3に準拠。
COVER TAPE PEEL FORCE IS DEFINED BY IEC 60286-3.
4. 製品詳細寸法については、図面 2005281000-000を参照下さい。
FOR DIMENTIONS OF PRODUCT, REFER TO 2005281000-000.
5. 材料 MATERIAL
キャリアテープ : ポリスチレン
CARRIER TAPE : POLYSTYRENE
トップテープ : ポリエチレンテレフタレート、ポリエチレン
TOP TAPE : POLYETHYLENE TEREHTHALATE, POLYETHYLENE
リール : ポリスチレン<リサイクル材を含む>
6. ELV及びRoHS適合品 ELV AND RoHS COMPLIANT.

THIS DRAWING CONTAINS INFORMATION THAT IS PROPRIETARY TO MOLEX ELECTRONIC TECHNOLOGIES, LLC AND SHOULD NOT BE USED WITHOUT WRITTEN PERMISSION

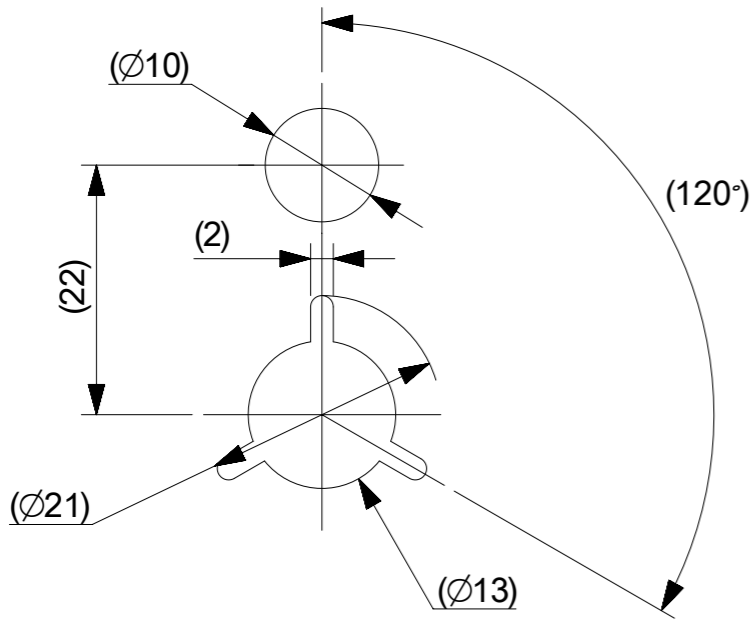
REVISED	EC NO: 103009	2016/02/09	GENERAL TOLERANCES (UNLESS SPECIFIED)	DIMENSION UNITS	SCALE	molex			
	DRWN: MTAKAHASHI04	2016/02/19	ANGULAR TOL ± 1.0 °	MM	2:1				
	CHK'D: KTAKAHASHI	2016/02/19	4 PLACES ± 0.05	DRWN BY	DATE	PRODUCT CUSTOMER DRAWING			
	APPR: TKUSUHARA01	2016/02/19	3 PLACES ± 0.1	MTAKAHASHI04	2015/12/22				
			2 PLACES ± 0.2	KTAKAHASHI	2015/12/25	200528	SEE CHART	GENERAL	
		1 PLACE ± 0.2	YNOGAWA	2016/01/04	DOCUMENT NUMBER DOC TYPE DOC PART SHEET NUMBER				
		0 PLACES ± 0.2	DRAFT WHERE APPLICABLE MUST REMAIN WITHIN DIMENSIONS	DRAWING SIZE	THIRD ANGLE PROJECTION	2005280000 PSD 000 1 OF 2			
B	REV			A3					

引き出し方向

PULL OUT DIRECTION



"E"



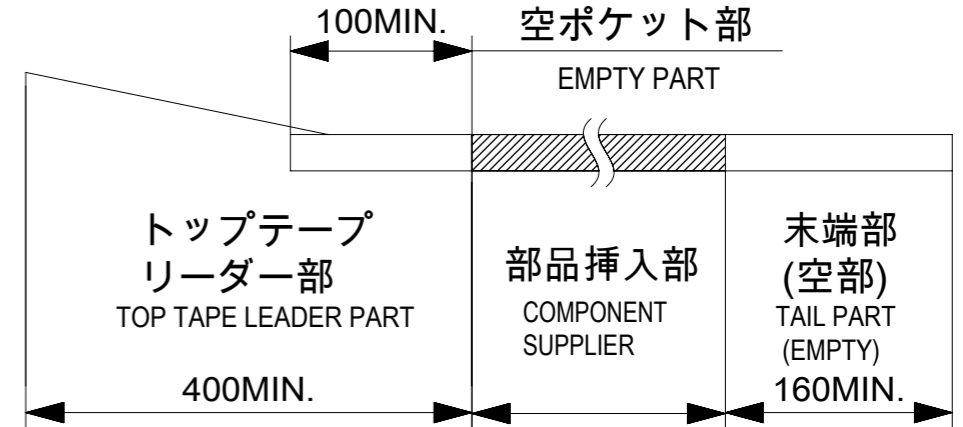
DETAIL "E"

NOTES

1. 梱包数量 : 3000個 / リール
NUMBER OF CONNECTORS : 3000 PCS/REEL.
2. リードテープ長さ
LEAD TAPE LENGTH

引き出し方向

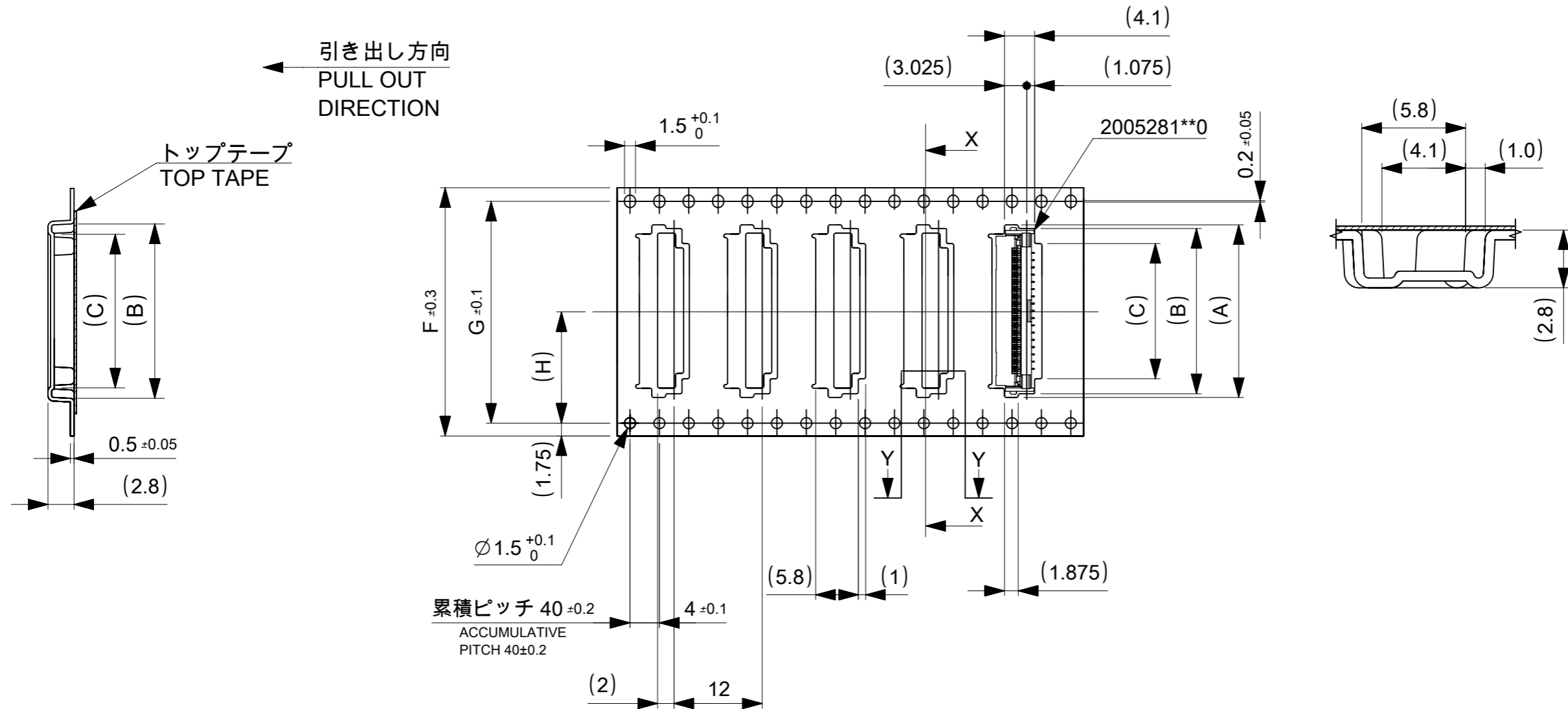
PULL OUT DIRECTION



3. カバーテープの剥離強度については、IEC60286-3に準拠。
COVER TAPE PEEL FORCE IS DEFINED BY IEC 60286-3.
4. 製品詳細寸法については、図面 2005281006-000を参照下さい。
FOR DIMENTIONS OF PRODUCT, REFER TO 2005281006-000.
5. 材料 MATERIAL
キャリアテープ : ポリスチレン
CARRIER TAPE : POLYSTYRENE
トップテープ : ポリエチレンテレフタレート、ポリエチレン
TOP TAPE : POLYETHYLENE TEREHTHALATE, POLYETHYLENE
リール : ポリスチレン<リサイクル材を含む>
6. ELV及びRoHS適合品 ELV AND RoHS COMPLIANT.

THIS DRAWING CONTAINS INFORMATION THAT IS PROPRIETARY TO MOLEX ELECTRONIC TECHNOLOGIES, LLC AND SHOULD NOT BE USED WITHOUT WRITTEN PERMISSION

EC NO: 103009 DRWN: MTAKAHASHI04 CHK'D: KTAKAHASHI APPR: TKUSUHARA01	2016/02/09	GENERAL TOLERANCES (UNLESS SPECIFIED)		DIMENSION UNITS	SCALE					
	2016/02/19	ANGULAR TOL ± 1.0 °		MM	2:1					
	2016/02/19	4 PLACES	± 0.05	DRWN BY	DATE	1.0 FPC ZIF BTM 2 CONT EMBT PKG				
		3 PLACES	± 0.1	MTAKAHASHI04	2015/12/22					
		2 PLACES	± 0.2	CHK'D BY	DATE	PRODUCT CUSTOMER DRAWING				
	1 PLACE	± 0.2	KTAKAHASHI	2015/12/25						
	0 PLACES	± 0.2	APPR BY	DATE	SERIES	MATERIAL NUMBER	CUSTOMER			
			YNOGAWA	2016/01/04	200528	SEE CHART	GENERAL			
			DRAFT WHERE APPLICABLE MUST REMAIN WITHIN DIMENSIONS		DRAWING SIZE	THIRD ANGLE PROJECTION	DOCUMENT NUMBER	DOC TYPE	DOC PART	SHEET NUMBER
					A3		2005280006	PSD	000	1 OF 2

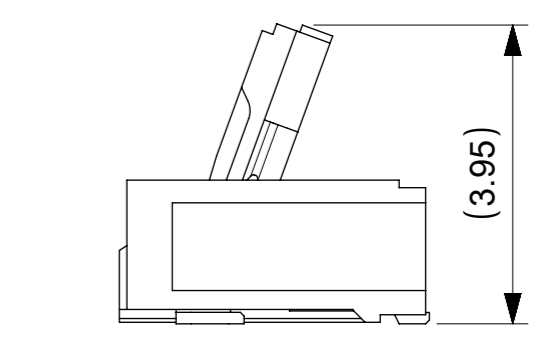
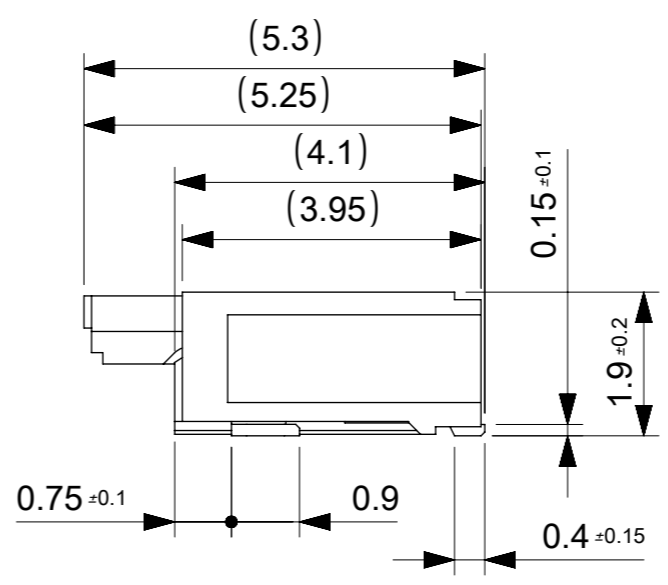
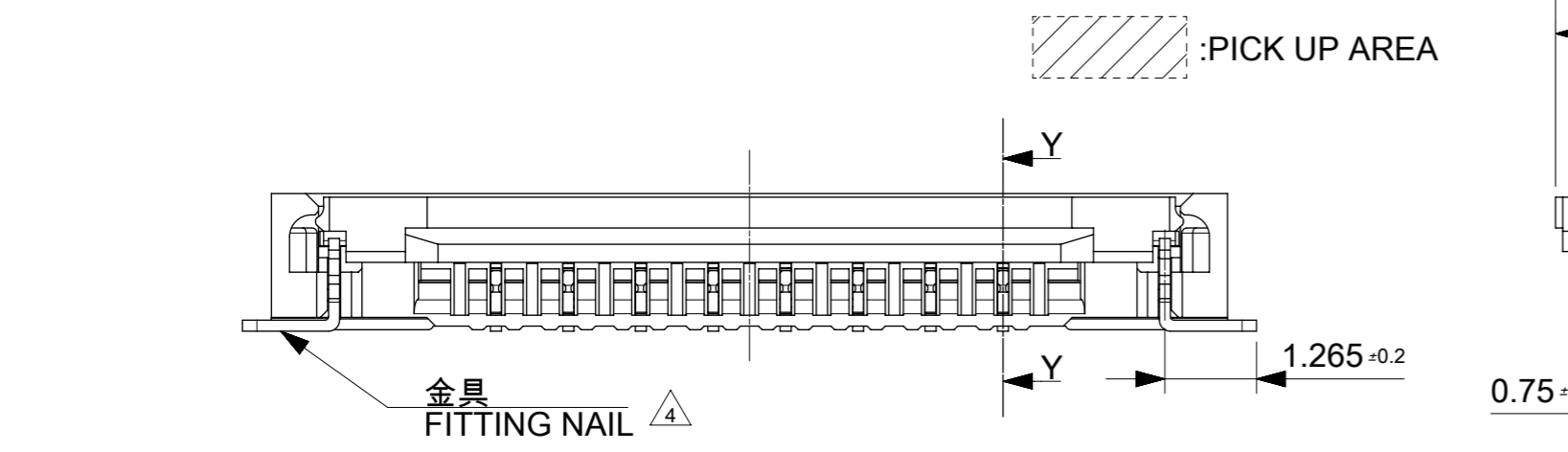
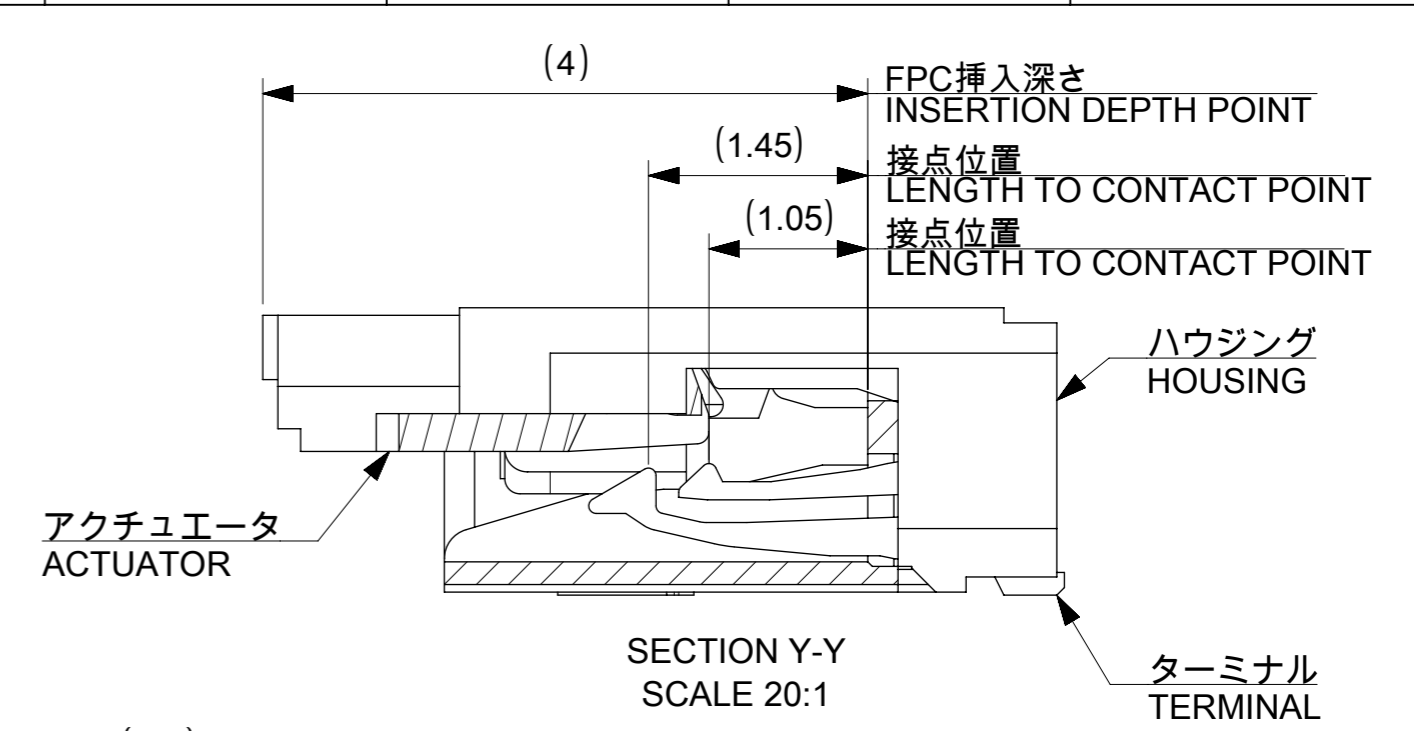
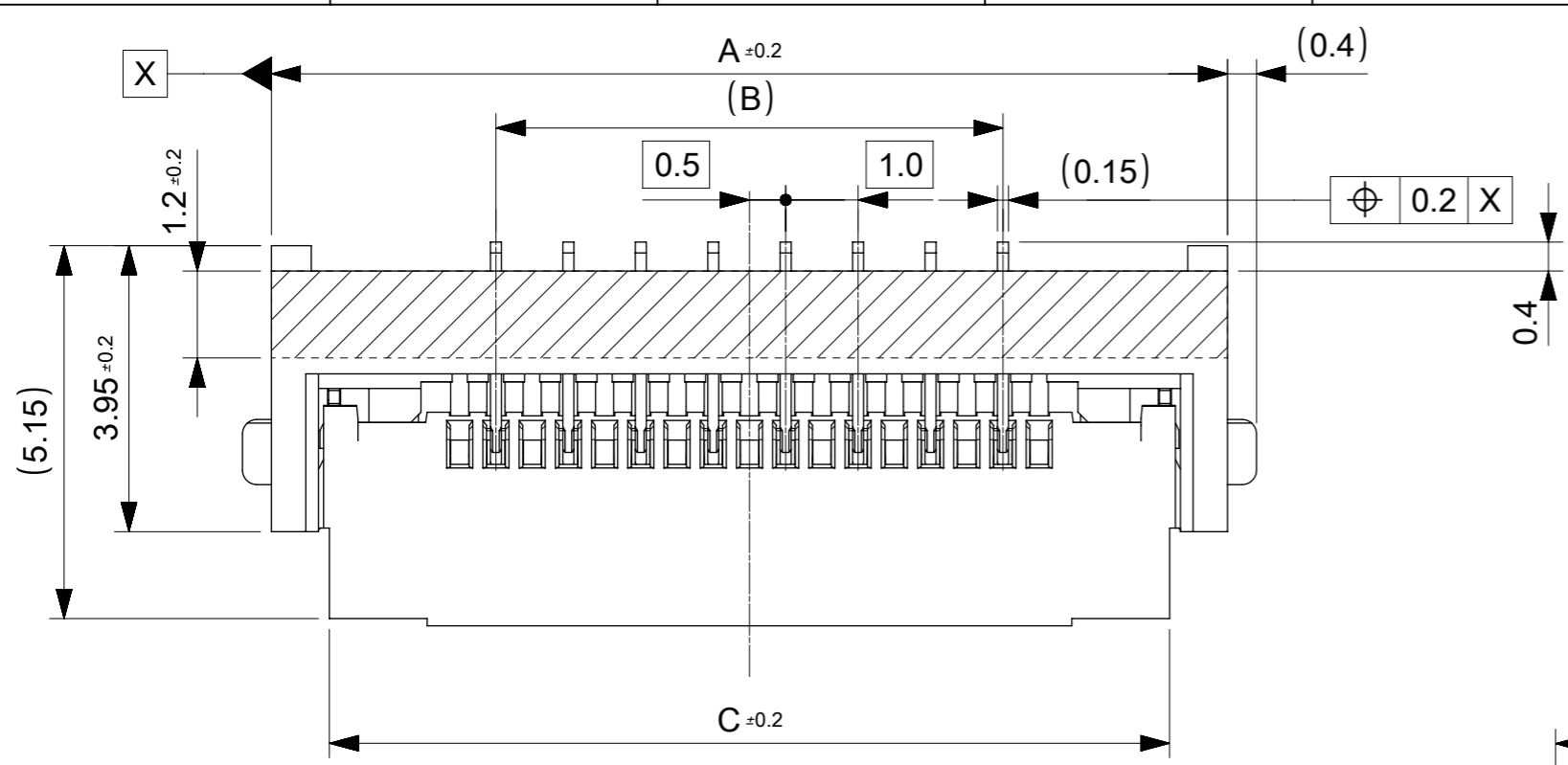


20.2	40.4	44	49.4	45.4	23.4	27.4	28.5	2005280220	22
					18.4	22.4	23.5	2005280170	17
H	G	F	E	D	C	B	A	EMBOSSED PACKAGE	Ckt
								オーダー番号 ORDER NO.	

CONNECTOR SERIES NO. 2005281**0

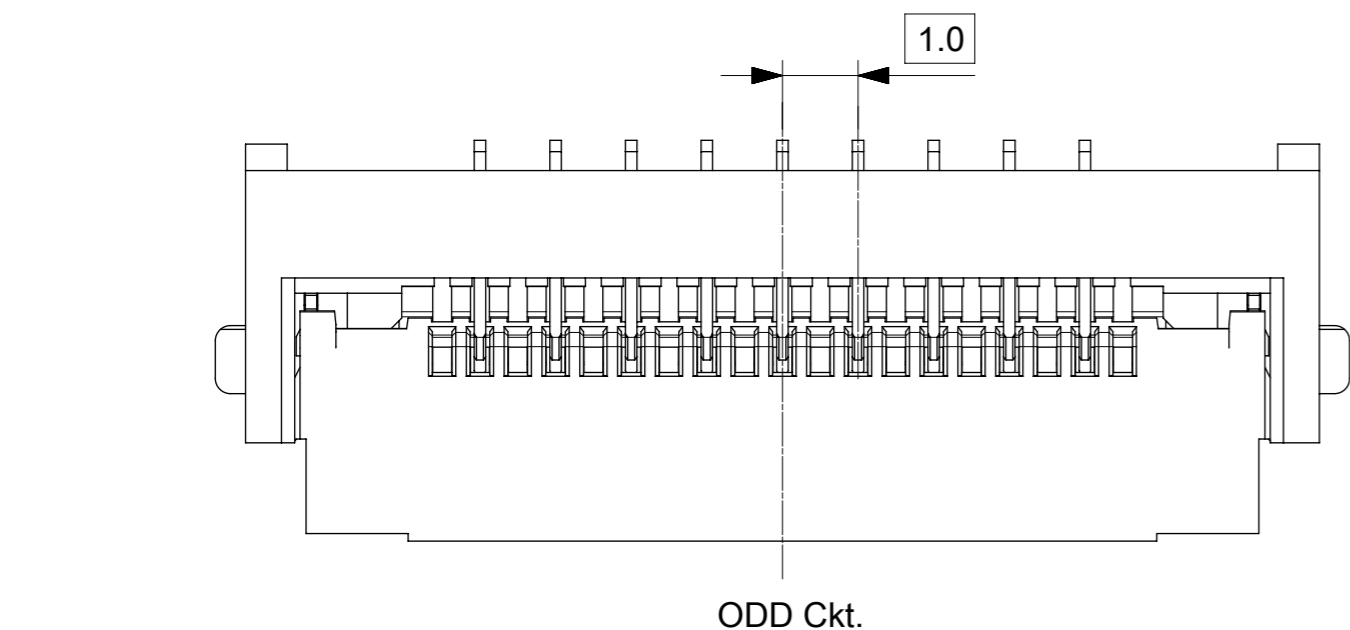
THIS DRAWING CONTAINS INFORMATION THAT IS PROPRIETARY TO MOLEX ELECTRONIC TECHNOLOGIES, LLC AND SHOULD NOT BE USED WITHOUT WRITTEN PERMISSION

EC NO: 103009 DRWN: MTAKAHASHI04 CHK'D: KTAKAHASHI APPR: TKUSUHARA01	2016/02/09	2016/02/19	2016/02/19	GENERAL TOLERANCES (UNLESS SPECIFIED) ANGULAR TOL ± 1.0 ° 4 PLACES ± 0.05 3 PLACES ± 0.1 2 PLACES ± 0.2 1 PLACE ± 0.2 0 PLACES ± 0.2 DRAFT WHERE APPLICABLE MUST REMAIN WITHIN DIMENSIONS	DIMENSION UNITS	SCALE	
	REVISED				MM	2:1	
		DRWN BY	DATE		MTAKAHASHI04	2015/12/22	
		CHK'D BY	DATE		KTAKAHASHI	2015/12/25	
		APPR BY	DATE		YNOGAWA	2016/01/04	
	DRAWING SIZE	THIRD ANGLE PROJECTION	A3		PRODUCT CUSTOMER DRAWING		
	SERIES	MATERIAL NUMBER	CUSTOMER	200528 SEE CHART GENERAL			
	DOCUMENT NUMBER	DOC TYPE	DOC PART	SHEET NUMBER	2005280006 PSD 000 2 OF 2		



12.6	8.0	14.2	2005280090	9
11.6	7.0	13.2	2005280080	8
10.6	6.0	12.2	2005280070	7
9.6	5.0	11.2	2005280060	6
8.6	4.0	10.2	2005280050	5
7.6	3.0	9.2	2005280040	4
C	B	A	EMBOSSED PACKAGE オーダー番号 ORDER NO.	Ckt

CONNECTOR SERIES NO.2005281**0



THIS DRAWING CONTAINS INFORMATION THAT IS PROPRIETARY TO MOLEX ELECTRONIC TECHNOLOGIES, LLC AND SHOULD NOT BE USED WITHOUT WRITTEN PERMISSION

REVISED	2017/06/09	GENERAL TOLERANCES (UNLESS SPECIFIED)	DIMENSION UNITS	SCALE	molex	
	2017/06/12		MM	10:1		
	2017/06/12		ANGULAR TOL ± 1.0 °	DRWN BY		DATE
	4 PLACES ± 0.05		MTAKAHASHI04	2015/12/21		
EC NO: 117930	JASANUMA	DRAFT WHERE APPLICABLE MUST REMAIN WITHIN DIMENSIONS	3 PLACES ± 0.1	CHK'D BY	PRODUCT CUSTOMER DRAWING	
	YKOBAYASHI02		2 PLACES ± 0.2	KTAKAHASHI		2015/12/25
	TKUSUHARA01		1 PLACE ± 0.2	APPR BY		DATE
			0 PLACES ± 0.2	YNOGAWA		2016/01/04
REV	C		DRAWING SIZE	THIRD ANGLE PROJECTION	SERIES	
			A3		200528	
					MATERIAL NUMBER	
					SEE CHART	
					CUSTOMER	
					GENERAL	
					DOCUMENT NUMBER	
					2005281000	
					DOC TYPE	
					PSD	
					DOC PART	
					000	
					SHEET NUMBER	
					1 OF 3	

適合FPC/FFC推奨寸法
APPLICABLE FPC/FFC
RECOMMENDED DIMENSION

耳無し適合FPC/FFC推奨寸法
APPLICABLE NON-TAB FPC/FFC
RECOMMENDED DIMENSION

補強板：ポリイミド
REINFORCE BOARD: POLYIMIDE

熱硬化接着剤
THERMOSETTING ADHESIVE

ベースフィルム：ポリイミド(25μm)
BASE FILM: POLYIMIDE(25μm)

熱硬化接着剤
THERMOSETTING ADHESIVE

導体部：銅箔(35μm)
CONDUCTOR: COPPER FOIL (35μm)

熱硬化接着剤
THERMOSETTING ADHESIVE

カバーレイ：ポリイミド(25μm)
COVER FILM: POLYIMIDE(25μm)

補強板：ポリエステル系
REINFORCE BOARD: PET

接着剤(難燃ポリエステル系)
ADHESIVE (FLAME-RETARDANT
POLYESTER ADHESIVE)

絶縁テープ：ポリエステル系(25μm)
INSULATING FILM: PET(25μm)

接着剤(難燃ポリエステル系)
ADHESIVE (FLAME-RETARDANT
POLYESTER ADHESIVE)


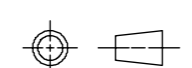
導体部：銅箔(35μmか50μm)
CONDUCTOR: COPPER FOIL (35μm or 50μm)

接着剤(難燃ポリエステル系)
ADHESIVE (FLAME-RETARDANT
POLYESTER ADHESIVE)

絶縁テープ：ポリエステル系(25μm)
INSULATING FILM: PET(25μm)

FPC構成推奨仕様
STRUCTURE OF FPC

FFC構成推奨仕様
STRUCTURE OF FFC

THIS DRAWING CONTAINS INFORMATION THAT IS PROPRIETARY TO MOLEX ELECTRONIC TECHNOLOGIES, LLC AND SHOULD NOT BE USED WITHOUT WRITTEN PERMISSION											
REVISED	EC NO: 117930	2017/06/09	GENERAL TOLERANCES (UNLESS SPECIFIED)		DIMENSION UNITS	SCALE	 <p>1.0 FPC ZIF BTM 2 CONT HSG ASSY</p> <p>PRODUCT CUSTOMER DRAWING</p> <p>SERIES: 200528 MATERIAL NUMBER: SEE SHEET 1 CUSTOMER: GENERAL</p> <p>DOCUMENT NUMBER: 2005281000 DOC TYPE: PSD DOC PART: 000 SHEET NUMBER: 2 OF 3</p>				
	DRWN: JASANUMA	2017/06/12	4 PLACES	± 0.05	MM	##					
	CHK'D: YKOBAYASHI02	2017/06/12	3 PLACES	± 0.1	DRWN BY	DATE					
	APPR: TKUSUHARA01	2017/06/12	2 PLACES	± 0.2	CHK'D BY	DATE					
			1 PLACE	± 0.2	APPR BY	DATE					
		0 PLACES	± 0.2	YNOGAWA	2016/01/04	DRAWING SIZE	THIRD ANGLE PROJECTION				
			DRAFT WHERE APPLICABLE MUST REMAIN WITHIN DIMENSIONS		A3						

注記 NOTES

1.使用材料 MATERIAL

ハウジング :液晶ポリマー ガラス充填、UL94V-0(ベージュ)
 HOUSING LIQUID CRYSTAL POLYMER GLASS FILLED, UL94V-0(BEIGE)
 アクチュエータ :ポリアミド ガラス充填、UL94V-0(黒)
 ACTUATOR POLYAMIDE GLASS FILLED, UL94V-0(BLACK)
 ターミナル :リン青銅(t=0.15)
 TERMINAL PHOSPHOR BRONZE
 金具 :リン青銅(t=0.15)
 FITTING NAIL PHOSPHOR BRONZE

2.めっき仕様 PLATING

ターミナル TERMINAL
 コンタクト部 : 部分金めっき (0.05µm以上)
 テール部 : 部分金めっき
 下地:ニッケルめっき (1.0µm以上)
 CONTACT AREA : SEPARATED GOLD PLATING (0.05 MICROMETER MINIMUM)
 SOLDER TAIL AREA : SEPARATED GOLD PLATING
 UNDERPLATE : NICKEL OVERALL (1.0 MICROMETER MINIMUM)
 金具 FITTING NAIL
 錫めっき(1.0µm以上)
 下地:ニッケルめっき (1.0µm以上)
 TIN PLATING (1.0 MICROMETER MIN.)
 UNDER PLATING : NICKEL PLATING (1.0 MICROMETER MIN.)

3.エンボステープ梱包時は、アクチュエータが閉じた状態とする。
 IN THE PACKAGE, ACTUATOR OF PART SHOULD BE CLOSED.

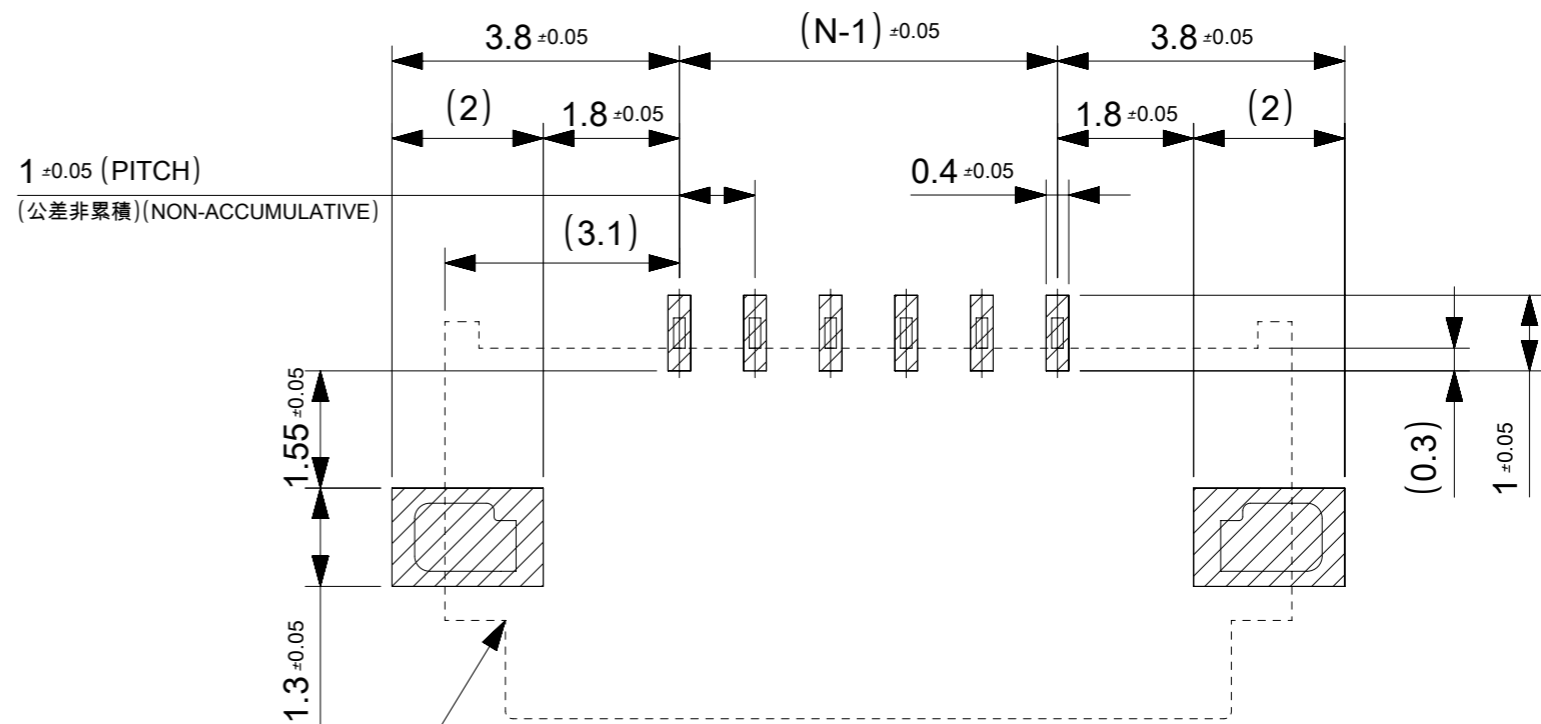
4. パターン剥離止め用金具
 FITTING NAIL FOR PREVENTION OF PEELING OF P.C.B. PATTERN.

5. R0.3はFPC/FFC導体部にかからないこと。
 R0.3 MUST NOT BE OVERLAPPED TO PATTERN OF FPC/FFC.

6.N:極数 N:CIRCUIT.

7.ELV及びRoHS適合品
 ELV AND RoHS COMPLIANT

8.テールと金具を併せた平坦度は0.1以下とする。
 TAILS AND NAILS COPLANALITY TO BE 0.1 MAX.



コネクタ位置
 (CONNECTOR POSITION)

推奨基板レイアウト
 RECOMENDED P.W.B.
 PATTERN LAYOUT

参考マスク厚 : 100µm
 参考マスク開口率 : 100%
 REFERENCE SCREEN THICKNESS : 100µm
 REFERENCE SCREEN OPEN RATIO : 100%

FPC/FFCについて ABOUT FPC/FFC

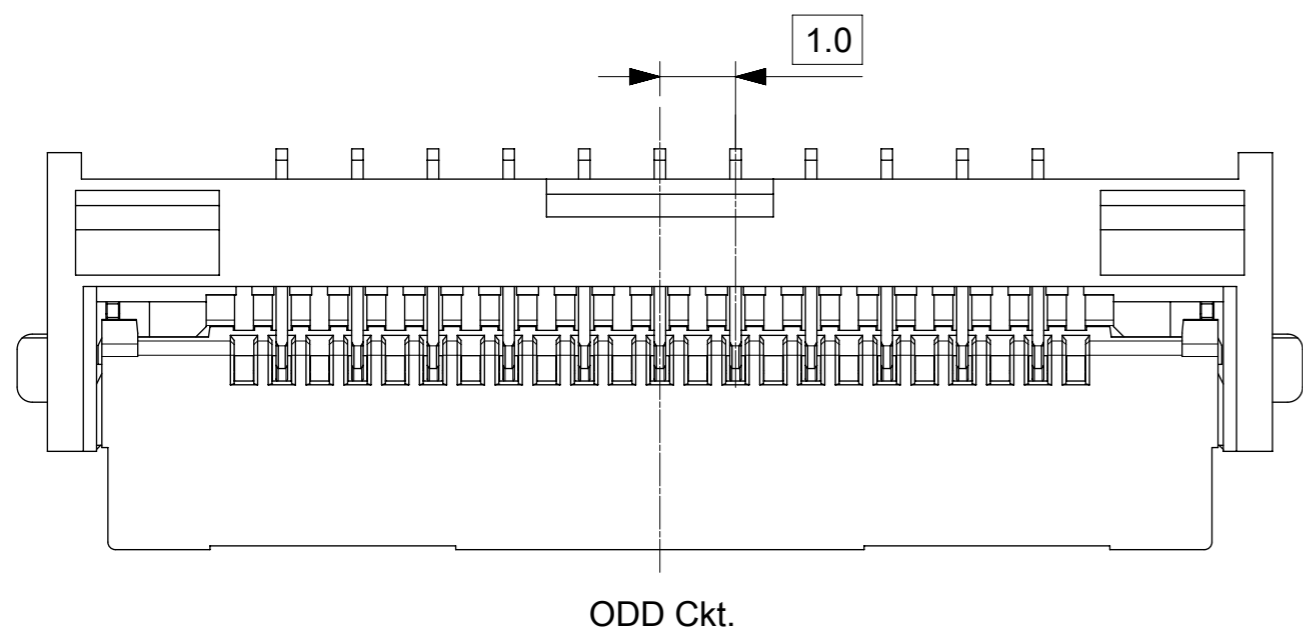
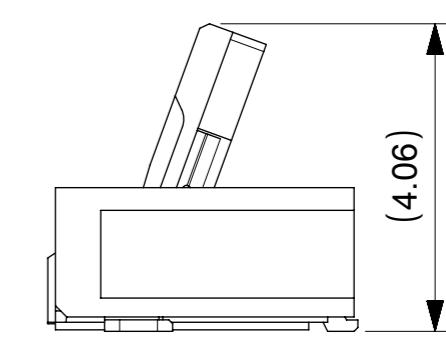
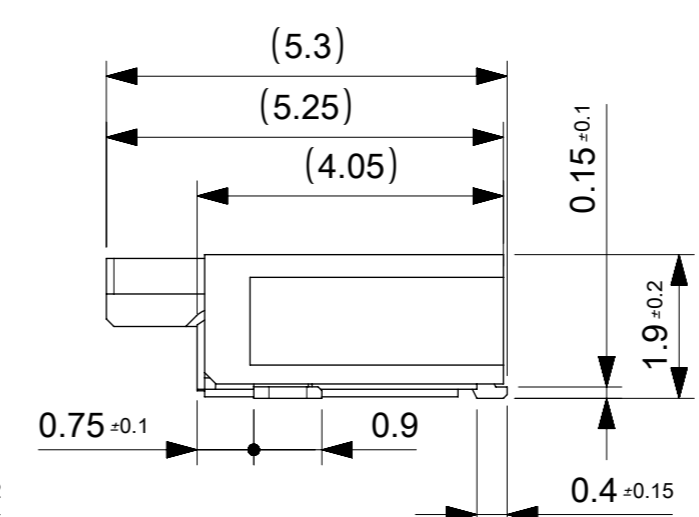
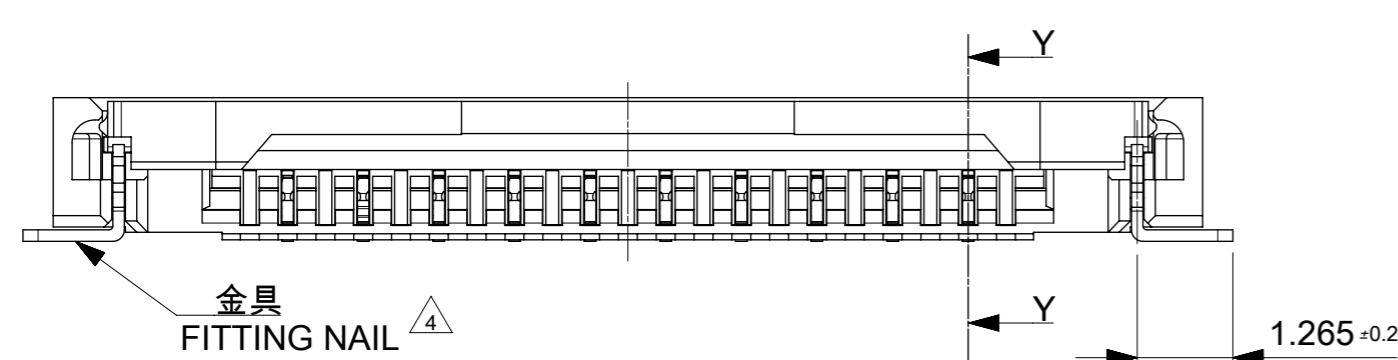
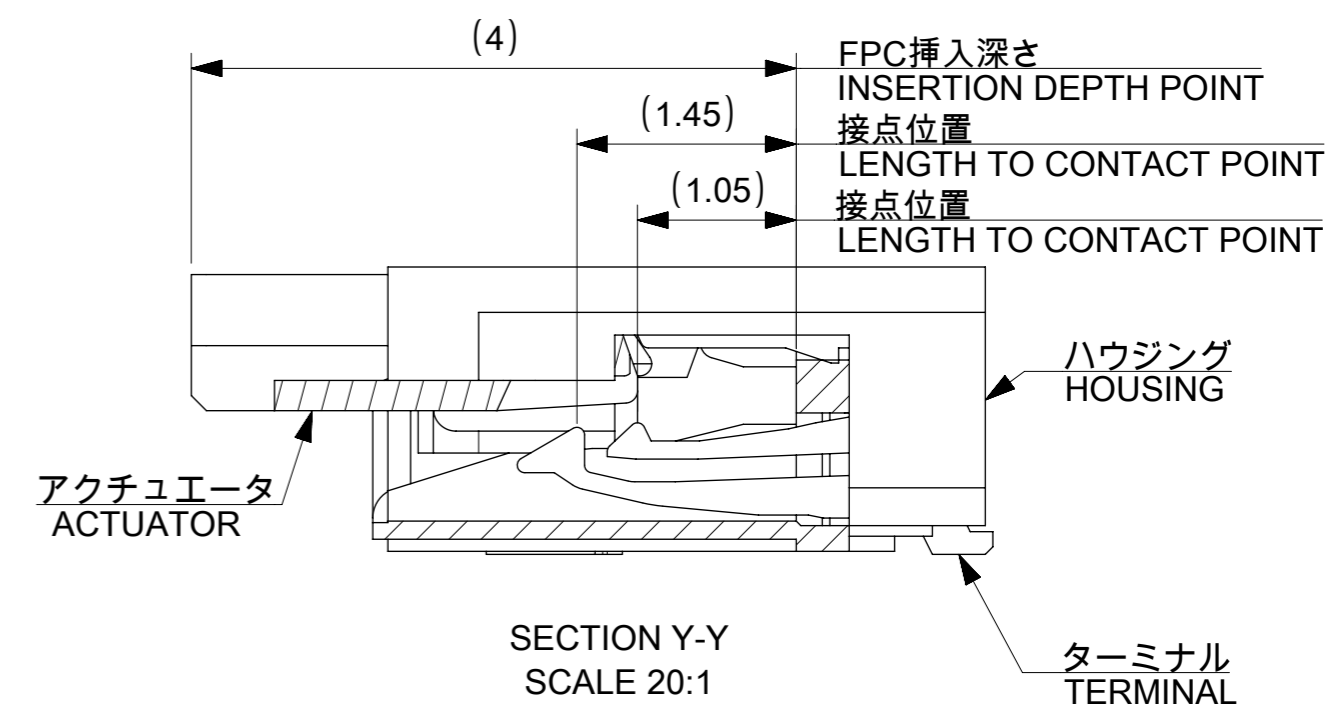
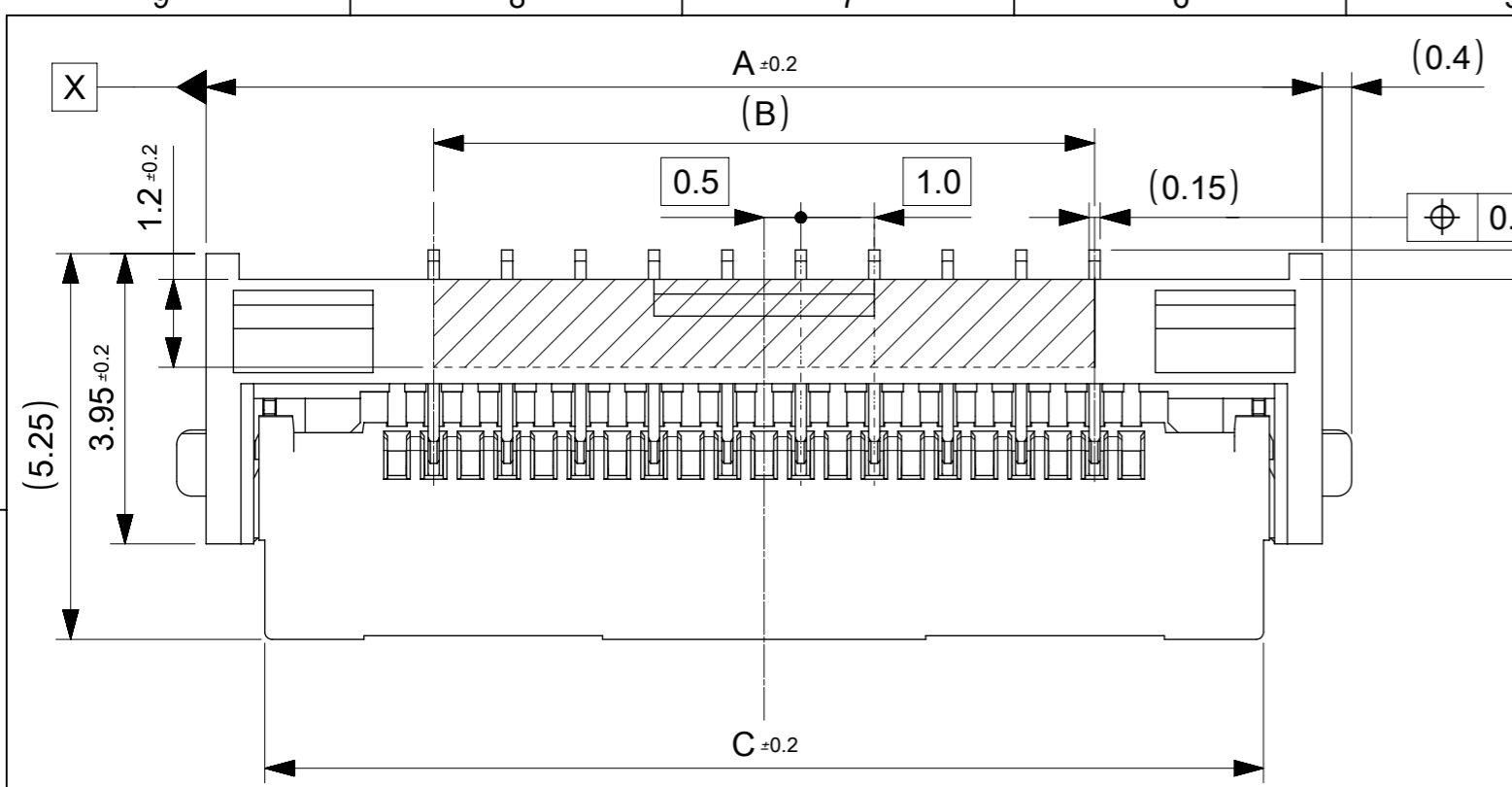
打ち抜き方向は導体側から補強板側を推奨します。
 導体部については軟箔銅35µmまたは50µmを推奨します。
 FFCに規定された定格温度がFFC単体前提である場合が御座います。
 コネクタと組み合わせての実使用において、接着層が劣化するなどの信頼性を満足できないケースを回避するため、
 実機での評価/確認をお願いいたします。
 RECOMMENDED PUNCHING DIRECTION : FROM CONDUCTOR SIDE TO STIFFENER SIDE
 RECOMMENDED CONDUCTOR SPEC : SOFT COPPER FOIL
 RECOMMENDED CONDUCTOR THICKNESS : 35 MICROMETER OR 50 MICROMETER
 WHEN ACTUALLY USING IT WITH CONNECTOR, PLEASE DO THE EVALUATION AND THE CONFIRMATION WITH AN ACTUAL EQUIPMENT TO EVADE THE CASE WHERE RELIABILITY CANNOT BE FILLED (THE ADHESIVE LINE OF FFC IS DETERIORATED ETC.)

FPCについて ABOUT FPC

補強フィルム材質はポリイミドを推奨します。ベースフィルムは25µmを推奨します。
 接着剤は熱硬化接着剤を推奨します。
 尚、接着剤の接点部への付着は導通不良の原因になりますので、染み出しが無い様お願い致します。
 RECOMMENDED MATERIAL/THICKNESS.
 RECOMMENDED STIFFENER MATERIAL: POLYIMIDE
 RECOMMENDED BASE FILM THICKNESS: 25 MICROMETER
 RECOMMENDED ADHESIVE: THERMOSETTING ADHESIVE
 PLEASE PUT APPROPRIATE AMOUNT OF ADHESIVE ON ADHEREND BECAUSE THERE IS A POSSIBILITY THAT THE EXTRA ADHESIVE CAUSES THE DEFECT IN ELECTRICAL CONTINUITY.
 THERE IS A POSSIBILITY THAT THE PRESCRIPT TEMPERATURE OF FFC IS SET TO SINGLE IT.

THIS DRAWING CONTAINS INFORMATION THAT IS PROPRIETARY TO MOLEX ELECTRONIC TECHNOLOGIES, LLC AND SHOULD NOT BE USED WITHOUT WRITTEN PERMISSION

REVISED	2017/06/09	2017/06/12	2017/06/12	GENERAL TOLERANCES (UNLESS SPECIFIED)	DIMENSION UNITS	SCALE			
	DRWN: JASANUMA	CHK'D: YKOBAYASHI02	APPR: TKUSUHARA01		MM	≠≠			
	4 PLACES	± 0.05	MTAKAHASHI04		DATE	2015/12/21			
	3 PLACES	± 0.1	KTAKAHASHI		DATE	2015/12/25			
2 PLACES	± 0.2	YNOGAWA	DATE	2016/01/04	PRODUCT CUSTOMER DRAWING				
1 PLACE	± 0.2	DRAWING SIZE		A3	THIRD ANGLE PROJECTION	SERIES	MATERIAL NUMBER	CUSTOMER	
0 PLACES	± 0.2	DRAFT WHERE APPLICABLE MUST REMAIN WITHIN DIMENSIONS				200528	SEE SHEET 1	GENERAL	
RELEASE STATUS		P1	RELEASE DATE	12.06.2017 07:07:15	DOCUMENT NUMBER		DOC TYPE	DOC PART	SHEET NUMBER
C		REV	C		2005281000		PSD	000	3 OF 3



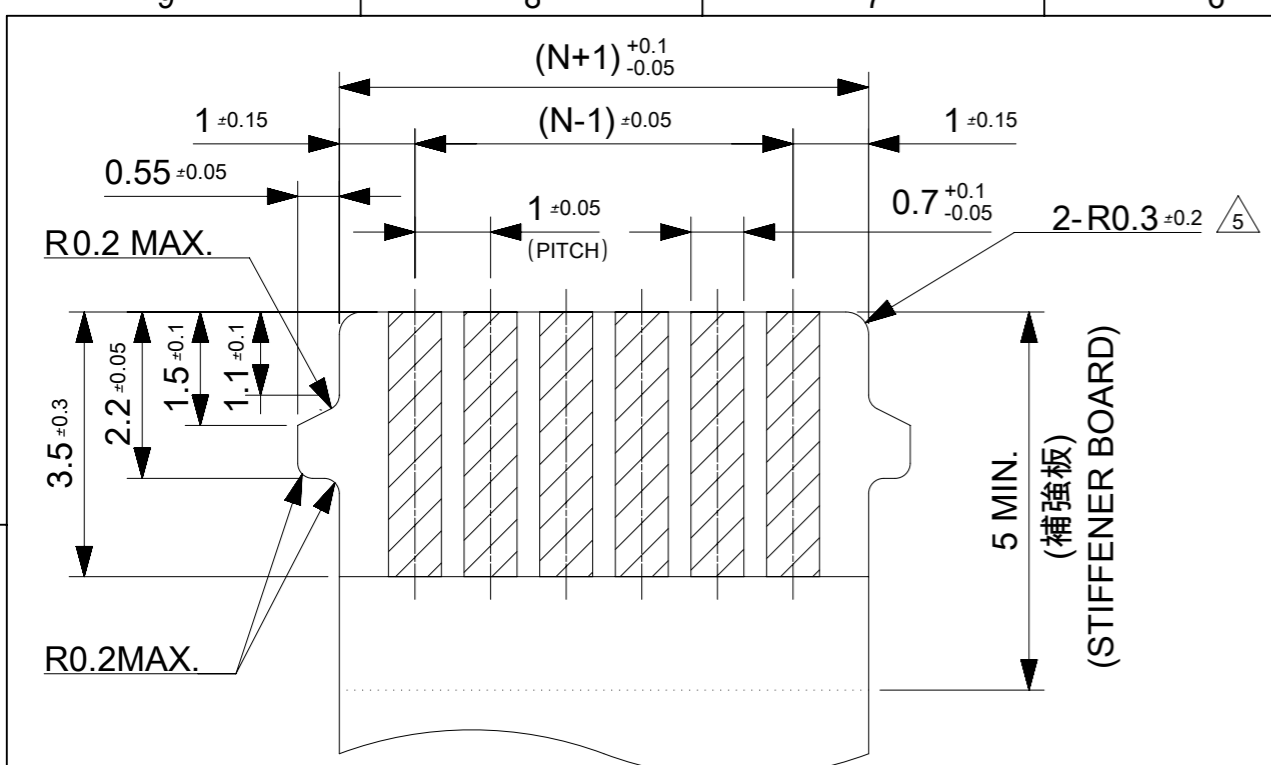
25.6	21	27.2	2005280220	22
20.6	16	22.2	2005280170	17
C	B	A	EMBOSSED PACKAGE オーダー番号 ORDER NO.	Ckt

CONNECTOR SERIES NO. 2005281**0

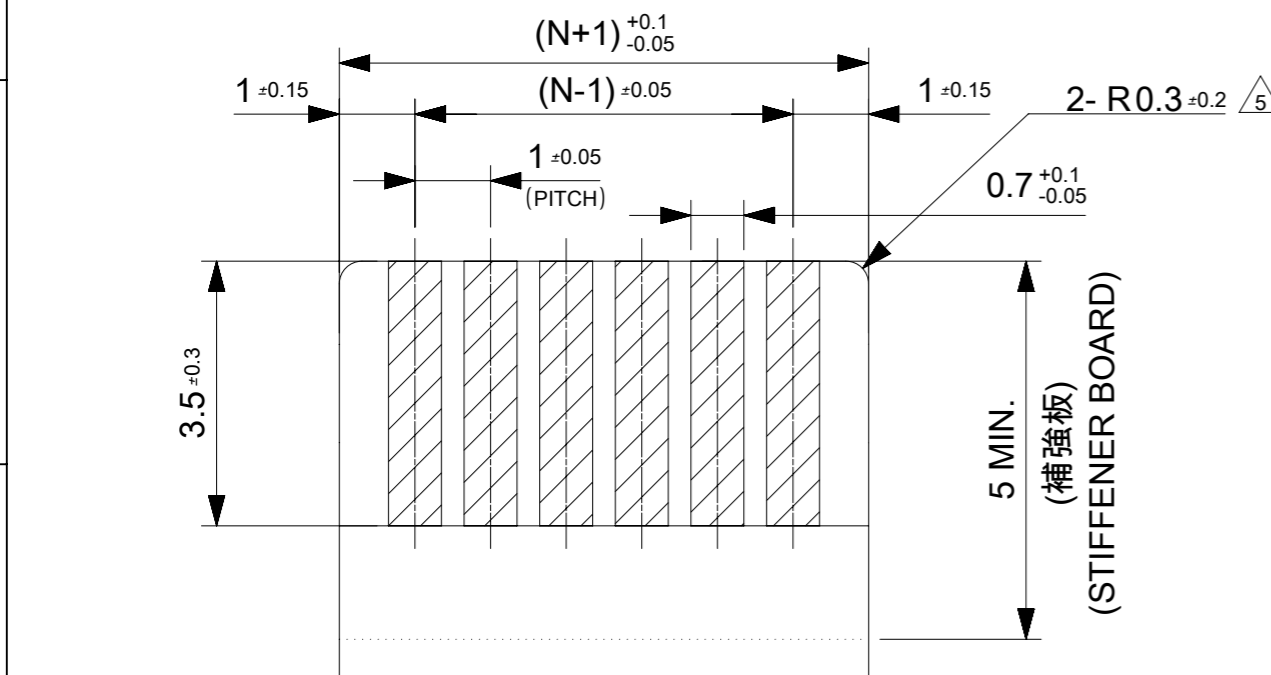
THIS DRAWING CONTAINS INFORMATION THAT IS PROPRIETARY TO MOLEX ELECTRONIC TECHNOLOGIES, LLC AND SHOULD NOT BE USED WITHOUT WRITTEN PERMISSION

REVISED	2017/06/09	2017/06/12	2017/06/12	GENERAL TOLERANCES (UNLESS SPECIFIED)	DIMENSION UNITS	SCALE		
	EC NO: 117930	DRWN: JASANUMA	CHK'D: YKOBAYASHI02		APPR: TKUSUHARA01	MM		10:1
	4 PLACES	± 0.05	ANGULAR TOL ± 1.0 °		DRWN BY	DATE		
	3 PLACES	± 0.1			MTAKAHASHI04	2015/12/21		
	2 PLACES	± 0.2			CHK'D BY	DATE		
	1 PLACE	± 0.2			KTAKAHASHI	2015/12/25		
	0 PLACES	± 0.2			APPR BY	DATE		
	DRAFT WHERE APPLICABLE MUST REMAIN WITHIN DIMENSIONS				YNOGAWA	2016/01/04		
					DRAWING SIZE	THIRD ANGLE PROJECTION		
					A3			

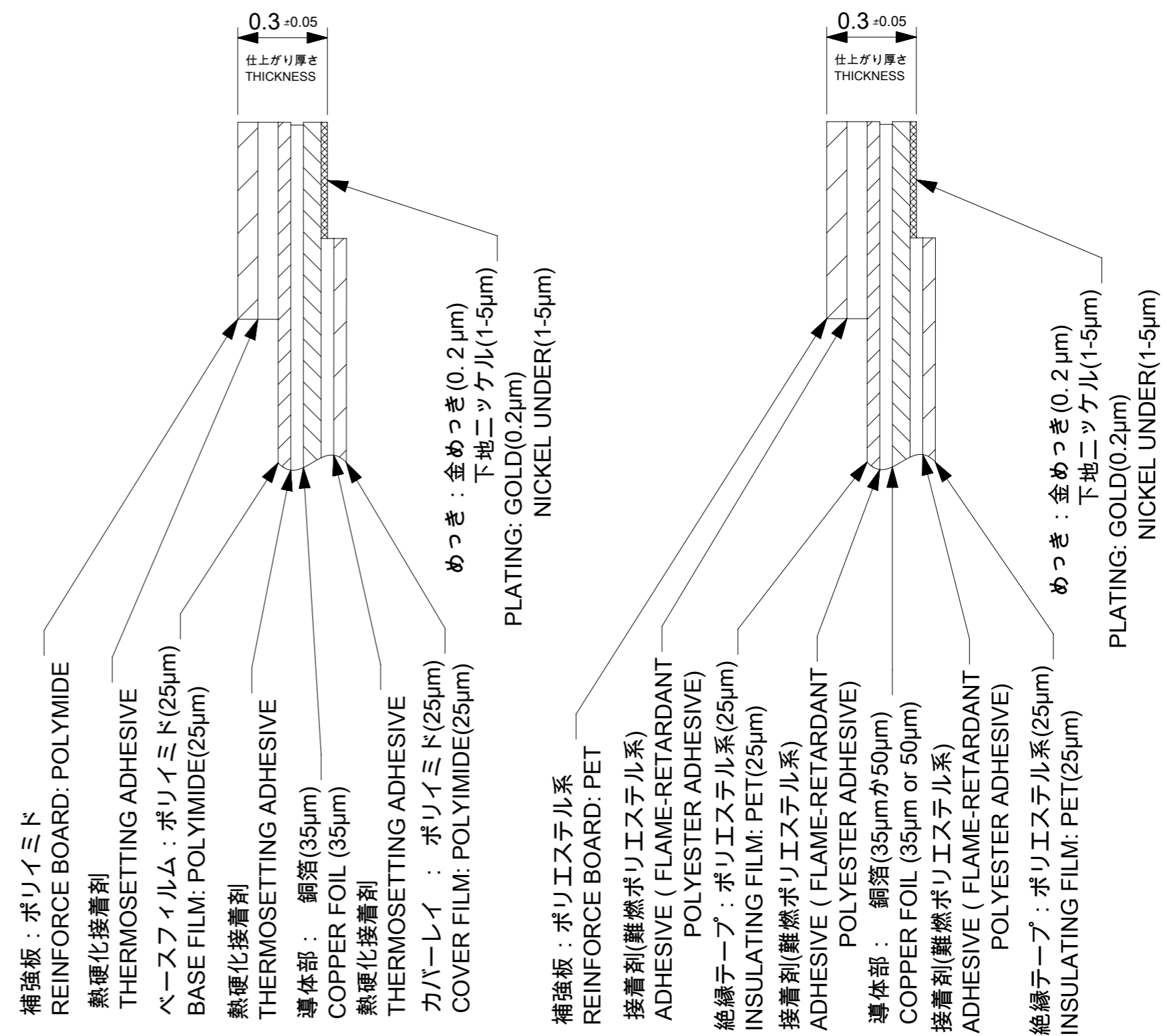
PRODUCT CUSTOMER DRAWING	
SERIES	MATERIAL NUMBER
200528	SEE CHART
CUSTOMER	GENERAL
DOCUMENT NUMBER	DOC TYPE
2005281006	PSD
DOC PART	SHEET NUMBER
000	1 OF 3



適合FPC/FFC推奨寸法
APPLICABLE FPC/FFC
RECOMMENDED DIMENSION



耳無し適合FPC/FFC推奨寸法
APPLICABLE NON-TAB FPC/FFC
RECOMMENDED DIMENSION



FPC構成推奨仕様
STRUCTURE OF FPC

FFC構成推奨仕様
STRUCTURE OF FFC

THIS DRAWING CONTAINS INFORMATION THAT IS PROPRIETARY TO MOLEX ELECTRONIC TECHNOLOGIES, LLC AND SHOULD NOT BE USED WITHOUT WRITTEN PERMISSION

REVISED	EC NO: 117930	2017/06/09	GENERAL TOLERANCES (UNLESS SPECIFIED)	DIMENSION UNITS	SCALE				
	DRWN: JASANUMA	2017/06/12	ANGULAR TOL ± 1.0 °	MM	≠				
	CHK'D: YKOBAYASHI02	2017/06/12	4 PLACES ± 0.05	DRWN BY	DATE		MTAKAHASHI04 2015/12/21		
	APPR: TKUSUHARA01		3 PLACES ± 0.1	CHK'D BY	DATE		KTAKAHASHI 2015/12/25		
			2 PLACES ± 0.2	APPR BY	DATE		YNOGAWA 2016/01/04		
		1 PLACE ± 0.2	DRAFT WHERE APPLICABLE MUST REMAIN WITHIN DIMENSIONS	DRAWING SIZE	THIRD ANGLE PROJECTION	PRODUCT CUSTOMER DRAWING			
		0 PLACES ± 0.2		A3		SERIES	MATERIAL NUMBER	CUSTOMER	
						200528	SEE SHEET 1	GENERAL	
						DOCUMENT NUMBER	DOC TYPE	DOC PART	SHEET NUMBER
						2005281006	PSD	000	2 OF 3

注記 NOTES

1.使用材料 MATERIAL

ハウジング :液晶ポリマー ガラス充填、UL94V-0(ベージュ)
 HOUSING LIQUID CRYSTAL POLYMER GLASS FILLED, UL94V-0(BEIGE)
 アクチュエータ :ポリアミド ガラス充填、UL94V-0(黒)
 ACTUATOR POLYAMIDE GLASS FILLED, UL94V-0(BLACK)
 ターミナル :リン青銅(t=0.15)
 TERMINAL PHOSPHOR BRONZE
 金具 :リン青銅(t=0.15)
 FITTING NAIL PHOSPHOR BRONZE

2.めっき仕様 PLATING

ターミナル TERMINAL
 コンタクト部 : 部分金めっき (0.1µm以上)
 テール部 : 部分金めっき
 下地:ニッケルめっき (1.0µm以上)
 CONTACT AREA : SEPARATED GOLD PLATING (0.05 MICROMETER MINIMUM)
 SOLDER TAIL AREA : SEPARATED GOLD PLATING
 UNDERPLATE : NICKEL OVERALL (1.0 MICROMETER MINIMUM)
 金具 FITTING NAIL
 錫めっき(1.0µm以上)
 下地:ニッケルめっき (1.0µm以上)
 TIN PLATING (1.0 MICROMETER MIN.)
 UNDER PLATING : NICKEL PLATING (1.0 MICROMETER MIN.)

3.エンボステーブ梱包時は、アクチュエータが閉じた状態とする。
 IN THE PACKAGE, ACTUATOR OF PART SHOULD BE CLOSED.

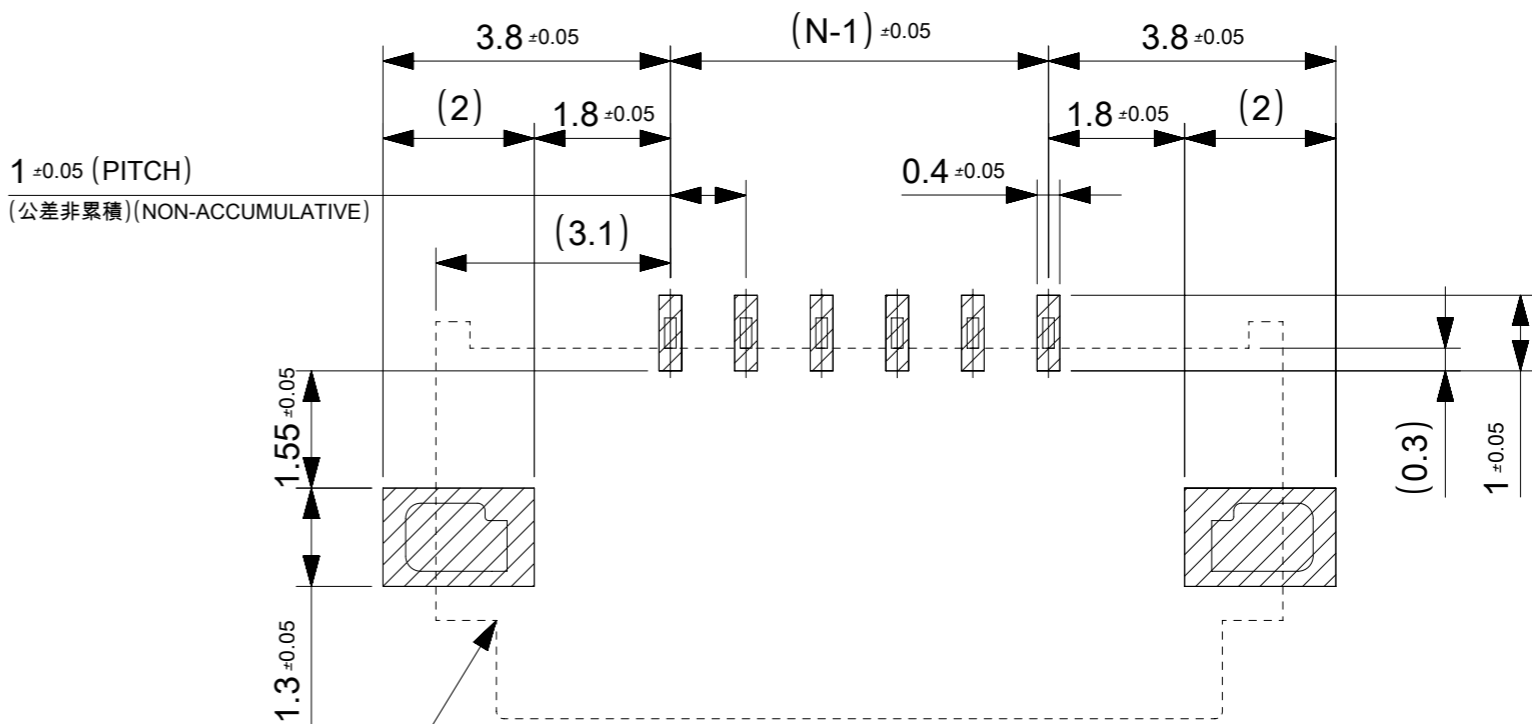
4. パターン剥離止め用金具
 FITTING NAIL FOR PREVENTION OF PEELING OF P.C.B. PATTERN.

5. R0.3はFPC/FFC導体部にかからないこと。
 R0.3 MUST NOT BE OVERLAPPED TO PATTERN OF FPC/FFC.

6.N:極数 N:CIRCUIT.

7.ELV及びRoHS適合品
 ELV AND RoHS COMPLIANT

8.テールと金具を併せた平坦度は0.1以下とする。
 TAILS AND NAILS COPLANALITY TO BE 0.1 MAX.



コネクタ位置
 (CONNECTOR POSITION)

推奨基板レイアウト
 RECOMENDED P.W.B.
 PATTERN LAYOUT

参考マスク厚 : 100µm
 参考マスク開口率 : 100%
 REFERENCE SCREEN THICKNESS : 100µm
 REFERENCE SCREEN OPEN RATIO : 100%

FPC/FFCについて ABOUT FPC/FFC

打ち抜き方向は導体側から補強板側を推奨します。
 導体部については軟箔銅35µmまたは50µmを推奨します。
 FFCに規定された定格温度がFFC単体前提である場合が御座います。
 コネクタと組み合わせた実使用において、接着層が劣化するなどの信頼性を満足できないケースを回避するため、
 実機での評価/確認をお願いいたします。

RECOMMENDED PUNCHING DIRECTION : FROM CONDUCTOR SIDE TO STIFFENER SIDE
 RECOMMENDED CONDUCTOR SPEC : SOFT COPPER FOIL
 RECOMMENDED CONDUCTOR THICKNESS : 35 MICROMETER OR 50 MICROMETER
 WHEN ACTUALLY USING IT WITH CONNECTOR, PLEASE DO THE EVALUATION AND THE CONFIRMATION WITH AN ACTUAL EQUIPMENT TO EVADE THE CASE WHERE RELIABILITY CANNOT BE FILLED (THE ADHESIVE LINE OF FFC IS DETERIORATED ETC.)

FPCについて ABOUT FPC

補強フィルム材質はポリイミドを推奨します。ベースフィルムは25µmを推奨します。
 接着剤は熱硬化接着剤を推奨します。
 尚、接着剤の接点部への付着は導通不良の原因になりますので、染み出しが無い様お願い致します。
 RECOMMENDED MATERIAL/THICKNESS.
 RECOMMENDED STIFFENER MATERIAL: POLYIMIDE
 RECOMMENDED BASE FILM THICKNESS: 25 MICROMETER
 RECOMMENDED ADHESIVE: THERMOSETTING ADHESIVE
 PLEASE PUT APPROPRIATE AMOUNT OF ADHESIVE ON ADHEREND BECAUSE THERE IS A POSSIBILITY THAT THE EXTRA ADHESIVE CAUSES THE DEFECT IN ELECTRICAL CONTINUITY.
 THERE IS A POSSIBILITY THAT THE PRESCRIPT TEMPERATURE OF FFC IS SET TO SINGLE IT.

THIS DRAWING CONTAINS INFORMATION THAT IS PROPRIETARY TO MOLEX ELECTRONIC TECHNOLOGIES, LLC AND SHOULD NOT BE USED WITHOUT WRITTEN PERMISSION

REVISED	2017/06/09	GENERAL TOLERANCES (UNLESS SPECIFIED)	DIMENSION UNITS	SCALE	molex [®]			
	2017/06/12		MM	±±				
	2017/06/12		DRWN BY	DATE		1.0 FPC ZIF BTM 2 CONT HSG ASSY		
	EC NO: 117930 DRWN: JASANUMA CHK'D: YKOBAYASHI02 APPR: TKUSUHARA01		4 PLACES	± 0.05			MTAKAHASHI04	2015/12/21
			3 PLACES	± 0.1			CHK'D BY	DATE
2 PLACES		± 0.2	KTAKAHASHI	2015/12/25				
1 PLACE		± 0.2	APPR BY	DATE				
0 PLACES	± 0.2	YNOGAWA	2016/01/04	PRODUCT CUSTOMER DRAWING				
DRAFT WHERE APPLICABLE MUST REMAIN WITHIN DIMENSIONS	DRAWING SIZE	THIRD ANGLE PROJECTION	A3	200528	SEE SHEET 1	GENERAL		
				DOCUMENT NUMBER	DOC TYPE	DOC PART	SHEET NUMBER	
				2005281006	PSD	000	3 OF 3	