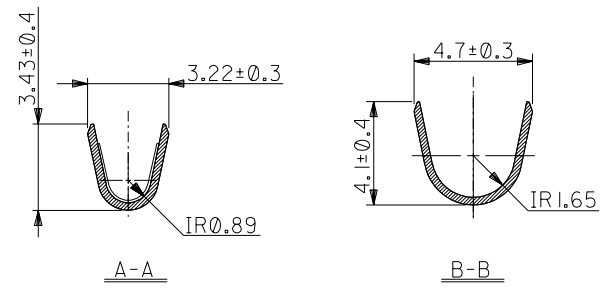
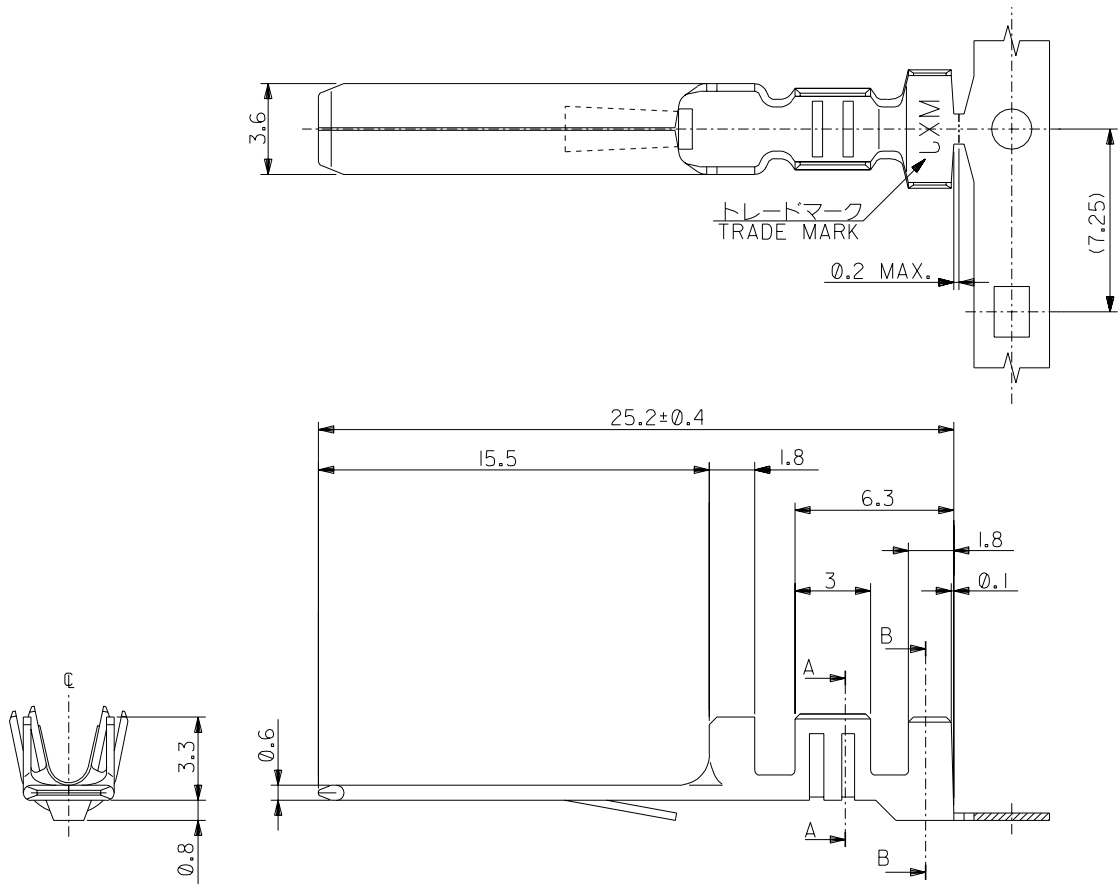


DWG. NO. SD-59320-002



- 注)  
NOTES:
1. 材質  
MATERIAL  
黄銅 (板厚: 0.3)  
BRASS (THICKNESS : 0.3)
  2. メッキ仕様  
TERMINAL PLATING  
接点部 : 金メッキ 0.25 μm MIN.  
CONTACT AREA : GOLD 0.25 MICROMETER MIN.  
圧着部 : 錫メッキ 1.0 μm MIN.  
CRIMP AREA : TIN 1.0 MICROMETER MIN.  
下地メッキ : ニッケルメッキ 2.0 μm MIN.  
UNDER PLATE : NICKEL 2.0 MICROMETER MIN.
  3. 適用電線範囲 : UL 2517 , AWG #16  
APPLICABLE WIRE RANGE : UL2517 , AWG #16
  4. 被覆外径 : φ2.2~φ2.7  
INSULATION EXTERNAL DIA : φ2.2~φ2.7
  5. 適用ハウジングアッセンブリ : 51194 シリーズ  
APPLICABLE HOUSING ASS'Y : 51194 SERIES
  6. 本製品は59320-\*\*\*90の鉛フリー品である。  
THIS PRODUCT IS LEAD FREE OF 59320-\*\*\*90.

バラ状 LOOSE	59320-9128	59320-***28
連鎖状 CHAIN	59320-9028	
端子形状 TERMINAL CONFIGURATION	MATERIAL No.	MODEL No.

DO NOT SCALE DRAWING

EC NO. DRWN: CHK: APPR:	EC NO. DRWN: CHK: APPR:	EC NO. DRWN: CHK: APPR:	EC NO. DRWN: CHK: APPR:	EC NO. DRWN: CHK: APPR:	RELEASED EC NO. J2004-3411 DRWN: Y.WADA '04/03/29 CHK: M.SASAO '04/03/29 APPR: M.SASAO '04/03/29	MATERIAL 材料 #	GENERAL TOLERANCES: (UNLESS SPECIFIED) 一般公差	SCALE 1:1	DESIGN UNITS <input checked="" type="checkbox"/> mm <input type="checkbox"/> INCH	THIRD ANGLE PROJECTION	DIMENSIONS: <input type="checkbox"/> mm <input type="checkbox"/> INCH <input checked="" type="checkbox"/> mm ONLY	SHT REV	
						FINISH 仕上げ #	10 UNDER 未満	±0.2	DRAWN BY & DATE Y.WADA '04/03/29	TITLE: POWER CONN. REC. CRIMP TERMINAL -LEAD FREE-			
						WIRE RANGE 適用電線範囲 #	10 OVER 30 UNDER 以上 未満	±0.25	CHECKED BY & DATE M.SASAO '04/03/29	MOLEX MOLEX INCORPORATED			
						INS. RANGE 被覆外径 #	30 OVER 以上	±0.3	APPROVED BY & DATE M.SASAO '04/03/29	CAD FILENAME SD-59320-002.S01	MATERIAL NO. SEE CHART	DRAWING NO. SD-59320-002	SHEET NO. 1 OF 1
THIS DRAWING CONTAINS INFORMATION THAT IS PROPRIETARY TO MOLEX INCORPORATED AND SHOULD NOT BE USED WITHOUT WRITTEN PERMISSION.											SIZE B		