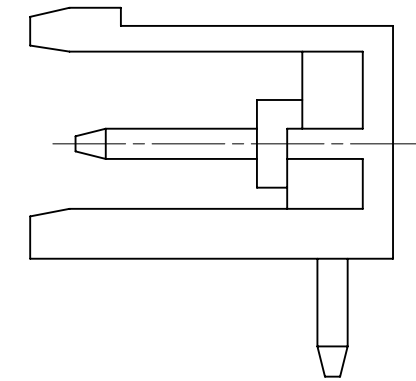
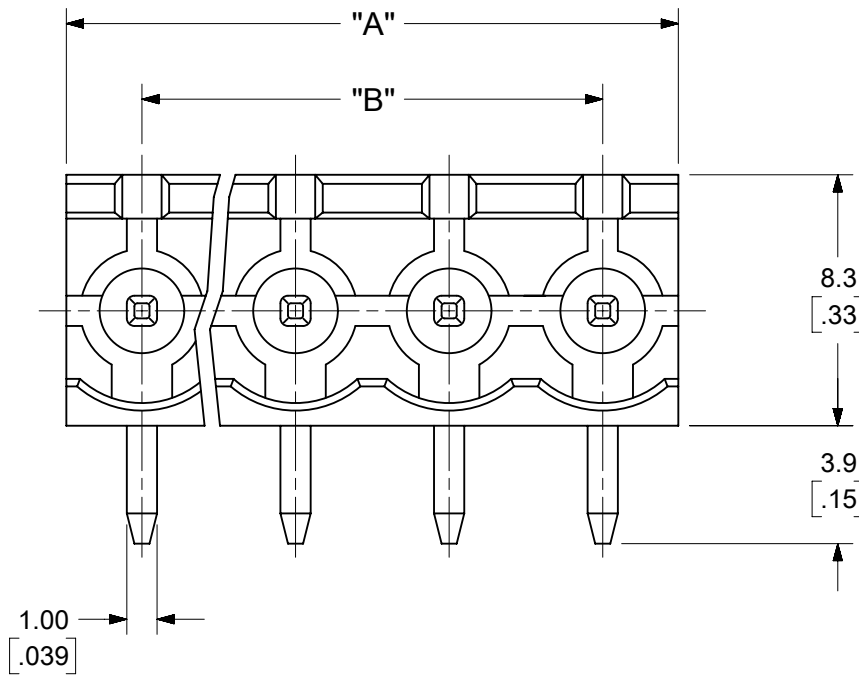
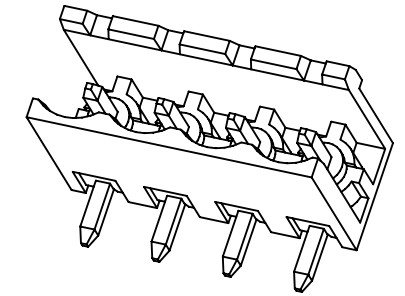
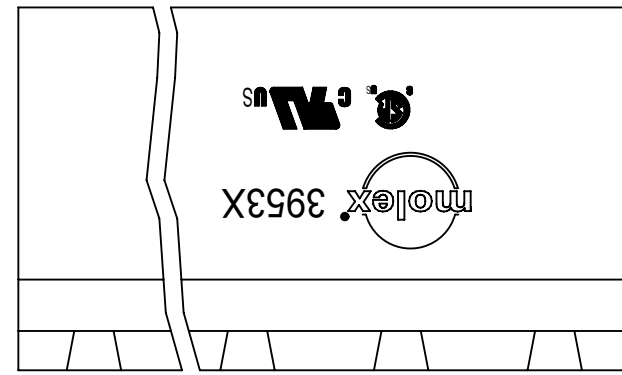
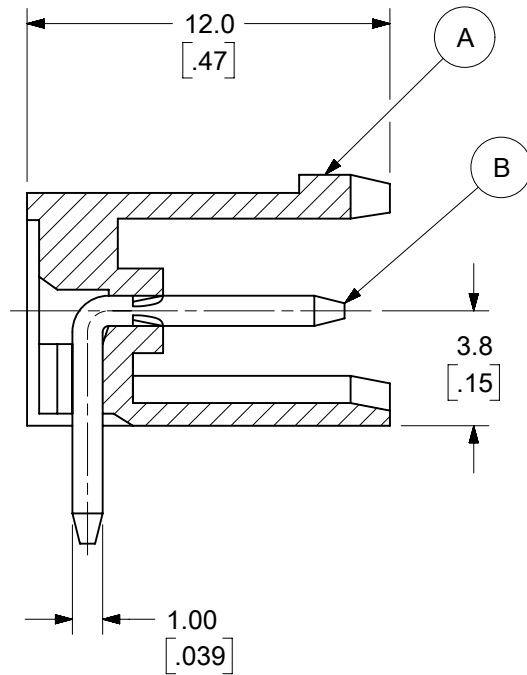


PCB LAYOUT



SPECIFICATIONS:

1. MATERIAL:
  - (A). BODY: PA66
  - (B). PIN: BRASS
2. WIRE RANGE: N/A
3. ELECTRICAL RATING: 300V, 15A.
4. WIRE STRIP LENGTH: N/A.
5. OPERATING TEMPERATURE: -40°C to +105°C.
6. MAX TORQUE: N/A.
7. INSULATION RESISTANCE: DC 500V, 500M.
8. DIELECTRIC WITHSTAND: AC 2500V FOR 1 MINUTE.
9. BREAKDOWN VOLTAGE : 4000V.
10.  $A = (N \times P)$
11.  $B = (N - 1) \times P$
12.  $P$  (PITCH) = 5.08MM (.200").
13.  $N$  = NUMBER OF POSITIONS AVAILABLE 2 THROUGH 24.
14. DIMS SHOWN ARE FOR REFERENCE ONLY.

TOLERANCES			
MM	TOL	INCH	TOL
0-6	±0.25	0-.24	±.010
>6-30	±0.40	.24-1.18	±.016
>30-120	±0.50	1.18-4.76	±.020
>120	±0.80	>4.76	±.031

THIS DRAWING CONTAINS INFORMATION THAT IS PROPRIETARY TO MOLEX ELECTRONIC TECHNOLOGIES, LLC AND SHOULD NOT BE USED WITHOUT WRITTEN PERMISSION											
SYMBOLS		DIMENSION UNITS		SCALE		CURRENT REV DESC: MIGRATION TO ECTR/NX					
= 0		MM/INCH		4:1							
= 0		GENERAL TOLERANCES (UNLESS SPECIFIED)									
= 0											
= 0		4 PLACES ± --- ± ---		MM		INCH		EC NO: 623382			
= 0		3 PLACES ± --- ± SEE CHART						DRWN: ABENJAMINLW 2019/07/23			
= 0		2 PLACES ± SEE CHART ± SEE CHART						CHK'D: DACHAMMER 2019/09/03			
= 0		1 PLACE ± SEE CHART ± ---						APPR: JFMURPHY 2019/09/26			
= 0		0 PLACES ± --- ± ---						INITIAL REVISION:			
= 0		ANGULAR TOL ± ---						DRWN: LROTHAUS 2006/01/09			
= 0		DRAFT WHERE APPLICABLE MUST REMAIN WITHIN DIMENSIONS						APPR: JPAWLICK 2006/01/10			
= 0		THIRD ANGLE PROJECTION		DRAWING		SERIES		MATERIAL NUMBER		CUSTOMER	
= 0		B-SIZE		39532		SEE SHEET-2		GENERAL MARKET		1 OF 2	

**molex**

5.08MM, EURO HEADER,  
RIGHT ANGLE, OPEN END

PRODUCT CUSTOMER DRAWING		
DOCUMENT NUMBER	DOC TYPE	DOC PART
SD-39532-003	PSD	001
REVISION	A2	

10 9 8 7 6 5 4 3 2 1

DESCRIPTION	CIRCUIT SIZE	MATERIAL NUMBERS												DIMENSIONAL INFORMATION				
		BLACK						GREEN										
		100% TIN			30 u" GOLD			100% TIN			30 u" GOLD			DIM. "A"		DIM. "B"		
PRINTING OPTIONS			PRINTING OPTIONS			PRINTING OPTIONS			PRINTING OPTIONS			mm	inch	mm	inch			
None	10AV	11AV	None	10AV	11AV	None	10AV	11AV	None	10AV	11AV	None	10AV	11AV	mm	inch	mm	inch
5.08 MM, EURO HEADER, RIGHT ANGLE, OPEN END	2	395320002	395320102	395320202	395320502	395320602	395320702	395325002	395325102	395325202	395325502	395325602	395325702	10.16	.400	5.08	.200	
5.08 MM, EURO HEADER, RIGHT ANGLE, OPEN END	3	395320003	395320103	395320203	395320503	395320603	395320703	395325003	395325103	395325203	395325503	395325603	395325703	15.24	.600	10.16	.400	
5.08 MM, EURO HEADER, RIGHT ANGLE, OPEN END	4	395320004	395320104	395320204	395320504	395320604	395320704	395325004	395325104	395325204	395325504	395325604	395325704	20.32	.800	15.24	.600	
5.08 MM, EURO HEADER, RIGHT ANGLE, OPEN END	5	395320005	395320105	395320205	395320505	395320605	395320705	395325005	395325105	395325205	395325505	395325605	395325705	25.40	1.000	20.32	.800	
5.08 MM, EURO HEADER, RIGHT ANGLE, OPEN END	6	395320006	395320106	395320206	395320506	395320606	395320706	395325006	395325106	395325206	395325506	395325606	395325706	30.48	1.200	25.40	1.000	
5.08 MM, EURO HEADER, RIGHT ANGLE, OPEN END	7	395320007	395320107	395320207	395320507	395320607	395320707	395325007	395325107	395325207	395325507	395325607	395325707	35.56	1.400	30.48	1.200	
5.08 MM, EURO HEADER, RIGHT ANGLE, OPEN END	8	395320008	395320108	395320208	395320508	395320608	395320708	395325008	395325108	395325208	395325508	395325608	395325708	40.64	1.600	35.56	1.400	
5.08 MM, EURO HEADER, RIGHT ANGLE, OPEN END	9	395320009	395320109	395320209	395320509	395320609	395320709	395325009	395325109	395325209	395325509	395325609	395325709	45.72	1.800	40.64	1.600	
5.08 MM, EURO HEADER, RIGHT ANGLE, OPEN END	10	395320010	395320110	395320210	395320510	395320610	395320710	395325010	395325110	395325210	395325510	395325610	395325710	50.80	2.000	45.72	1.800	
5.08 MM, EURO HEADER, RIGHT ANGLE, OPEN END	11	395320011	395320111	395320211	395320511	395320611	395320711	395325011	395325111	395325211	395325511	395325611	395325711	55.88	2.200	50.80	2.000	
5.08 MM, EURO HEADER, RIGHT ANGLE, OPEN END	12	395320012	395320112	395320212	395320512	395320612	395320712	395325012	395325112	395325212	395325512	395325612	395325712	60.96	2.400	55.88	2.200	
5.08 MM, EURO HEADER, RIGHT ANGLE, OPEN END	13	395320013	395320113	395320213	395320513	395320613	395320713	395325013	395325113	395325213	395325513	395325613	395325713	66.04	2.600	60.96	2.400	
5.08 MM, EURO HEADER, RIGHT ANGLE, OPEN END	14	395320014	395320114	395320214	395320514	395320614	395320714	395325014	395325114	395325214	395325514	395325614	395325714	71.12	2.800	66.04	2.600	
5.08 MM, EURO HEADER, RIGHT ANGLE, OPEN END	15	395320015	395320115	395320215	395320515	395320615	395320715	395325015	395325115	395325215	395325515	395325615	395325715	76.20	3.000	71.12	2.800	
5.08 MM, EURO HEADER, RIGHT ANGLE, OPEN END	16	395320016	395320116	395320216	395320516	395320616	395320716	395325016	395325116	395325216	395325516	395325616	395325716	81.28	3.200	76.20	3.000	
5.08 MM, EURO HEADER, RIGHT ANGLE, OPEN END	17	395320017	395320117	395320217	395320517	395320617	395320717	395325017	395325117	395325217	395325517	395325617	395325717	86.36	3.400	81.28	3.200	
5.08 MM, EURO HEADER, RIGHT ANGLE, OPEN END	18	395320018	395320118	395320218	395320518	395320618	395320718	395325018	395325118	395325218	395325518	395325618	395325718	91.44	3.600	86.36	3.400	
5.08 MM, EURO HEADER, RIGHT ANGLE, OPEN END	19	395320019	395320119	395320219	395320519	395320619	395320719	395325019	395325119	395325219	395325519	395325619	395325719	96.52	3.800	91.44	3.600	
5.08 MM, EURO HEADER, RIGHT ANGLE, OPEN END	20	395320020	395320120	395320220	395320520	395320620	395320720	395325020	395325120	395325220	395325520	395325620	395325720	101.60	4.000	96.52	3.800	
5.08 MM, EURO HEADER, RIGHT ANGLE, OPEN END	21	395320021	395320121	395320221	395320521	395320621	395320721	395325021	395325121	395325221	395325521	395325621	395325721	106.68	4.200	101.60	4.000	
5.08 MM, EURO HEADER, RIGHT ANGLE, OPEN END	22	395320022	395320122	395320222	395320522	395320622	395320722	395325022	395325122	395325222	395325522	395325622	395325722	111.76	4.400	106.68	4.200	
5.08 MM, EURO HEADER, RIGHT ANGLE, OPEN END	23	395320023	395320123	395320223	395320523	395320623	395320723	395325023	395325123	395325223	395325523	395325623	395325723	116.84	4.600	111.76	4.400	
5.08 MM, EURO HEADER, RIGHT ANGLE, OPEN END	24	395320024	395320124	395320224	395320524	395320624	395320724	395325024	395325124	395325224	395325524	395325624	395325724	121.92	4.800	116.84	4.600	

TOLERANCES			
MM	TOL	INCH	TOL
0-6	±0.25	0-.24	±.010
>6-30	±0.40	.24-1.18	±.016
>30-120	±0.50	1.18-4.76	±.020
>120	±0.80	>4.76	±.031

SYMBOLS	THIS DRAWING CONTAINS INFORMATION THAT IS PROPRIETARY TO MOLEX ELECTRONIC TECHNOLOGIES, LLC AND SHOULD NOT BE USED WITHOUT WRITTEN PERMISSION		
▽ = 0	DIMENSION UNITS	SCALE	CURRENT REV DESC: MIGRATION TO ECTR/NX
▽ = 0	MM/INCH	4:1	
▽ = 0	GENERAL TOLERANCES (UNLESS SPECIFIED)		EC NO: 623382
▽ = 0	4 PLACES ± --- ± ---		DRWN: ABENJAMINLW 2019/07/23
▽ = 0	3 PLACES ± --- ± SEE CHART		CHK'D: DACHAMMER 2019/09/03
▽ = 0	2 PLACES ± SEE CHART ± SEE CHART		APPR: JFMURPHY 2019/09/26
▽ = 0	1 PLACE ± SEE CHART ± ---		INITIAL REVISION:
▽ = 0	0 PLACES ± --- ± ---		DRWN: LROTHAUS 2006/01/09
▽ = 0	ANGULAR TOL ± ---		APPR: JPAWLICK 2006/01/10
□ = 0	DRAFT WHERE APPLICABLE MUST REMAIN WITHIN DIMENSIONS	THIRD ANGLE PROJECTION	DRAWING SERIES
▽ = 0		⊘	B-SIZE 39532
DOCUMENT STATUS		DOCUMENT NUMBER	DOC TYPE DOC PART REVISION
P1	RELEASE DATE 2019/09/26 15:47:10	SD-39532-003	PSD 001 A2
		MATERIAL NUMBER	CUSTOMER
		SEE TABLE	GENERAL MARKET
		SHEET NUMBER 2 OF 2	

10 9 8 7 6 5 4 3 2 1

Description	Circuit Size	Material Numbers												Dimensional Information			
		Black						Green						Dim. A		Dim B	
		100% Tin			30 u" Gold			100% Tin			30 u" Gold			mm	inch	mm	inch
		None	10A	11A	None	10A	11A	None	10A	11A	None	10A	11A				
5.08mm, Euro Header, Right Angle, Open End	2	395320002	395320102	395320202	395320502	395320602	395320702	395325002	395325102	395325202	395325502	395325602	395325702	10.16	0.400	5.09	0.200
5.08mm, Euro Header, Right Angle, Open End	3	395320003	395320103	395320203	395320503	395320603	395320703	395325003	395325103	395325203	395325503	395325603	395325703	15.24	0.600	10.16	0.400
5.08mm, Euro Header, Right Angle, Open End	4	395320004	395320104	395320204	395320504	395320604	395320704	395325004	395325104	395325204	395325504	395325604	395325704	20.32	0.800	15.24	0.600
5.08mm, Euro Header, Right Angle, Open End	5	395320005	395320105	395320205	395320505	395320605	395320705	395325005	395325105	395325205	395325505	395325605	395325705	25.40	1.000	20.32	0.800
5.08mm, Euro Header, Right Angle, Open End	6	395320006	395320106	395320206	395320506	395320606	395320706	395325006	395325106	395325206	395325506	395325606	395325706	30.48	1.200	25.40	1.000
5.08mm, Euro Header, Right Angle, Open End	7	395320007	395320107	395320207	395320507	395320607	395320707	395325007	395325107	395325207	395325507	395325607	395325707	35.56	1.400	30.48	1.200
5.08mm, Euro Header, Right Angle, Open End	8	395320008	395320108	395320208	395320508	395320608	395320708	395325008	395325108	395325208	395325508	395325608	395325708	40.64	1.600	35.56	1.400
5.08mm, Euro Header, Right Angle, Open End	9	395320009	395320109	395320209	395320509	395320609	395320709	395325009	395325109	395325209	395325509	395325609	395325709	45.72	1.800	40.64	1.600
5.08mm, Euro Header, Right Angle, Open End	10	395320010	395320110	395320210	395320510	395320610	395320710	395325010	395325110	395325210	395325510	395325610	395325710	50.80	2.000	45.72	1.600
5.08mm, Euro Header, Right Angle, Open End	11	395320011	395320111	395320211	395320511	395320611	395320711	395325011	395325111	395325211	395325511	395325611	395325711	55.88	2.200	50.80	2.000
5.08mm, Euro Header, Right Angle, Open End	12	395320012	395320112	395320212	395320512	395320612	395320712	395325012	395325112	395325212	395325512	395325612	395325712	60.96	2.400	55.88	2.200
5.08mm, Euro Header, Right Angle, Open End	13	395320013	395320113	395320213	395320513	395320613	395320713	395325013	395325113	395325213	395325513	395325613	395325713	66.04	2.600	60.96	2.400
5.08mm, Euro Header, Right Angle, Open End	14	395320014	395320114	395320214	395320514	395320614	395320714	395325014	395325114	395325214	395325514	395325614	395325714	71.12	2.800	66.04	2.600
5.08mm, Euro Header, Right Angle, Open End	15	395320015	395320115	395320215	395320515	395320615	395320715	395325015	395325115	395325215	395325515	395325615	395325715	76.20	3.000	71.12	2.800
5.08mm, Euro Header, Right Angle, Open End	16	395320016	395320116	395320216	395320516	395320616	395320716	395325016	395325116	395325216	395325516	395325616	395325716	81.28	3.200	76.20	3.000
5.08mm, Euro Header, Right Angle, Open End	17	395320017	395320117	395320217	395320517	395320617	395320717	395325017	395325117	395325217	395325517	395325617	395325717	86.36	3.400	81.28	3.200
5.08mm, Euro Header, Right Angle, Open End	18	395320018	395320118	395320218	395320518	395320618	395320718	395325018	395325118	395325218	395325518	395325618	395325718	91.44	3.600	86.36	3.400
5.08mm, Euro Header, Right Angle, Open End	19	395320019	395320119	395320219	395320519	395320619	395320719	395325019	395325119	395325219	395325519	395325619	395325719	96.52	3.800	91.44	3.600
5.08mm, Euro Header, Right Angle, Open End	20	395320020	395320120	395320220	395320520	395320620	395320720	395325020	395325120	395325220	395325520	395325620	395325720	101.60	4.000	96.52	3.800
5.08mm, Euro Header, Right Angle, Open End	21	395320021	395320121	395320221	395320521	395320621	395320721	395325021	395325121	395325221	395325521	395325621	395325721	106.68	4.200	101.60	4.000
5.08mm, Euro Header, Right Angle, Open End	22	395320022	395320122	395320222	395320522	395320622	395320722	395325022	395325122	395325222	395325522	395325622	395325722	111.76	4.400	106.68	4.200
5.08mm, Euro Header, Right Angle, Open End	23	395320023	395320123	395320223	395320523	395320623	395320723	395325023	395325123	395325223	395325523	395325623	395325723	116.84	4.600	111.76	4.400
5.08mm, Euro Header, Right Angle, Open End	24	395320024	395320124	395320224	395320524	395320624	395320724	395325024	395325124	395325224	395325524	395325624	395325724	121.92	4.800	116.84	4.600

TOLERANCES			
MM	TOL	INCH	TOL
0-6	±0.25	0-.24	±.010
>6-30	±0.40	.24-1.18	±.016
>30-120	±0.50	1.18-4.76	±.020
>120	±0.80	>4.76	±.031

REVISED DOC TOL  
 EC NO: PG2017-0861  
 DRAWN: CRADDREWS 2017/03/24  
 CHKD:  
 APPR: BRUPERT 2017/04/18

QUALITY SYMBOLS  
  
 DESCRIPTION  
 REV

GENERAL TOLERANCES (UNLESS SPECIFIED)

	mm	INCH
4 PLACES	± .005	± .0004
3 PLACES	± .008	± .0005
2 PLACES	± .012	± .0007
1 PLACE	± .015	± .0009

ANGULAR ± .005°

DRAFT WHERE APPLICABLE  
 MUST REMAIN WITHIN DIMENSIONS

DIMENSION STYLE  
**MM/IN**

DRAWN BY DATE  
 LROTHAUS 12/6/05

CHECKED BY DATE  
 C. YORK 01/05/06

APPROVED BY DATE

SCALE DESIGN UNITS  
 INCH

THIRD ANGLE PROJECTION

5.08MM, EURO HEADER, RIGHT ANGLE, OPEN END

MOLEX INCORPORATED

MATERIAL NO. SHEET NO.  
 SEE CHART SD-39532-003 2 OF 2

DOCUMENT NO.  
 THIS DRAWING CONTAINS INFORMATION THAT IS PROPRIETARY TO MOLEX INCORPORATED AND SHOULD NOT BE USED WITHOUT WRITTEN PERMISSION

Description	Circuit Size	Material Numbers												Dimensional Information			
		Black						Green						Dim. A		Dim B	
		100% Tin			30 u" Gold			100% Tin			30 u" Gold			mm	inch	mm	inch
		None	10A	11A	None	10A	11A	None	10A	11A	None	10A	11A				
5.08mm, Euro Header, Right Angle, Open End	2	395320002	395320102	395320202	395320502	395320602	395320702	395325002	395325102	395325202	395325502	395325602	395325702	10.16	0.400	5.09	0.200
5.08mm, Euro Header, Right Angle, Open End	3	395320003	395320103	395320203	395320503	395320603	395320703	395325003	395325103	395325203	395325503	395325603	395325703	15.24	0.600	10.16	0.400
5.08mm, Euro Header, Right Angle, Open End	4	395320004	395320104	395320204	395320504	395320604	395320704	395325004	395325104	395325204	395325504	395325604	395325704	20.32	0.800	15.24	0.600
5.08mm, Euro Header, Right Angle, Open End	5	395320005	395320105	395320205	395320505	395320605	395320705	395325005	395325105	395325205	395325505	395325605	395325705	25.40	1.000	20.32	0.800
5.08mm, Euro Header, Right Angle, Open End	6	395320006	395320106	395320206	395320506	395320606	395320706	395325006	395325106	395325206	395325506	395325606	395325706	30.48	1.200	25.40	1.000
5.08mm, Euro Header, Right Angle, Open End	7	395320007	395320107	395320207	395320507	395320607	395320707	395325007	395325107	395325207	395325507	395325607	395325707	35.56	1.400	30.48	1.200
5.08mm, Euro Header, Right Angle, Open End	8	395320008	395320108	395320208	395320508	395320608	395320708	395325008	395325108	395325208	395325508	395325608	395325708	40.64	1.600	35.56	1.400
5.08mm, Euro Header, Right Angle, Open End	9	395320009	395320109	395320209	395320509	395320609	395320709	395325009	395325109	395325209	395325509	395325609	395325709	45.72	1.800	40.64	1.600
5.08mm, Euro Header, Right Angle, Open End	10	395320010	395320110	395320210	395320510	395320610	395320710	395325010	395325110	395325210	395325510	395325610	395325710	50.80	2.000	45.72	1.600
5.08mm, Euro Header, Right Angle, Open End	11	395320011	395320111	395320211	395320511	395320611	395320711	395325011	395325111	395325211	395325511	395325611	395325711	55.88	2.200	50.80	2.000
5.08mm, Euro Header, Right Angle, Open End	12	395320012	395320112	395320212	395320512	395320612	395320712	395325012	395325112	395325212	395325512	395325612	395325712	60.96	2.400	55.88	2.200
5.08mm, Euro Header, Right Angle, Open End	13	395320013	395320113	395320213	395320513	395320613	395320713	395325013	395325113	395325213	395325513	395325613	395325713	66.04	2.600	60.96	2.400
5.08mm, Euro Header, Right Angle, Open End	14	395320014	395320114	395320214	395320514	395320614	395320714	395325014	395325114	395325214	395325514	395325614	395325714	71.12	2.800	66.04	2.600
5.08mm, Euro Header, Right Angle, Open End	15	395320015	395320115	395320215	395320515	395320615	395320715	395325015	395325115	395325215	395325515	395325615	395325715	76.20	3.000	71.12	2.800
5.08mm, Euro Header, Right Angle, Open End	16	395320016	395320116	395320216	395320516	395320616	395320716	395325016	395325116	395325216	395325516	395325616	395325716	81.28	3.200	76.20	3.000
5.08mm, Euro Header, Right Angle, Open End	17	395320017	395320117	395320217	395320517	395320617	395320717	395325017	395325117	395325217	395325517	395325617	395325717	86.36	3.400	81.28	3.200
5.08mm, Euro Header, Right Angle, Open End	18	395320018	395320118	395320218	395320518	395320618	395320718	395325018	395325118	395325218	395325518	395325618	395325718	91.44	3.600	86.36	3.400
5.08mm, Euro Header, Right Angle, Open End	19	395320019	395320119	395320219	395320519	395320619	395320719	395325019	395325119	395325219	395325519	395325619	395325719	96.52	3.800	91.44	3.600
5.08mm, Euro Header, Right Angle, Open End	20	395320020	395320120	395320220	395320520	395320620	395320720	395325020	395325120	395325220	395325520	395325620	395325720	101.60	4.000	96.52	3.800
5.08mm, Euro Header, Right Angle, Open End	21	395320021	395320121	395320221	395320521	395320621	395320721	395325021	395325121	395325221	395325521	395325621	395325721	106.68	4.200	101.60	4.000
5.08mm, Euro Header, Right Angle, Open End	22	395320022	395320122	395320222	395320522	395320622	395320722	395325022	395325122	395325222	395325522	395325622	395325722	111.76	4.400	106.68	4.200
5.08mm, Euro Header, Right Angle, Open End	23	395320023	395320123	395320223	395320523	395320623	395320723	395325023	395325123	395325223	395325523	395325623	395325723	116.84	4.600	111.76	4.400
5.08mm, Euro Header, Right Angle, Open End	24	395320024	395320124	395320224	395320524	395320624	395320724	395325024	395325124	395325224	395325524	395325624	395325724	121.92	4.800	116.84	4.600

TOLERANCES			
MM	TOL	INCH	TOL
0-6	±0.25	0-.24	±.010
>6-30	±0.40	.24-1.18	±.016
>30-120	±0.50	1.18-4.76	±.020
>120	±0.80	>4.76	±.031

REVISED DOC TOL  
 EC NO: PG2017-0861  
 DRAWN: CRADDREWS 2017/03/24  
 CHKD:  
 APPR: BRUPERT 2017/04/18

QUALITY SYMBOLS  
 ▽=0  
 ▽=0  
 A1

GENERAL TOLERANCES (UNLESS SPECIFIED)

	mm	INCH
4 PLACES	± .005	± .0004
3 PLACES	± .008	± .0005
2 PLACES	± .012	± .0007
1 PLACE	± .015	± .0009

ANGULAR ± .005°

DRAFT WHERE APPLICABLE  
 MUST REMAIN WITHIN DIMENSIONS

DIMENSION STYLE  
 MM/IN

DRAWN BY DATE  
 LROTHAUS 12/6/05

CHECKED BY DATE  
 C. YORK 01/05/06

APPROVED BY DATE

MATERIAL NO.  
 SEE CHART

SIZE B

SCALE DESIGN UNITS  
 INCH

THIRD ANGLE PROJECTION

5.08MM, EURO HEADER, RIGHT ANGLE, OPEN END

MOLEX MOLEX INCORPORATED

DOCUMENT NO. SD-39532-003 SHEET NO. 2 OF 2

THIS DRAWING CONTAINS INFORMATION THAT IS PROPRIETARY TO MOLEX INCORPORATED AND SHOULD NOT BE USED WITHOUT WRITTEN PERMISSION