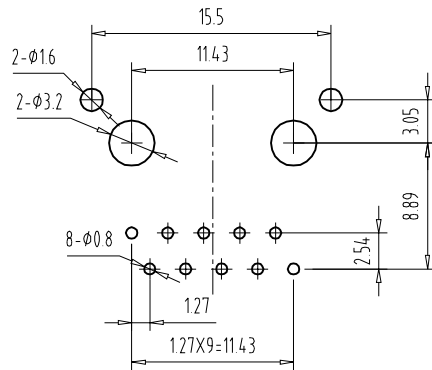
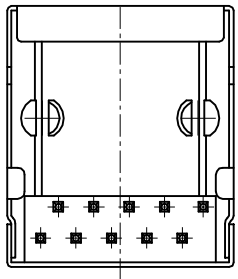
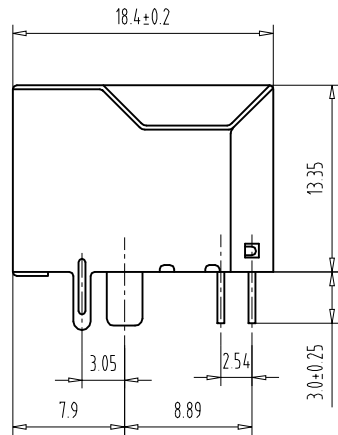
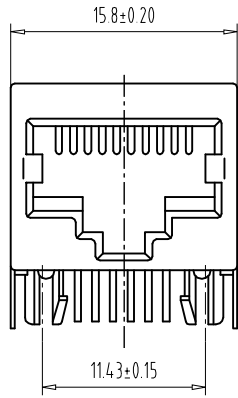


客户确认

日期



PC Board Layout
Component Side Shown

TOLERANCE TABLE

.0	±0.25
.00	±0.15
.000	±0.05

NOTES:

MATERIAL :

- 1.HOUSING MATERIAL :GLASS FILLED POLYESTER UL94V-0.
- 2.CONTACT MATERIAL :PHOSPHOR BRONZE φ0.45mm.
- 3.PLATING :GOLD PLATING OVER NICKEL.
- 4.SHIELD :0.20mm THICKNESS COPPER ALLOY WITH NICKEL PLATED.

ELECTRICAL:

- 1.VOLTAGE RATING :125 VAC RMS.
- 2.CURRENT RATING :1.5 AMP.
- 3.CONTACT RESISTANCE :30 MILLIOHMS MAX.
- 4.INSULATION RESISTANCE :500 MEGOHMS MIN @ 500V DC .
- 5.DIELECTRIC WITHSTANDING RESISTANCE :1000V AC RMS 50Hz. 1MIN.

MECHANICAL:

- 1.DURRABILITY :750 CYCLES MIN.
- 2.PCB RETENTION PRE-SOLDER :1 LB MIN.

ENVIRONMENTAL:

- 1. STORAGE : -40℃~+85℃
- 2. OPERATION : 0℃ TO 70℃.

PART NUMBER

核准:	日期:	Ckmtw 深圳市灿科盟实业有限公司 CHANKLEMENT INDUSTRYCO., LTD			
业务:	日期:	品名规格: RJ45 56A-1X1-/10P10C/8P8C-S-F3.05			
制图: luli-Liu	日期: 2014-9-3	客户料号:	R-RJ45R10P-B000		
		单位	mm	比例	/
		图纸编号:	Ckmtw-RJ45-0068	版本	A