

**MATERIALS AND FINISHES:**

TNC (73216-5350):  
 BODY, JAM NUT, CRIMP TUBE: BRASS  
 PLATED NICKEL  
 CENTER CONTACT: BERYLLIUM COPPER  
 PLATED GOLD 30 μ-in MIN OVER  
 NICKEL 100 μ-in MIN  
 INSULATOR: PTFE  
 LOCKWASHER: PHOSPHOR BRONZE  
 PLATED NICKEL  
 GASKET: SILICONE RUBBER 50-60 DUROMETER  
 COLOR RED, PIONEER CONDUCTOR RUBBER

MCRF:  
 BODY, CONTACT: COPPER ALLOY  
 PLATED: GOLD (30 μ-in MIN)  
 INSULATOR: TPX, 94-HB

CABLE:  
 1.32mm BRAID+BRAID DOUBLE SHIELDED CABLE  
 COLOR BLACK

SHRINK TUBE:  
 VERSAFIT OR EQUIVALENT

LABEL:  
 RAYCHEM RPS OR EQUIVALENT

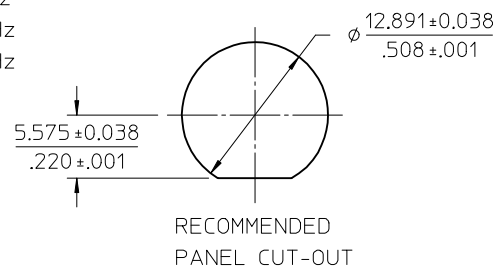
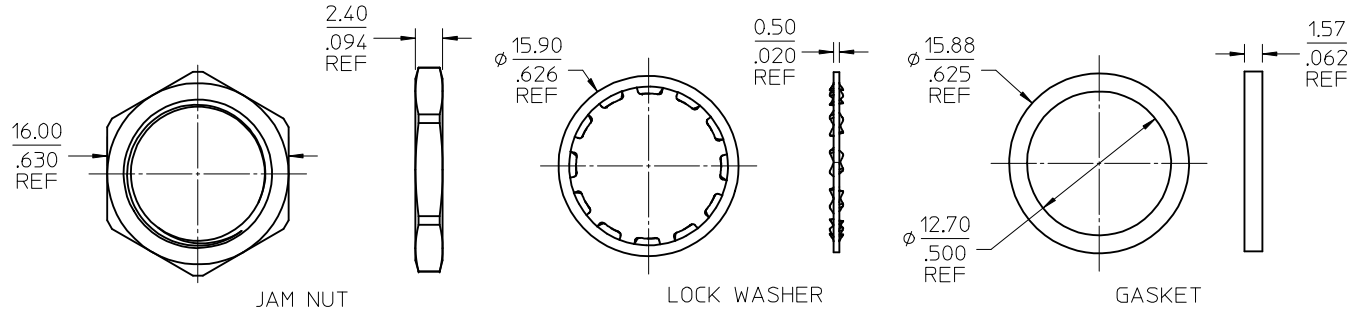
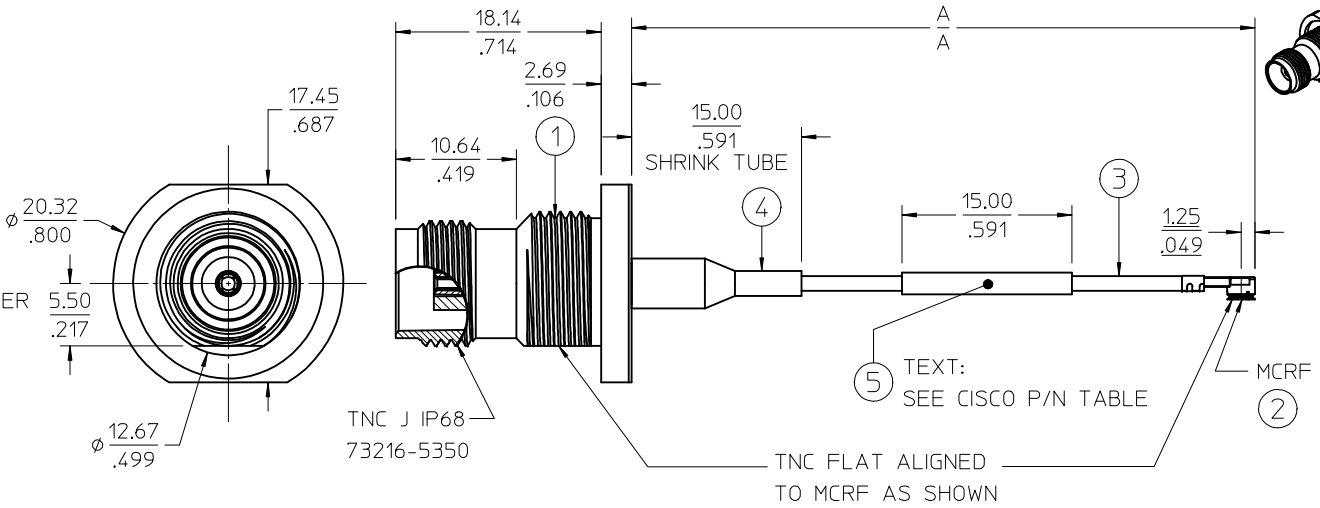
ELECTRICAL:  
 IMPEDANCE: 50 OHMS  
 VSWR: 1.5:1 MAX DC - 6 GHz  
 INSERTION LOSS: 89762-7670: 1.0 dB MAX DC - 6 GHz  
 89762-7671: 1.5 dB MAX DC - 6 GHz  
 89762-7672: 1.8 dB MAX DC - 6 GHz  
 89762-7673: 1.2 dB MAX DC - 6 GHz

DWV: 200 Vrms MIN

MECHANICAL:  
 DURABILITY: TNC 500 CYCLES  
 MCRF 30 CYCLES  
 TEMPERATURE RANGE: -40°C - +85°C

PACKAGING:  
 1 CABLE WITH HARDWARE/GASKET PER BAG WITH LABEL.  
 LABEL TEXT: CISCO P/N (SEE TABLE), MOLEX YYWW

89762-7673	2.559±.098	65.00±2.50	37-1799-01
89762-7672	8.504±.138	216.00±3.50	37-1800-01
89762-7671	4.724±.138	120.00±3.50	37-1625-02
89762-7670	2.165±.098	55.00±2.50	37-1700-01
PART NO.	IN	MM	CISCO P/N
A			



5	LABEL WHITE POLYOLEFIN
4	SHRINK TUBE BLACK POLYOLEFIN
3	1.32 MM DOUBLE SHIELDING CABLE, BLACK JACKET, SHEN YU
2	MCRF25 P
1	TNC JACK (MOLEX 73216-5350)
ITEM NO.	DESCRIPTION

CHG: ADD NEW PN. 89762-7672 89762-7673 EC NO: URF2016-0703 DRWN: JWB3 CHKD: YHUANG11 APPR: MYE08 2016/05/03 2016/05/04	QUALITY SYMBOLS ∇=0 ∇=0 ∇=0	GENERAL TOLERANCES (UNLESS SPECIFIED)		DIMENSION STYLE MM/IN		SCALE	DESIGN UNITS METRIC	THIRD ANGLE PROJECTION	
		4 PLACES ± --- ± --- 3 PLACES ± --- ± --- 2 PLACES ± --- ± --- 1 PLACE ± --- ± --- 0 PLACE ± --- ± ---	mm INCH ± --- ± --- ± --- ± --- ± --- ± --- ± --- ± ---	DRAWN BY CWE102	DATE 2015/06/22	TITLE CA, TNC J IP68 BK RM TO MCRF WITH 1.32DS CA-TNC_J/MCRF_P	APPROVED BY YCHENG	DATE 2015/10/06	MATERIAL NO. SEE TABLE
DRAFT WHERE APPLICABLE MUST REMAIN WITHIN DIMENSIONS		THIS DRAWING CONTAINS INFORMATION THAT IS PROPRIETARY TO MOLEX INCORPORATED AND SHOULD NOT BE USED WITHOUT WRITTEN PERMISSION							