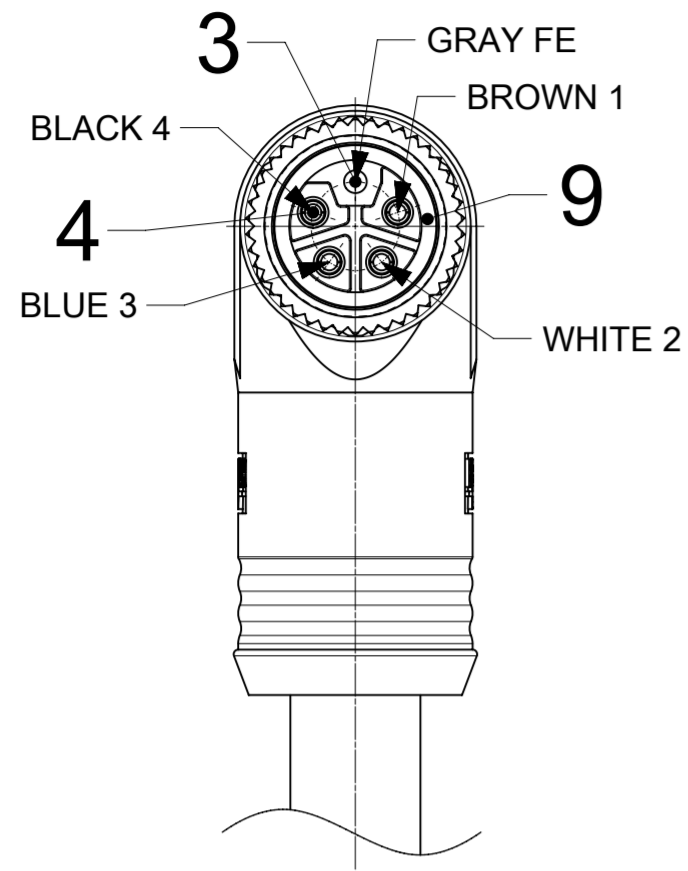
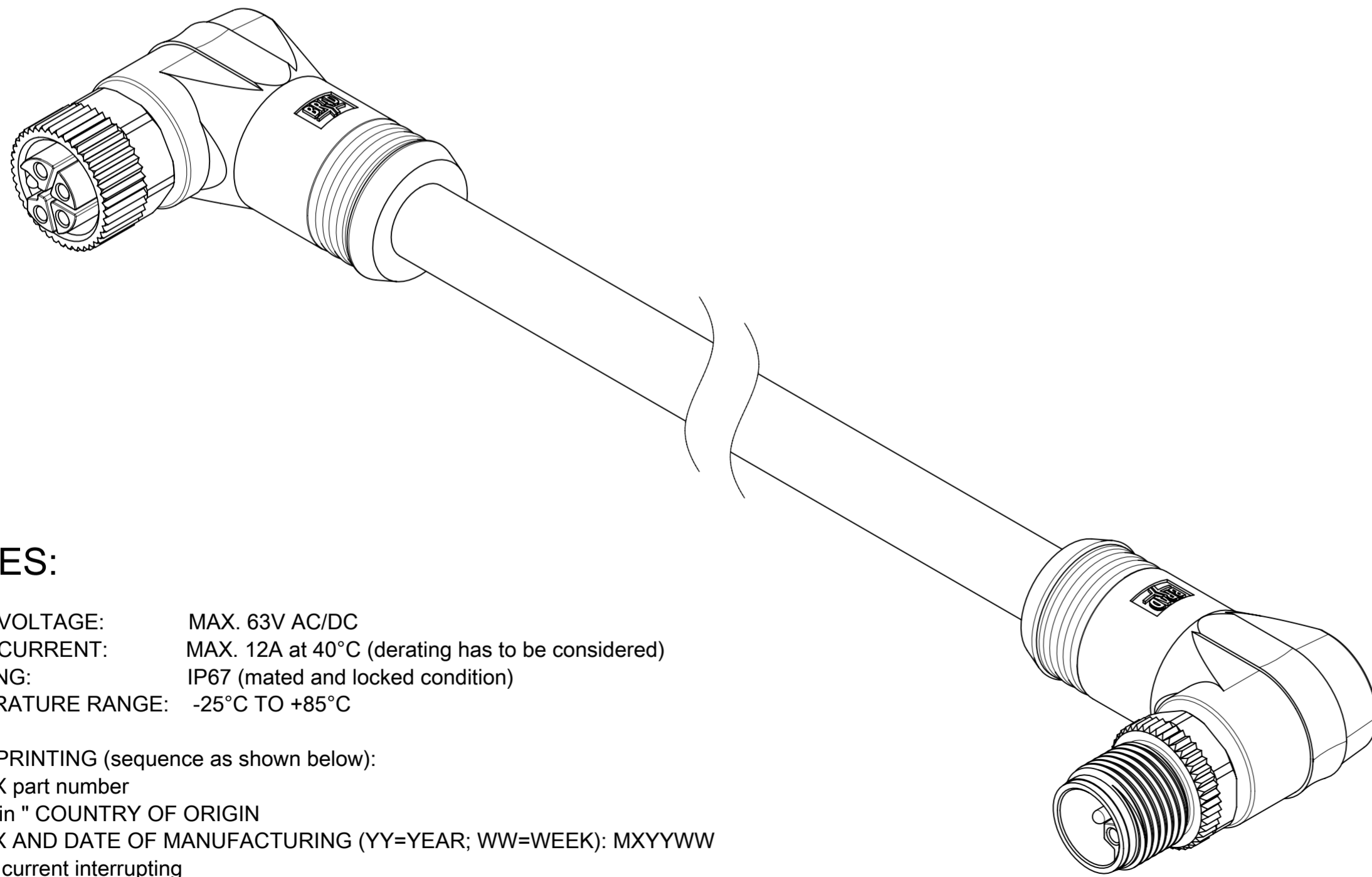
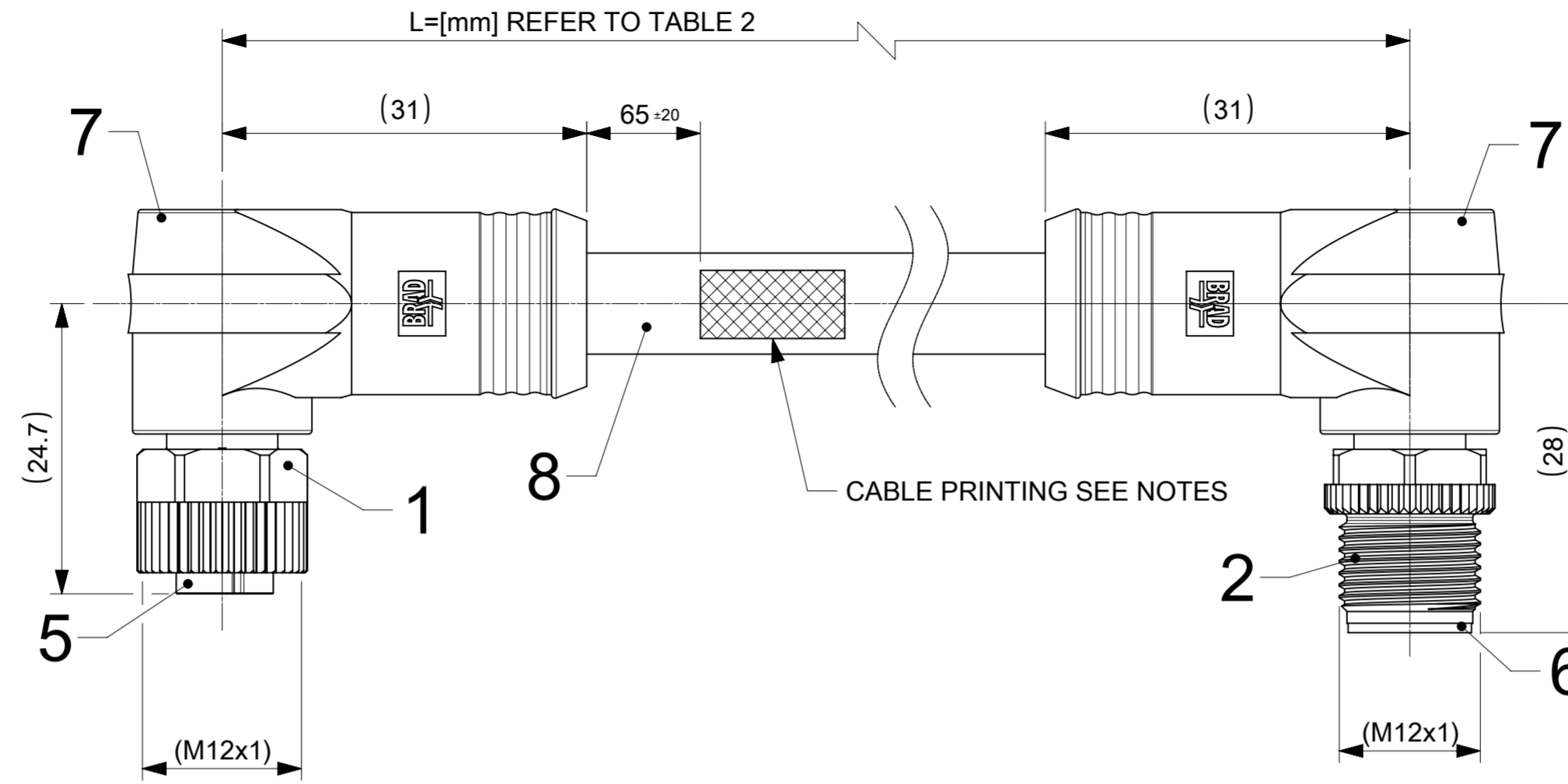
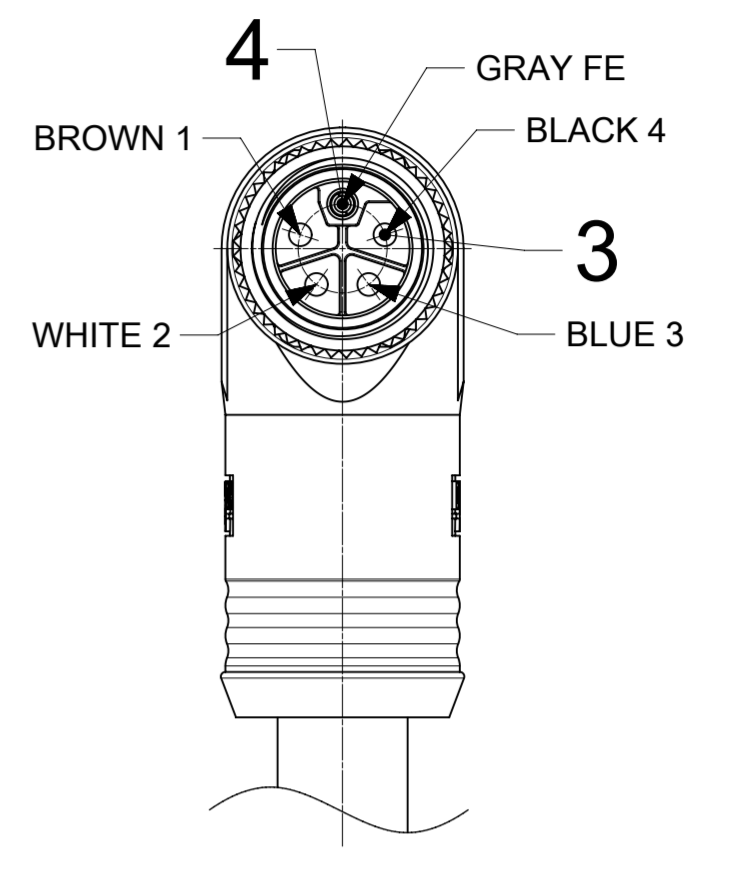


**MATING SIDE
FEMALE CONNECTOR**



**MATING SIDE
MALE CONNECTOR**



NOTES:

RATED VOLTAGE: MAX. 63V AC/DC
 RATED CURRENT: MAX. 12A at 40°C (derating has to be considered)
 IP RATING: IP67 (mated and locked condition)
 TEMPERATURE RANGE: -25°C TO +85°C

CABLE PRINTING (sequence as shown below):
 - MOLEX part number
 - "Made in " COUNTRY OF ORIGIN
 - MOLEX AND DATE OF MANUFACTURING (YY=YEAR; WW=WEEK): MXYYYWW
 - Not for current interrupting

PART ACCORDING PRODUCT SPEC: 1205010169
 PACKAGING ACCORDING PACKAGING SPEC: 1201202000

TABLE 1

| POS | DESCRIPTION | MATERIAL | FINISH |
|-------------|-----------------------|----------|--------|
| 1 | NUT M12 FE | BRASS | Ni |
| 2 | NUT M12 MA | BRASS | Ni |
| 3 | CONTACT 15 MA | BRASS | Au |
| 4 | CONTACT 15 FE | BRASS | Au |
| 5 | INSERT FEMALE | PA | GREY |
| 6 | INSERT MALE | PA | GREY |
| 7 | OVERMOLD | TPE | BLACK |
| 8 | CABLE 5x1.5 D8.6 WSOR | PUR | GREY |
| 9 | GASKET OR 8.2X1.25 | FKM | BLACK |
| OPTIONAL 10 | ID-CARRIER | - | - |

THIS DRAWING CONTAINS INFORMATION THAT IS PROPRIETARY TO MOLEX ELECTRONIC TECHNOLOGIES, LLC AND SHOULD NOT BE USED WITHOUT WRITTEN PERMISSION

FUNCTIONAL SYMBOLS: FA=0, FC=0, FP=0

DIVISIONAL SYMBOLS: 4 PLACES ±, 3 PLACES ±, 2 PLACES ± 0.05, 1 PLACE ± 0.3, 0 PLACES ± 0.5

GENERAL TOLERANCES (UNLESS SPECIFIED): ANGULAR TOL ± 1.0°

EC NO: 735577
 DRWN: MARUTD 2023/01/11
 CHK'D: RSILLER 2023/01/19
 APPR: RSILLER 2023/01/19

INITIAL REVISION:
 DRWN: FDAFERNER 2020/08/19
 APPR: RSILLER 2022/12/05

THIRD ANGLE PROJECTION

DRAFT WHERE APPLICABLE MUST REMAIN WITHIN DIMENSIONS

SCALE: 2:1

CURRENT REV DESC: UPDATED ATTRIBUTE TO GENERAL MARKET IN ECTR

molex

CSE M12 5P LC FE RA MA RA WSOR GY XM

PRODUCT CUSTOMER DRAWING

DOCUMENT NUMBER: 1205010224
 DOC TYPE: PSD
 DOC PART: 000
 REVISION: A1

MATERIAL NUMBER: SEE TABLE 2
 CUSTOMER: GENERAL MARKET
 SHEET NUMBER: 1 OF 2

ENGINEERING NO - NUMERICAL CODE (Available parts see PART LIST table. Other parts available upon request).

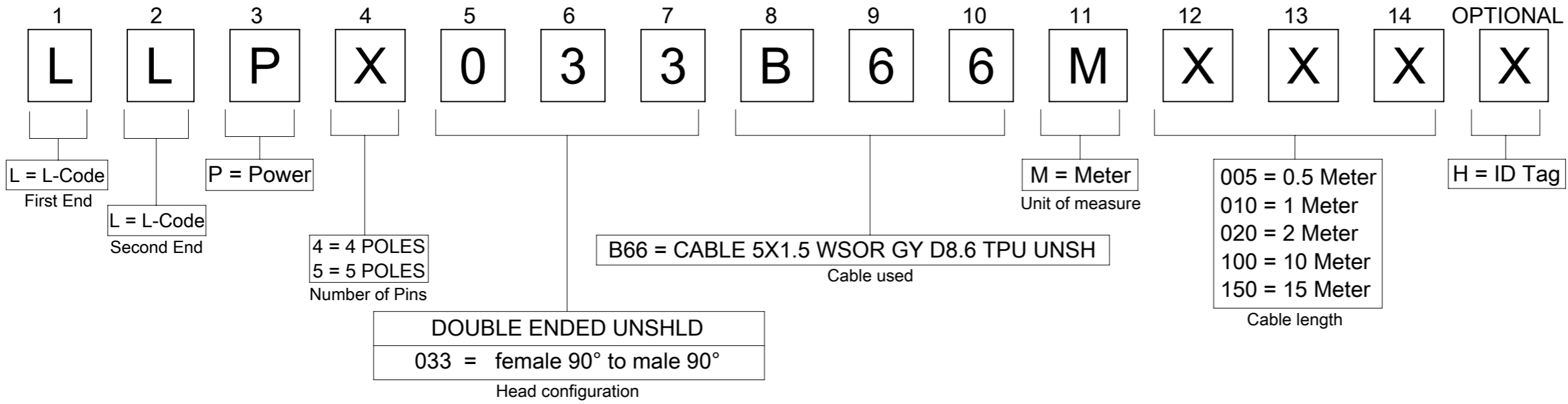


TABLE 2

| NOMINAL SECTION 1,5mm ² | | | |
|------------------------------------|-----------------|--------|----------------|
| MATERIAL NO. | ENGINEERING NO. | L [mm] | TOLERANCE [mm] |
| 1205010224 | LLP5033B66M005 | 500 | +40 |
| 1205010225 | LLP5033B66M010 | 1000 | +40 |
| 1205010226 | LLP5033B66M020 | 2000 | +60 |
| 1205010227 | LLP5033B66M030 | 3000 | +60 |
| 1205010228 | LLP5033B66M050 | 5000 | +60 |
| 1205010229 | LLP5033B66M100 | 10000 | +80 |
| 1205010230 | LLP5033B66M150 | 15000 | +140 |
| 1205010231 | LLP5033B66M200 | 20000 | +140 |

| | | | | |
|-----------------|----|--------------|------------|----------|
| DOCUMENT STATUS | P1 | RELEASE DATE | 2023/01/19 | 11:13:50 |
|-----------------|----|--------------|------------|----------|

| | | | | |
|--|---|---|---------------------------|--------------|
| FUNCTIONAL SYMBOLS | THIS DRAWING CONTAINS INFORMATION THAT IS PROPRIETARY TO MOLEX ELECTRONIC TECHNOLOGIES, LLC AND SHOULD NOT BE USED WITHOUT WRITTEN PERMISSION | | | |
| | $\nabla_A = 0$ $\nabla_B = 0$ $\nabla_C = 0$ | DIMENSION UNITS: mm SCALE: 1:1 | | |
| DIVISIONAL SYMBOLS | GENERAL TOLERANCES (UNLESS SPECIFIED) | | EC NO: 735577 | |
| | ANGULAR TOL $\pm 1.0^\circ$ | | DRWN: MARUTD 2023/01/11 | |
| | 4 PLACES \pm | | CHK'D: RSILLER 2023/01/19 | |
| | 3 PLACES \pm | | APPR: RSILLER 2023/01/19 | |
| 2 PLACES ± 0.05 | | INITIAL REVISION: | | |
| 1 PLACE ± 0.3 | | DRWN: FDAFERNER 2020/08/19 | | |
| 0 PLACES ± 0.5 | | APPR: RSILLER 2022/12/05 | | |
| DRAFT WHERE APPLICABLE MUST REMAIN WITHIN DIMENSIONS | | THIRD ANGLE PROJECTION | DRAWING | SERIES |
| | | | A3-SIZE | 120501 |
| | | MATERIAL NUMBER | CUSTOMER | SHEET NUMBER |
| | | SEE TABLE 2 | GENERAL MARKET | 2 OF 2 |