

MATERIALS AND FINISHES:

SMA JACK STR CONNECTOR:

BODY, CRIMP TUBE, JAM NUT: BRASS
PLATED GOLD

CENTER CONTACT: BERYLLIUM COPPER
PLATED GOLD

INSULATOR: TEFLON

LOCK WASHER: PHOSPHOR BRONZE
PLATED GOLD

GASKET: SILICONE RUBBER

CONNECTOR:

MHF® I LK

MATED HEIGHT: 2.90MM MAX

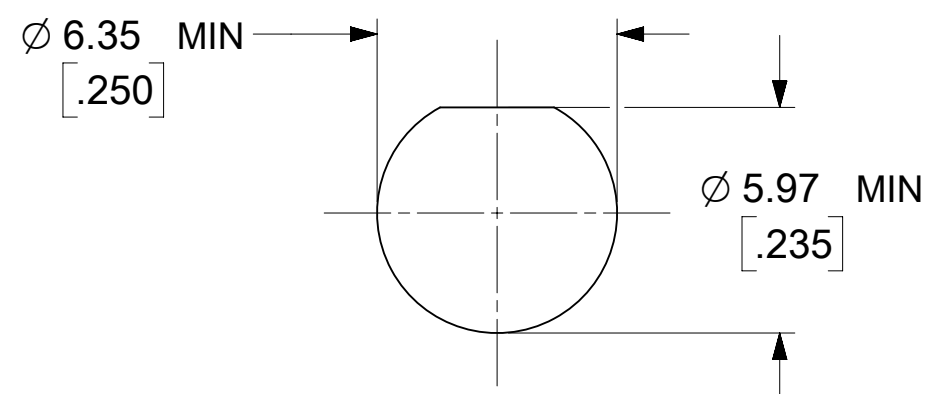
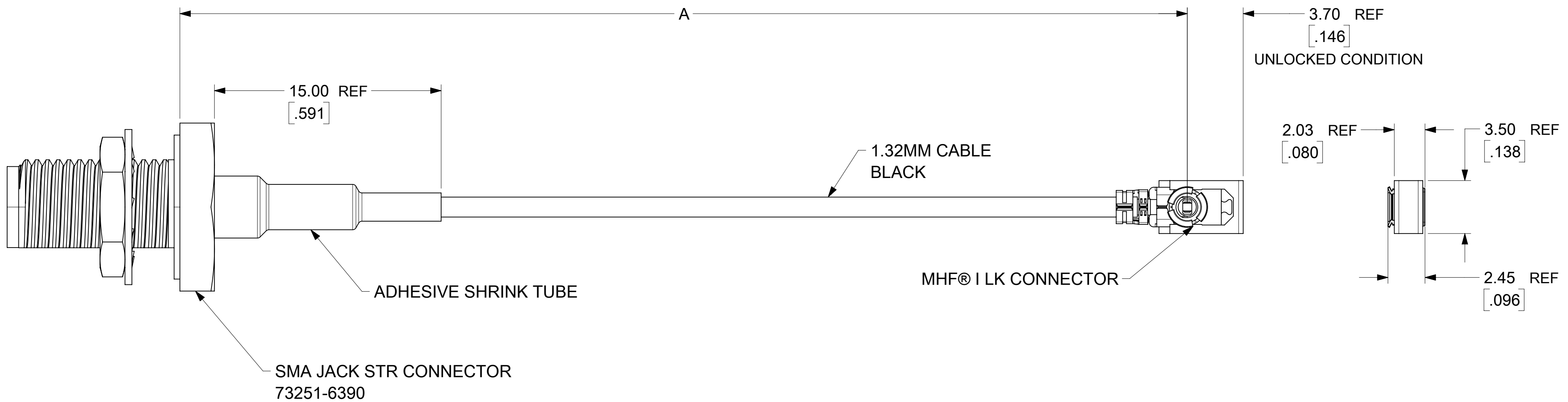
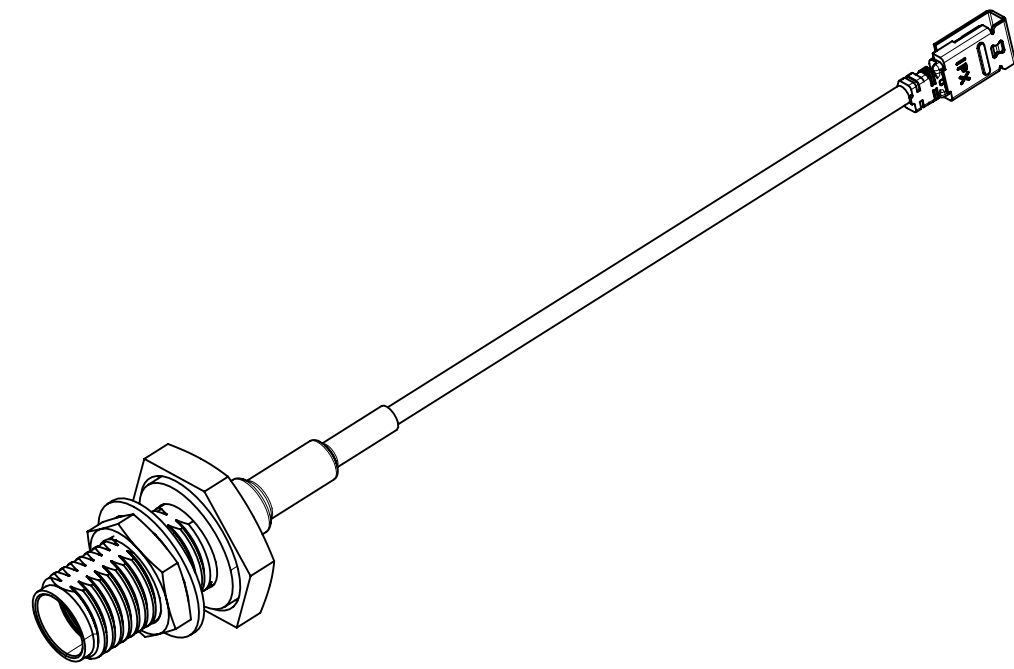
CABLE: 1.32MM CABLE BLACK

NOTES:

PACKAGING BY PLASTIC BAG

PERFORMANCE REQUIREMENTS:

1. FREQUENCY: DC~ 6GHz
2. IMPEDANCE: 50 OHMS
3. TEST 100% CONTINUITY
4. TEST 100% HI-POT: AC 350 V@0.5mA



RECOMMENDED MOUNTING HOLE

| | | |
|------------|-------------|-------------|
| 73230-6205 | 2.000±.118 | 50.80±3.00 |
| 73230-6204 | 4.000±.197 | 101.60±5.00 |
| 73230-6203 | 6.000±.197 | 152.40±5.00 |
| 73230-6202 | 8.000±.197 | 203.20±5.00 |
| 73230-6201 | 10.000±.197 | 254.00±5.00 |
| 73230-6200 | 12.087±.236 | 307.00±6.00 |
| PART No. | IN | MM |
| | A | |

| FUNCTIONAL SYMBOLS | THIS DRAWING CONTAINS INFORMATION THAT IS PROPRIETARY TO MOLEX ELECTRONIC TECHNOLOGIES, LLC AND SHOULD NOT BE USED WITHOUT WRITTEN PERMISSION | | |
|--------------------|---|-------------------|--|
| DIMENSION UNITS | SCALE | CURRENT REV DESC: | |
| $\frac{F}{A} = 0$ | mm | NTS | ADD NEW PART No: 732306201, 732306202, 732306203, 732306204, 732306205 |
| $\frac{F}{E} = 0$ | GENERAL TOLERANCES (UNLESS SPECIFIED) | | |
| $\frac{F}{P} = 0$ | ANGULAR TOL ± ° | | |
| DIVISIONAL SYMBOLS | 4 PLACES | ± | EC NO: 755979 |
| | 3 PLACES | ± | DRWN: JCHEN108 2023/07/07 |
| | 2 PLACES | ± | CHK'D: MYLU07 2023/07/07 |
| | 1 PLACE | ± | APPR: LCHEN03 2023/07/07 |
| | 0 PLACES | ± | INITIAL REVISION: |
| | DRAFT WHERE APPLICABLE MUST REMAIN WITHIN DIMENSIONS | | |
| | THIRD ANGLE PROJECTION | DRAWING | SERIES |
| | | C-SIZE | 73230 |
| | DOCUMENT NUMBER | | DOC TYPE DOC PART REVISION |
| | 732306200 | | PSD 000 B |
| | MATERIAL NUMBER | CUSTOMER | SHEET NUMBER |
| | SEE TABLE | GENERAL MARKET | 1 OF 1 |

| DOCUMENT STATUS | P1 | RELEASE DATE | 2023/07/07 09:38:57 |
|-----------------|----|--------------|---------------------|
| 12 | 11 | 10 | 9 |