

PLANAR SCHOTTKY BARRIER DIODE

- ◇ Low current rectification
- ◇ Low forward voltage
- ◇ **SOD-923** Micro SMD package (Fig-1)
Dimensions: 1.0 mm x 0.6 mm (0.039" x 0.024")
- ◇ RoHS compliant
- ◇ UL-94 V-0 / Green EMC
- ◇ Matte Tin Lead finish (Pb-Free)
- ◇ Moisture Level Sensitivity 1
- ◇ Cathode Band / Device marking:

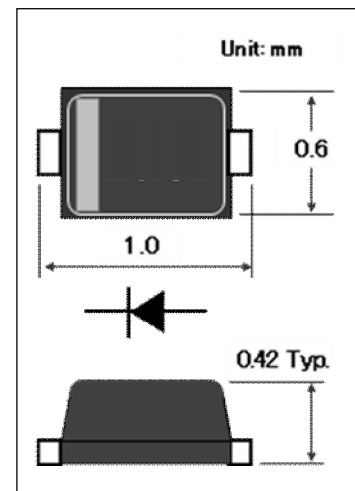


Fig -1 Package **SOD-923**

Absolute Maximum Ratings (Ta = 25 °C)

Symbol	Parameter	Value	Units
V_{RRM}	Repetitive Peak Reverse Voltage	30	V
V_R	Reverse Voltage	30	V
I_O	Continuous Forward Current	100	mA
I_{FSM}	Non-Repetitive Peak Forward Current *1	500	mA
T_J	Junction Temperature	125	°C
T_{STG}	Storage Temperature	-55 to +125	°C

*1: 8.3ms Single Half Sine-Wave

Electrical Characteristics (Ta = 25 °C)

Symbol	Parameter	Conditions	Min	TYP	Max	Units
V_F	Forward Voltage	$I_F = 10mA$			0.35	V
		$I_F = 100mA$			0.55	V
BV_R	Breakdown Voltage	$I_R = 100 \mu A$	30			V
I_R	Reverse Current	$V_R = 10V$			10	μA
		$V_R = 30V$			50	μA

Ordering Information

Device	Package	Tape wide	Embos pitch	Tape specification	Notes
RB521CS-30	SOD-923	8 mm	2 mm	Conductive	

Package Dimensions

