



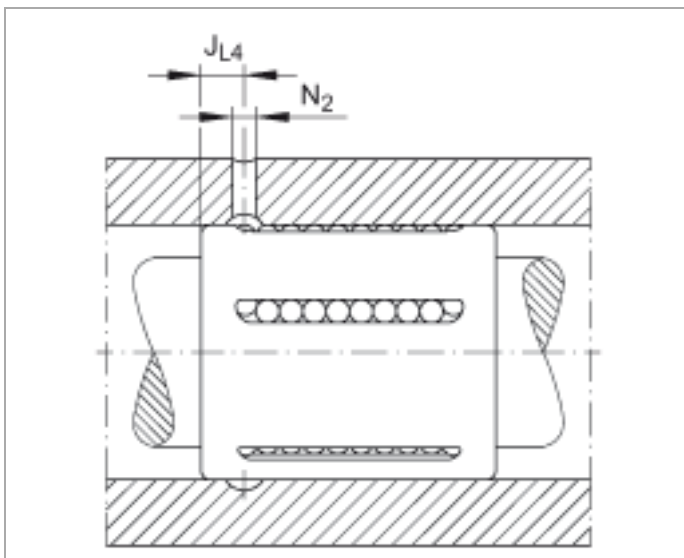
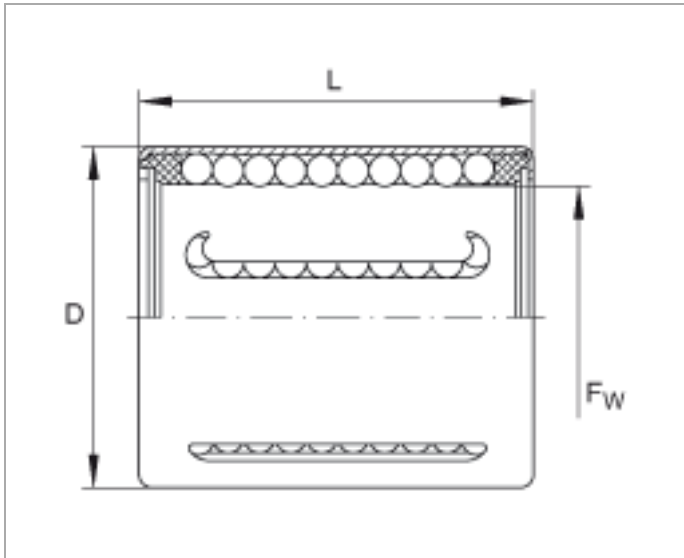
115.111.129.98KHLinear-Kugellager

Linear ball bearings KH06 (Series KH)

with preservative, not sealed, with relubrication facility

The datasheet is only an overview of dimensions and basic load ratings of the selected product. Please always observe all the guidelines in these overview pages. Further information is given on many products under the menu item "Description". You can also order comprehensive information via the Catalogue ordering system (https://www.schaeffler.de/content.schaeffler.de/en/news_media/index.jsp) or by telephone on +49 (91 32) 82 - 28 97.

F _w	6 mm
D	12 mm
L	22 mm
	Shaft diameter d _{Lw} , Fase x d _{Lw} ≤ 10: x = 1 tolerance +1 10 < d _{Lw} ≤ 30: x = 1,5 tolerance +1 30 < d _{Lw} ≤ 80: x = 2,5 tolerance +1
JL4	4 mm
N2	2 mm
	Supplied coated with a preservative
m	7 g Mass of bearing The basic load ratings are valid only for hardened (650 HV + 165 HV) and ground shaft raceways.
C _{min}	340 N Basic dynamic load rating
C ₀	240 N Basic static load rating
C _{min}	
C _{max}	390 N Basic dynamic load rating
C ₀	340 N Basic static load rating
C _{max}	
	Designs with anti-corrosion protection have the suffix -RR.



Mounting dimensions