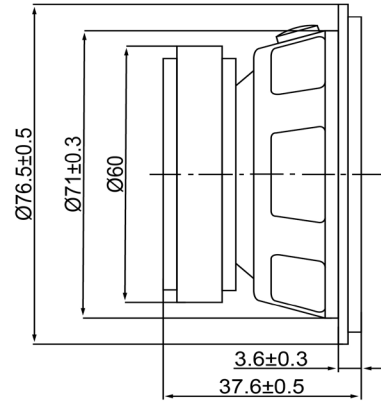
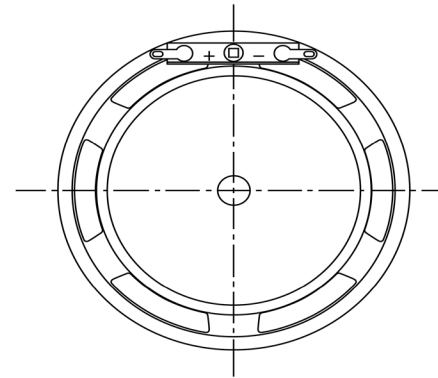




SIDE VIEW



BOTTOM VIEW



Specifications			Notes	Revision History							
Description	Value	Unit		Version	Description	Date	Approved				
Shape	Round		1) All dimensions are in mm unless otherwise noted 2) All parts meet RoHS	1	Released from Engineering	10/21/2013	J.S				
Resonant Frequency	300	(Hz)									
Frequency Range	300 ~ 12,000	(Hz)									
SPL @ 10cm	106	(dBA)									
Impedance	4	(Ohm)									
Cone Material	Mylar										
Nominal Power	10	(W)									
Max Power	15	(W)									
Mount Type	Flush										
Operating Temperature	-20 ~ +55	°C									
Storage Temperature	-20 ~ +55	°C									
Weight	240	(g)									
						Drawn by	Date	Checked by	Date	Approved by	Date
						A.B.	10/21/2013	C.E.	10/21/2013	J.S	10/21/2013
			Dynamic Speaker			SM760304-1					