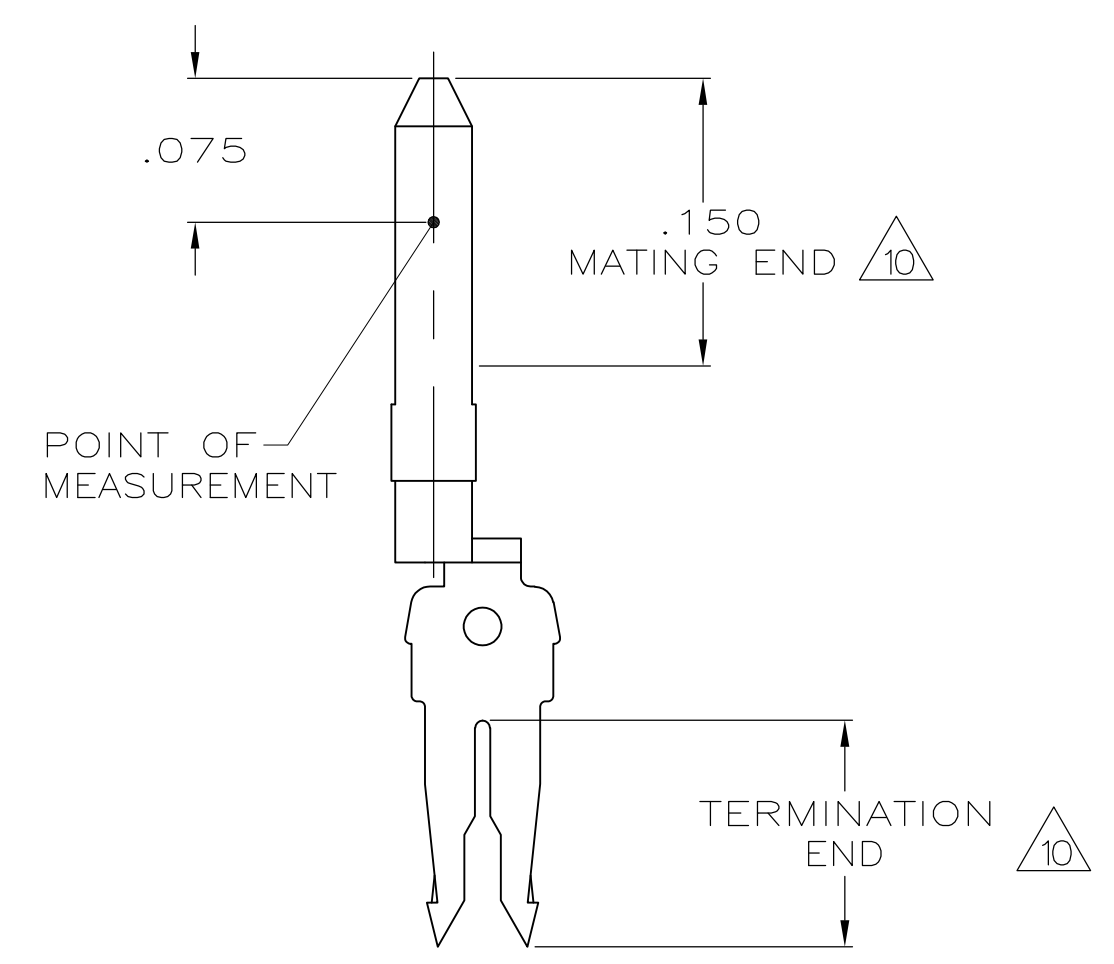
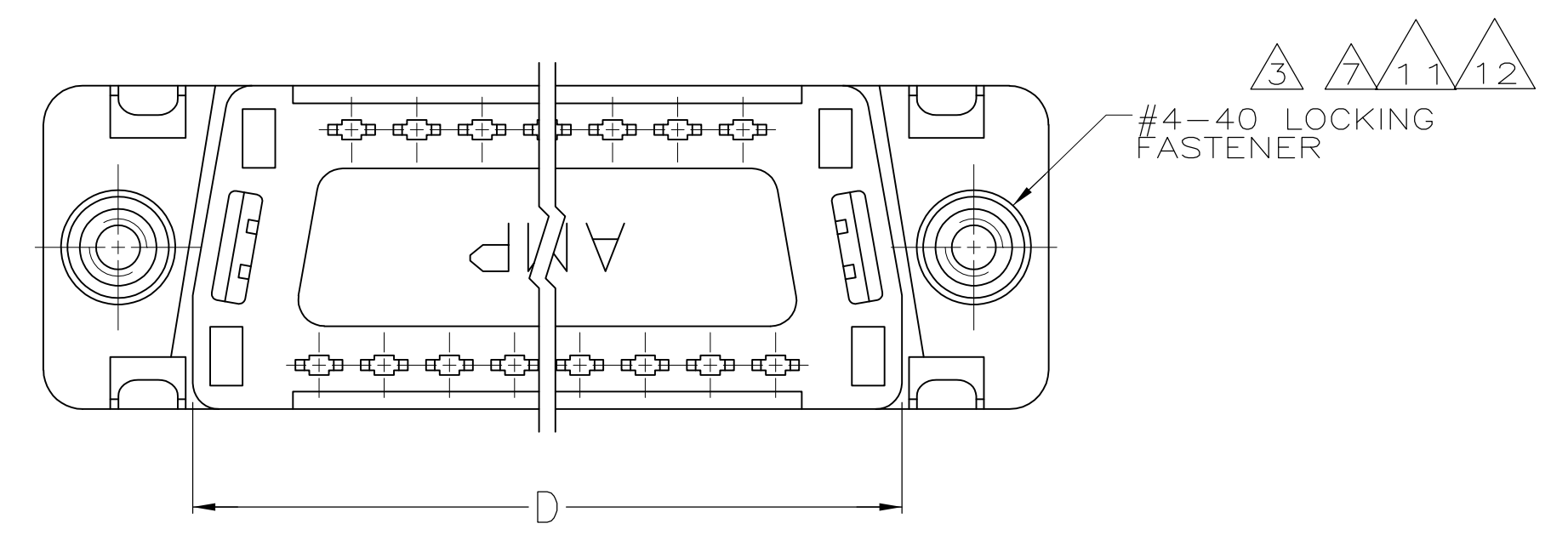


TERMINATED VIEW  
W/COVER ASSEMBLED



DETAIL Z  
SCALE 10:1

1. CONNECTORS COMPLY WITH AMP SPEC. 108-40012 AND MATE WITH ANY SAME NUMBER POSITION RECEPTACLE CONNECTOR IN AMPLIMITE SERIES.
2. CONNECTOR DESIGNED FOR 28 AND 26 AWG STRANDED AND SOLID CONDUCTOR RIBBON CABLE ON .050  $\phi$ .
3. FASTENERS WILL WITHSTAND 6 IN. LBS. TORQUE AND 50 LBS PULL OUT FORCE FROM MATING FACE SIDE.
4. MOLDED PARTS: UL RATED 94 V-0 THERMOPLASTIC, COLOR: BLACK.
5. SHELL: STEEL PER QQ-S-698.
6. CONTACTS: PHOSPHOR BRONZE PER QQ-B-750.
7. FASTENERS: BRASS PER QQ-B-626.
8. GOLD PLATING PER MIL-G-45204, TIN PLATING PER MIL-T-10727, NICKEL PLATING PER QQ-N-290.
9. SHELL: BRIGHT TIN PLATED.
10. CONTACTS:  
 .000030 GOLD ON MATING END, .000100-.000200 MATTE TIN ON TERMINATION END, ALL OVER .000050 NICKEL ON ENTIRE CONTACT.  
 OR  
 GOLD FLASH OVER PALLADIUM-NICKEL ON MATING END, .000030 MIN TOTAL, .000100-.000200 MATTE TIN ON TERMINATION END, ALL OVER .000050 NICKEL ON ENTIRE CONTACT.
11. LOCKING FASTENER IS COLOR CODED BLUE TO IDENTIFY SELF-LOCKING FEATURE.
12. LOCKING FEATURE PROVIDES A RESISTIVE TORQUE OF 10 TO 80 IN-OZ, USING A 4-40 GAUGE SCREW.

1.216	.984	.759	.666	.400	8	9	5746862-4
F	E	D	C	B	A	NO OF POS	PART NUMBER

THIS DRAWING IS A CONTROLLED DOCUMENT.

DW	EL	MCMASTER	31MAR04	Tyco Electronics Corporation Harrisburg, PA 17105-3608
CHK	C	ROHDE	31MAR04	
APPD	M	WALMSLEY	31MAR04	NAME
DIMENSIONS: INCHES				PRODUCT SPEC
TOLERANCES UNLESS OTHERWISE SPECIFIED:				APPLICATION SPEC
0 PLC	±	-		SIZE
1 PLC	±	-		CAGE CODE
2 PLC	±	-		DRAWING NO
3 PLC	±	.005		RESTRICTED TO
4 PLC	±	-		WEIGHT
ANGLES	±	'		A1
FINISH	±	'		00779
MATERIAL				5746862
FINISH				CUSTOMER DRAWING

SCALE 4:1 SHEET 1 OF 1 REV C