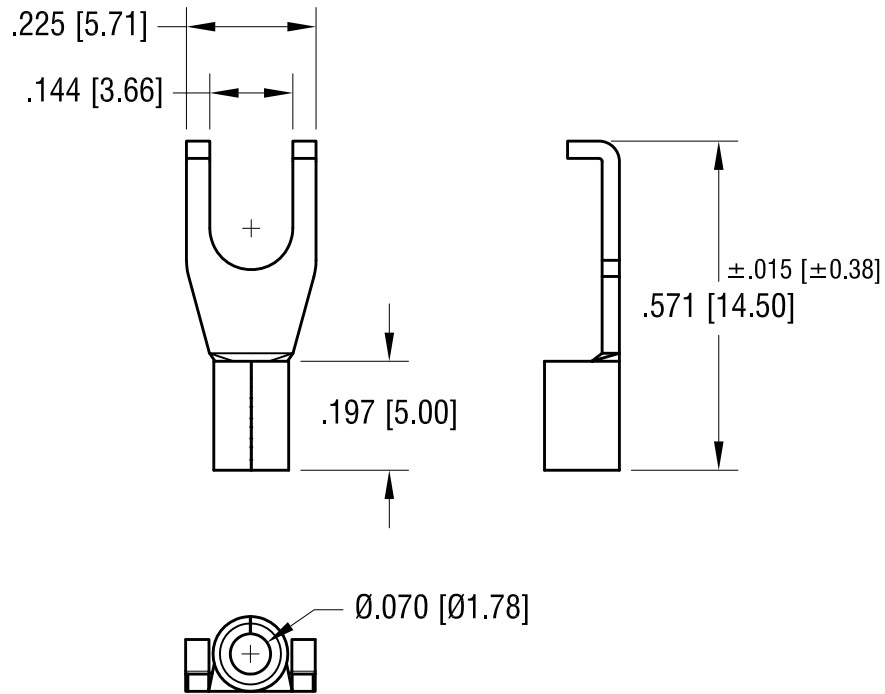


THIS DOCUMENT IS THE PROPERTY OF
KEYSTONE ELECTRONICS CORP. AND
SHALL NOT BE REPRODUCED, DISTRIBUTED
OR USED AS A BASIS FOR MANUFACTURE
WITHOUT PRIOR WRITTEN PERMISSION
FROM KEYSTONE ELECTRONICS CORP.

ACTUAL SIZE



NOTE:

1. ACCOMMODATES WIRE RANGE 22/18 AWG

3.12.24	UPDATE PER NEW TOOLING CHANGE AS PER PCN 24-019	A
DATE	DESCRIPTION	REV.

KEYSTONE ELECTRONICS CORP.			
www.keyelco.com • NEW HYDE PARK NY 11040 • Tel (516)328-7500			
PART NAME FLANGE BLOCK SPADE TERMINAL			
MATERIAL .030 [0.76] TH'K COPPER			
FINISH TIN PLATE		DRN BY BOONE	DATE 10.29.07
		APP'D RH	SCALE 3X
TOLERANCES DECIMAL ANGULAR UNLESS OTHERWISE SPECIFIED	INCH [MM] ± .010 [± 0.25] ± 1°	CODE C	DWG NO. 8236