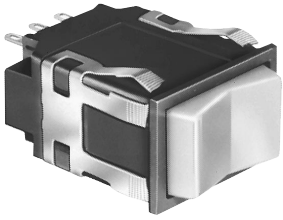


Manual Switches

Electronic Control Rocker

INCANDESCENT OR NON-LIGHTED DISPLAY



FEATURES

- Silver or gold contacts.
- 2 or 3 position operation.
- UL recognized, CSA certified.
- Lamps can be furnished installed or ordered separately.
- Lamp circuit independent of switch circuit.

Electrical Data	page 19
Rockers	page 51
Lamps	page 58
Accessories	pages 56, 57
Mounting Dimensions	pages 59, 62

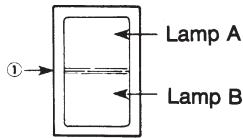


*AML24 Series: 1 pole and 2-pole only.

Rocker operators ordered separately.

AML24 ORDER GUIDE

AML24 E	B	A	2	AA	01
Housing Type	Bezel Color	Incandescent Lamp Type	Terminal Type	Circuitry Codes	Operating Action
AML24 E Rectangular Non-Lighted AML24 F Rectangular 1 Lamp Ckt. (A) AML24 G Rectangular 2 Lamp Ckts.	B Black	A No Lamp Installed B 6 V Lamp* C 14 V Lamp* E 28 V Lamp*	2 .110 × .020 (Solder or Quick-Connect) 3 .025 × .025 (Printed Ckt., or Push-on)	Insert Code letters as shown in Circuitry Chart	Insert Code numbers from Operating Action Chart



① The "MICRO SWITCH" identification is shown on this side of the switch housings.

* Lamps will be installed per each lamp circuit specified in the Housing Type.

Example: AML24EBA2AA01

Rectangular non-lighted rocker switch housing; black bezel; .110 × .020 terminals; with one circuit ON and one circuit OFF in each extreme operator position (maintained).

CIRCUITRY

Silver Contacts	Gold Contacts	2-Position	3-Position	
AA	BA			
AC	BC			
(Non-illuminated switches only)				
CA	DA			
CC	DC			
(Non-illuminated switches only)				

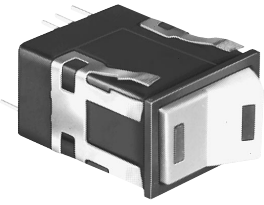
OPERATING ACTION

2-Position:			
Maint.	01 None	Maint.	
Mom.	02 None	Maint.	
Maint.	03 None	Mom.	
3-Position:			
Maint.	04 Maint.	Maint.	
Mom.	05 Maint.	Mom.	
Maint.	06 Maint.	Mom.	
Mom.	07 Maint.	Maint.	

Manual Switches

Electronic Control Rocker

LED DISPLAY



Rocker operators ordered separately.
LEDs are not replaceable.

FEATURES

- Identical to AML24, except furnished with one or two rectangular high efficiency LED's which give flush display area and wide angle indication.
- Available with or without diode protection for LED's.
- LED circuit independent of switch circuit.

Electrical Data	page 19
Rockers	page 52
Lamps and LEDs	page 58
Accessories	page 57
Mounting Dimensions	pages 59, 62

- 5 thru 24 VDC LED devices have internal resistor to maintain current at nominal 20 mA.
- UL recognized, CSA certified.



*AML26 Series: 1 pole and 2-pole only.

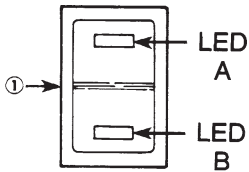
AML26 ORDER GUIDE

AML26 F B B 2 AA 01 R X

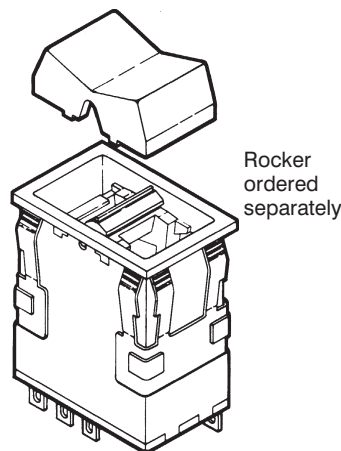
Housing Type	Bezel Color	LED Voltage	Terminal Type/ Diode Protection	Circuitry Codes	Operating Action	LED Color (LED A)	LED Color (LED B)
AML26 F 1 LED	B Black	B V*	2 .110 × .020 (Solder or Quick-Connect)	Insert code letters as shown in Circuitry Chart	Insert code numbers from Operating Action Chart	R Red	R Red
AML26 G 2 LED's		C 5 V	3 .025 × .025 (Printed Ckt., or Push-On)	LED version available only with AA BA CA DA circuitry		Y Yellow	Y Yellow
		D 10 V	8 .110 × .020 w/Diode for LED protection			G Green	G Green
		E 15 V				X No LED	X No LED
		F 24 V					

*See LED application information for devices without current-limiting resistor, page 58.

Example: **AML26FBB2AA01RX**
Rectangular rocker switch; illuminated with one LED, this device has a black bezel, .110 × .020 terminals; with one circuit ON and one circuit OFF in each extreme operator position (maintained).



① The "MICRO SWITCH" identification is shown on this side of the switch housings.



Manuals

Mouser Electronics

Authorized Distributor

Click to View Pricing, Inventory, Delivery & Lifecycle Information:

Honeywell:

[AML24EBA2AA01](#) [AML24EBA2AA02](#) [AML24EBA2AA03](#) [AML24EBA2AA04](#) [AML24EBA2AA05](#) [AML24EBA2AA06](#)
[AML24EBA2AA07](#) [AML24EBA2AC01](#) [AML24EBA2AC02](#) [AML24EBA2AC03](#) [AML24EBA2AC04](#) [AML24EBA2AC05](#)
[AML24EBA2AC06](#) [AML24EBA2AC07](#) [AML24EBA2BA01](#) [AML24EBA2BA02](#) [AML24EBA2BA03](#) [AML24EBA2BA04](#)
[AML24EBA2BA05](#) [AML24EBA2BA06](#) [AML24EBA2BA07](#) [AML24EBA2BC01](#) [AML24EBA2BC02](#) [AML24EBA2BC03](#)
[AML24EBA2BC04](#) [AML24EBA2BC05](#) [AML24EBA2BC06](#) [AML24EBA2CA01](#) [AML24EBA2CA02](#) [AML24EBA2CA03](#)
[AML24EBA2CA04](#) [AML24EBA2CA05](#) [AML24EBA2CA06](#) [AML24EBA2CA07](#) [AML24EBA2CC01](#) [AML24EBA2CC02](#)
[AML24EBA2CC03](#) [AML24EBA2CC04](#) [AML24EBA2CC05](#) [AML24EBA2CC06](#) [AML24EBA2CC07](#) [AML24EBA2DA01](#)
[AML24EBA2DA04](#) [AML24EBA2DA05](#) [AML24EBA2DC01](#) [AML24EBA2DC04](#) [AML24EBA2DC05](#) [AML24EBA2DC06](#)
[AML24EBA3AA01](#) [AML24EBA3AA02](#) [AML24EBA3AA03](#) [AML24EBA3AA04](#) [AML24EBA3AA05](#) [AML24EBA3AA06](#)
[AML24EBA3AA07](#) [AML24EBA3AC01](#) [AML24EBA3AC02](#) [AML24EBA3AC04](#) [AML24EBA3AC05](#) [AML24EBA3AC06](#)
[AML24EBA3BA01](#) [AML24EBA3BA02](#) [AML24EBA3BA03](#) [AML24EBA3BA04](#) [AML24EBA3BA05](#) [AML24EBA3BC01](#)
[AML24EBA3BC03](#) [AML24EBA3BC04](#) [AML24EBA3BC05](#) [AML24EBA3CA05](#) [AML24EBA3CC01](#) [AML24EBA3CC04](#)
[AML24EBA3DC01](#) [AML24EBA3DC04](#) [AML24EBA3DC05](#) [AML24FBA2AA01](#) [AML24FBA2AA02](#) [AML24FBA2AA04](#)
[AML24FBA2AA05](#) [AML24FBA2AA06](#) [AML24FBA2BA04](#) [AML24FBA2BA05](#) [AML24FBA2CA01](#) [AML24FBA2CA02](#)
[AML24FBA2CA04](#) [AML24FBA2CA05](#) [AML24FBA2CA06](#) [AML24FBA2CA07](#) [AML24FBA2DA01](#) [AML24FBA2DA02](#)
[AML24FBA3AA04](#) [AML24FBA3DA01](#) [AML24FBB2AA01](#) [AML24FBB2AA02](#) [AML24FBB2AA05](#) [AML24FBB2BA06](#)
[AML24FBB3AA01](#) [AML24FBC2AA01](#) [AML24FBC2AA04](#) [AML24FBC2AA05](#)