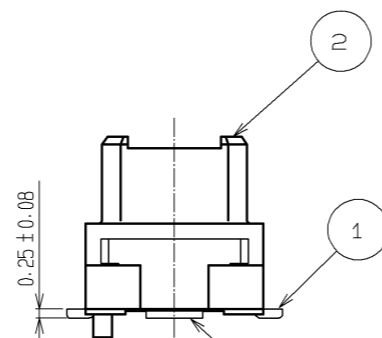
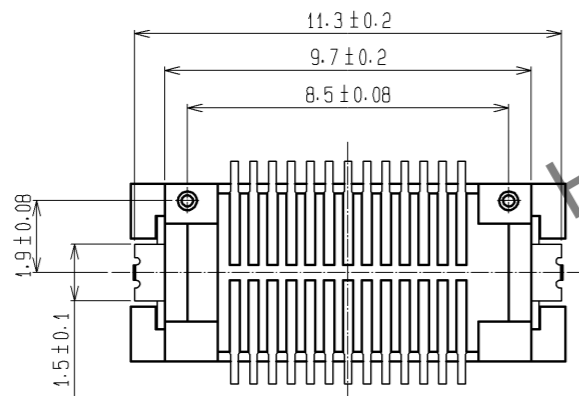
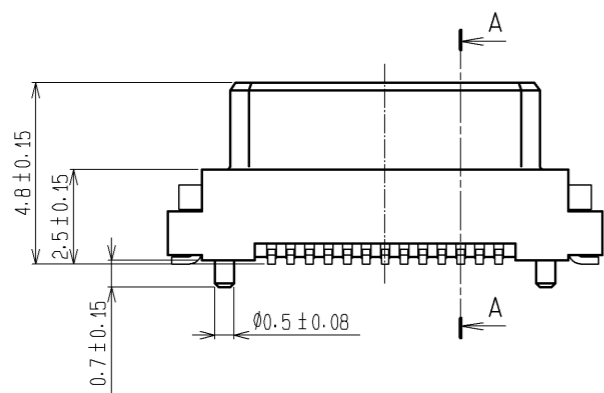
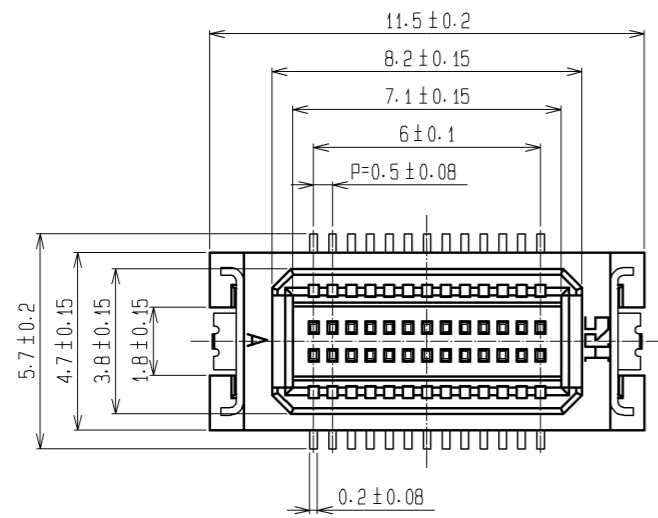
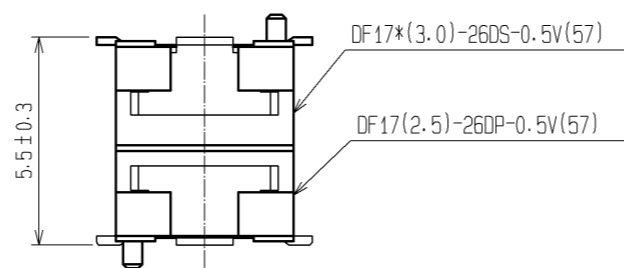


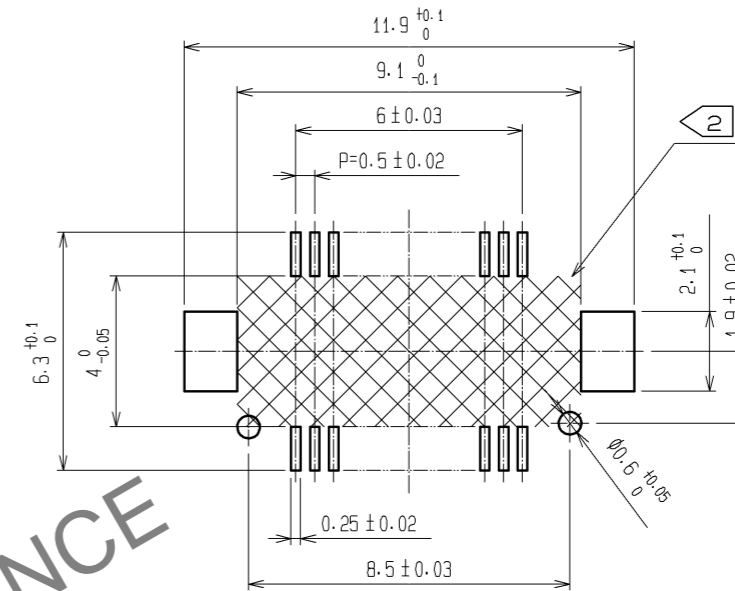
Jul.1.2024 Copyright 2024 HIROSE ELECTRIC CO., LTD. All Rights Reserved.
 In case of consideration for using Automotive equipment / device which demand high reliability, kindly contact our sales window correspondents.



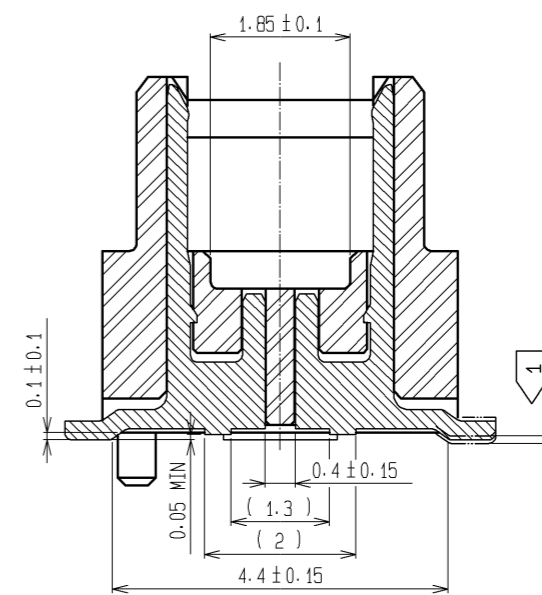
MATED



RECOMMENDED PATTERN



A-A(10:1)



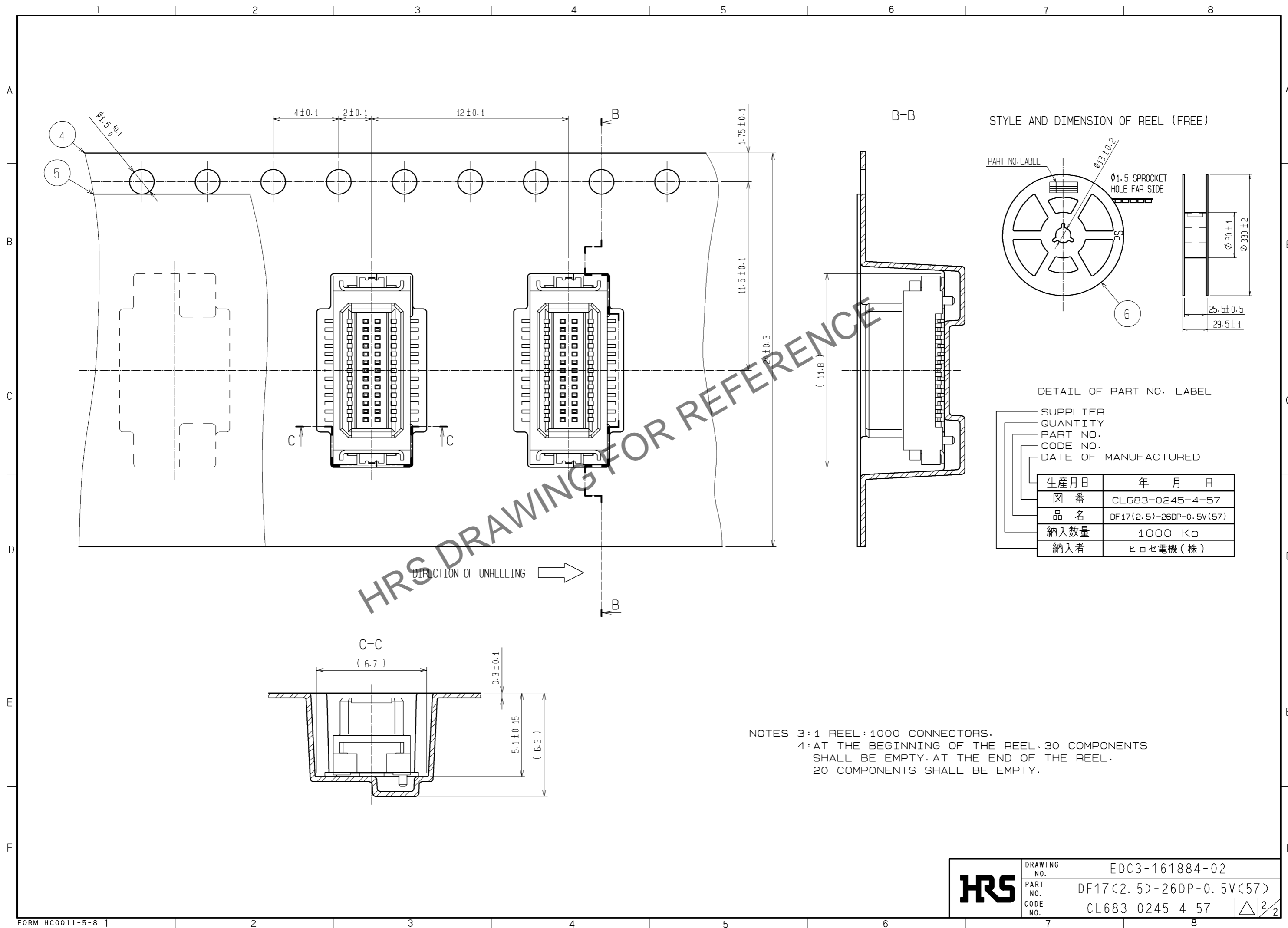
- NOTES
- ① LEAD CO-PLANARITY INCLUDE REINFORCED METAL FITTINGS SHALL BE 0.1mm MAX.
 - ② WHEN A PART MARKED WITH HAS A PATTERN BUT NO RESIST ON IT. TAKE CARE TO PREVENT THE CONNECTOR FROM TOUCHING IT.

NO.	MATERIAL	FINISH	REMARKS	NO.	MATERIAL	FINISH	REMARKS
2	POLYAMIDE (PA6T)	WHITE BEIGE	UL94V-0	6	PS		PLASTIC REEL, BLACK
1	PHOSPHOR BRONZE	CONTACT AREA: GOLD PLATED 0.1μm min LEAD AREA: TIN PLATED 1 μm min UNDER PLATING: NICKEL PLATED 1 μm min		5	POLYESTER		CLEAR (COVER TAPE)
				4	A-PET		CLEAR (EMBOSSED CARRIER TAPE)
				3	PHOSPHOR BRONZE		TIN PLATED 1μm min. UNDER PLATING: NICKEL PLATED 1μm min

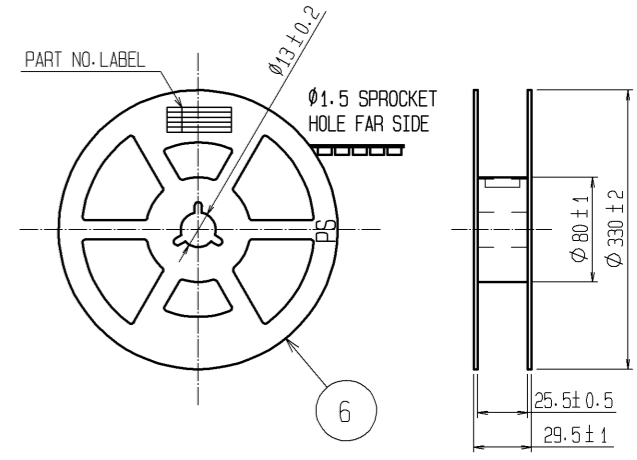
UNITS	SCALE	COUNT	DESCRIPTION OF REVISIONS	DESIGNED	CHECKED	DATE
mm	5 : 1	△	APPROVED : KH. IKEDA 08.11.27 CHECED : TS. MIYAZAKI 08.11.27 DESIGNED : TY. YAMASAKI 08.11.26 DRAWN : TY. YAMASAKI 08.11.26			

DRAWING NO.	PART NO.	CODE NO.
EDC3-161884-02	DF17(2.5)-26DP-0.5V(57)	CL683-0245-4-57

Jul.1.2024 Copyright 2024 HIROSE ELECTRIC CO., LTD. All Rights Reserved.
 In case of consideration for using Automotive equipment / device which demand high reliability, kindly contact our sales window correspondents.



STYLE AND DIMENSION OF REEL (FREE)



DETAIL OF PART NO. LABEL

SUPPLIER
 QUANTITY
 PART NO.
 CODE NO.
 DATE OF MANUFACTURED

生産月日	年 月 日
☑ 番	CL683-0245-4-57
品名	DF17(2.5)-26DP-0.5V(57)
納入数量	1000 K
納入者	ヒロセ電機(株)

NOTES 3:1 REEL : 1000 CONNECTORS.
 4: AT THE BEGINNING OF THE REEL, 30 COMPONENTS SHALL BE EMPTY. AT THE END OF THE REEL, 20 COMPONENTS SHALL BE EMPTY.

HRS	DRAWING NO.	EDC3-161884-02
	PART NO.	DF17(2.5)-26DP-0.5V(57)
	CODE NO.	CL683-0245-4-57
		△ 2/2