

# BSCR

## Fuse holder



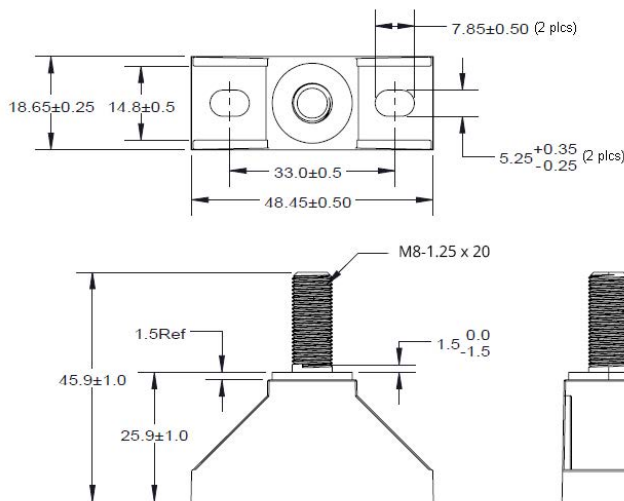
### Product features

- 1000 Vac/dc, 500 A rating
- Flammability: UL94 V-0
- Operating temperature: -40 °C to +125 °C

### Environmental compliance



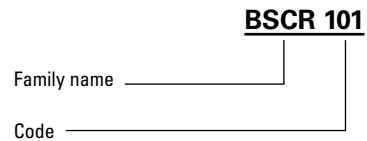
### Dimensions- mm



Recommended torque: 12 ±1 N-m

### Ordering part number

Example: BSCR101



### Packaging

- 18 pcs per inner box
- 108 pcs per outer carton

Life Support Policy: Eaton does not authorize the use of any of its products for use in life support devices or systems without the express written approval of an officer of the Company. Life support systems are devices which support or sustain life, and whose failure to perform, when properly used in accordance with instructions for use provided in the labeling, can be reasonably expected to result in significant injury to the user.

Eaton reserves the right, without notice, to change design or construction of any products and to discontinue or limit distribution of any products. Eaton also reserves the right to change or update, without notice, any technical information contained in this bulletin.

**Eaton**  
**Electronics Division**  
1000 Eaton Boulevard  
Cleveland, OH 44122  
United States  
Eaton.com/electronics

© 2023 Eaton  
All Rights Reserved  
Printed in USA  
Publication No. ELX1229  
May 2023

Eaton is a registered trademark.

All other trademarks are property of their respective owners.

Follow us on social media to get the latest product and support information.

