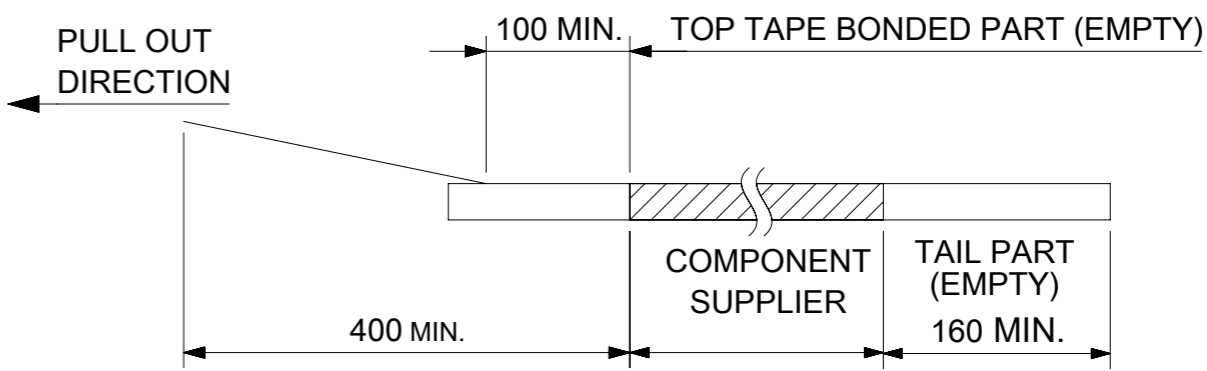
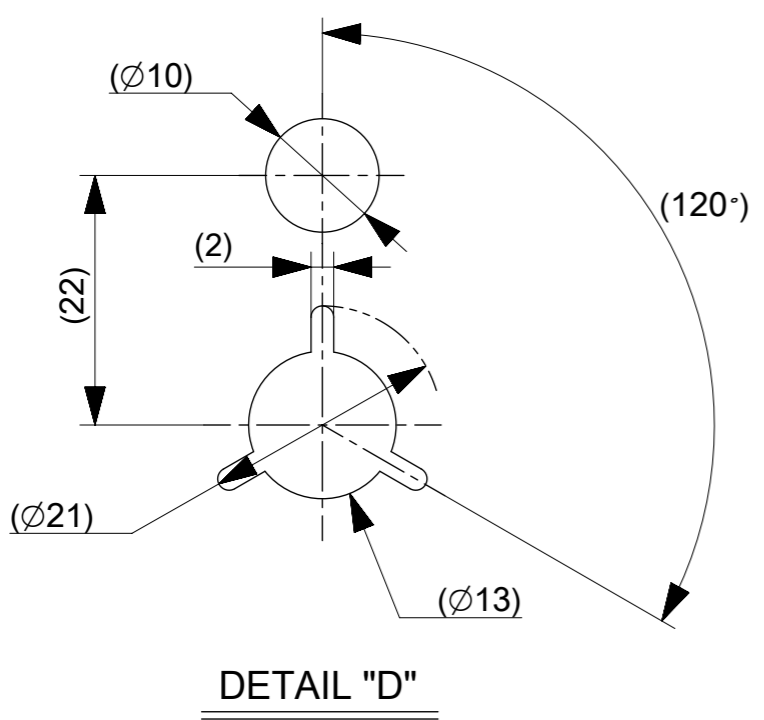


- NOTES
1. FOR DIMENSION OF PRODUCT, REFER TO PRODUCT DRAWING.
  2. NUMBER OF CONNECTORS : 7000PCS/REEL
  3. LEAD TAPE LENGTH

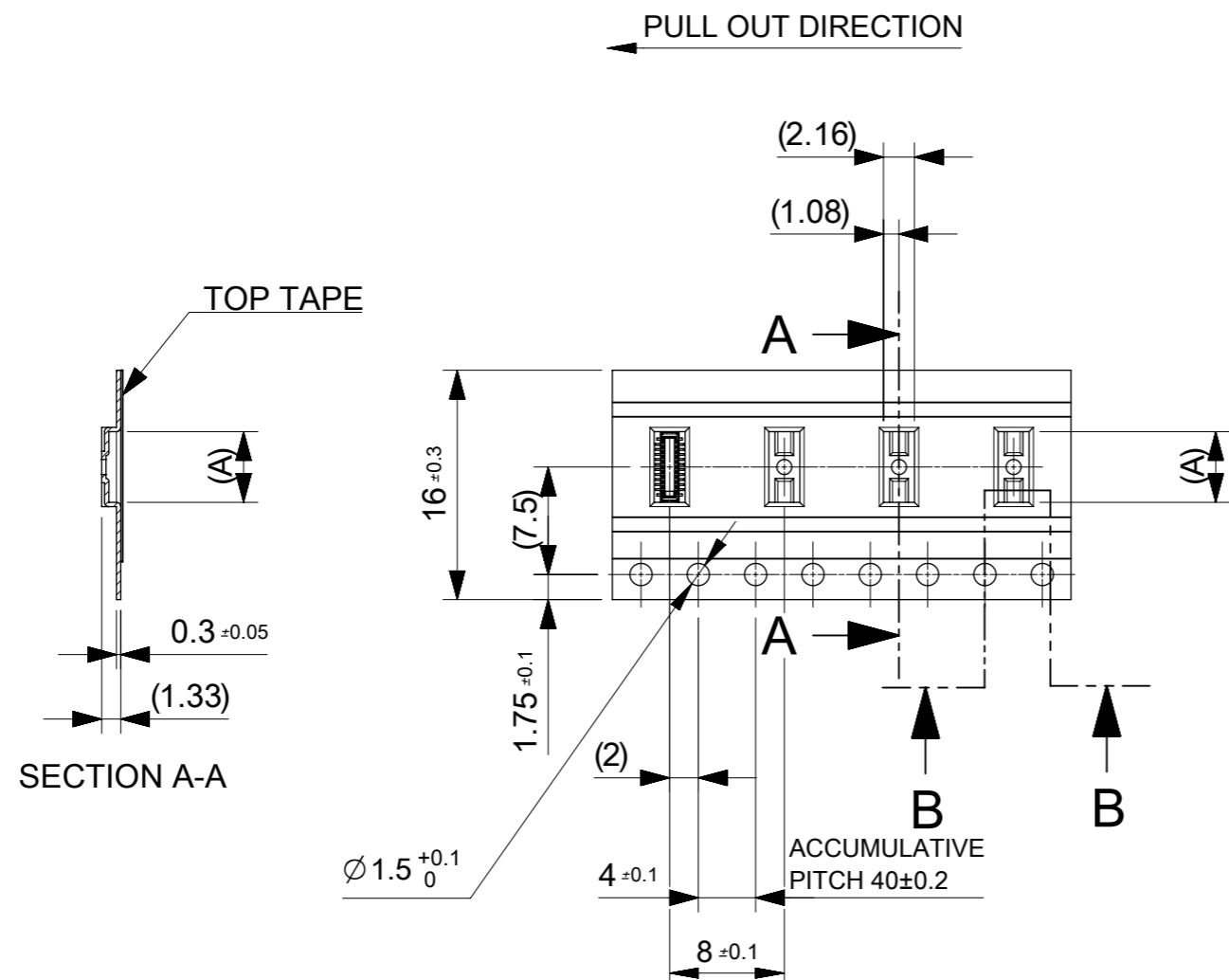


4. TOP TAPE PEEL FORCE IS DEFINED BY IEC60286-3.
5. MATERIAL  
 CARRIER TAPE : POLYSTYRENE  
 TOP TAPE : PET , OTHER  
 REEL : POLYSTYRENE (PS) < RECYCLE MATERIAL CONTAINED >



CONNECTOR SERIES NO. 505274\*\*09

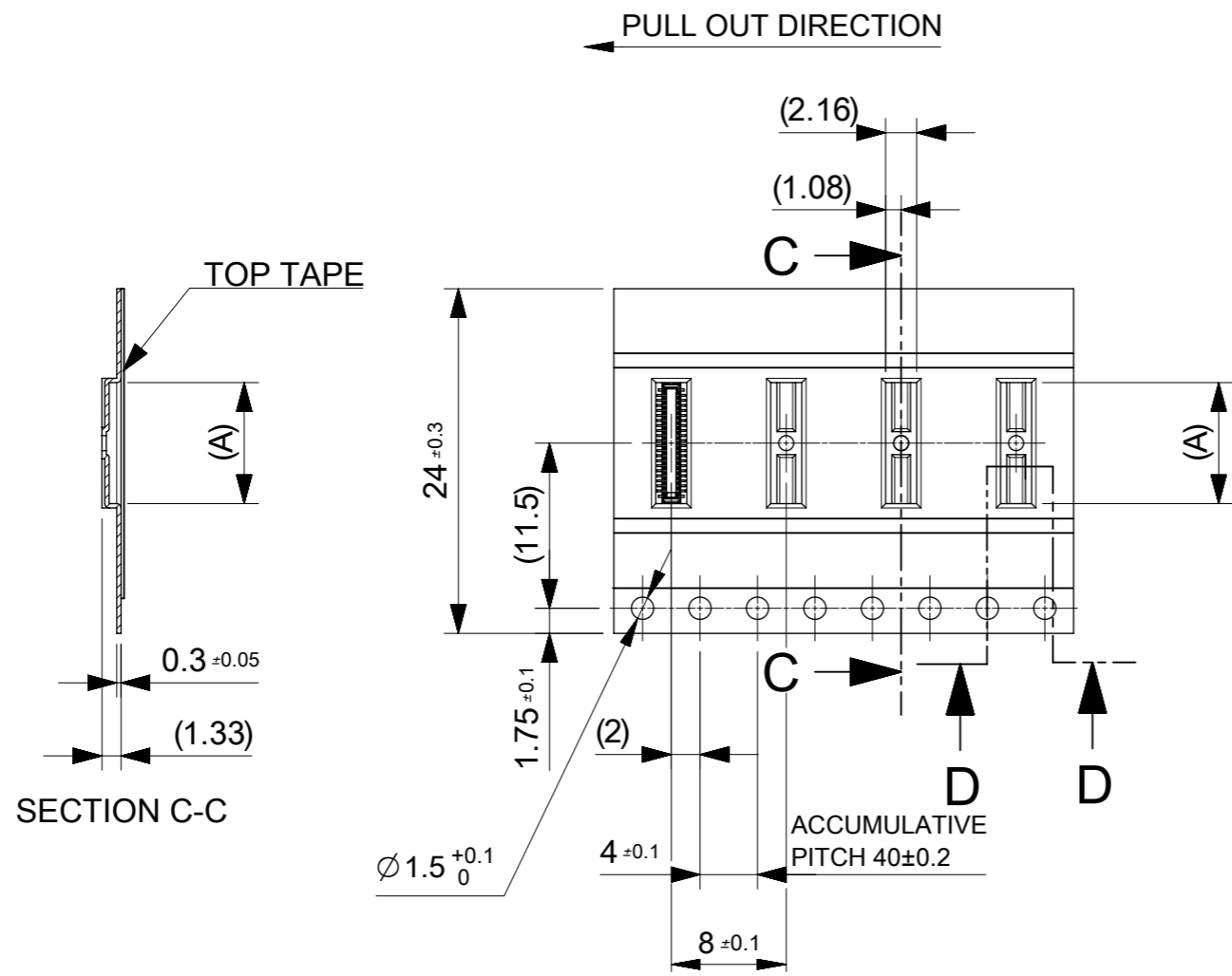
THIS DRAWING CONTAINS INFORMATION THAT IS PROPRIETARY TO MOLEX ELECTRONIC TECHNOLOGIES, LLC AND SHOULD NOT BE USED WITHOUT WRITTEN PERMISSION										
RELEASED	EC NO. 123537	2017/10/20	GENERAL TOLERANCES (UNLESS SPECIFIED)		DIMENSION UNITS	SCALE	<b>molex</b> <sup>®</sup>			
	DRWN: FSATO	2017/11/01	ANGULAR TOL ± 3.0 °		mm	NTS				
	CHK'D: MSASAO	2017/11/02	4 PLACES	± 0.03	DRWN BY	DATE	0.35 BB H=0.8 SSB8RP PLUG EMBSTP PKG			
	APPR: MSASAO		3 PLACES	± 0.03	FSATO	2017/10/20				
			2 PLACES	± 0.05	CHK'D BY	DATE	PRODUCT CUSTOMER DRAWING			
			1 PLACE	± 0.1	MSASAO	2017/11/01				
		0 PLACES	± 0.2	APPR BY	DATE	SERIES	MATERIAL NUMBER	CUSTOMER		
				MSASAO	2017/11/02	505274	SEE CHART	GENERAL		
				DRAFT WHERE APPLICABLE MUST REMAIN WITHIN DIMENSIONS	DRAWING SIZE	THIRD ANGLE PROJECTION	DOCUMENT NUMBER	DOC TYPE	DOC PART	SHEET NUMBER
					A3		5052740001-SD	PSD	000	1 OF 3



16	21.4	17.4	6.68	5052743012	○	---	30
			5.63	5052742412	○	---	24
			4.93	5052742012	○	---	20
			4.23	5052741612	○	---	16
			3.18	5052741012	○	---	10
			2.48	5052740612	○	---	6
キャリアテープ幅 CARRIER TAPE WIDTH	C	B	(A)	EMBOSSED TAPE PACKAGE	HIGH VOL. TOOL	LOW VOL. TOOL	CIRCUIT
ORDER NO.	SAMPLE PREPARATION ○:TOOLED △:WOOK IN PROCESS ---:TOOLING TO BE CONFIRMED						

THIS DRAWING CONTAINS INFORMATION THAT IS PROPRIETARY TO MOLEX ELECTRONIC TECHNOLOGIES, LLC AND SHOULD NOT BE USED WITHOUT WRITTEN PERMISSION

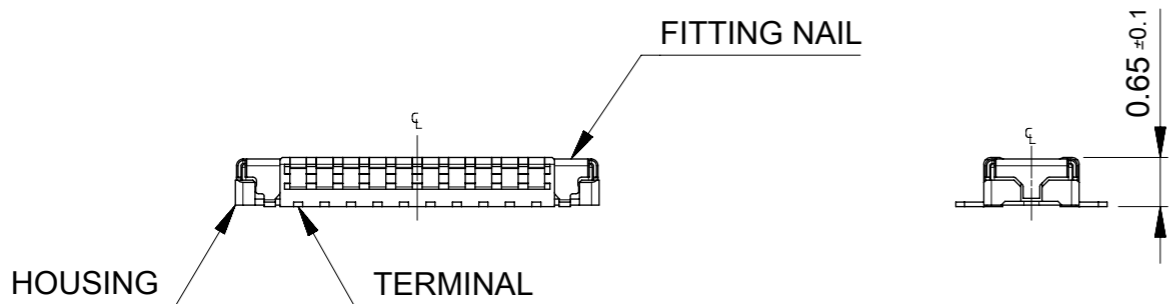
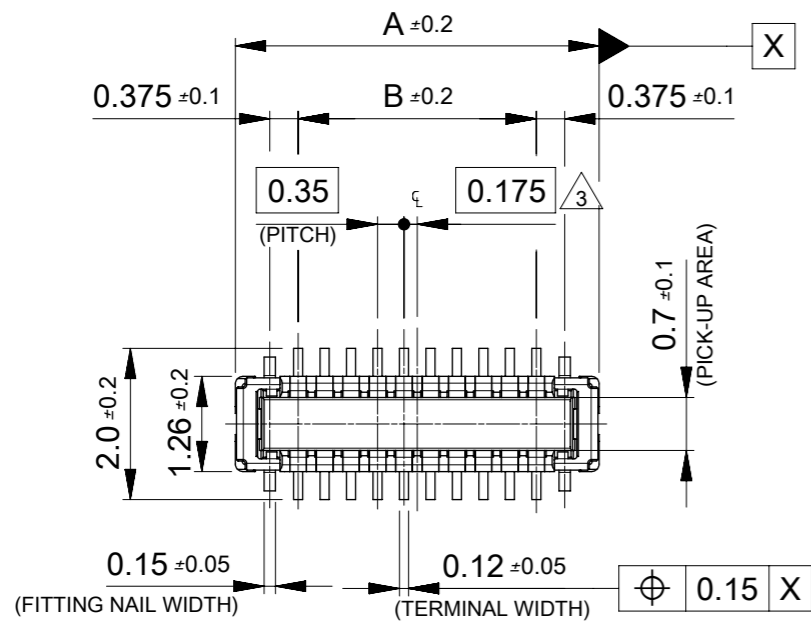
EC NO: 123537 DRWN: FSATO CHK'D: MSASAO APPR: MSASAO RELEASED 2017/10/20 2017/11/01	GENERAL TOLERANCES (UNLESS SPECIFIED)		DIMENSION UNITS	SCALE					
	ANGULAR TOL ± 3.0 °		mm	NTS					
	4 PLACES ± 0.03	DATE		DRWN BY	DATE	0.35 BB H=0.8 SSB8RP PLUG EMBSTP PKG			
	3 PLACES ± 0.03	DATE		FSATO	2017/10/20				
	2 PLACES ± 0.05	DATE		CHK'D BY	DATE	PRODUCT CUSTOMER DRAWING			
	1 PLACE ± 0.1	DATE		MSASAO	2017/11/01				
0 PLACES ± 0.2	DATE		APPR BY	DATE	SERIES: 505274    MATERIAL NUMBER: SEE CHART    CUSTOMER: GENERAL				
DRAFT WHERE APPLICABLE MUST REMAIN WITHIN DIMENSIONS		DATE		MSASAO					2017/11/02
A3		THIRD ANGLE PROJECTION		DOCUMENT NUMBER: 5052740001-SD    DOC TYPE: PSD    DOC PART: 000    SHEET NUMBER: 2 OF 3					
A		REV							



24	29.4	25.4	10.88	5052745412	○	---	54
			8.43	5052744012	○	---	40
			7.38	5052743412	○	---	34
キャリアテープ幅 CARRIER TAPE WIDTH	C	B	(A)	EMBOSSED TAPE PACKAGE	HIGH VOL. TOOL	LOW VOL. TOOL	CIRCUIT
ORDER NO.	SAMPLE PREPARATION ○:TOOLED △:WOOK IN PROCESS ---:TOOLING TO BE CONFIRMED						

THIS DRAWING CONTAINS INFORMATION THAT IS PROPRIETARY TO MOLEX ELECTRONIC TECHNOLOGIES, LLC AND SHOULD NOT BE USED WITHOUT WRITTEN PERMISSION

EC NO: 123537 DRWN: FSATO CHK'D: MSASAO APPR: MSASAO REV: A	RELEASED 2017/10/20 2017/11/01 2017/11/02	GENERAL TOLERANCES (UNLESS SPECIFIED) ANGULAR TOL ± 3.0 ° 4 PLACES ± 0.03 3 PLACES ± 0.03 2 PLACES ± 0.05 1 PLACE ± 0.1 0 PLACES ± 0.2	DIMENSION UNITS mm	SCALE NTS			
	DRWN BY FSATO	DATE 2017/10/20	DRIFT WHERE APPLICABLE MUST REMAIN WITHIN DIMENSIONS	DRAWING SIZE A3		THIRD ANGLE PROJECTION 	0.35 BB H=0.8 SSB8RP PLUG EMBSTP PKG
	APPR BY MSASAO	DATE 2017/11/02	PRODUCT CUSTOMER DRAWING	SERIES 505274		MATERIAL NUMBER SEE CHART	CUSTOMER GENERAL
	DOCUMENT NUMBER 5052740001-SD	DOC TYPE PSD	DOC PART 000	SHEET NUMBER 3 OF 3			



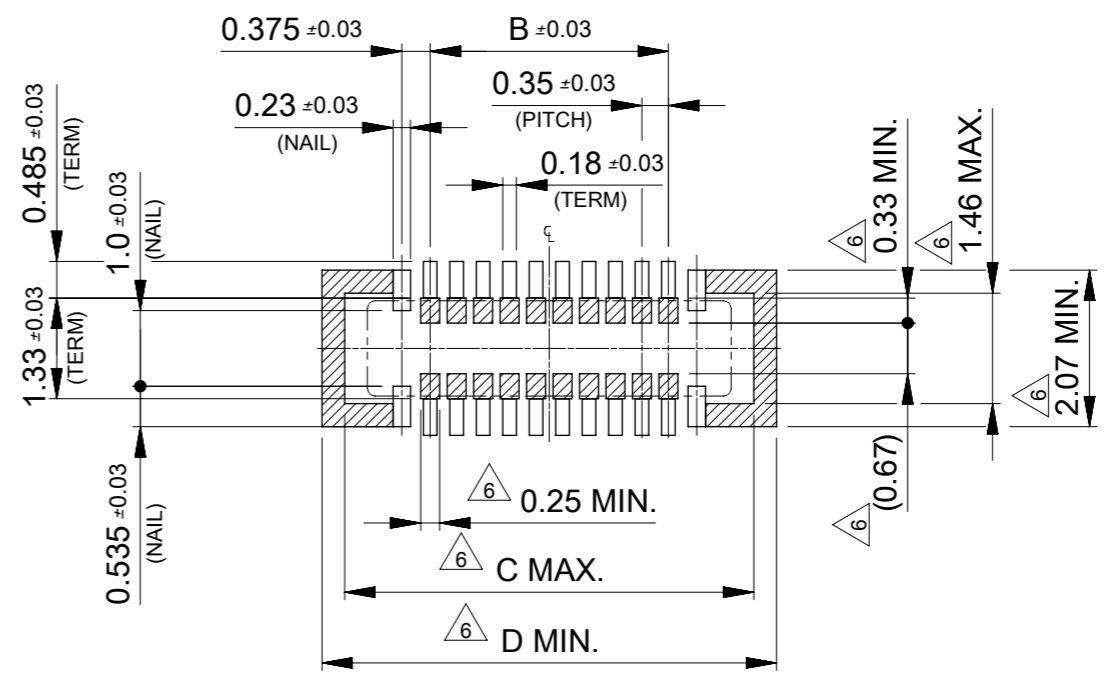
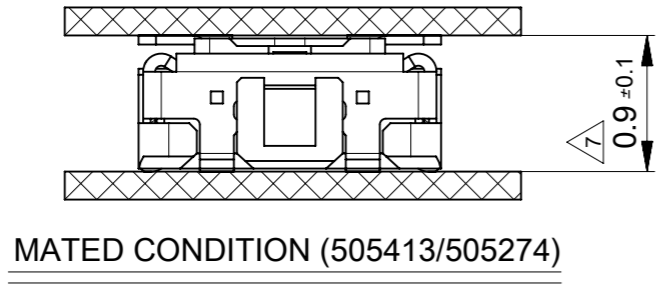
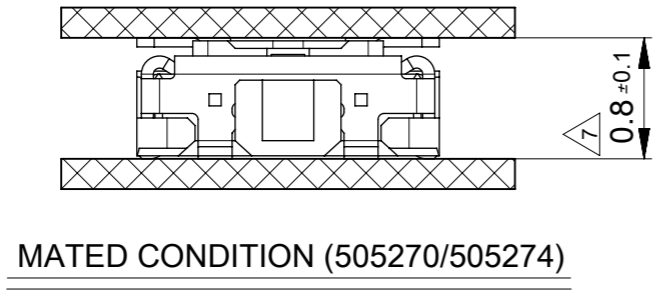
**NOTES**

1. MATERIAL  
HOUSING : LIQUID CRYSTAL POLYMER UL94V-0 (COLOR : BLACK)  
TERMINAL : COPPER ALLOY  
FITTING NAIL : COPPER ALLOY
2. PLATING  
TERMINAL :  
GOLD  
UNDER PLATING NICKEL  
\*DIVIDE INTO PARTS THE GOLD PLATING OF CONTACT  
FITTING NAIL :  
GOLD(ONLY CONTACT AND TAIL PART)  
UNDER PLATING NICKEL  
\*GOLD PLATING WILL BE DIVIDED THE CONTACT FROM THE TAIL PART BY THE NICKEL PLATING. THERE MAY BE SLIGHT DIFFERENCES IN THE OTHER PART COLORING. BUT THERE WILL BE NO INFLUENCE ON THE PRODUCT'S PERFORMANCE.
3. APPLY FOR (CIRCUIT/2)=EVEN
4. MATE WITH : 505270\*\*12 (H=0.8) , 505413\*\*10 (H=0.9)
5. TAIL AND FITTING NAIL COPLANARITY TO BE 0.08MAXIMUM.
6. PROHIBITED AREA OF PATTERN WIRING AND SOLDER.  
(FOR EACH AREA, THE WIRING THAT TOUCHES ON THE SOLDER CAN BE ATTACHED, THEN COVERED WITH A FILM TO KEEP SOLDER OUT.)
7. THIS DIMENSION SHOWS THE DIMENSION BETWEEN SOLDERING SURFACE OF SOLDER TAILS.

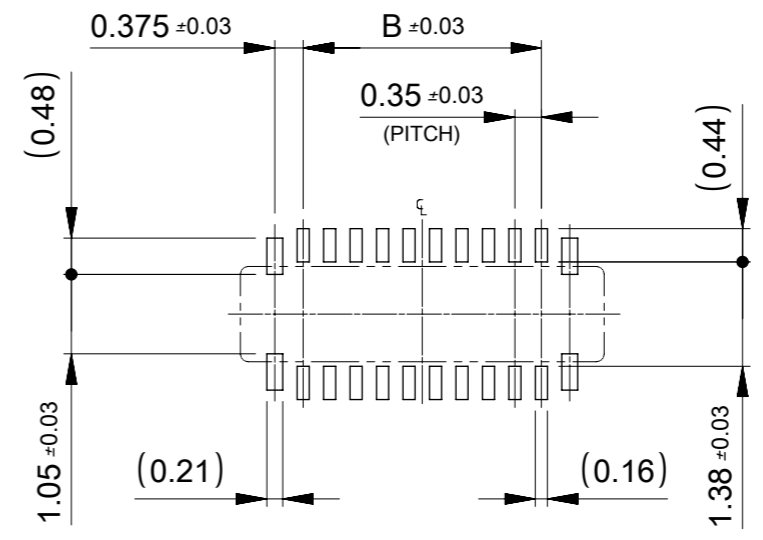
11.96	11.36	9.1	10.76	5052745412	○	---	54
9.51	8.91	6.65	8.31	5052744012	○	---	40
8.46	7.86	5.6	7.26	5052743412	○	---	34
7.76	7.16	4.9	6.56	5052743012	○	---	30
6.71	6.11	3.85	5.51	5052742412	○	---	24
6.01	5.41	3.15	4.81	5052742012	○	---	20
5.31	4.71	2.45	4.11	5052741612	○	---	16
4.26	3.66	1.4	3.06	5052741012	○	---	10
3.56	2.96	0.7	2.36	5052740612	○	---	6
D	C	B	A	EMBOSSED TAPE PACKAGE	MASS PRODUCTION	LOW VOL. TOOL	CIRCUIT
				ORDER No.	SMAPLE PREPARATION ○: TOOLED △: WORK IN PROCESS ---: TOOLING TO BE CONFIRMED		
				CONNECTOR No. : 505274**09			

THIS DRAWING CONTAINS INFORMATION THAT IS PROPRIETARY TO MOLEX ELECTRONIC TECHNOLOGIES, LLC AND SHOULD NOT BE USED WITHOUT WRITTEN PERMISSION

DIMENSION UNITS	SCALE	CURRENT REV DESC: RELEASED		<b>molex</b>		
mm	10:1					
GENERAL TOLERANCES (UNLESS SPECIFIED)				0.35 BB CONN. H=0.8 SSB8RP PLUG ASSY		
ANGULAR TOL	± 3.0 °	EC NO: 646122		PRODUCT CUSTOMER DRAWING		
4 PLACES	± 0.03	DRWN: YSEKI01	2019/09/12	DOCUMENT NUMBER		
3 PLACES	± 0.03	CHK'D: STERUKI	2020/09/28	5052741001-SD		
2 PLACES	± 0.05	APPR: YNAITO	2020/09/28	DOC TYPE	DOC PART	REVISION
1 PLACE	± 0.1	INITIAL REVISION:		PSD	000	B
0 PLACES	± 0.2	DRWN: FSATO	2017/10/20	SHEET NUMBER		
DRAFT WHERE APPLICABLE MUST REMAIN WITHIN DIMENSIONS		THIRD ANGLE PROJECTION	DRAWING	SERIES	MATERIAL NUMBER	CUSTOMER
			A3-SIZE	505274	SEE CHART	GENERAL



RECOMMENDED P.W.BOARD PATTERN LAYOUT (REFERENCE)



RECOMMENDED METAL MASK LAYOUT (REFERENCE)

RECOMMENDED THICKNESS OF METAL MASK : t=0.08mm  
 RECOMMENDED OPEN APERTURE RATIO OF METAL MASK : 80%

THIS DRAWING CONTAINS INFORMATION THAT IS PROPRIETARY TO MOLEX ELECTRONIC TECHNOLOGIES, LLC AND SHOULD NOT BE USED WITHOUT WRITTEN PERMISSION											
DIMENSION UNITS		SCALE		CURRENT REV DESC: RELEASED							
mm		10:1									
GENERAL TOLERANCES (UNLESS SPECIFIED)											
ANGULAR TOL ± 3.0 °				<b>0.35 BB CONN. H=0.8 SSB8RP PLUG ASSY</b>							
4 PLACES ± 0.03											
3 PLACES ± 0.03				EC NO: 646122							
2 PLACES ± 0.05				DRWN: YSEKI01 2019/09/12							
1 PLACE ± 0.1				CHK'D: STERUKI 2020/09/28							
0 PLACES ± 0.2				APPR: YNAITO 2020/09/28							
DRAFT WHERE APPLICABLE MUST REMAIN WITHIN DIMENSIONS				THIRD ANGLE PROJECTION		DRAWING		SERIES		DOCUMENT NUMBER	
						A3-SIZE		505274		5052741001-SD	
				MATERIAL NUMBER		CUSTOMER		DOC TYPE		DOC PART	
				SEE SHEET 1		GENERAL		PSD		000	
										REVISION	
										B	
										SHEET NUMBER	
										2 OF 2	