

85-015A-8R ✓ ACTIVE

MEAS | MEAS 85 Series

TE Internal #: 85-015A-8R

TE Internal Description: 15 PSIA 1/8 - 27 NPT PRESSURE SENSOR

13MM MV OUTPUT PRESSURE SENSOR

[View on TE.com >](#)



Sensors > Pressure Sensors > Media Isolated Pressure Sensors > 13MM MV OUTPUT PRESSURE SENSOR



Pressure: [15 psi]

Pressure Sensor Type: mV Output Pressure Sensors

Pressure Type: Absolute

Output Signal Type: 100mV

Operating Temperature Range: -40 – 125 °C [-40 – 257 °F]

[All 13MM MV OUTPUT PRESSURE SENSOR \(18\)](#)

Features

Product Type Features

| | |
|----------------------|-------------------------------------|
| Pressure Sensor Type | mV Output Pressure Sensors |
| Pressure Type | Absolute |
| Sensor Package | Threaded Process Fittings, Weldable |

Configuration Features

| | |
|-----------------------|--------------|
| Electrical Connection | Ribbon Cable |
|-----------------------|--------------|

Electrical Characteristics

| | |
|----------------|--------|
| Supply Current | 1.5 mA |
|----------------|--------|

Dimensions

| | |
|------------------|-------------------|
| Product Diameter | 15.85 mm[.624 in] |
| Product Height | 9.3 mm[.366 in] |

Usage Conditions

| | |
|-----------------------------|----------------------------|
| Operating Temperature Range | -40 – 125 °C[-40 – 257 °F] |
|-----------------------------|----------------------------|

Operation/Application

| | |
|----------------------|--------|
| Proof Pressure Range | 3X |
| | 15 psi |
| Output Signal Type | 100mV |



Other

| | |
|-----------------|------------|
| Non-Linearity ± | .1 % |
| Port Fitting | 1/8-27 NPT |

Product Compliance

[For compliance documentation, visit the product page on TE.com>](#)

| | |
|---|--|
| EU RoHS Directive 2011/65/EU | Compliant |
| EU ELV Directive 2000/53/EC | Compliant |
| China RoHS 2 Directive MIIT Order No 32, 2016 | No Restricted Materials Above Threshold |
| EU REACH Regulation (EC) No. 1907/2006 | Current ECHA Candidate List: JUNE 2024 (241) Candidate List Declared Against: JAN 2024 (240) SVHC > Threshold: Methanone, (diphenylphosphinyl)(2,4,6-trimethylphenyl)- (1% in Component part) Article Safe Usage Statements: Wash thoroughly after handling. Do not handle until all safety precautions have been read and understood. Recycle if possible and dispose of the article by following all applicable governmental regulations relevant to your geographic location. |
| Halogen Content | Low Halogen - Br, Cl, F, I < 900 ppm per homogenous material. Also BFR/CFR/PVC Free |
| Solder Process Capability | Not reviewed for solder process capability |

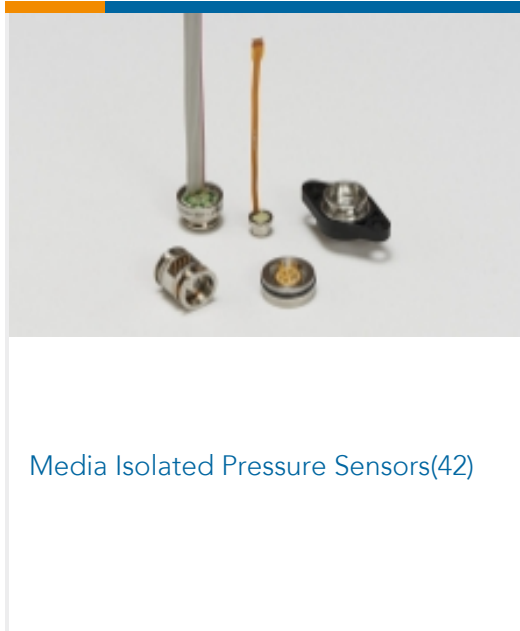
Product Compliance Disclaimer

This information is provided based on reasonable inquiry of our suppliers and represents our current actual knowledge based on the information they provided. This information is subject to change. The part numbers that TE has identified as EU RoHS compliant have a maximum concentration of 0.1% by weight in homogenous materials for lead, hexavalent chromium, mercury, PBB, PBDE, DBP, BBP, DEHP, DIBP, and 0.01% for cadmium, or qualify for an exemption to these limits as defined in the Annexes of Directive 2011/65/EU (RoHS2). Finished electrical and electronic equipment products will be CE marked as required by Directive 2011/65/EU. Components may not be CE marked. Additionally, the part numbers that TE has identified as EU ELV compliant have a maximum concentration of 0.1% by weight in homogenous materials for lead, hexavalent chromium, and mercury, and 0.01% for cadmium, or qualify for an exemption to these limits as defined in the Annexes of Directive 2000/53/EC (ELV). Regarding the REACH Regulation, the information TE provides on SVHC in articles for this part number is based on the latest European Chemicals Agency (ECHA) 'Guidance on requirements for substances in articles' posted at this URL: <https://echa.europa.eu/guidance-documents/guidance-on-reach>

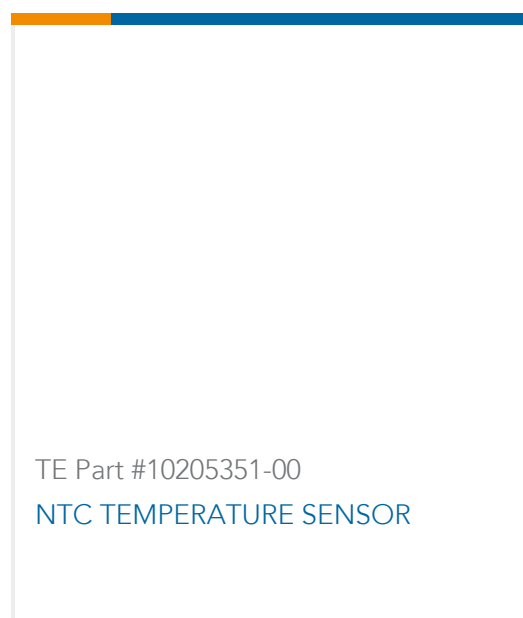
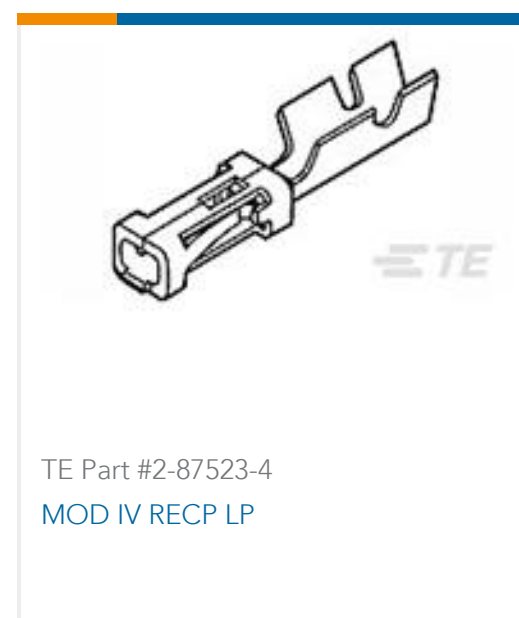
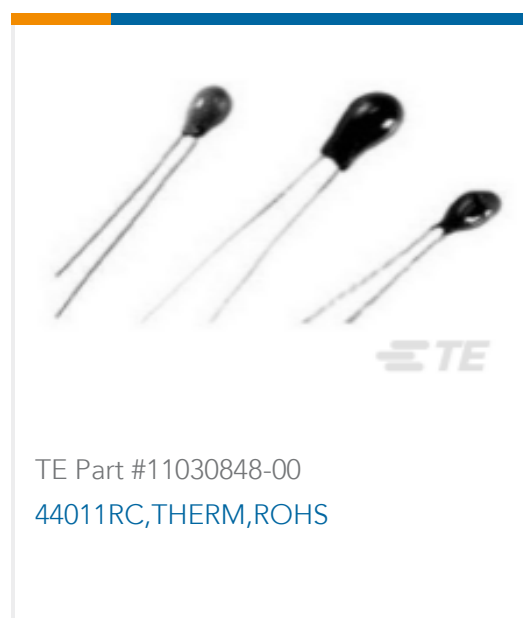
Compatible Parts



Also in the Series | MEAS 85 Series



Customers Also Bought





Documents

CAD Files

3D PDF

3D

Customer View Model

[ENG_CVM_CVM_85-015A-8R_G1.2d_dxf.zip](#)

English

Customer View Model

[ENG_CVM_CVM_85-015A-8R_G1.3d_igs.zip](#)

English

Customer View Model

[ENG_CVM_CVM_85-015A-8R_G1.3d_stp.zip](#)

English

By downloading the CAD file I accept and agree to the [Terms and Conditions](#) of use.

Datasheets & Catalog Pages

85C

English