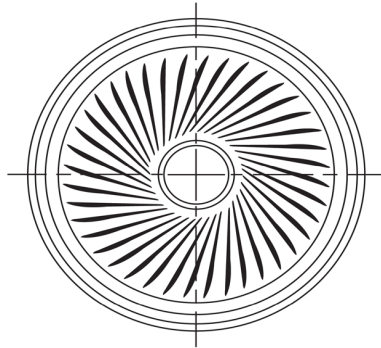
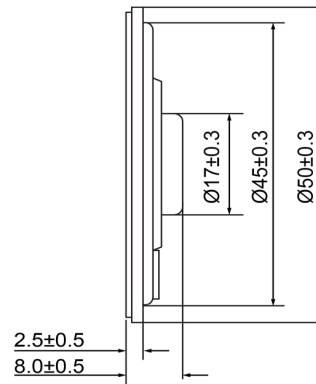


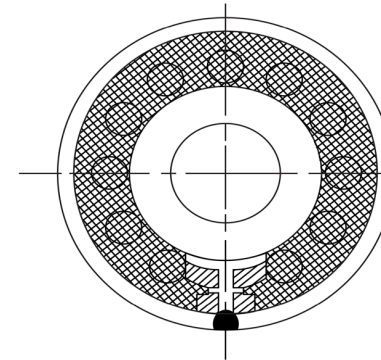
TOP VIEW





SIDE VIEW



BOTTOM VIEW



Specifications			Notes	Revision History						
Description	Value	Unit		Version	Description		Date	Approved		
Shape	Round		1) All dimensions are in mm unless otherwise noted 2) All parts meet RoHS	1	Released from Engineering		10/21/2013	J.S		
Resonant Frequency	260	(Hz)								
Frequency Range	260 ~ 4,600	(Hz)								
SPL @ 10cm	90	(dBA)								
Impedance	8	(Ohm)								
Cone Material	Mylar									
Nominal Power	0.5	(W)								
Max Power	0.8	(W)								
Mount Type	Flush									
Operating Temperature	-40 ~ +66	°C								
Storage Temperature	-40 ~ +66	°C								
Weight	12.25	(g)								
 <b>DB UNLIMITED</b>			 <b>Dynamic Speaker</b>			<b>SM500208-1</b>				

Additional considerations can be found at [www.dbunlimitedco.com/technical-articles](http://www.dbunlimitedco.com/technical-articles).