

TMC 83D 40A - Miniature Circuit Breaker



1010289

<https://www.phoenixcontact.com/us/products/1010289>

Please be informed that the data shown in this PDF document is generated from our online catalog. Please find the complete data in the user documentation. Our general terms of use for downloads are valid.

Miniature Circuit Breaker, number of positions: 3, cross section: 1 mm²- 35 mm², AWG: 18 - 2, mounting type: DIN rail: 35 mm



Commercial data

Item number	1010289
Packing unit	1 pc
Minimum order quantity	1 pc
Note	Made to order (non-returnable)
Sales key	CL08
Product key	CLA125
GTIN	4055626482583
Weight per piece (including packing)	222.222 g
Weight per piece (excluding packing)	222.222 g
Customs tariff number	85362010
Country of origin	CN

TMC 83D 40A - Miniature Circuit Breaker



1010289

<https://www.phoenixcontact.com/us/products/1010289>

Technical data

Product properties

Product type	Thermomagnetic device circuit breakers
Product family	TMC 8
Type	DIN rail module, one-piece
Number of positions	3
Mechanical service life	20000

Data management status

Article revision	04
------------------	----

Electrical properties

Service life electrical	6000
-------------------------	------

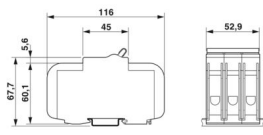
General

Operating voltage	240 V AC (Delta)
Rated current I_N	40 A
Tripping method	TM (thermomagnetic)
Rated short-circuit switching capacity I_{cn}	10 kA (IC)
Fuse	D

Connection data

Conductor cross section rigid	1 mm ² ... 35 mm ²
Cross section AWG	18 ... 2 (converted acc. to IEC)
Conductor cross section flexible	1 mm ² ... 35 mm ²
Connection method	Screw connection
Tightening torque, min	2 Nm
Stripping length	11 mm ... 12 mm
Conductor cross section flexible max.	35 mm ²
Conductor cross section, rigid max.	35 mm ²

Dimensions

Dimensional drawing	
Width	52.9 mm
Height	116 mm
Depth	76.6 mm (incl. DIN rail 7.5 mm)

Material specifications

Color	light gray (RAL 7035)
-------	-----------------------

TMC 83D 40A - Miniature Circuit Breaker



1010289

<https://www.phoenixcontact.com/us/products/1010289>

Environmental and real-life conditions

Ambient conditions

Ambient temperature (operation)	-35 °C ... 70 °C
Humidity test	48 h, 95% RH, 40°C (IEC 60068-2-78)
Shock (operation)	30g (11 ms) (IEC 60068-2-11)
Vibration (operation)	±0.38 mm (10-57 Hz), 5g (57...500 Hz) (IEC 60068-2-6, Fc, sine)

Standards and regulations

Standards/specifications	UL 489
Standards/specifications	IEC 60947-2

Mounting

Mounting type	DIN rail: 35 mm
---------------	-----------------

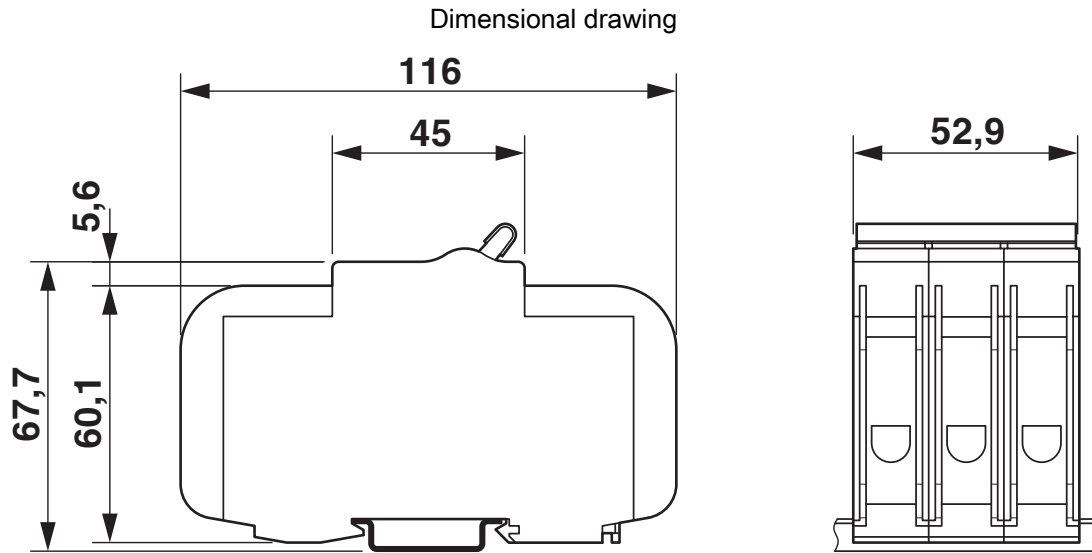
TMC 83D 40A - Miniature Circuit Breaker

1010289

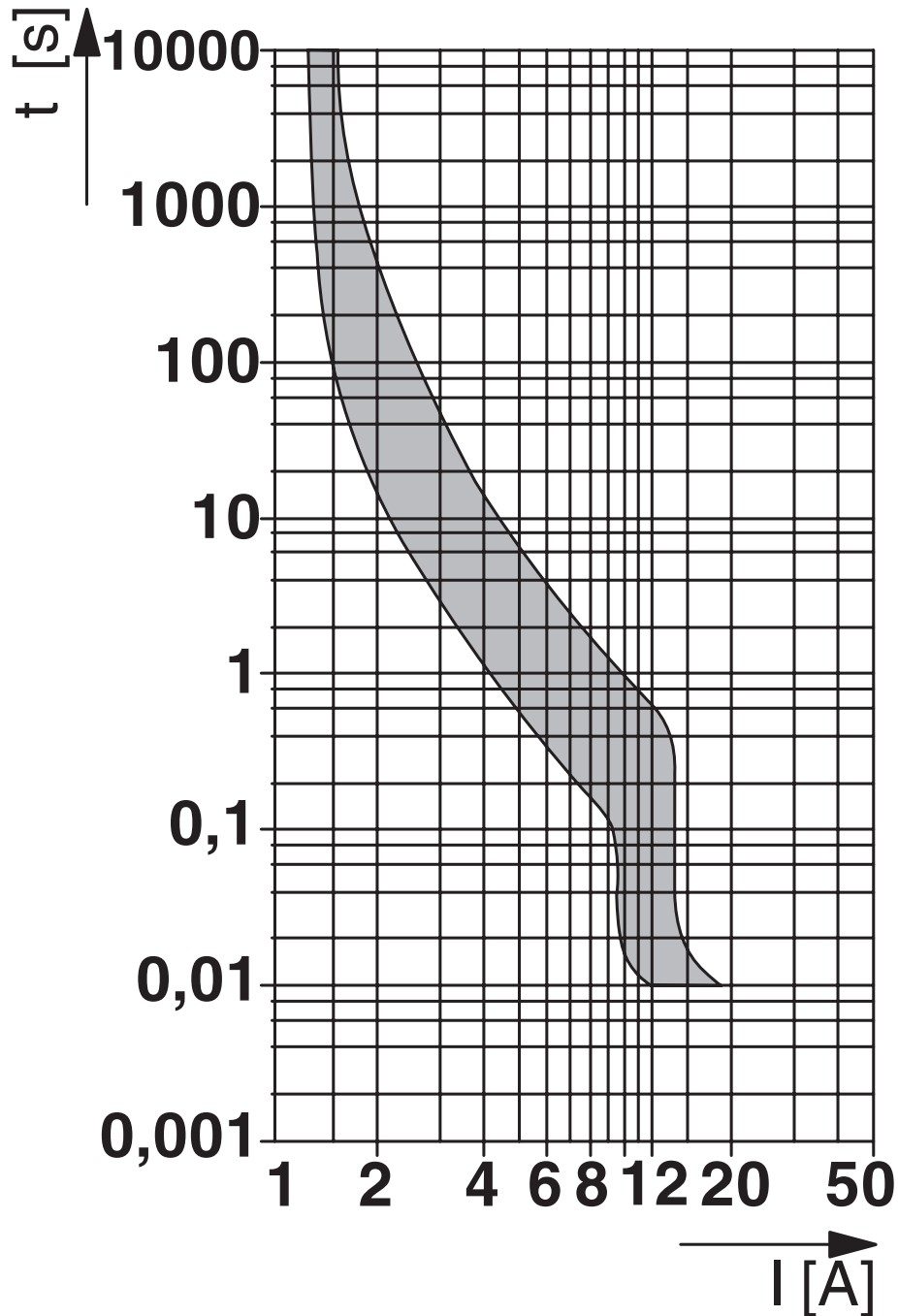
<https://www.phoenixcontact.com/us/products/1010289>



Drawings



Diagram



TMC 83D 40A - Miniature Circuit Breaker





1010289

<https://www.phoenixcontact.com/us/products/1010289>


Approvals

To download certificates, visit the product detail page: <https://www.phoenixcontact.com/us/products/1010289>

 **UL Listed**
Approval ID: FILE E 320373

 **cUL Listed**
Approval ID: FILE E 320373

 **TÜV Rheinland**
Approval ID: R 50531587

 **CCC**
Approval ID: 2024010307673885

cULus Listed

TMC 83D 40A - Miniature Circuit Breaker



1010289

<https://www.phoenixcontact.com/us/products/1010289>

Classifications

ECLASS

ECLASS-11.0	27141116
ECLASS-12.0	27141116
ECLASS-13.0	27140401

ETIM

ETIM 9.0	EC003538
----------	----------

UNSPSC

UNSPSC 21.0	39121410
-------------	----------

TMC 83D 40A - Miniature Circuit Breaker



1010289

<https://www.phoenixcontact.com/us/products/1010289>

Environmental product compliance

EU RoHS

Fulfills EU RoHS substance requirements	Yes, No exemptions
---	--------------------

China RoHS

Environment friendly use period (EFUP)	EFUP-E
	No hazardous substances above the limits

EU REACH SVHC

REACH candidate substance (CAS No.)	No substance above 0.1 wt%
-------------------------------------	----------------------------

Phoenix Contact 2024 © - all rights reserved
<https://www.phoenixcontact.com>

Phoenix Contact USA
586 Fulling Mill Road
Middletown, PA 17057, United States
(+717) 944-1300
info@phoenixcon.com