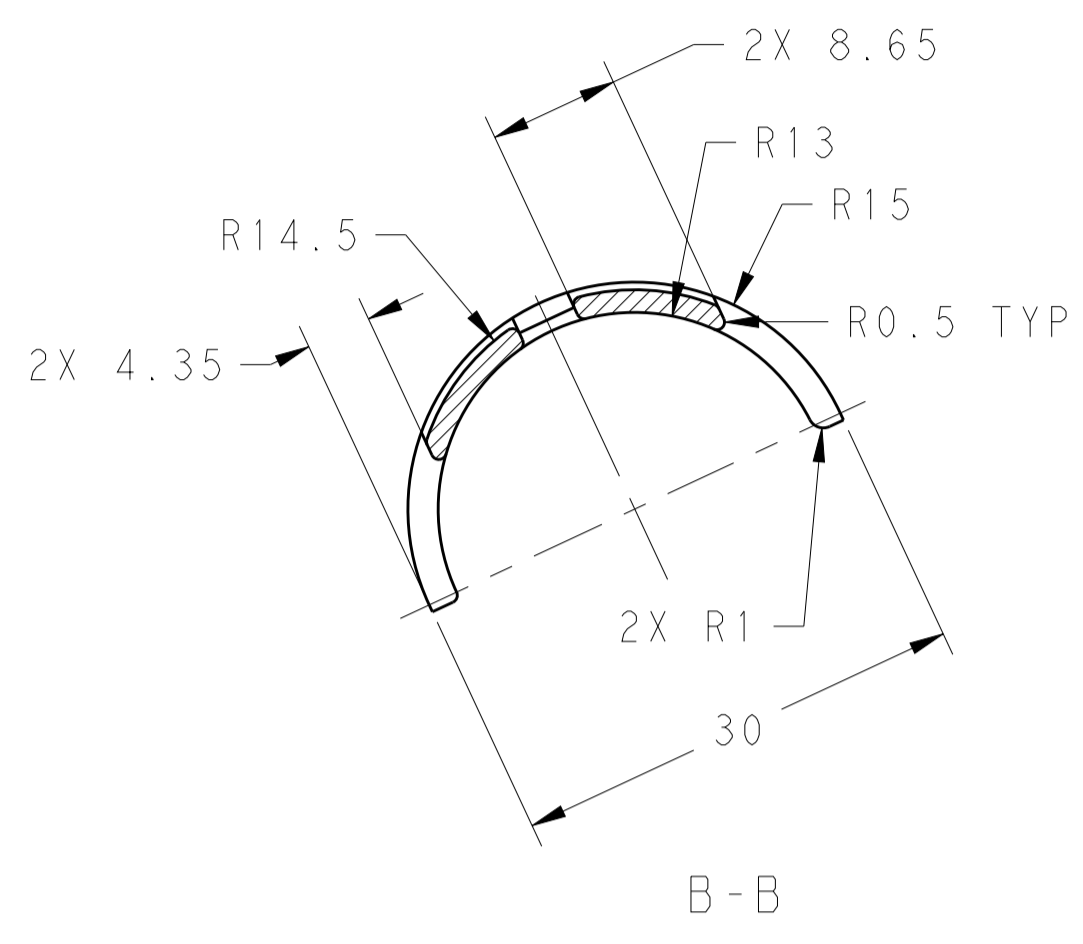
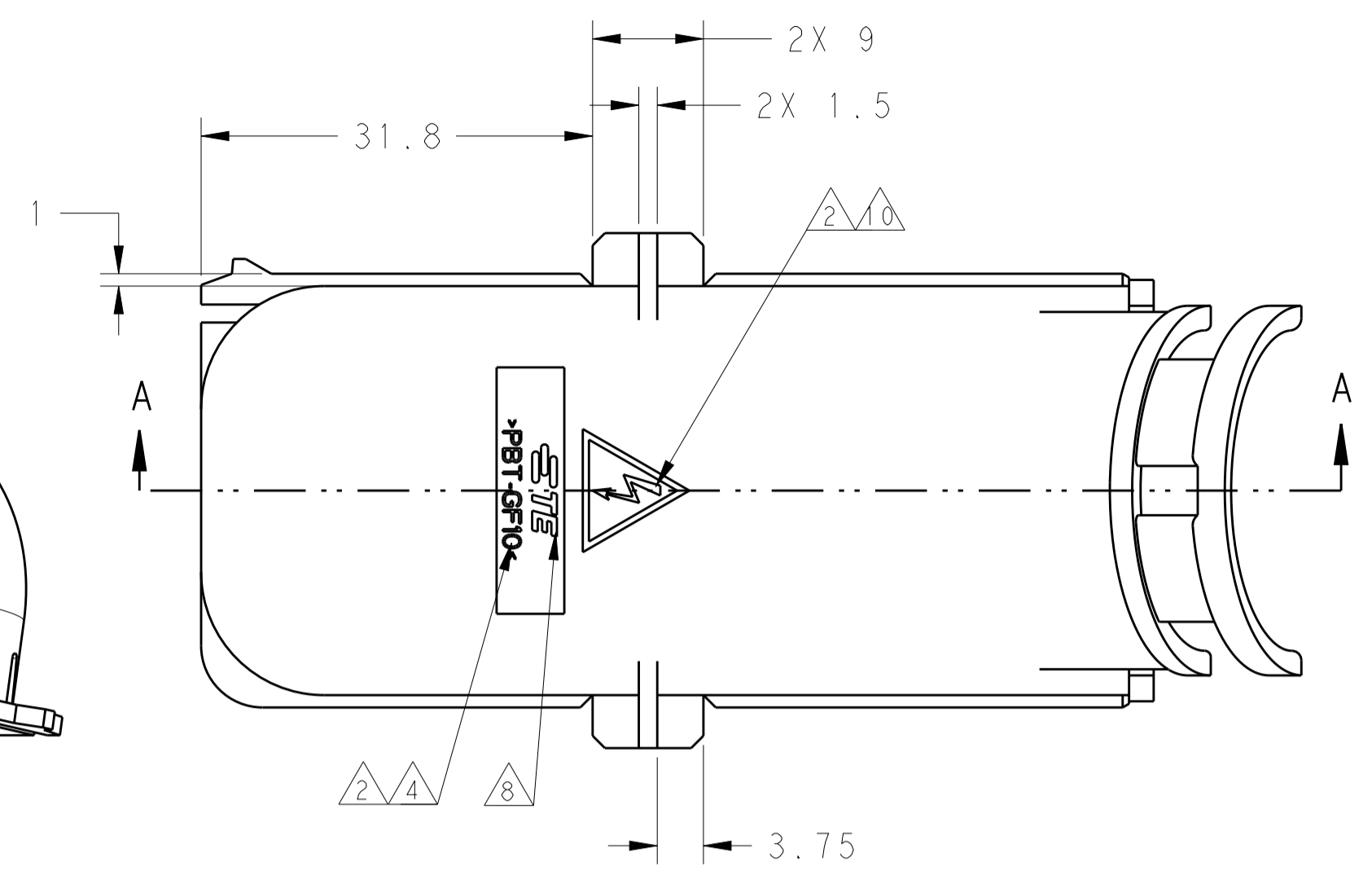
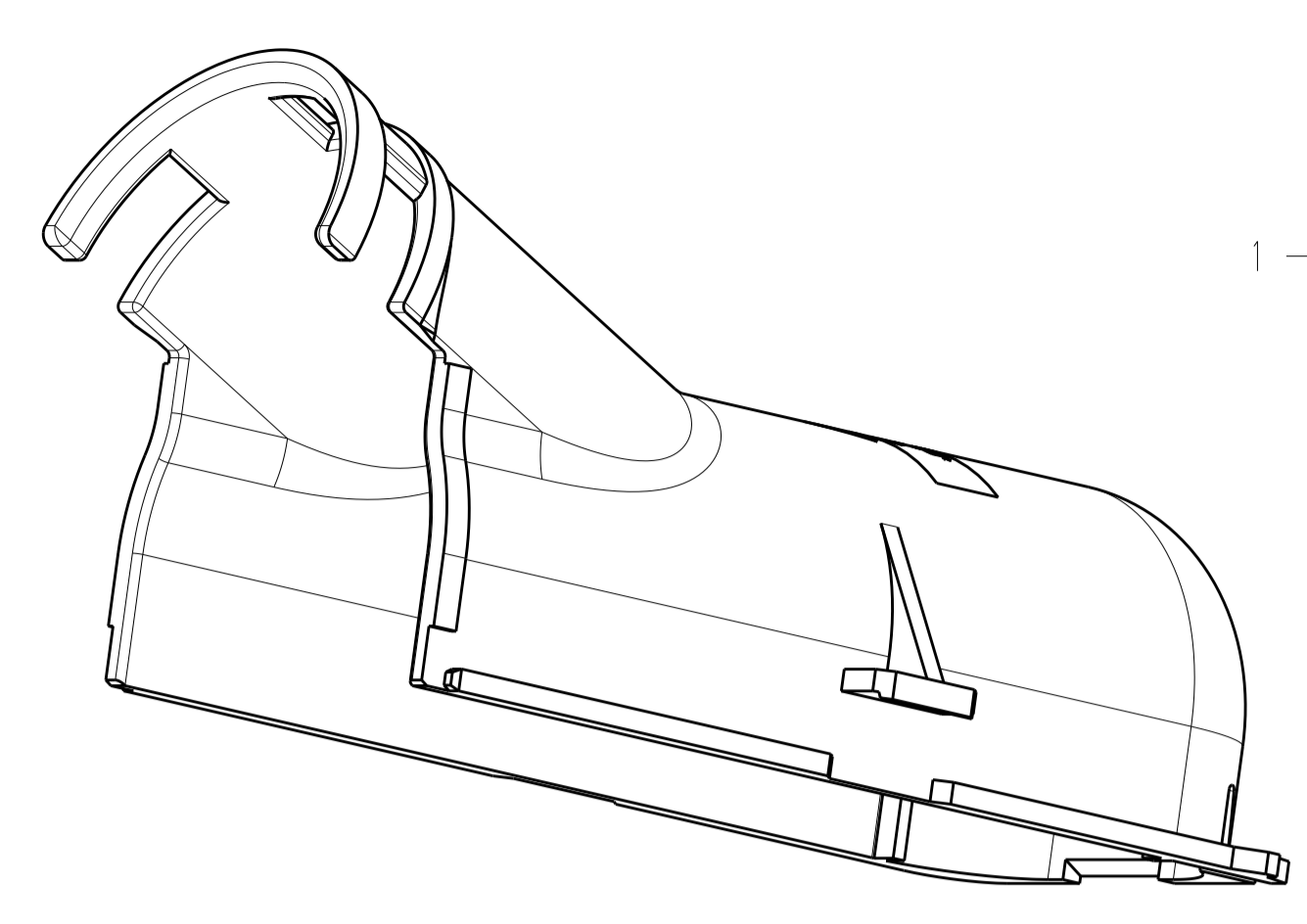
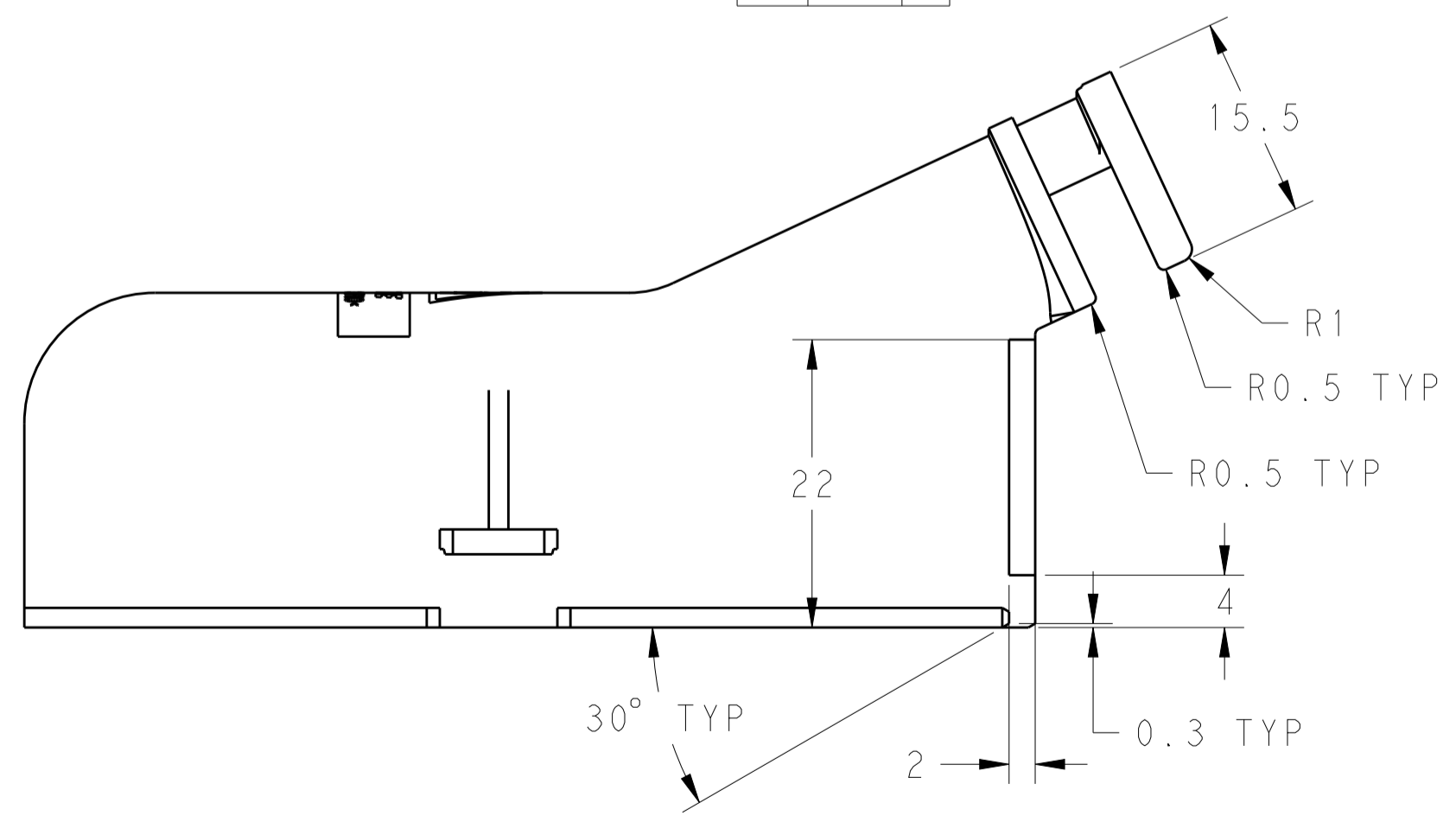
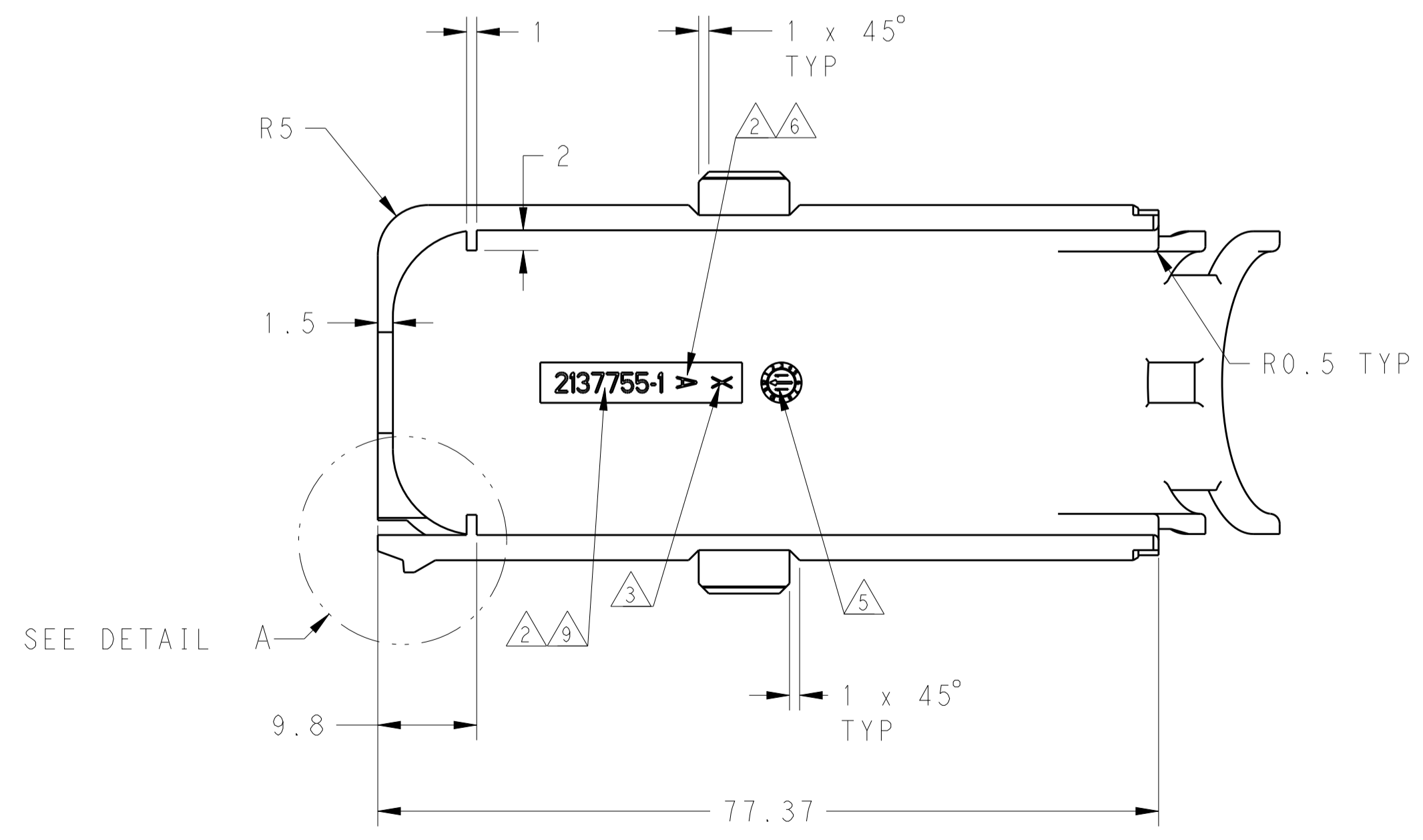
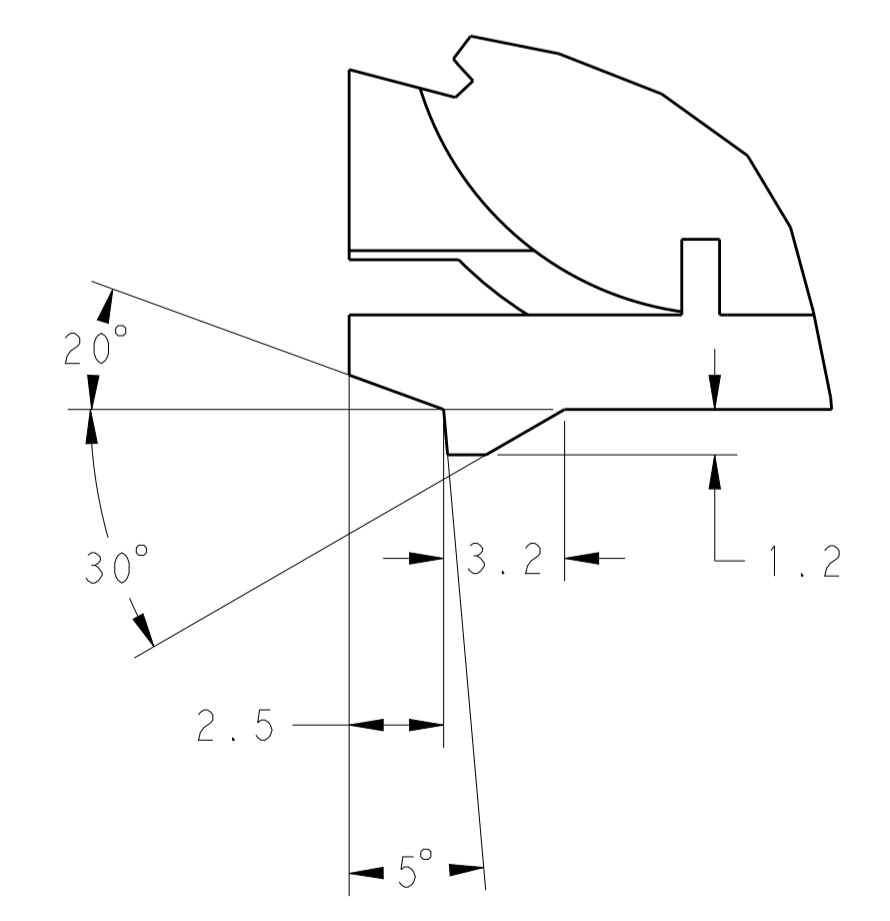
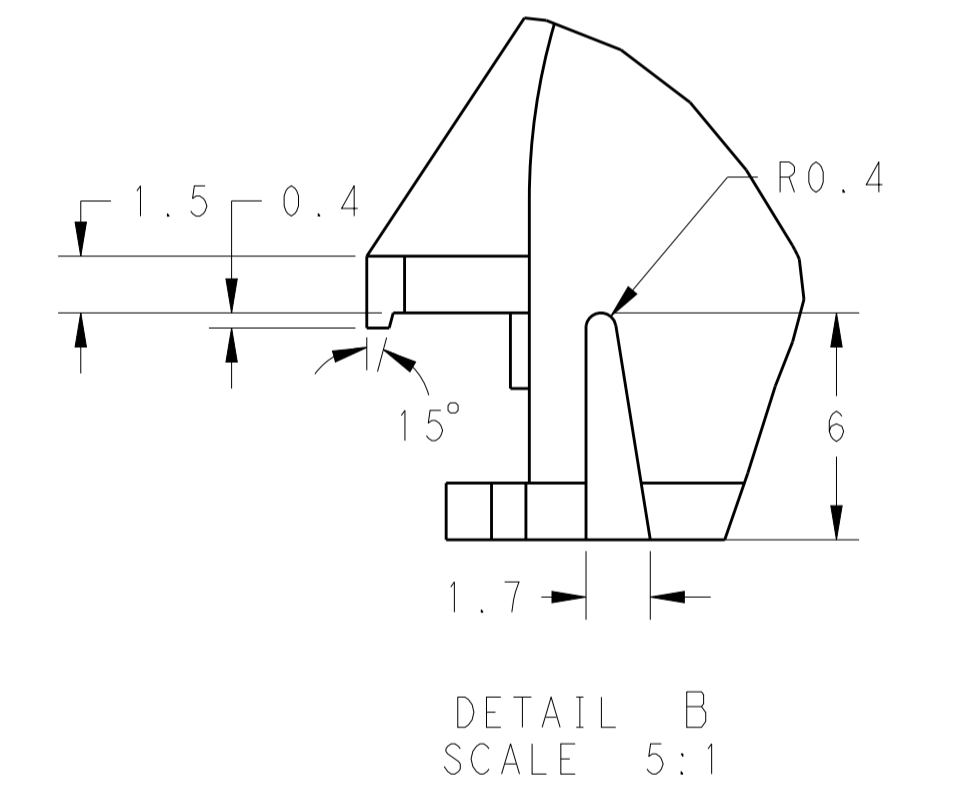
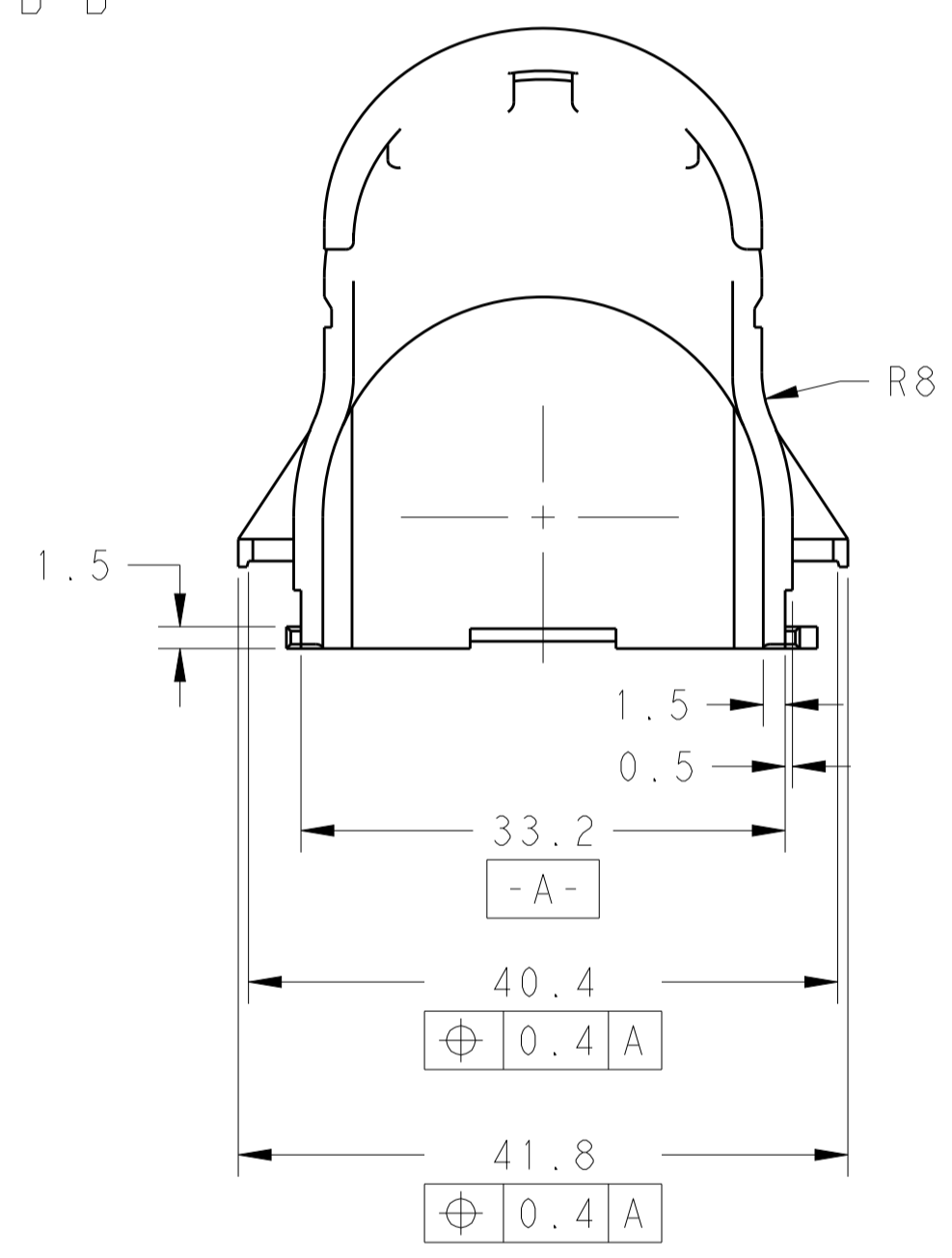
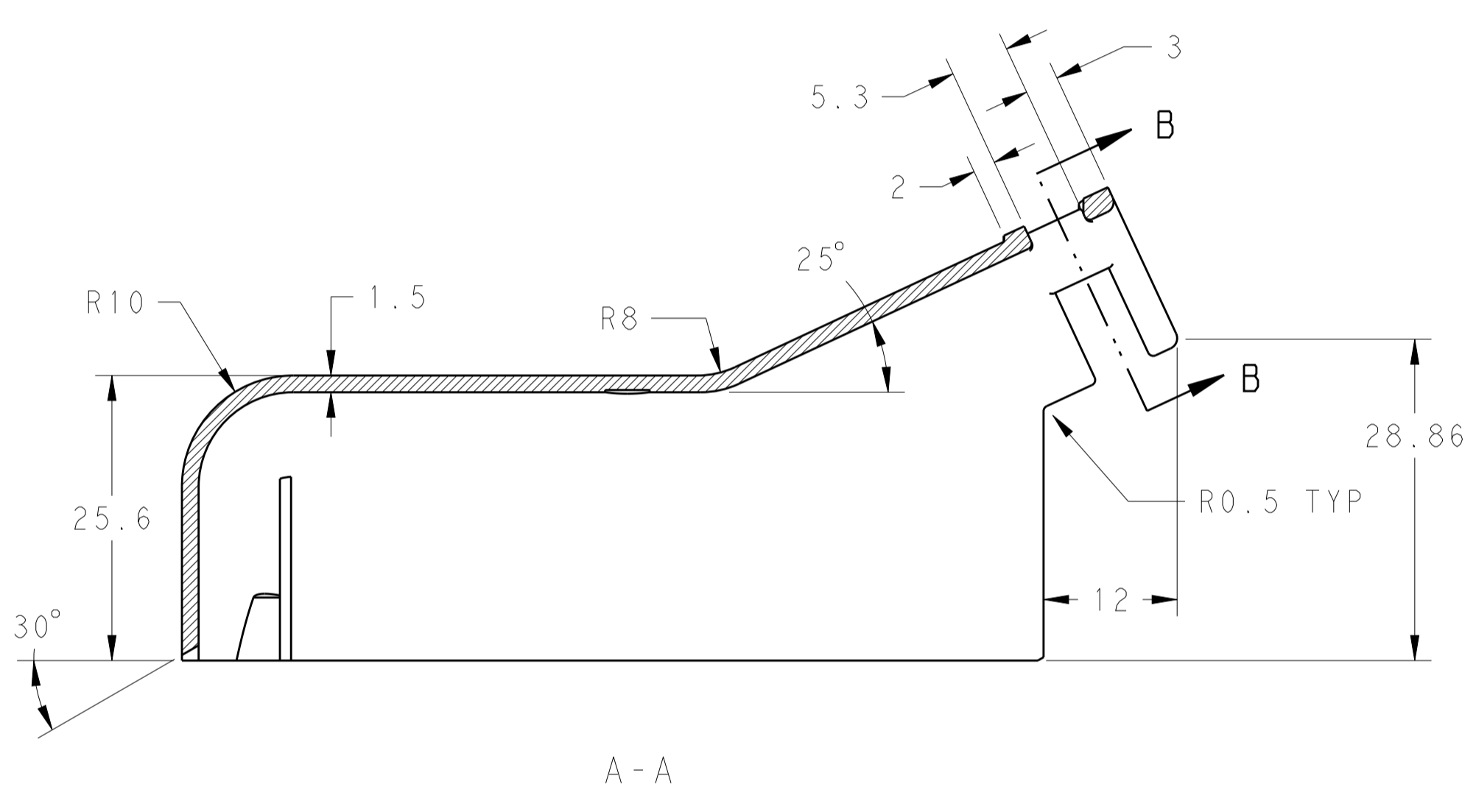
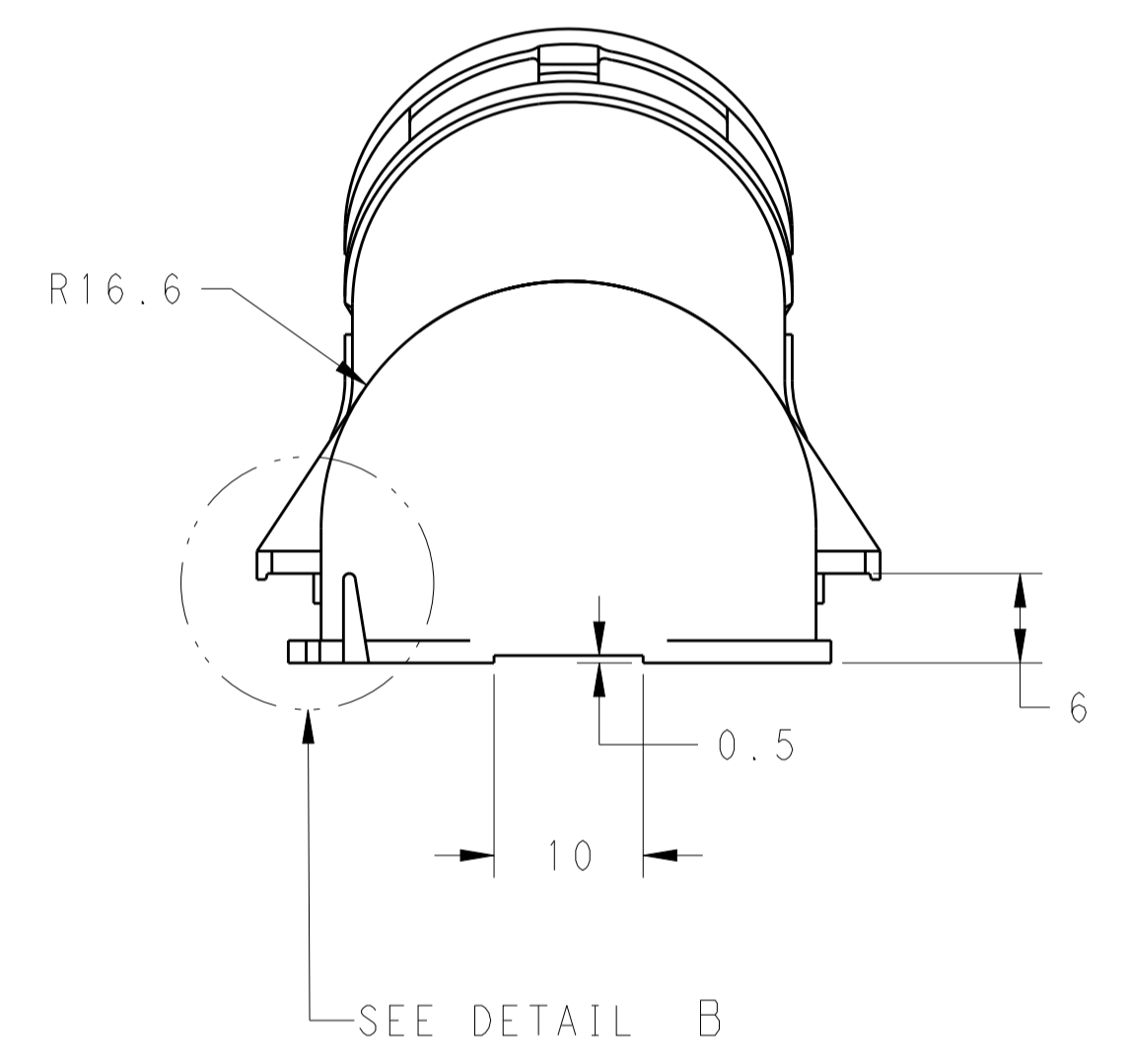


LOC		DIST		REVISONS			
ES	00	P	LTM	DESCRIPTION	DATE	DWN	APVD
		A		RELEASED	15JAN13	JY	IY



- NOTES
- 1 CHARACTERS ACC. TO DIN 1451-HI.5, CHARACTERS 0.15 RAISED
  - 2 EXCHANGEABLE
  - 3 CAVITY MARKING:
  - 4 MATERIAL MARKING ACC. TO VDA 260
  - 5 MANUFACTURE DATE Ø4, RECEDE
  - 6 LETTER INSERT FOR THE REVISION STATUS OF THE MOULD  
ACTUAL STATUS SEE TABLE
  - 7 EXTERNAL SURFACE ACC. TO VDI 3400/27
  - 8 LOGO 1621426-6, ACC.TE SPEC TEC-202-36
  - 9 TE P/N
  - 10 SIGN ACC. TO DIN 40008 WS 1, RECEDE



DETAIL A  
SCALE 5:1

DETAIL B  
SCALE 5:1

2137755-1	A	BLACK	PBT-GF10	1
PART NO.	PART REV.	COLOR	MATERIAL	ITEM

THIS DRAWING IS A CONTROLLED DOCUMENT.

DIMENSIONS:	TOLERANCES UNLESS OTHERWISE SPECIFIED:	DWN J. YU 22JUN11	CHK W. YUAN 10AUG11
mm	±0.2	APVD W. YUAN 10AUG11	NAME
0 PLC	±0.1	PRODUCT SPEC	115DEG 94P COVER FOR REC HSG
1 PLC	±0.1	APPLICATION SPEC	154P ECU CONNECTOR
2 PLC	±0.1	SIZE	A100779
3 PLC	±0.1	CAGE CODE	2137755
4 PLC	±0.1	DRAWING NO	2137755
ANGLES	±1°	RESTRICTED TO	
MATERIAL		WEIGHT	
FINISH		Customer Drawing	SCALE 2:1 SHEET 1 OF 1 REV A