

Safety Control Unit SF-C21



JIS

Creating safety circuits is easier than ever!

Add new features and make it even more convenient!



Input: 10 points
Output: 8 points

Safety input: 2 × 4 points
Reset / EDM input: 2 points
Control output: 2 × 2 points
Auxiliary output: 4 points

Do you have these problems when building safety circuits?

With safety relay units

Combining multiple units together requires complicated wiring and time-consuming checking!!



Safety PLC is convenient but expensive...



Takes up space and it's hard to find space in panels!!



With safety PLC

Programming and debugging requires time-consuming work...



Performance is good, but devices are expensive...



Newly created programs require a safety certification that increases cost and takes even more time.



With previous types of safety control units

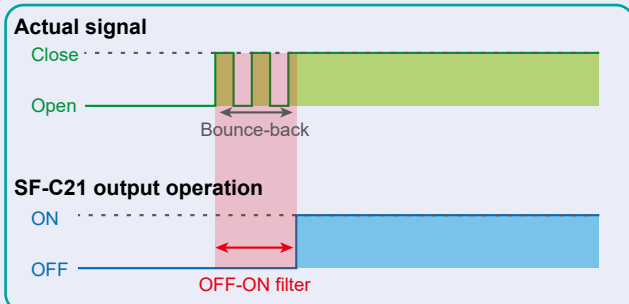
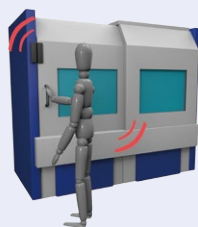
Their convenience is appealing, but how do I build the right logic?



Input filter time setting

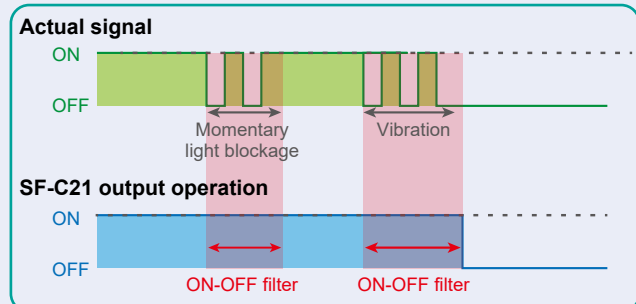
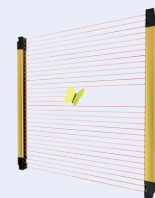
OFF-ON filter

Avoid unstable operation caused by vibrations and/or bounce-back when closing guards.



ON-OFF filter

Avoid unstable operation due to momentary blockages of a safety light curtain by operational vibrations, bugs, dust, and other causes.



When using the ON-OFF filter, note that the OFF response time will increase to the sum of 10 ms and the ON-OFF filter set time.

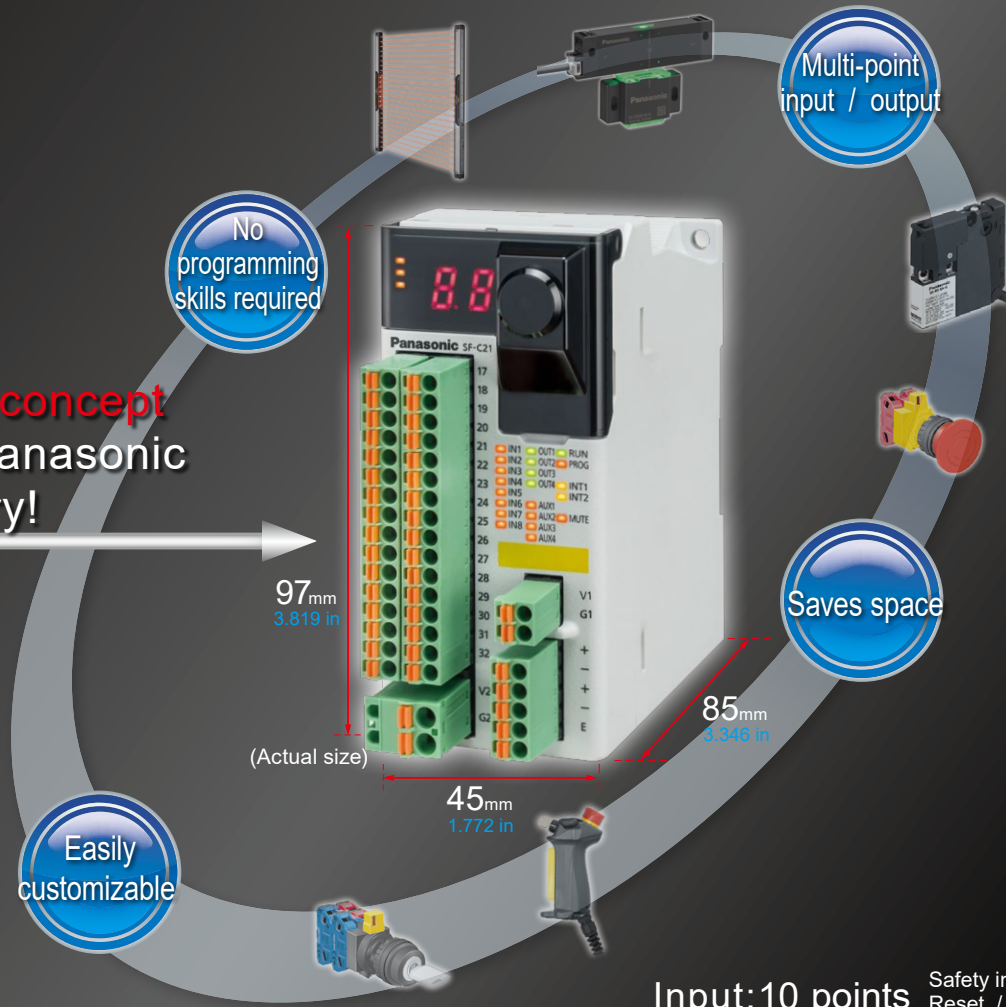
Multiple problems can be solved with just one unit!!

Easy-to-use and reasonably priced

Introducing the Safety Control Unit

SF-C21 !!

A new concept
from Panasonic
Industry!



Input: 10 points
Output: 8 points

Safety input: 2 × 4 points
Reset / EDM input: 2 points
Control output: 2 × 2 points
Auxiliary output: 4 points

Exit-only muting function



We've added an exit-only muting function as an option for the parallel muting function. This functionality is ideal for use in environments where muting input cannot be added to exits such as openings through which workpieces are ejected.

Logic display edit

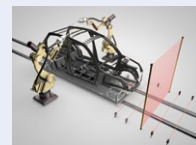


This function lets you assign alphabetical letters as labels when configuring custom logic settings, enabling easy identification of the configuration in use on the unit itself when using multiple custom logic components on multiple safety control units.

Other convenient functions

▶ Extend allowable duration time for sequential muting

The allowable duration time for muting input used with sequential muting control, which was previously limited to a maximum of 10 sec., can now be set to up to 288,000 sec. An unlimited setting is also available.



▶ Windows 10^{*1} support

Configure settings easily with the Configurator SF-C software tool.

Product functionality has been enhanced with a variety of other features.

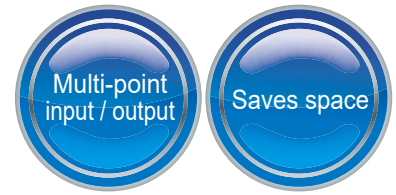
*1: Ver.2.1 or later

*2: Windows 10 is either registered trademarks or trademarks of Microsoft Corporation in the United States and/or other countries.

It's "Easy" with SF-C21

Easy

1 Finding space to install and wire is **easy**

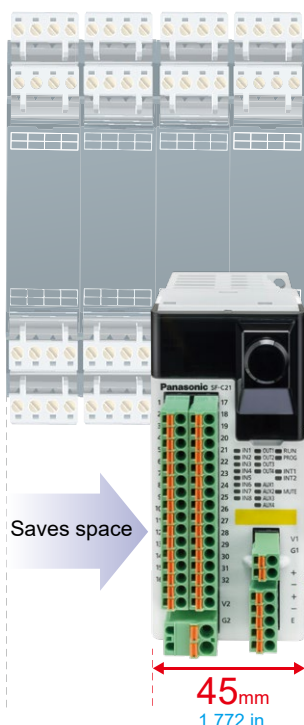


- ▶ One **SF-C21** can do the work of four safety relay units. Simple to wire the units in the control panel!!



- ▶ Small, so the unit can be installed in a narrow space

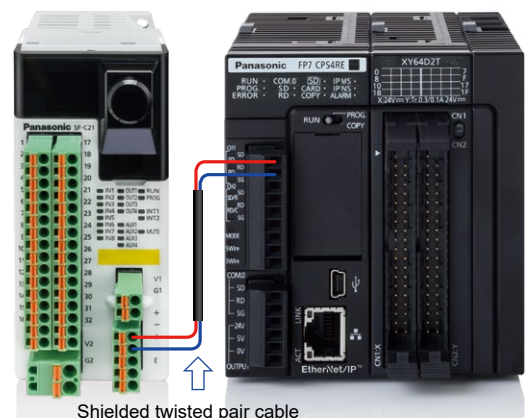
Compact with a height 97 mm 3.819 in × width 45 mm 1.772 in. It's easy to find installation space for the **SF-C21** unit.



- ▶ Easy to monitor status with a general-purpose PLC

Four auxiliary outputs (PNP semiconductor output) are provided.

Using RS-485 communications (MODBUS RTU), various general-purpose control units (PLC, HMI, etc.) can monitor the **SF-C21** information such as the status, the selected logic, and any error status.



- ▶ Long-life semiconductor output (PNP) adopted for control output and auxiliary output

Easy 2

Absolutely no programming skills required. Operation is **easy** - just select a preset logic



Simply turn a switch to set

Eight preset logics, safety-certified and compatible up to control category 4 PLe, can be selected by simply turning the rotary switch.

8 preset logics

- 1** Overall stop control
- 2** Parallel muting control
- 3** Sequential muting control
- 4** Partial stop control 1
- 5** Partial stop control 2
- 6** Two-hand control
- 7** OR control
- 8** Operation mode selection control

*1: The logic customized by user can be stored in the logic No. 0.

Easy to set the "OFF delay"

The OFF delay time can be easily set by simply turning the rotary switch to any one of patterns.

Pattern No.	0	1	2	3	4	5	6	7	8	9
OFF delay time (sec.)	0	0.1	0.5	1	2	5	10	15	30	60

*1: The OFF delay time applies to control output 2. In case of setting the OFF delay time to control output 1, the "Configurator SF-C" software is needed.

Password protection prevents inadvertent logic changes



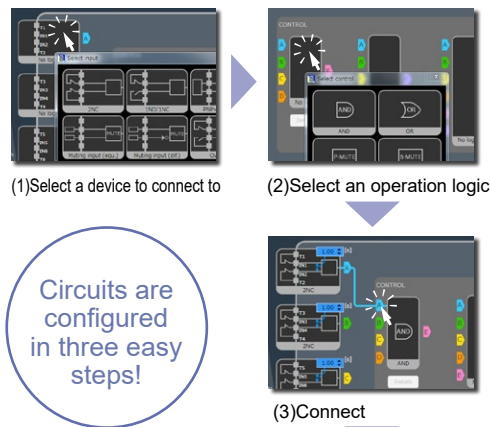
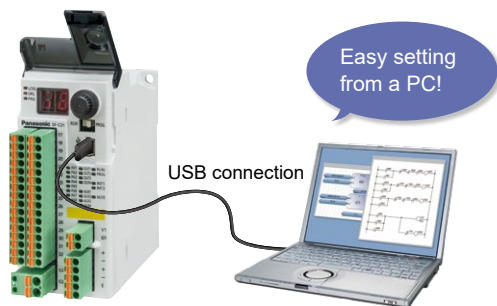
Easy 3

Application-based customization is **easy**



Easy to create a reliable safety circuit

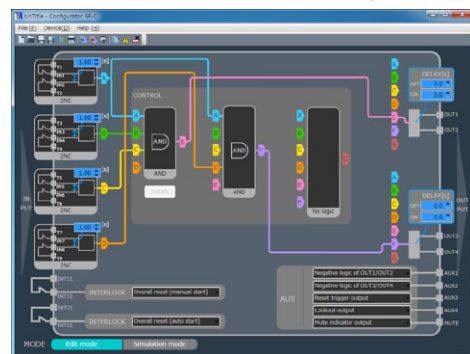
Use our "Configurator SF-C" software to build your own safety circuits of connected devices, control logic, output modes, etc. No programming skills required!



Circuits are configured in three easy steps!

Customized logics are safety-certified too!!

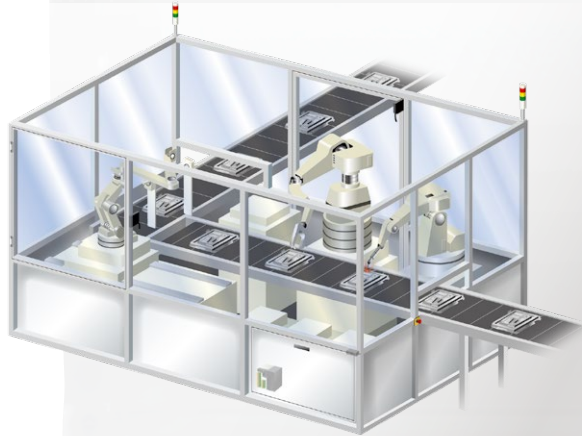
All possible logic combinations created with the "Configurator SF-C" software are already safety-certified by the certification bodies. The software also has a "simulation mode" to test if the prepared logic and safety circuit operates as intended. If the logic is not complete, the software will block its transfer to the SF-C21 unit.



Note: Please read the instruction manual in advance when selecting or creating logics, and verify whether the combination of connecting devices and logics complies with each machine safety standard.

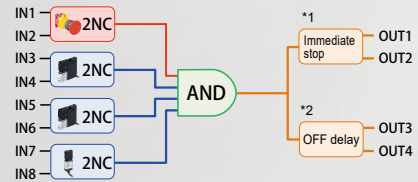
"Configurator SF-C" can be downloaded free of charge from the website on the right. industrial.panasonic.com/ac/e

8 preset logics compatible up to



Overall stop control

When any connected input becomes OFF, the entire control output will be OFF.

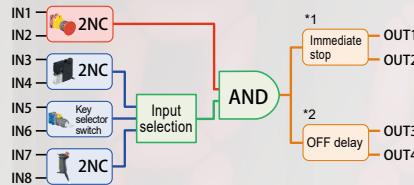


*1: The delay time can be set using the Configurator SF-C.
*2: The initial OFF delay is set to 0 seconds.

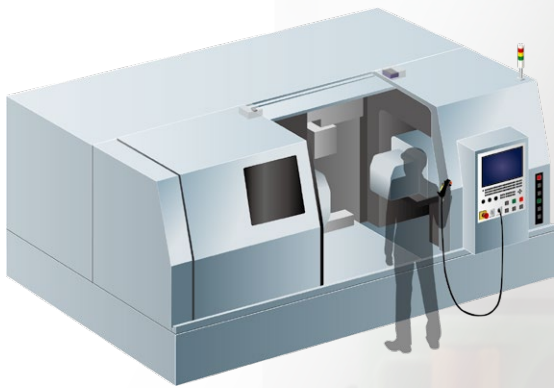


Operation mode selection control

Only when mode selection using the key selector is followed by the enabling switch being turned ON, the control output will be ON regardless of the open / close status of the guard. Note that if the emergency stop switch is OFF, the entire control output will be OFF.

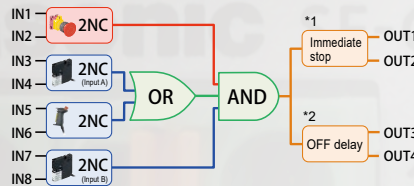


*1: The delay time can be set using the Configurator SF-C. *2: The initial OFF delay is set to 0 seconds.

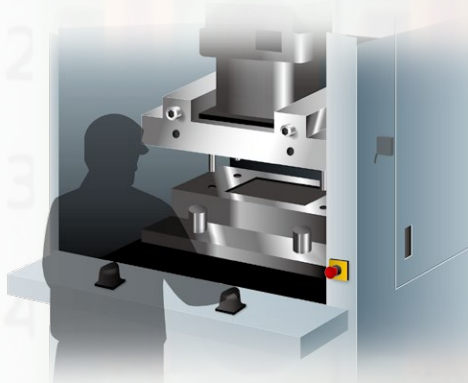


OR control

Even when the guard (input A) is OFF, if the enabling switch is ON the control output will be ON. If either the emergency switch or input B becomes OFF, the entire control output will be OFF regardless of the status of the input A and emergency switch.

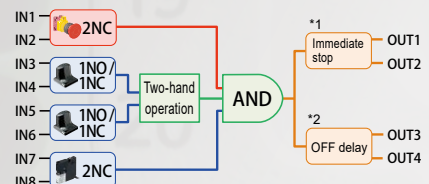


*1: The delay time can be set using the Configurator SF-C. *2: The initial OFF delay is set to 0 seconds.



Two-hand control

This control is applied when a two-hand operation switch is used for control. Only when both switches of the two-hand operation switch are operated within 0.5 sec., control output will be ON.



*1: The delay time can be set using the Configurator SF-C.
*2: The initial OFF delay is set to 0 seconds.

Note: Please make sure that the combination of logics and input devices complies with each machine safety standard.



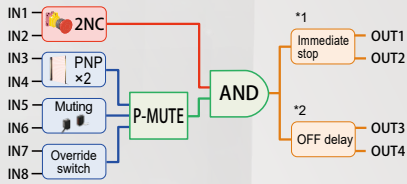
Rotary

control category 4, PLe standards

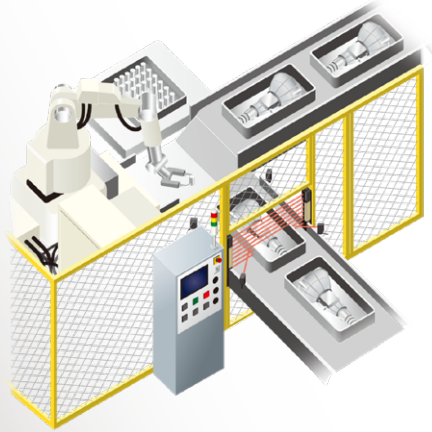
Parallel muting control



When the muting input becomes ON, the safety light curtain will be temporarily disabled.



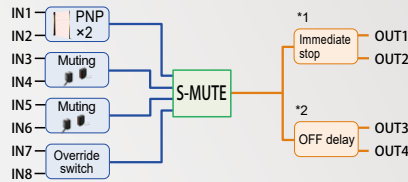
*1: The delay time can be set using the **Configurator SF-C**.
*2: The initial OFF delay is set to 0 seconds.



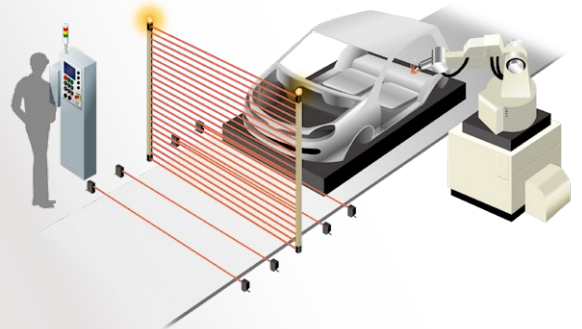
Sequential muting control



Only when the muting input becomes ON following a predefined sequence, the safety light curtain will be temporarily disabled.



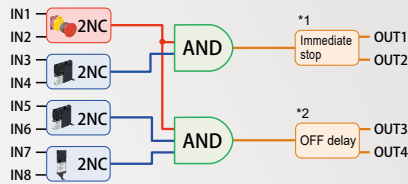
*1: The delay time can be set using the **Configurator SF-C**.
*2: The initial OFF delay is set to 0 seconds.



Partial stop control 1



When the emergency stop input is OFF, the entire control output will be OFF. When any other input is OFF, its corresponding control output will be OFF.



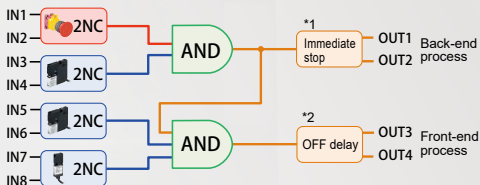
*1: The delay time can be set using the **Configurator SF-C**. *2: The initial OFF delay is set to 0 seconds.



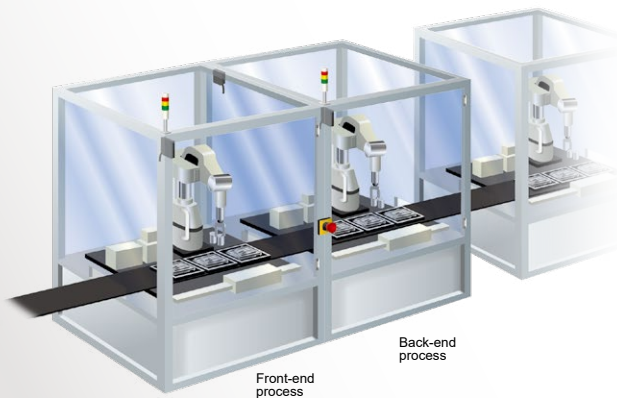
Partial stop control 2



When the emergency stop input or the input from the back-end process becomes OFF, the entire control output will be OFF. When the input from the front-end process becomes OFF, only its corresponding control output will be OFF.



*1: The delay time can be set using the **Configurator SF-C**. *2: The initial OFF delay is set to 0 seconds.



Configurator SF-C

▶ Enable flexible customization

The software provides highly flexible customization. You can create a logic of your own, change the input device types based on the preset logics, or customize logic data uploading from the **SF-C21** main unit. Changing the auxiliary output settings, as well as setting the ON delay / OFF delay time and muting state holding time are all very easy as well. Created logics can be stored in a PC for convenient future use.

Settable items

- **Input device selection**
- **Logic selection (up to three layers)**
- **Reset mode selection (auto / manual, overall / partial)**
- **Auxiliary output settings [Linkage to control output (positive logic and negative logic), monitor output of safety input, reset trigger output, lockout output, etc.]**
- **OFF delay time setting (0.0 to 60.0 sec, in 1/10 sec.)**
- **ON delay time setting [1 to 5,940 sec (99 min), in sec.]**
- **Muting valid time setting [1 to 5,940 sec (99 min), in sec.] or no limit**
- **Override valid time setting (1 to 600 sec, in sec.)**
- **RS-485 (MODBUS RTU) communication settings, etc.**

▶ Multilingual compatibility

The **Configurator SF-C** supports seven languages: Japanese, English, Chinese, Spanish, French, Italian, and Portuguese. Our products support users around the world by fulfilling their diverse needs, such as the empowerment of local staff and implementation of local safety schemes.

▶ Versatile functions

Input filter time setting

Input filter time setting

- **OFF-ON filter:** Avoid unstable operation caused by vibrations and/or bounce-back when closing guards.
- **ON-OFF filter:** Avoid unstable operation due to momentary blockages of a safety light curtain by operational vibrations, bugs, dust, and other causes.

Status monitoring function

The status of input and output devices connected to **SF-C21** can be monitored in real time through USB .

Simulation function

Whether the logic created by the user operates as intended can be verified via a software tool.

Incomplete transfer blocking function

The transfer of incomplete logics to **SF-C21** will be blocked and prevent potential hazards.

Note: Please read the instruction manual in advance when customizing logics, and verify whether the combination of connecting devices and logics complies with each machine safety standard.

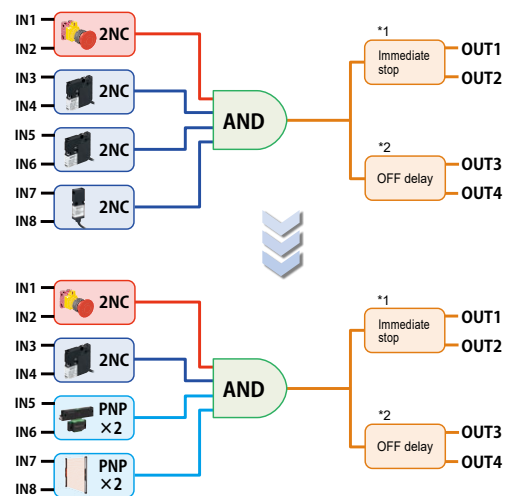
Problem

I want to use a safety light curtain and a magnetic switch, but can't find a suitable preset logic...



Solution

Use the AND control, a preset logic, as the base and change part of the safety input to a safety light curtain (PNP × 2) and a safety magnetic switch (PNP × 2).



*1: The delay time can be set using the **Configurator SF-C**.
 *2: The initial OFF delay is set to 0 seconds.

"Configurator SF-C" can be downloaded free of charge from the website on the right. ▶▶▶▶▶ industrial.panasonic.com/ac/e

ORDER GUIDE

Product name	Appearance	Model No.	Number of input points		Number of output points	
			Safety input	Reset / EDM input	Control output	Auxiliary output
Safety control unit		SF-C21	2 × 4	2	2 × 2	4

SPECIFICATIONS

Product name		Safety control unit	
Item	Model No.	SF-C21	
Applicable standards	Safety	IEC 61508-1 to 7, EN 61508-1 to 7 (SIL3), ISO 13849-1 (Up to Category 4, PL e), IEC 61131-2, IEC 61010-2-201, IEC 62061 (SILCL3), UL 61010-1, UL 61010-2-201, UL 1998, KS C 9811: 2019 (EN 55011), KS C 9610-6-2: 2019 (EN 61000-6-2)	
	EMC	IEC 61000-6-2, IEC 61326-3-1, EN 55011	
Related standards		IEC 60947-1, IEC 60947-5-1, IEC 60947-5-2, IEC 60947-5-5, IEC 60947-5-8, IEC 61496-1, IEC TS 62046, ISO 13851	
Applicable standards and certifications		CE Marking (Machinery Directive, EMC Directive, RoHS Directive), UKCA Marking [Supply of Machinery (Safety) Regulations, EMC Regulations, RoHS Regulations], TÜV SÜD certification, TÜV SÜD NRTL certification, Korea's Radio Waves Act conformity registration	
Supply voltage (Note 1, 2)	Power supply for internal	24 V DC $\pm 10\%$ Ripple P-P10 % or less	
	Power supply for external	24 V DC $\pm 10\%$ Ripple P-P10 % or less	
Current consumption (Note 1, 2)	Power supply for internal	200 mA or less	
	Power supply for external	100 mA or less	
Safety input (IN1 to IN8)		2 × 4 inputs, Rated voltage: Same as the voltage of the power supply for internal	
	ON level / OFF level	Input voltage: 18 V, Input current: 3.5 mA / Input voltage: 5 V, Input current: 1.0 mA	
	Rated input current / Input impedance	5 mA approx. / 4.7 KΩ approx.	
	Duration of detectable ON state	10 ms or more	
	Duration of undetectable OFF state	0.7 ms or less	
Control output (OUT1 to OUT4)		PNP open-collector transistor with 2 outputs × 2 <ul style="list-style-type: none"> • Maximum source current: 300 mA / output • Residual voltage: 2.5 V or less • Applied voltage: Same as the voltage of the power supply for external • Leakage current: 100 μA or less (Including power supply OFF condition) 	
	Output mode	True : ON, False : OFF	
	ON delay function / OFF delay function	Incorporated / Incorporated	
	Short-circuit protection / Response time	Incorporated / OFF response: 10 ms or less, ON response: 100 ms or less	
Auxiliary output (AUX1 to AUX4) (Non-safety output)		PNP open-collector transistor with 1 output × 4 <ul style="list-style-type: none"> • Maximum source current: 60 mA / output • Residual voltage: 2.5 V or less • Applied voltage: Same as the voltage of the power supply for external • Leakage current: 100 μA or less (Including power supply OFF condition) 	
	Output mode (Factory defaults)	AUX1: Negative logic of OUT1 / OUT2 (ON when OUT1 / OUT2 is OFF) AUX2: Negative logic of OUT3 / OUT4 (ON when OUT3 / OUT4 is OFF) AUX3: Reset trigger output (ON under reset release wait condition) AUX4: Lockout output (OFF when lockout)	
	Output mode (Any of the auxiliary outputs can be customized using the software tool)	Negative logic of OUT1 / OUT2 (ON when OUT1 / OUT2 is OFF) Positive logic of OUT1 / OUT2 (ON when OUT1 / OUT2 is ON) Outputs A, B, C, and D of diagnosis results of input blocks (ON when logic is true) Reset trigger output (ON under reset release wait condition) Muting indicator output (ON when muting / override) No output (normally OFF)	
	Short-circuit protection / Response time	Incorporated / 10 ms or less	
Muting indicator output		Semiconductor photo MOS relay output × 1 <ul style="list-style-type: none"> • Maximum load current: 60 mA • Residual voltage: 2.5 V or less • Supply voltage: Same as the voltage of the power supply for internal • Leakage current: 100 μA or less (Including power supply OFF condition) 	
	Output mode	ON when muting / override	
	Short-circuit protection / Response time	Incorporated / 10 ms or less	
Interlock function / Lockout release function		Incorporated / Incorporated	
External device monitor function		Incorporated	
Communication function (MODBUS RTU)		Interface: RS-485, Protocol: MODBUS RTU, Maximum transmission distance: 100 m 328.084 ft , Maximum number of units that can be connected: 8 units (slaves)	
Logic selection function		No.0: Customization control No.1: Overall stop control No.2: Parallel muting control No.3: Sequential muting control No.4: Partial stop control 1 No.5: Partial stop control 2 No.6: Two-hand control No.7: OR control No.8: Operation mode selection control	
Logic setting function		Input mode, control mode, output mode, reset mode, auxiliary output mode	
Pollution degree / Excess voltage category		2 / II	
Usable altitude (Note 3)		2,000 m 6561.680 ft or less	
Startup time after power on		2 sec. or less	
PFH _D (Note 4) / MTTF _D (Note 4)		9.73 × 10 ⁻¹⁰ / 100 years or more	
Environmental resistance	Protection	IP20 (IEC) (must be installed in a control panel with protection IP54 or higher)	
	Ambient temperature	-10 to +55 °C +14 to +131 °F (No dew condensation or icing allowed), Storage: -25 to +60 °C -13 to +140 °F	
	Ambient humidity	30 to 85% RH, Storage: 30 to 85% RH	
	Dielectric strength voltage / Insulation resistance	1,000 V AC for one min. / 20 MΩ, or more, with 500 V DC megger (All inputs connected together - USB port, all inputs connected together - RS-485 port, USB port - RS-485 port, between all supply terminals connected together and enclosure, all outputs connected together - all input connected together, all outputs connected together - USB port, all outputs connected together - RS-485 port)	
	Vibration resistance	5 to 8.4 Hz frequency, 3.5 mm 0.138 in half amplitude, 8.4 to 150 Hz frequency, Acceleration 9.8 m/s ² (1 G), in X, Y and Z directions for two hours each (IEC / EN 60068-2-6)	
	Shock resistance	147 m/s ² (15 G) 11 ms in X, Y and Z directions for three times each (IEC / EN 60068-2-27)	
Connection method		Input / output and power supply: Detachable spring cage terminal blocks, RS-485: Detachable spring-cage terminal block, USB: Mini-B male	
Maximum cable length		100 m 328.084 ft or less	
Material		Main unit enclosure: Polycarbonate / ABS polymer alloy, Enclosure: Polycarbonate	
Weight		Net weight: 190 g approx., Gross weight: 320 g approx.	

Notes: 1) "Power supply for internal" is the power supply for safety input. "Power supply for external" is the power supply for control output / auxiliary output. The power supplies for internal and external are insulated.

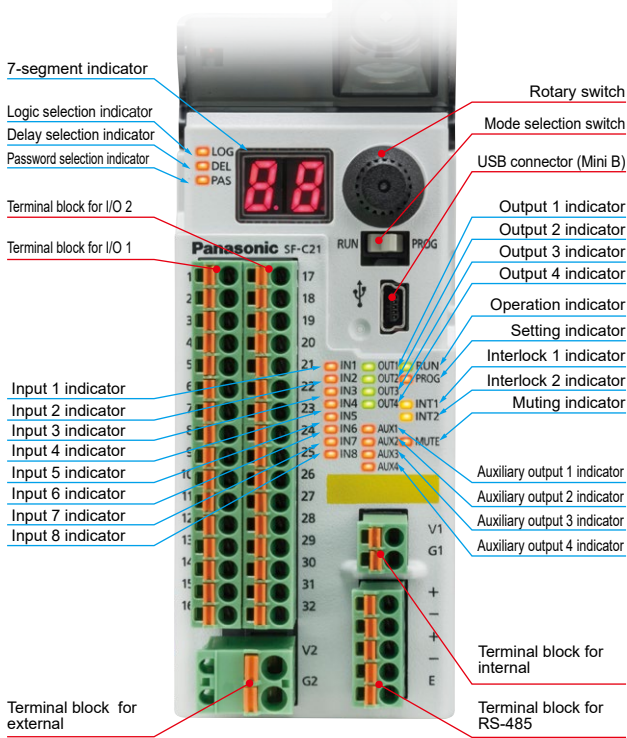
2) The power supply unit connected to this device must satisfy the conditions below.

- Output voltage within 20.4 V to 26.4 V DC (Ripple P-P: 10% or less.)
- Power supply unit SELV (safety extra low voltage) / PELV (protected extra low voltage) conforming to the EMC Directive and Low-voltage Directive (In case CE Marking conformity is required.)
- Power supply unit conforming to the Low-voltage Directive and with an output of 100 VA or less
- Power supply unit with an output holding time of 20 ms or more.
- Power supply unit SELV (safety extra low voltage) / PELV (protected extra low voltage) conforming to the EMC Regulations and Low-voltage Regulations (In case UKCA Marking conformity is required.)
- Power supply unit corresponding to CLASS 2 (In case C-TÜV US Listing Mark conformity is required.)

3) Do not use or store this device in a pressurized environment beyond the atmospheric pressure at sea level.

4) PFH_D: Probability of dangerous failure per hour, MTTF_D: Mean time to dangerous failure (in years)

TERMINAL ARRANGEMENT DIAGRAM



Terminal block name	Terminal No.	Terminal name	Function
Terminal block for I/O 1	1	IN1	Safety input 1
	2	T1	Safety input 1 / test output
	3	IN2	Safety input 2
	4	T2	Safety input 2 / test output
	5	IN3	Safety input 3
	6	T3	Safety input 3 / test output
	7	IN4	Safety input 4
	8	T4	Safety input 4 / test output
	9	MUTE1	Muting indicator output 1_1
	10	NC	Not connected
	11	INT11	Reset input 1 / test output
	12	INT12	Reset input 1
	13	AUX1	Auxiliary output 1
	14	AUX2	Auxiliary output 2
	15	AUX3	Auxiliary output 3
	16	AUX4	Auxiliary output 4
Terminal block for I/O 2	17	IN5	Safety input 5
	18	T5	Safety input 5 / test output
	19	IN6	Safety input 6
	20	T6	Safety input 6 / test output
	21	IN7	Safety input 7
	22	T7	Safety input 7 / test output
	23	IN8	Safety input 8
	24	T8	Safety input 8 / test output
	25	MUTE2	Muting indicator output 1_2
	26	NC	Not connected
	27	INT21	Reset input 2 / test output
	28	INT22	Reset input 2
	29	OUT1	Control output 1
	30	OUT2	
	31	OUT3	Control output 2
	32	OUT4	

Power supply for external	Terminal No.	Terminal name	Function
V2	V2	V2	Power supply for control output / power supply for auxiliary output (+V)
G2	G2	G2	Power supply for control output / power supply for auxiliary output (0V)

Power supply for internal	Terminal No.	Terminal name	Function
V1	V1	V1	Power supply for safety input (+V)
G1	G1	G1	Power supply for safety input (0V)

RS-485	Terminal No.	Terminal name	Function
	+	+	Transmission line (+)
	-	-	Transmission line (-)
	+	+	Transmission line (+)
	-	-	Transmission line (-)
	E	E	Terminal station setting

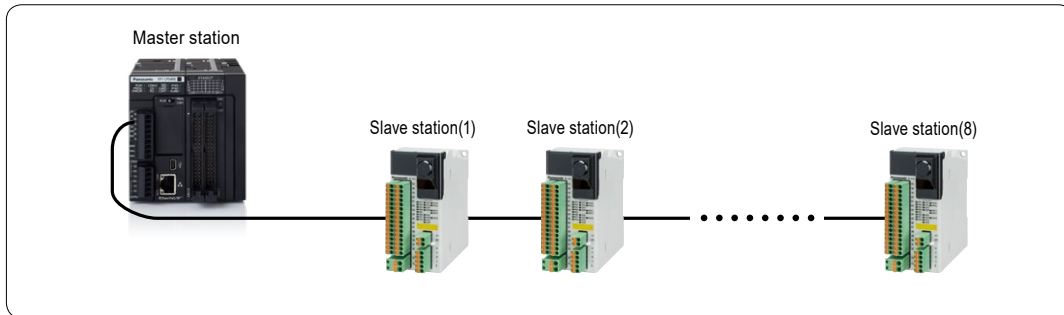
Note: For an input device requiring a separate power supply, such as a safety light curtain, use the same power supply as the power supply for internal.

RS-485 (MODBUS RTU) SPECIFICATIONS

With built-in RS-485, **SF-C21** can read out its status, error history, etc. to an external device such as a general-purpose PLC, using the MODBUS RTU protocol.

Up to eight **SF-C21** units can communicate with the external device as the master station.

The communication preference of MODBUS RTU is set with the DIP switch on the main unit or the software tool "**Configurator SF-C**".



Types of data that can be read out

- Status (HIGH, LOW) of safety input and reset / EDM output
- Status (HIGH, LOW) of control output, auxiliary output, and muting indicator output
- Lockout history
- Logic No. change history

MODBUS RTU SPECIFICATIONS

Interface	RS-485
Max. transmission distance	100 m 328.084 ft
Communication address	1-247
Data length	8 bits (fixed)
Parity bit	Without / Odd / Even
Stop bit	1 bit / 2 bits
Communication speed	9,600 bps
	19,200 bps
	38,400 bps
	57,600 bps
	115,200 bps

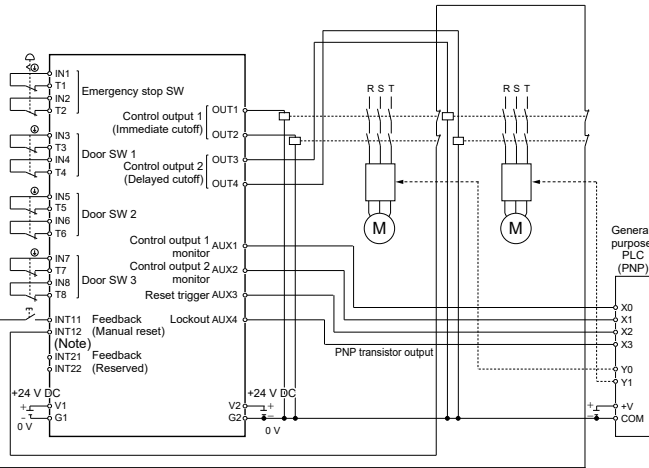
MAIN BODY DIP SWITCH SPECIFICATIONS

Switch No.	Setting item	Input status	
		OFF	ON
1	Communication preference settings	DIP switches take precedence	Software tools take precedence
2	Parity bit presence	With	Without
3	Parity bit type	Odd	Even
4	Stop bit	1	2
5	Communication address 1	SW5: OFF, SW6: OFF	
	Communication address 2	SW5: ON, SW6: OFF	
6	Communication address 3	SW5: OFF, SW6: ON	
	Communication address 4	SW5: ON, SW6: ON	
7	Communication speed	9,600 bps	19,200 bps
8	Reserved	-	-
9	Reserved	-	-
10	Reserved	-	-

Note: The **SF-C21** cannot be controlled by an external device.

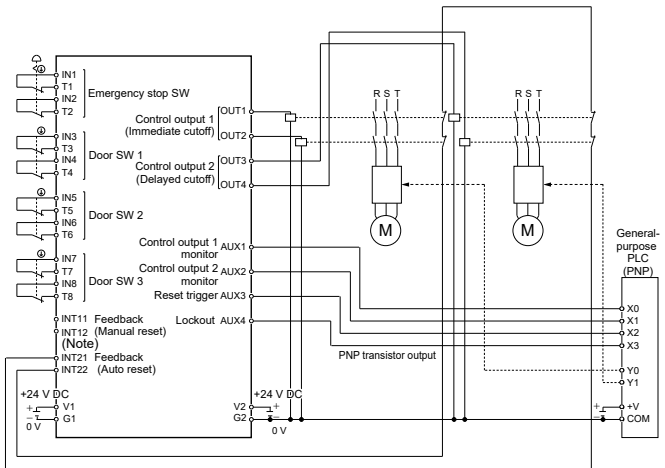
CONNECTION EXAMPLES

Logic No.1 Overall stop control (Manual reset mode)



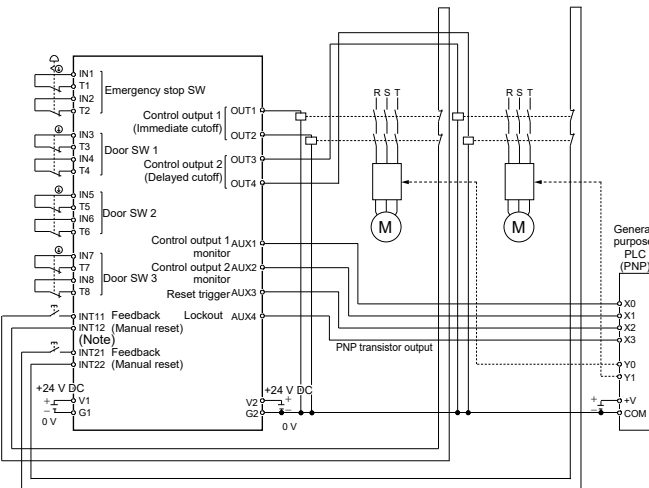
Note: Select contacts that can support the micro load of 6 mA at 24V DC as the reset switch and KA and KB contacts used for INT11 / INT12 (INT21 / INT22).

Logic No.1 Overall stop control (Auto reset mode)



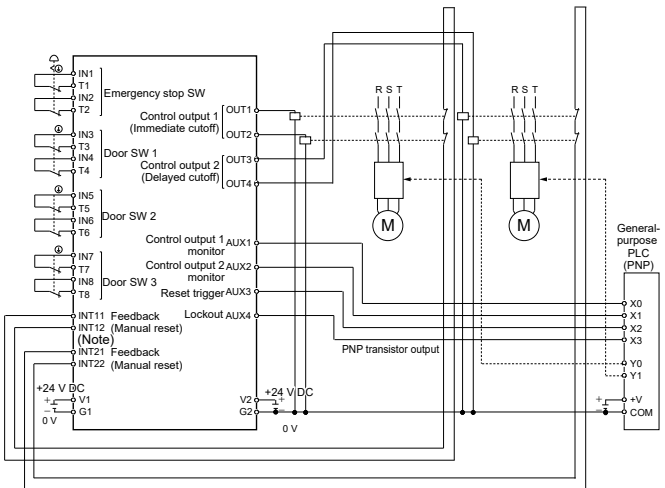
Note: Select contacts that can support the micro load of 6 mA at 24V DC as the reset switch and KA and KB contacts used for INT11 / INT12 (INT21 / INT22).

Logic No.4 Partial stop control 1 (Manual reset mode)



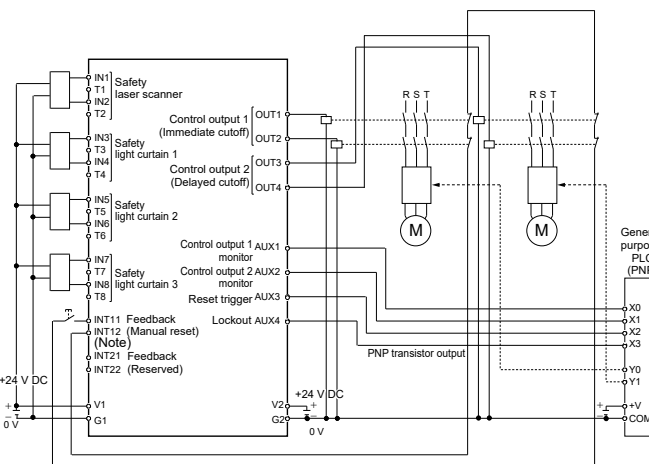
Note: Select contacts that can support the micro load of 6 mA at 24V DC as the reset switch and KA and KB contacts used for INT11 / INT12 (INT21 / INT22).

Customization example, based on logic No.4 Partial stop control 1 (Auto reset mode)



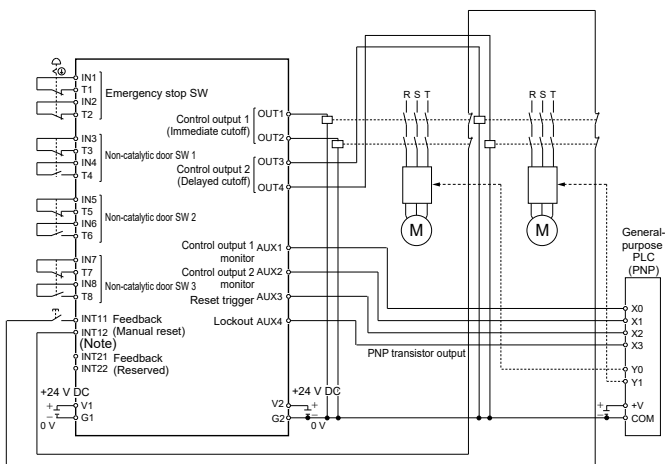
Note: Select contacts that can support the micro load of 6 mA at 24V DC as the reset switch and KA and KB contacts used for INT11 / INT12 (INT21 / INT22).

Customization example, based on logic No.1 Overall stop control (Manual reset, when all input devices are changed to PNP input x 2)



Note: Select contacts that can support the micro load of 6 mA at 24V DC as the reset switch and KA and KB contacts used for INT11 / INT12 (INT21 / INT22).

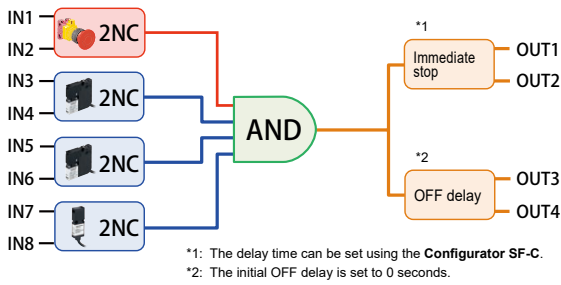
Customization example, based on logic No.1 Overall stop control (Manual reset, when input 3 to 8 are changed to devices with 1NC / 1NO)



Note: Select contacts that can support the micro load of 6 mA at 24V DC as the reset switch and KA and KB contacts used for INT11 / INT12 (INT21 / INT22).

PRESET LOGICS SPECIFICATIONS

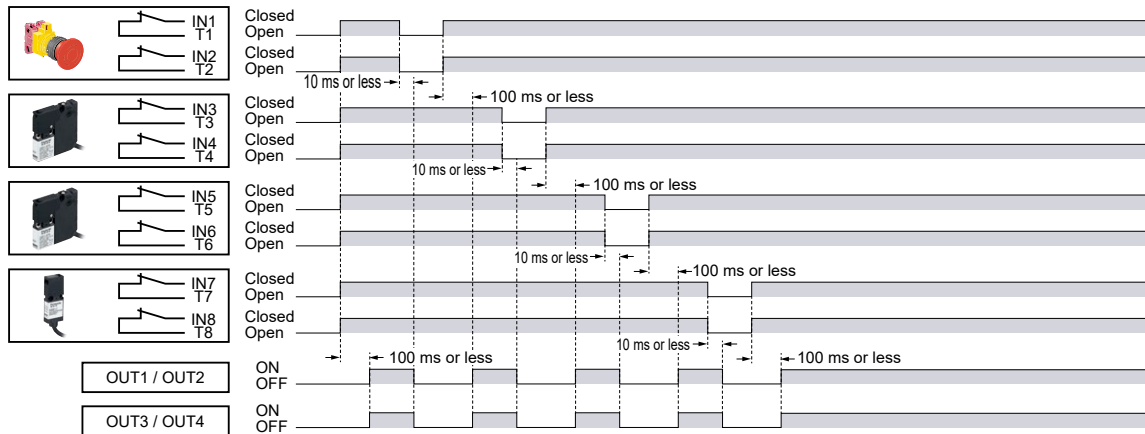
Logic No.1 Overall stop control



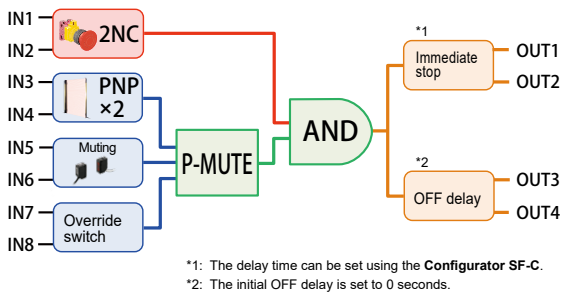
	I/O		Details
		Function	
Safety input	IN 1 / IN 2		2NC contact input
	IN 3 / IN 4		2NC contact input
	IN 5 / IN 6		2NC contact input
	IN 7 / IN 8		2NC contact input
Control output	OUT1 / OUT2	Interlock	Overall reset (auto / manual)
		OFF delay	N / A
	OUT3 / OUT4	Interlock	Overall reset (auto / manual)
		OFF delay	0 sec. (factory defaults, Max. 60 sec.)
Auxiliary output	AUX1		Negative logic of OUT1 / OUT2
	AUX2		Negative logic of OUT3 / OUT4
	AUX3		Reset trigger
	AUX4		Lockout

Time chart (When auto-reset)

ON response: 100 ms or less OFF response: 10 ms or less Note: When manually reset, ON in 100 ms or less after reset input (150 ms to 4 sec.) is entered.



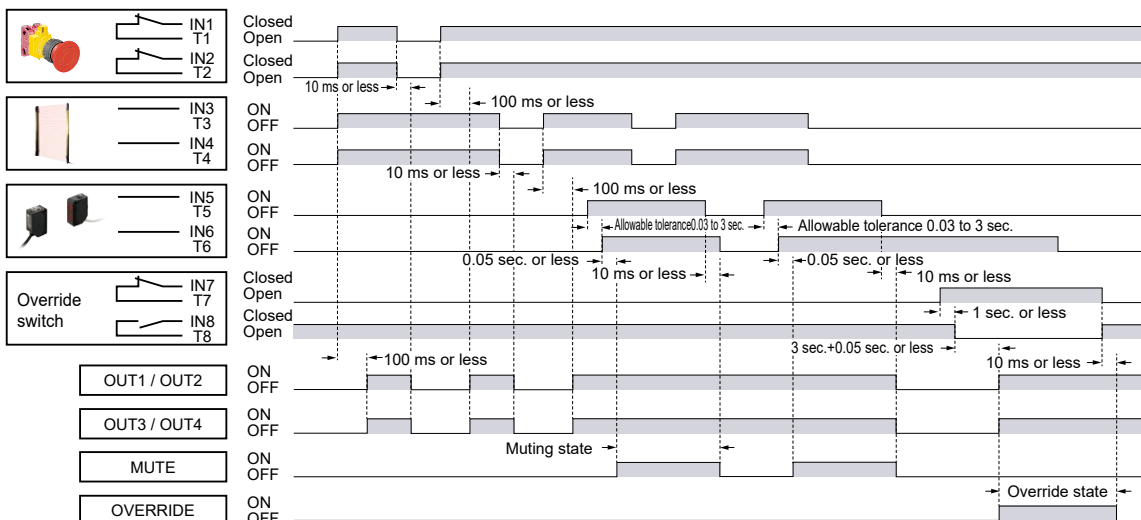
Logic No.2 Parallel muting control



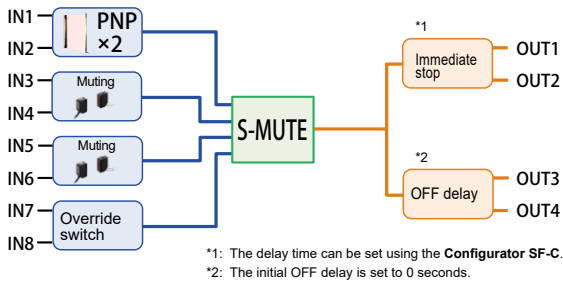
	I/O		Details
		Function	
Safety input	IN 1 / IN 2		2NC contact input
	IN 3 / IN 4		PNP semiconductor input x 2 (equivalence)
	IN 5 / IN 6		Muting input (equivalence)
	IN 7 / IN 8		Override input
Control output	OUT1 / OUT2	Interlock	Overall reset (auto / manual)
		OFF delay	N / A
	OUT3 / OUT4	Interlock	Overall reset (auto / manual)
		OFF delay	0 sec. (factory defaults, Max. 60 sec.)
Auxiliary output	AUX1		Negative logic of OUT1 / OUT2
	AUX2		Negative logic of OUT3 / OUT4
	AUX3		Reset trigger
	AUX4		Lockout

Time chart (When auto-reset)

ON response: 100 ms or less OFF response: 10 ms or less Note: When manually reset, ON in 100 ms or less after reset input (150 ms to 4 sec.) is entered.

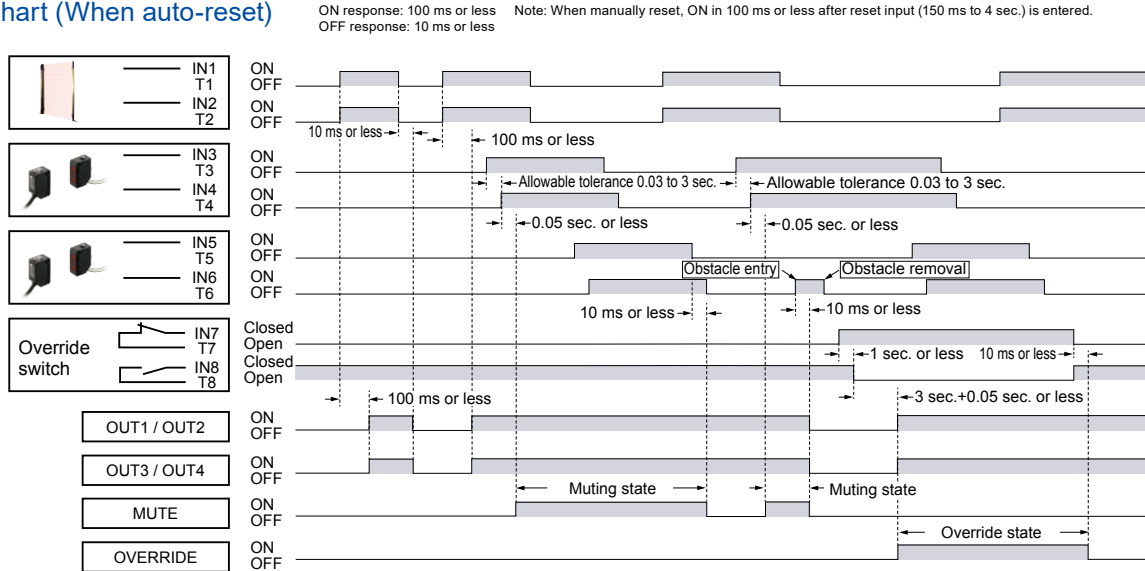


Logic No.3 Sequential muting control

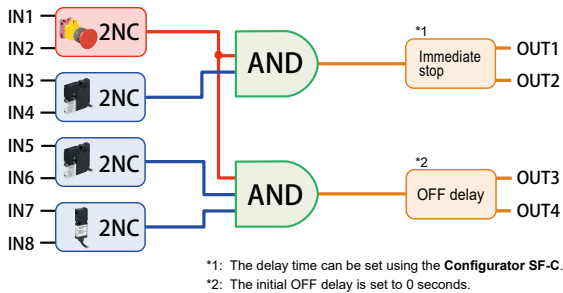


	I/O		Details
	Function		
Safety input	IN 1 / IN 2	PNP semiconductor input × 2 (equivalence)	
	IN 3 / IN 4	Muting input (equivalence)	
	IN 5 / IN 6	Muting input (equivalence)	
	IN 7 / IN 8	Override input	
Control output	OUT1 / OUT2	Interlock	Overall reset (auto / manual)
		OFF delay	N / A
	OUT3 / OUT4	Interlock	Overall reset (auto / manual)
		OFF delay	0 sec. (factory defaults, Max. 60 sec.)
Auxiliary output	AUX1	Negative logic of OUT1 / OUT2	
	AUX2	Negative logic of OUT3 / OUT4	
	AUX3	Reset trigger	
	AUX4	Lockout	

Time chart (When auto-reset)

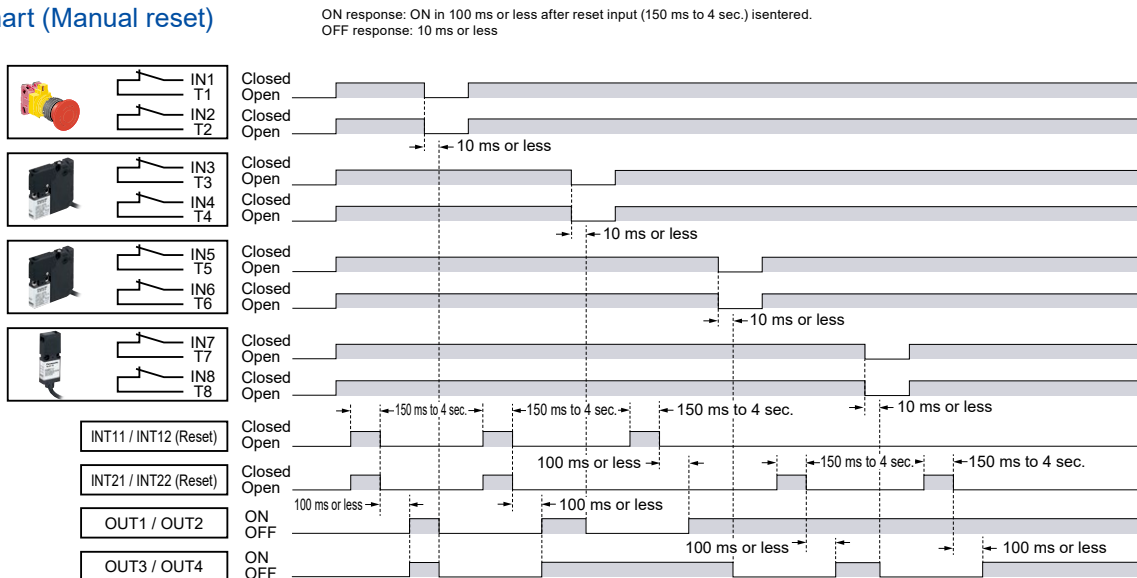


Logic No.4 Partial stop control 1



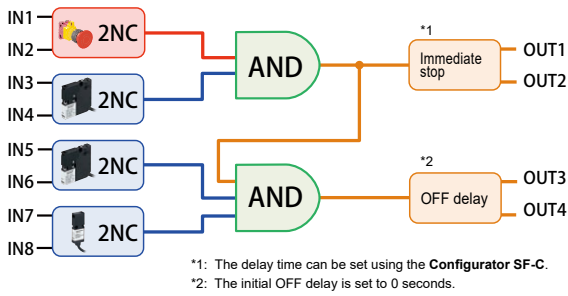
	I/O		Details
	Function		
Safety input	IN 1 / IN 2	2NC contact input	
	IN 3 / IN 4	2NC contact input	
	IN 5 / IN 6	2NC contact input	
	IN 7 / IN 8	2NC contact input	
Control output	OUT1 / OUT2	Interlock	Partial reset (manual)
		OFF delay	N / A
	OUT3 / OUT4	Interlock	Partial reset (manual)
		OFF delay	0 sec. (factory defaults, Max. 60 sec.)
Auxiliary output	AUX1	Negative logic of OUT1 / OUT2	
	AUX2	Negative logic of OUT3 / OUT4	
	AUX3	Reset trigger	
	AUX4	Lockout	

Time chart (Manual reset)



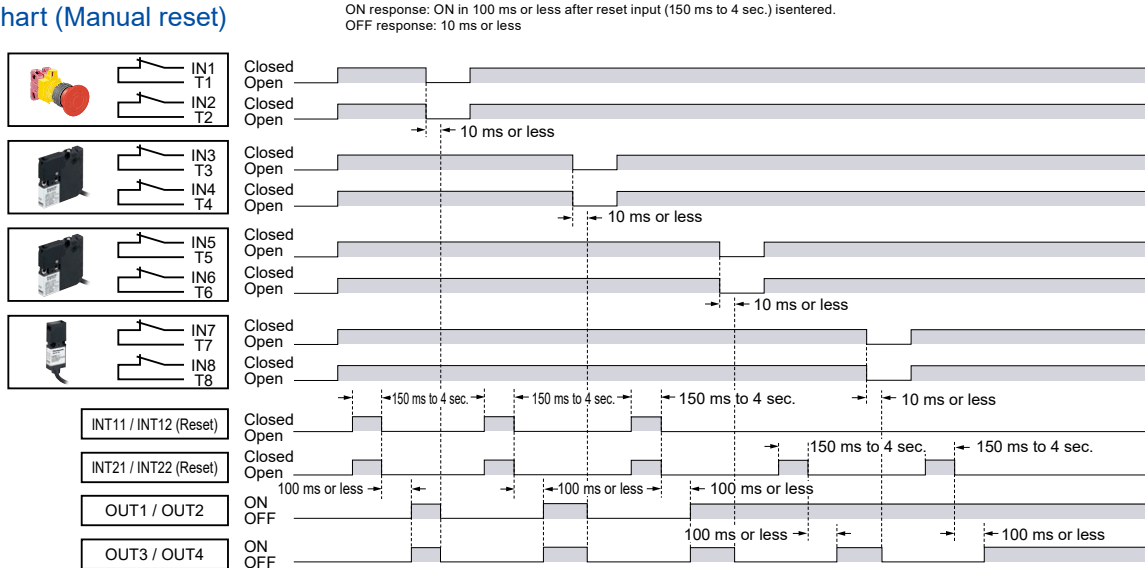
PRESET LOGICS SPECIFICATIONS

Logic No.5 Partial stop control 2

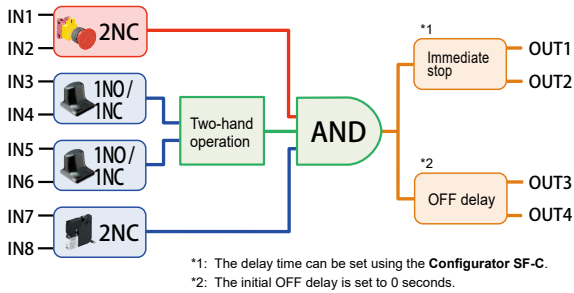


	I/O		Details
		Function	
Safety input	IN 1 / IN 2		2NC contact input
	IN 3 / IN 4		2NC contact input
	IN 5 / IN 6		2NC contact input
	IN 7 / IN 8		2NC contact input
Control output	OUT1 / OUT2	Interlock	Partial reset (manual)
		OFF delay	N / A
	OUT3 / OUT4	Interlock	Partial reset (manual)
		OFF delay	0 sec. (factory defaults, Max. 60 sec.)
Auxiliary output	AUX1		Negative logic of OUT1 / OUT2
	AUX2		Negative logic of OUT3 / OUT4
	AUX3		Reset trigger
	AUX4		Lockout

Time chart (Manual reset)

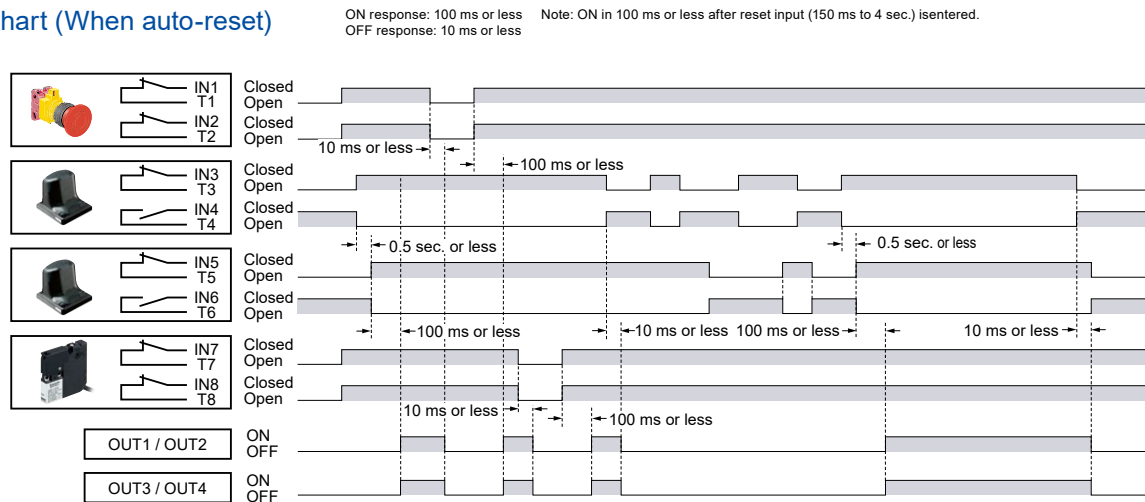


Logic No.6 Two-hand control

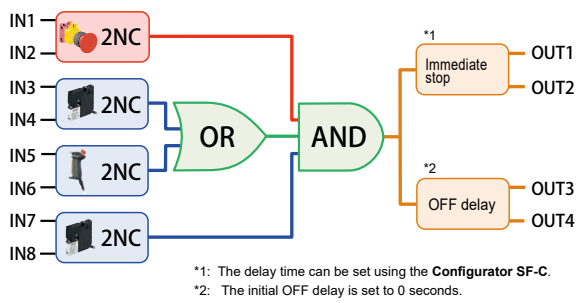


	I/O		Details
		Function	
Safety input	IN 1 / IN 2		2NC contact input
	IN 3 / IN 4		1NO / 1NC contact input
	IN 5 / IN 6		1NO / 1NC contact input
	IN 7 / IN 8		2NC contact input
Control output	OUT1 / OUT2	Interlock	Overall reset (auto / manual)
		OFF delay	N / A
	OUT3 / OUT4	Interlock	Overall reset (auto / manual)
		OFF delay	0 sec. (factory defaults, Max. 60 sec.)
Auxiliary output	AUX1		Negative logic of OUT1 / OUT2
	AUX2		Negative logic of OUT3 / OUT4
	AUX3		Reset trigger
	AUX4		Lockout

Time chart (When auto-reset)



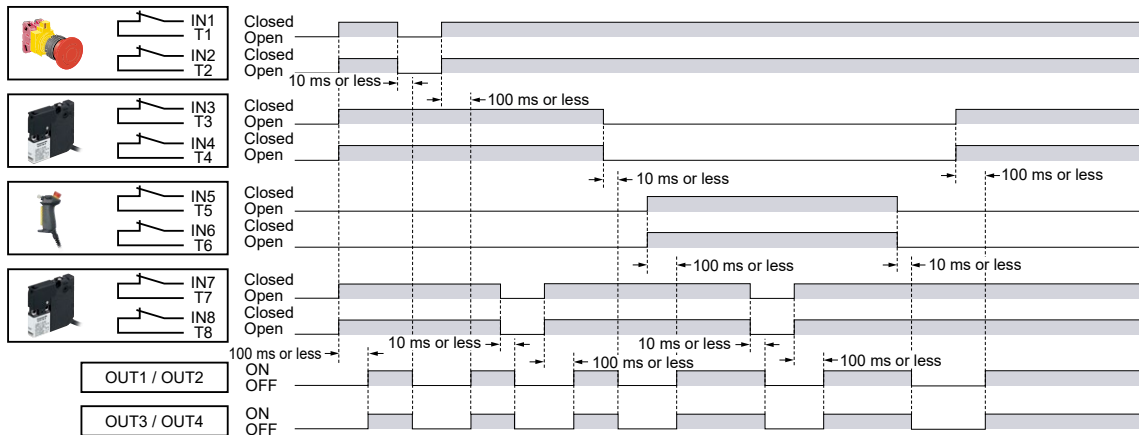
Logic No.7 OR control



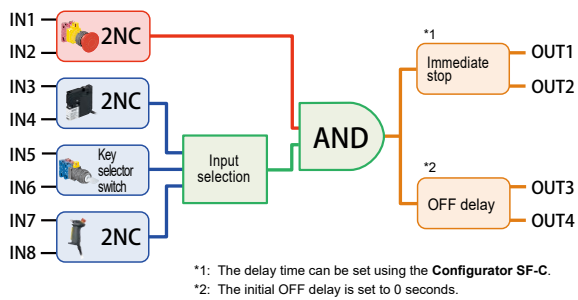
	I/O		Details
		Function	
Safety input	IN 1 / IN 2	2NC contact input	
	IN 3 / IN 4	2NC contact input	
	IN 5 / IN 6	2NC contact input	
	IN 7 / IN 8	2NC contact input	
Control output	OUT1 / OUT2	Interlock	Overall reset (auto / manual)
		OFF delay	N / A
	OUT3 / OUT4	Interlock	Overall reset (auto / manual)
		OFF delay	0 sec. (factory defaults, Max. 60 sec.)
Auxiliary output	AUX1	Negative logic of OUT1 / OUT2	
	AUX2	Negative logic of OUT3 / OUT4	
	AUX3	Reset trigger	
	AUX4	Lockout	

Time chart (When auto-reset)

ON response: 100 ms or less
 OFF response: 10 ms or less
 Note: ON in 100 ms or less after reset input (150 ms to 4 sec.) is inserted.



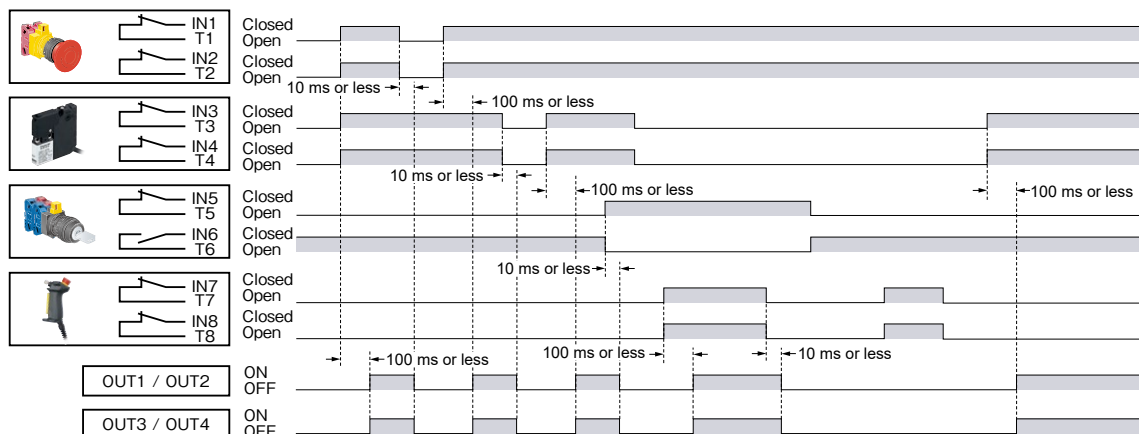
Logic No.8 Operation mode selection control



	I/O		Details
		Function	
Safety input	IN 1 / IN 2	2NC contact input	
	IN 3 / IN 4	2NC contact input	
	IN 5 / IN 6	Key selector input	
	IN 7 / IN 8	2NC contact input	
Control output	OUT1 / OUT2	Interlock	Overall reset (auto / manual)
		OFF delay	N / A
	OUT3 / OUT4	Interlock	Overall reset (auto / manual)
		OFF delay	0 sec. (factory defaults, Max. 60 sec.)
Auxiliary output	AUX1	Negative logic of OUT1 / OUT2	
	AUX2	Negative logic of OUT3 / OUT4	
	AUX3	Reset trigger	
	AUX4	Lockout	

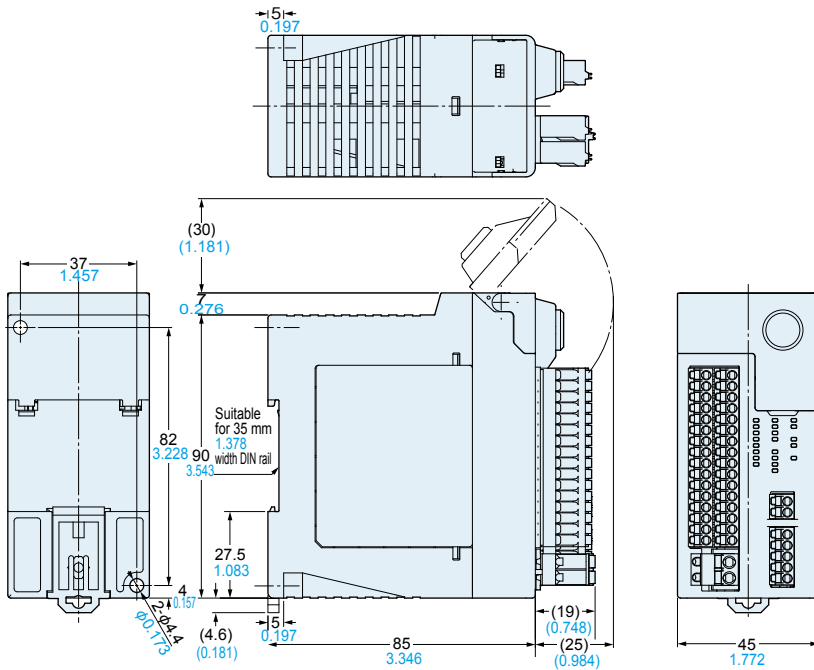
Time chart (When auto-reset)

ON response: 100 ms or less
 OFF response: 10 ms or less
 Note: ON in 100 ms or less after reset input (150 ms to 4 sec.) is inserted.



DIMENSIONS (Unit: mm in)

The CAD data with the dimensions listed can be downloaded from our website.



PRECAUTIONS FOR PROPER USE

Machine designer, installer, employer and operator

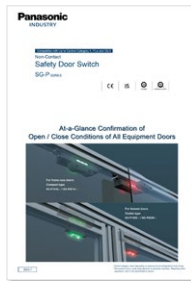


- The machine designer, installer, employer and operator are solely responsible to ensure that all applicable legal requirements relating to the installation and the use in any application are satisfied and all instructions for installation and maintenance contained in the instruction manual are followed.
- Whether this device functions as intended to and systems including this device comply with safety regulations depends on the appropriateness of the application, installation, maintenance and operation. The machine designer, installer, employer and operator are solely responsible for these items.



For the safety of the overall system and the conformity to the standards applicable in each region or country in which this device is installed, take actions on the customer's own responsibility.

Safety Light Curtains / Safety Components Lineup



Safety Door Switch
SG-P series



Safety Light Curtain
SF4D series



Safety Relay
SF Relay Slim Type

Disclaimer

The applications described in the catalog are all intended for examples only. The purchase of our products described in the catalog shall not be regarded as granting of a license to use our products in the described applications. We do NOT warrant that we have obtained some intellectual properties, such as patent rights, with respect to such applications, or that the described applications may not infringe any intellectual property rights, such as patent rights, of a third party.

Panasonic
INDUSTRY

Panasonic Industry Co., Ltd.

Industrial Device Business Division
7-1-1, Morofuku, Daito-shi, Osaka 574-0044, Japan
industrial.panasonic.com/ac/e/