

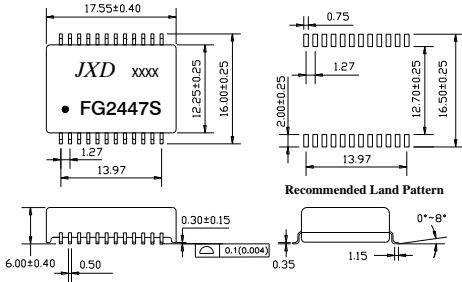
FG2447S

5G POE+ Single Port Transformer Module

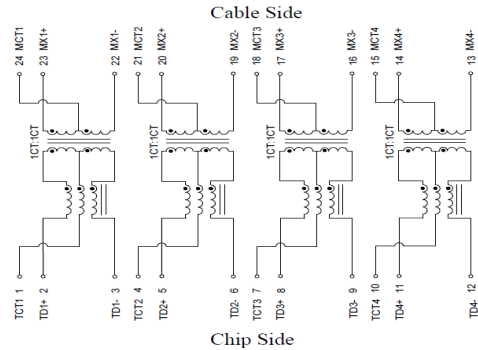
1. Designed for long haul 5G POE+ Single Port Transformer Module
2. Supports four pairs of category 5 UTP cable,Cable interface for isolation and low common mode emissions.
3. Low profile Surface Mount Packaging designed for Hi-Temp Reflow Process
4. Compliant with IEEE 802.3bz&at standard for 5G Base-Z,Designed to support 1:1 Turns Ratio Transceivers
5. DC Line Current : 720mA Max @ 57V



DIMENSIONS & SCHEMATICS



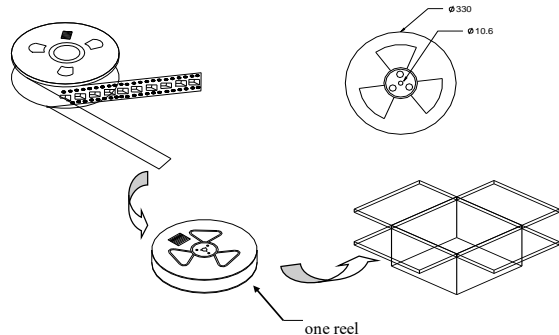
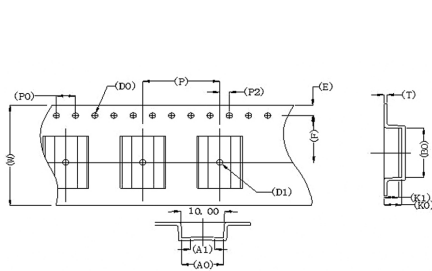
Note:
 1. Dimension: mm
 2. Unless otherwise specified,all tolerances are: ±0.15mm



TECHNICAL SPECIFICATIONS

OCL :	150 μ H Min. @ 100 KHz, 100mV with 8mA DC Bias
Leakage Inductance:	0.5 μ H Max. @ 100KHz, 0.1V
Cw/w:	35 pF Max. @ 100KHz, 0.1V
DCR:	1.20 Ω Max
Turns Ratio(\pm 5%):	1CT:1(TX), 1CT:1(RX)
Polarity:	1-24, 5-20, 7-18, 11-14 In-Phase
Insertion Loss:	-1.0 dB Max. @ 1-100MHz -1.5 dB Max. @ 375MHz
Return Loss:	-18 dB Min. @ 1-40MHz -17 + 10*Log(f/40)dB Min. @ 40-375MHz
Cross Talk:	-40 dB Min.@ 1-100 MHz -30dB Min.@ 100-375 MHz
Common Mode Rejection :	-30dB Min.@1-250MHz -22 dB Min.@ 250-375 MHz
Isolation HI-POT:	1500Vrms 1mA 1Second
Operating Temperature range:	-40 C ~+ 85 C
Storage temperature range:	-40 C ~+ 125 C)

PACKING SPECIFICATION



1. units/reel:400PCS
- 2 reel/carton:5PCS
- 3.units/carton :2000PCS