

## FULLY SEALABLE HEIDI-XP lenses for CREE XP-E LEDs



- Specially designed for Cree XLAMP XP-E series of LEDs.
- Lens material optical grade PMMA with high UV and temperature resistance (105°C/220°F)
- High optical efficiency, up to 90%
- No lens holder. Fastening to heat sink with a PU foam adhesive tape of automotive grade
- Please check fastening details from this link:  
([http://www.ledil.com/datasheets/DataSheet\\_TAPE.pdf](http://www.ledil.com/datasheets/DataSheet_TAPE.pdf))
- Lens foot can be potted with resin without losses in optical efficiency (**fully sealed construction** of luminaire possible)
- Diameter 21.6 mm

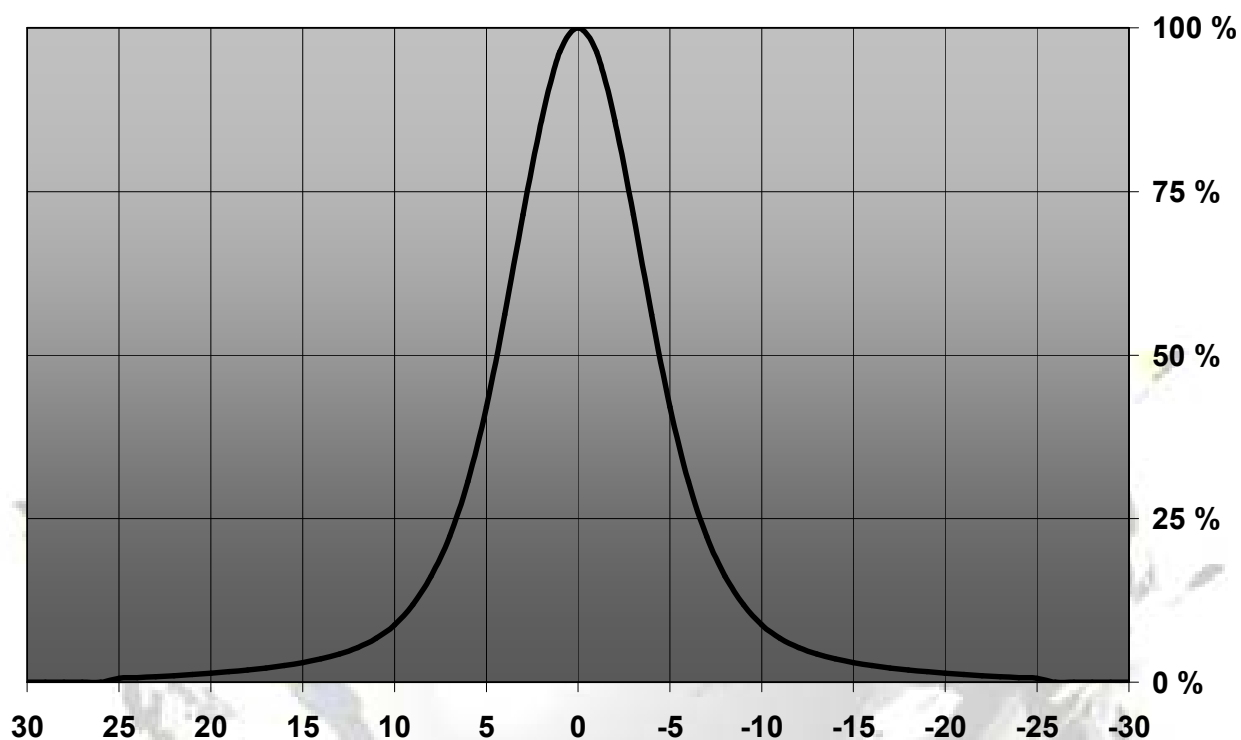
## LENS TYPES

NAME	ORDERING CODE	FWHM Angle
HEIDI diffuser	CA11264_Heidi-D-XP	±4°
HEIDI medium	CA11265_Heidi-M-XP	±14°
HEIDI oval	CA11266_Heidi-O-XP	±25° x ±5°
HEIDI oval turned 90°	CA11267_Heidi-O-90-XP	±25° x ±5°
HEIDI wide	CA11268_Heidi-W-XP	Coming soon

© Ledil Oy – Subject to change without prior notice

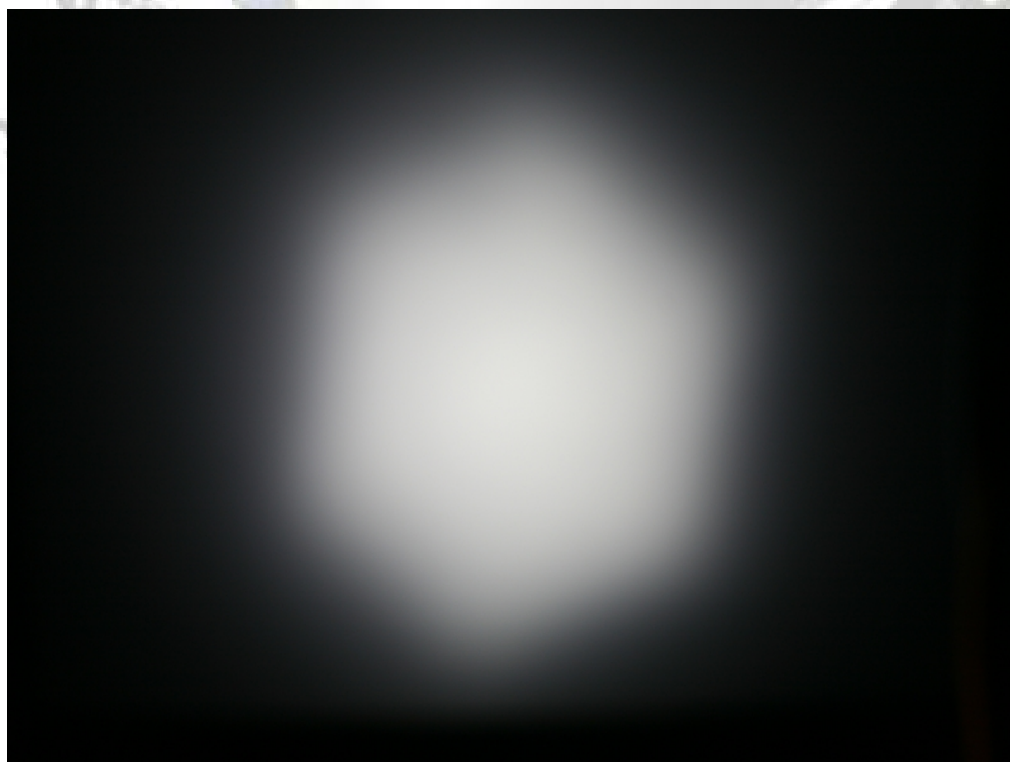
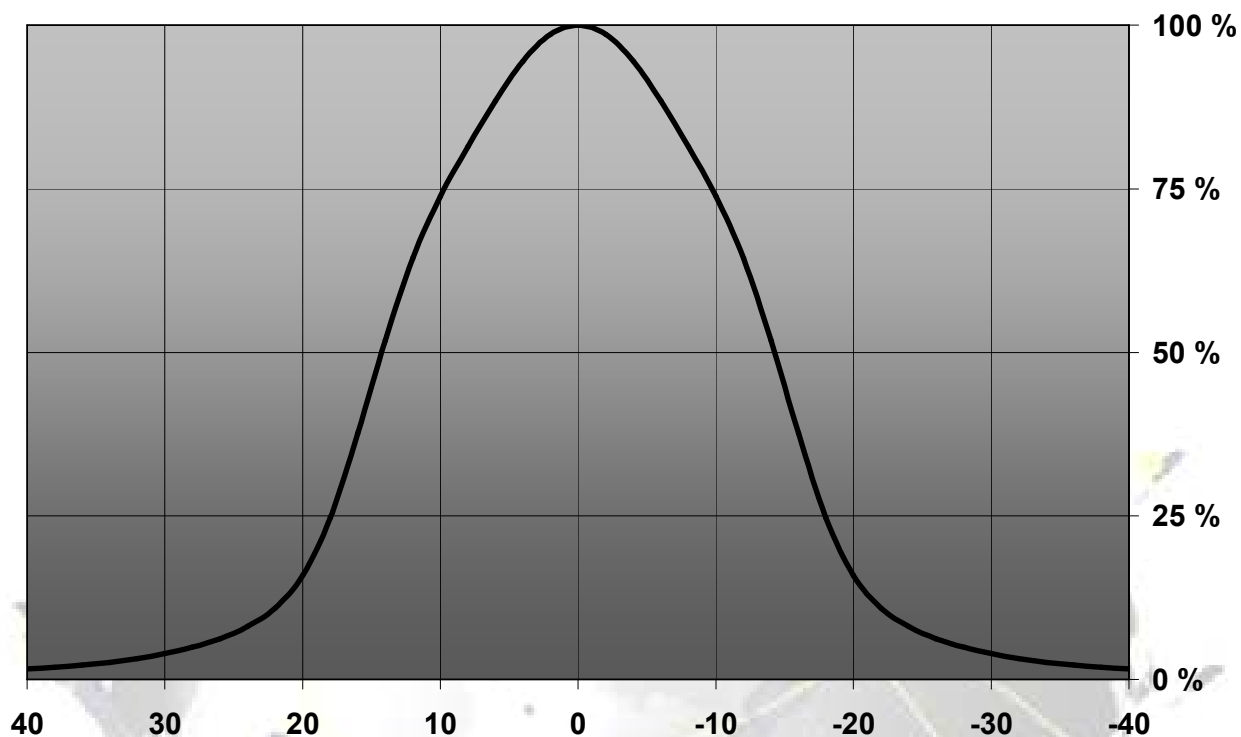
**MEASUREMENTS**

Relative Intensity of CA11264\_Heidi-D-XP



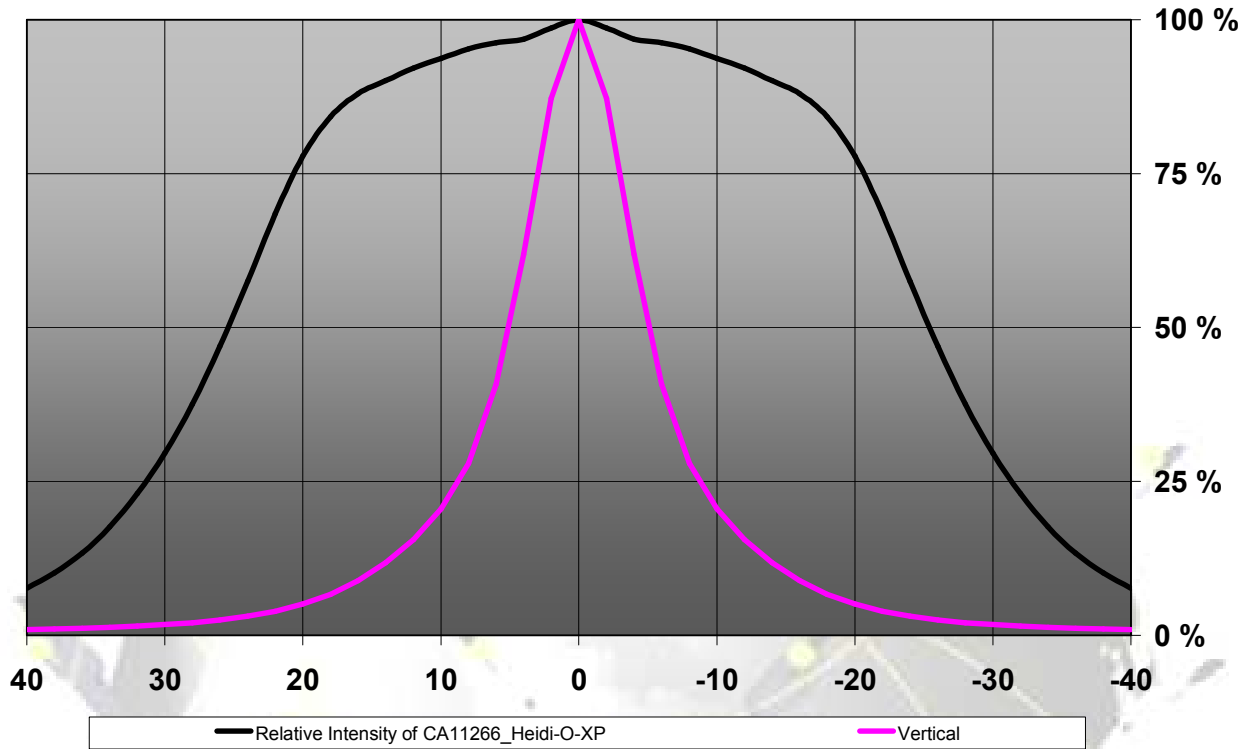
© Ledil Oy – Subject to change without prior notice

Relative Intensity of CA11265\_Heidi-M-XP



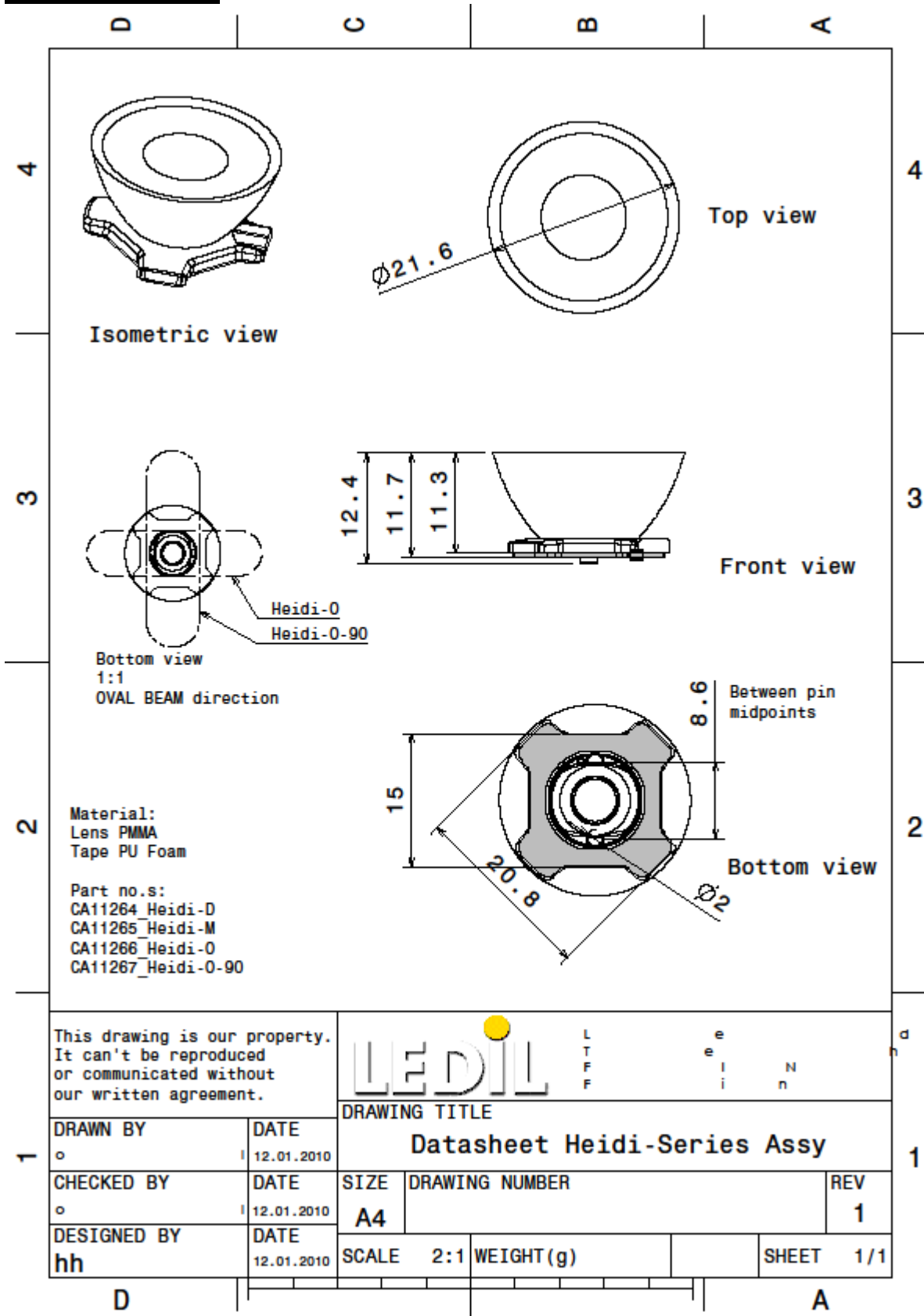
© Ledil Oy – Subject to change without prior notice

Relative Intensity of CA11266\_Heidi-O-XP



© Ledil Oy – Subject to change without prior notice

## DRAWINGS



This drawing is our property.  
 It can't be reproduced  
 or communicated without  
 our written agreement.



L  
T  
F

e  
i  
n

d

DRAWING TITLE

Datasheet Heidi-Series Assy

DRAWN BY o	DATE 12.01.2010
CHECKED BY o	DATE 12.01.2010
DESIGNED BY hh	DATE 12.01.2010

SIZE A4	DRAWING NUMBER	REV 1
SCALE 2:1	WEIGHT (g)	SHEET 1/1