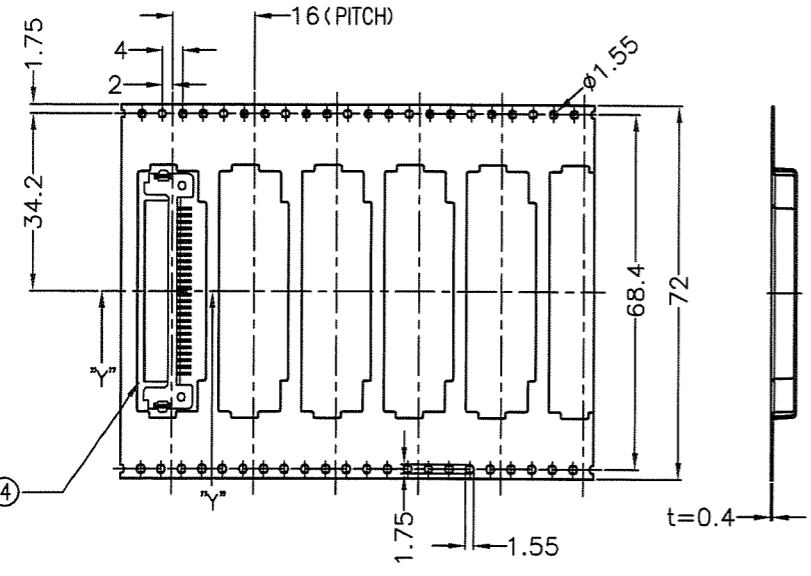
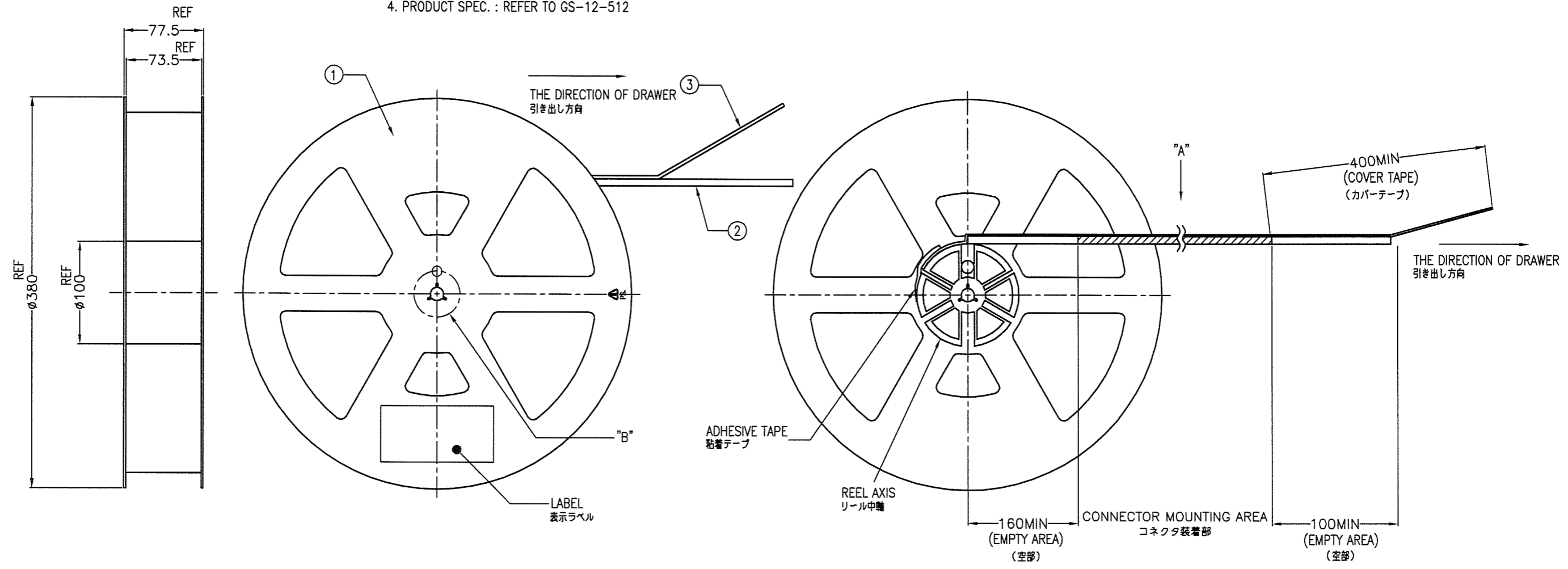


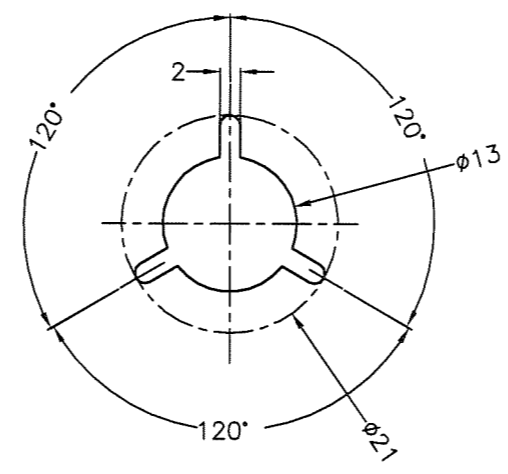
PRODUCT NO.	Connector QTY.	TOOLING AVAILABLE
10079510-001TLF	1,000	YES

NOTE  
 1. THIS ARTICLE CARRIES OUT THE EMBOSS TAPE PACKAGE OF THE SERIAL-IVDR PLUG CONNECTOR.  
 2. THE SHAPE AND DIMENSION OF THIS ARTICLE ARE BASED ON JIS C 0806.  
 (TAPING OF ELECTRIC PARTS < SURFACE MOUNTED DEVICE)  
 3. PACKAGING SPEC. : REFER TO GS-14-1285  
 4. PRODUCT SPEC. : REFER TO GS-12-512

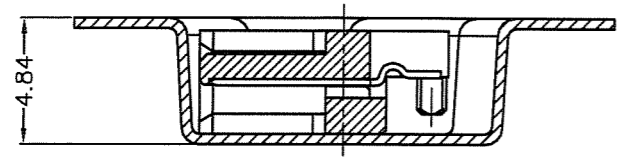
EMBOSS PACKAGE



VIEW A (1:1)



DETAIL B (2:1)



SECTION "Y"- "Y" (5:1)

PARTS TABLE 部品表

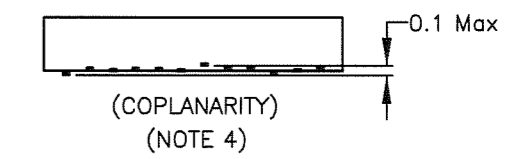
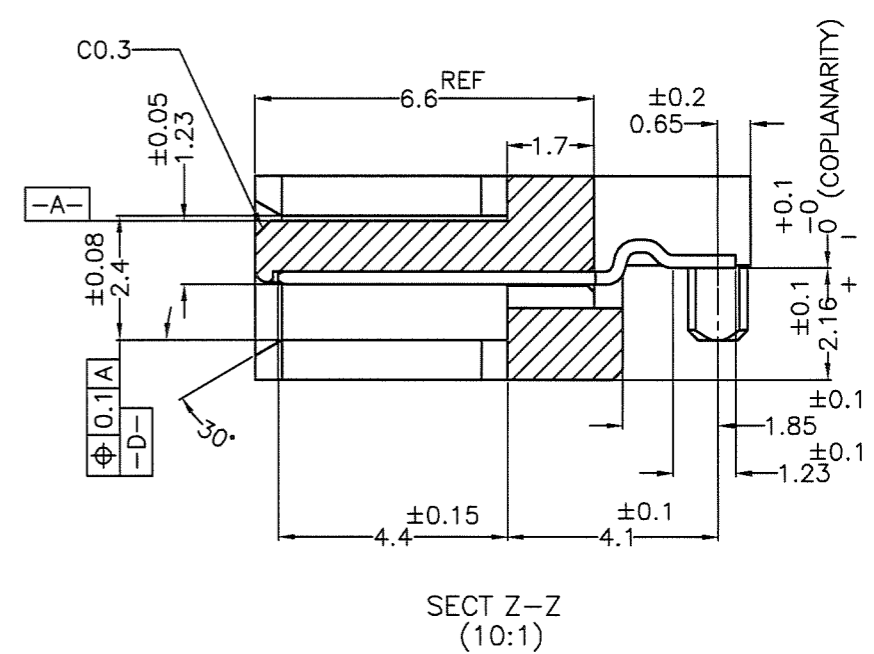
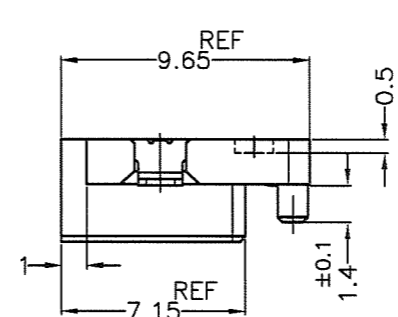
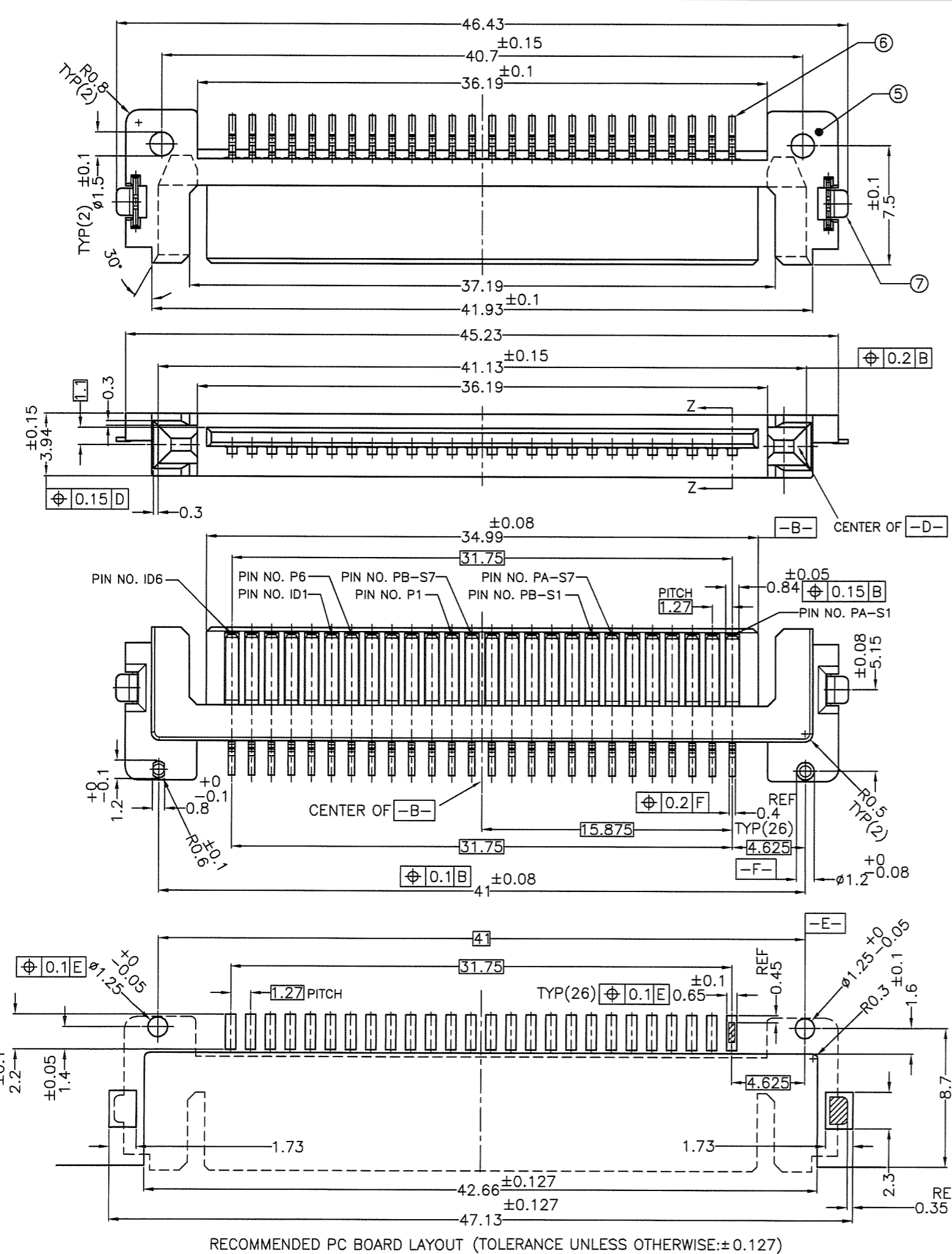
No.	PART NAME 部品名	Material 材質	QTY.	Note 備考
①	THE REEL FOR PACKAGING 梱包用リール	POLYSTYRENE ポリスチレン	1	Color : BLUE, ELECTRIFICATION PREVENTION PROCESSING 色 : 青、帯電防止処理品
②	EMBOSS TAPE エンボステープ	PET	1	ELECTRIFICATION PREVENTION PROCESSING 帯電防止処理品
③	COVER TAPE カバーテープ	POLYESTER ポリエステル	1	---
④	CONNECTOR コネクタ	SEE SHEET 2	1,000	---

mat'l. code	surface	tolerance	projection	product family	CODE
---	ISO 1302	ISO 406	mm	55SF Removable HDD	JP
tr description	ecn no	dr	date	title	
A RELEASED	J08-0183	N.S	2008-5-13	ASSEMBLY	
				S-IVDR COMB PLUG	
				SMT HORIZONTAL TYPE	
				dwg no	sheet 1 of 2 size
				10079510	A2
				type	PRODUCT CUSTOMER Drawing
sheet index	revision	A	A		Rev.
	sheet	1	2		A

# CONNECTOR ASSY

PARTS TABLE 部品表

No.	PART NAME 部品名	QTY.	NOTE 備考
⑤	HOUSING ハウジング	1	HIGH TEMP THERMOPLASTIC COLOR : BLACK , UL94V-0
⑥	CONTACT コンタクト	26	COPPER ALLOY CONTACT AREA : Au SOLDERING AREA : Au
⑦	SOLDER PEG 溶剤金具	2	COPPER ALLOY TIN PLATING



- NOTE
- THIS PRODUCT MEETS THE Serial iVDR SPEC REV.1.0
  - MATERIAL
    - HOUSING : HIGH TEMPERATURE THERMOPLASTIC, BLACK, UL94V-0
    - TERMINAL, SOLDER PEG: COPPER ALLOY
  - FINISH
    - TERMINAL : ALL OVER Ni 1.27μm MIN.  
CONTACT POINT Au PLATING 0.3μm MIN.  
SOLDER TAIL Au Flash
    - SOLDER PEG: ALL OVER Ni 1.27μm MIN.  
PURE-Sn 1.27μm MIN.
  - COPLANARITY : 0.1 MAX.

2	26	1	10079510-001LF
⑦ SOLDER PEG QTY	⑥ CONTACT QTY	⑤ HOUSING QTY	PRODUCT NO.

mat'l. code		surface	tolerance	projection	product family	CODE
---		iso 1302	iso 406	mm	55SF Removable HDD	JP
ltr		ecn no	dr	date	title	
A	RELEASED	J08-0183	N.S	2008-5-13	ASSEMBLY	
		angles	linear	0.X ±0.3	S-iVDR COMB PLUG	
		±2'	0.XX ±0.3	0.XXX ±0.3	SMT HORIZONTAL TYPE	
		dr	N.SASAME	2008-5-13	dwg no	
		enr	N.SASAME	2008-5-13	sheet 2 of 2 size	
		chr	N.SASAME	2008-5-13	10079510	
		appd	N.SASAME	2008-5-13	type	
sheet index		revision sheet			PRODUCT CUSTOMER Drawing	Rev. A