

Ordering Information:

A2541HWV-3xXP - **** - * - ***
 1 2 3 4

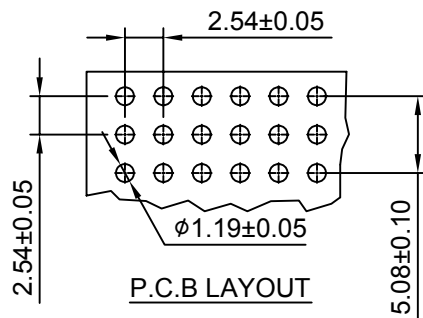
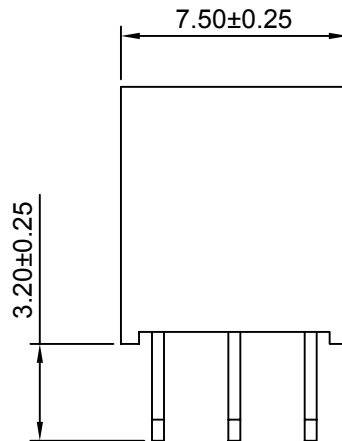
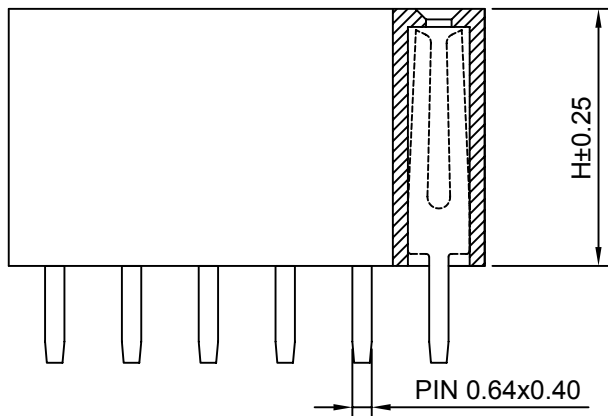
- Part No.
- Size(H):
 (blank): 8.50mm
 H71: 7.10mm
- Finish:
 (blank): Gold over Nickel
 T: Tin over Nickel
- Material:
 (blank): PBT,UL94V-0
 6T: Nylon 6T,UL94V-0
 GWT: Nylon 6T,UL94V-0,GWT 750°C

SPECIFICATIONS:

Current Rating: 3A AC,DC
 Voltage Rating: 250V AC,DC
 Temperature Range: -40°C ~ +105°C
 Contact Resistance: 20mΩ Max
 Insulation Resistance: 1000MΩ Min
 Withstanding Voltage: 1500V AC/minute
 Pin Material: Brass/Gold over Nickel
 Material: PBT,UL94V-0(Black)

Ordering Information & Dimensions

Circuits	Dim(mm)		Circuits	Dim(mm)		Circuits	Dim(mm)	
	A	B		A	B		A	B
3x2P	2.54	5.58	3x15P	35.56	38.60	3x28P	68.58	71.62
3x3P	5.08	8.12	3x16P	38.10	41.14	3x29P	71.12	74.16
3x4P	7.62	10.66	3x17P	40.64	43.68	3x30P	73.66	76.70
3x5P	10.16	13.20	3x18P	43.18	46.22	3x31P	76.20	79.24
3x6P	12.70	15.74	3x19P	45.72	48.76	3x32P	78.74	81.78
3x7P	15.24	18.28	3x20P	48.26	51.30	3x33P	81.28	84.32
3x8P	17.78	20.82	3x21P	50.80	53.84	3x34P	83.82	86.86
3x9P	20.32	23.36	3x22P	53.34	56.38	3x35P	86.36	89.40
3x10P	22.86	25.90	3x23P	55.88	58.92	3x36P	88.90	91.94
3x11P	25.40	28.44	3x24P	58.42	61.46	3x37P	91.44	94.48
3x12P	27.94	30.98	3x25P	60.96	64.00	3x38P	93.98	97.02
3x13P	30.48	33.52	3x26P	63.50	66.54	3x39P	96.52	99.56
3x14P	33.02	36.06	3x27P	66.04	69.08	3x40P	99.06	102.20



CHANGJIANG CONNECTORS CO.,LTD.

Unit	Scale	Sheet
mm	4:1	1 of 1
Draw BY:		Approved :
Tony Su		Jack Yin

Title :
**2.54mm PITCH
 180° TRIPLE ROW
 BOX HEADER**

General Tolerance		
A1	updated version	2018.04.09
A0	NEW RELEASE	2005.05.10
REV	DESCRIPTION	DATE

General Tolerance:
 x.xx≤0.25
 x.xx≤0.20
 x.xxx≤0.15

ANGLE±

DRAW NO : **A2541HWV-3xXP** REV A1