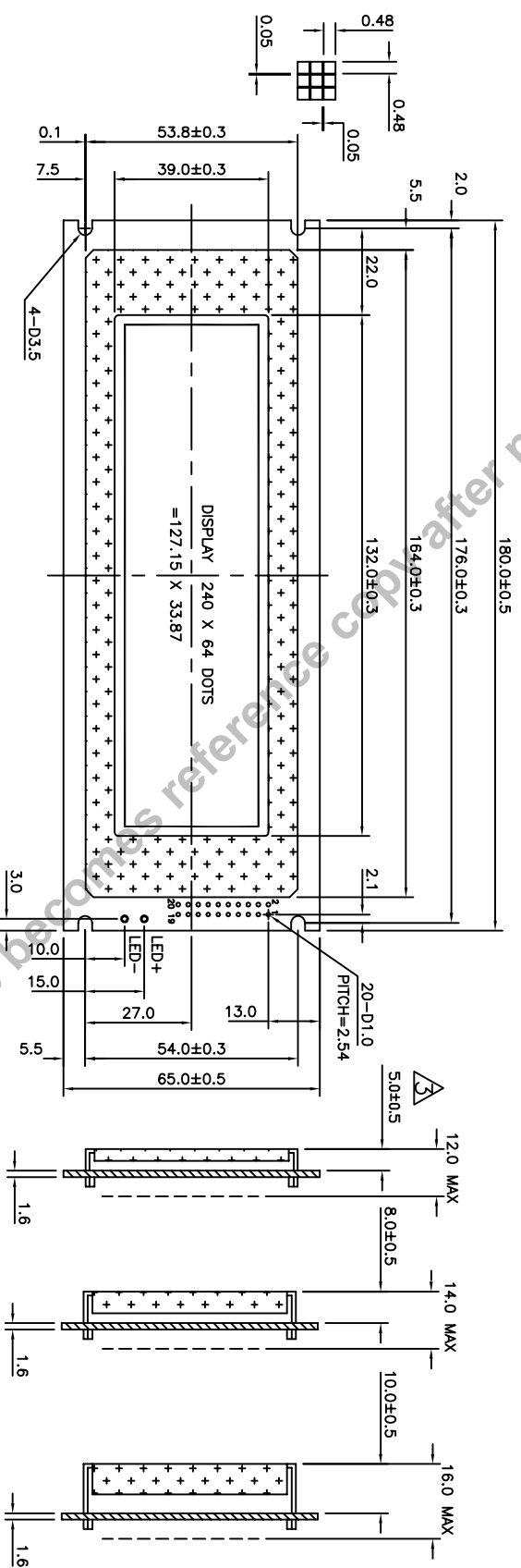


ISSUE	AMENDMENT	DATE
1	ADD 32K RAM	99.10.14
2	UPDATE DRAWING	02.05.24
3	MODIFY DIMENSION ADD NOTES	02.12.16



1	2	3	4	5	6	7	8	9	10	11	12	13	14	15	16	17	18	19	20
FG	VSS	VDD	VO	/WR	/RD	/CE	C/D	NC	/RST	DB0	DB1	DB2	DB3	DB4	DB5	DB6	DB7	FS	NC

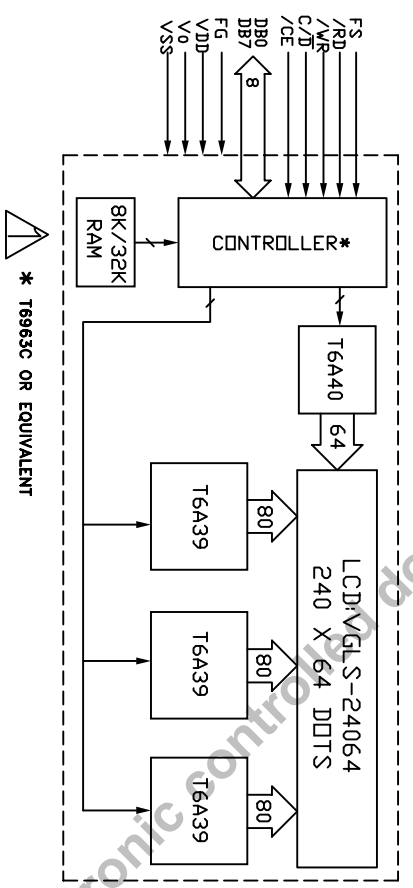
NOTES:

△ SPECIAL CHARACTERISTIC

+ SAFETY CHARACTERISTIC

○ REFERENCE ONLY

▽ CRITICAL DIMENSION



* T6963C OR EQUIVALENT

TITLE: SPECIFICATION OF MODULE

PROJECT NO: MGL(S)-24064

TOLERANCE UNLESS OTHERWISE SPECIFIED:
X.X ±0.3
X.XX ±0.1

DIMENSIONS IN MM

MATERIAL: FINISH: THICKNESS:

SCALE: DO NOT ON SCALE

THIRD ANGLE PROJECTION

DRAWN NAME LUO XIAN GANG SIZE DATE 02.12.16

CHECKED HE JIAN WEN

APPROVED DERRICK TAM

ITEM NO. MGLS24064-XX

DESCRIPTION: MGLS24064

FILE NO: MGLS24064-XX R3.DWG/REV 3

VB VARRITRONIX LIMITED

Mouser Electronics

Authorized Distributor

Click to View Pricing, Inventory, Delivery & Lifecycle Information:

[Varitronix:](#)

[MGLS-24064-G-HV-LED4G](#) [MGLS-24064-FSTN-LED4G](#) [MGLS-24064-FSTN-CCFL](#) [MGLS-24064-HV-G-LED04G](#)