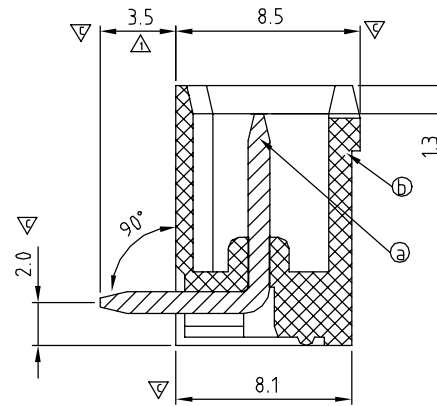
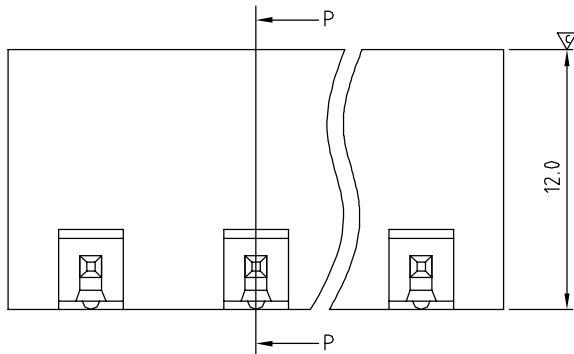


DIMENSION Δ

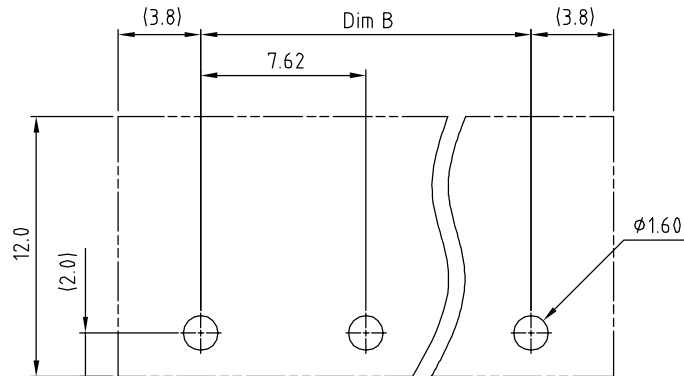
Dim A	NX7.62
Dim B	(N-1)X7.62
Dim C	(N-1)X7.62

N= Number of poles

Poles	Tolerance
2P-6P	± 0.20
7P-12P	± 0.30
13P-16P	± 0.40



SECTION P-P



RECOMMENDED PCB LAYOUT

SIGN	DATE	DESCRIPTION	APPROVER
Δ	1/26'07	Dimension changed from 4.0 to 3.5	Tony
Δ	1/26'07	Soldering temperature changed from 245° to 250°	Tony
Δ	4/08'09	Added TUV standard	Jacke
Δ	4/08'09	Add the tolerance table	Jacke
Δ	2009.10.21	The material is changed from Brass to Copper	Jacke
Δ	2010.12.08	The design is changed	Chen Bo
Δ	2011.08.09	The Dim C & dimension 7.62 are added	Aaron

THIS IS CAD DRAWING, DO NOT REVISE MANUALLY!!!

Material:

- Δ ● Item \textcircled{a} Male contact pin : Copper Tin plated
- Item \textcircled{b} Terminal (housing): Thermoplastic (UL94V-0)

Electrical: cULus TUV

- Voltage rating: 300V 750V
- Current rating: 20A 15A
- Withstanding Voltage: 1.6 KV 6KV
- Operating temperature: -40°C to +115°C
- Δ ● Soldering temperature: 250°C \pm 10°C/5 Sec
- Δ ● Safety Approval: cULus TUV
- Critical dimension: ∇

OQ xx 0 1 x 1 xxxx G

No. OF POLES
02: 2 POLES
:
16: 16 POLES

COLOR

- 0 Black (RAL9005)
- 2 Red (RAL3001/D)
- 3 Orange (RAL2011/P)
- 4 Yellow (RAL1018/A)
- 5 Green (RAL6018/T)
- 6 Blue (RAL5015/A)
- 8 Grey (RAL7035/D)
- 9 White (RAL1102)
- C Green (RAL6018/U)

G: Pb<40000ppm

0000: "@" Logo (Standard)
000A: "ANYTEK" Mark
Any special item by customer request, please contact sales department.

ANYTEK

CUSTOMER COPY

ALL RIGHTS RESERVED. REPRODUCTION OR ISSUE TO THIRD PARTIES IN ANY FORM WHATSOEVER IS NOT PERMITTED WITHOUT WRITTEN AUTHORITY FROM THE PROPRIETOR. PROPERTY OF ANYTEK TECHNOLOGY CO., LTD

TITLE		OQ 7.62mm 90° /Close Series 2p-16p			
PART NO.		OQxx01x1xxxxG		DWG NO. 80Q0301	
APPROVED	CHECKED	DESIGNED	DRAWN	CUST NO.	
	Shi Jun 2011.08.10	Aaron 2011.08.09	Chen Bo 2010.12.08		
				Tolerance	
				X. ± 0.50	
				X.X ± 0.30	
				X.XX ± 0.10	
				X° $\pm 1^\circ$	
				UNIT: mm	
				SCALE: NONE	
				SHEET: 01/01	
				REV.: H	

Mouser Electronics

Authorized Distributor

Click to View Pricing, Inventory, Delivery & Lifecycle Information:

Amphenol:

[OQ0201510000G](#) [OQ0301510000G](#) [OQ0401510000G](#) [OQ0501510000G](#) [OQ0601510000G](#) [OQ0701510000G](#)
[OQ0801510000G](#) [OQ0901510000G](#) [OQ1001510000G](#) [OQ1101510000G](#) [OQ1201510000G](#) [OQ1301510000G](#)
[OQ1401510000G](#) [OQ1501510000G](#) [OQ1601510000G](#) [OQ1301010000G](#) [OQ1101810000G](#) [OQ1201010000G](#)
[OQ1401810000G](#) [OQ1601010000G](#) [OQ1601810000G](#) [OQ1501010000G](#) [OQ0501810000G](#) [OQ0801010000G](#)
[OQ0801810000G](#) [OQ0601010000G](#) [OQ0501010000G](#) [OQ0701010000G](#) [OQ0601810000G](#) [OQ0701810000G](#)
[OQ0901010000G](#) [OQ0901810000G](#) [OQ1001810000G](#) [OQ1001010000G](#) [OQ1101010000G](#) [OQ1301810000G](#)
[OQ1501810000G](#) [OQ1201810000G](#) [OQ1401010000G](#) [OQ0201810000G](#) [OQ0401810000G](#) [OQ0301810000G](#)
[OQ0201010000G](#) [OQ0301010000G](#) [OQ0401010000G](#)