

LC SIMPLEX APC SINGLEMODE OPTICAL PLUG  
 FOR Ø2.0 MM CABLE

 Packaging  
 100

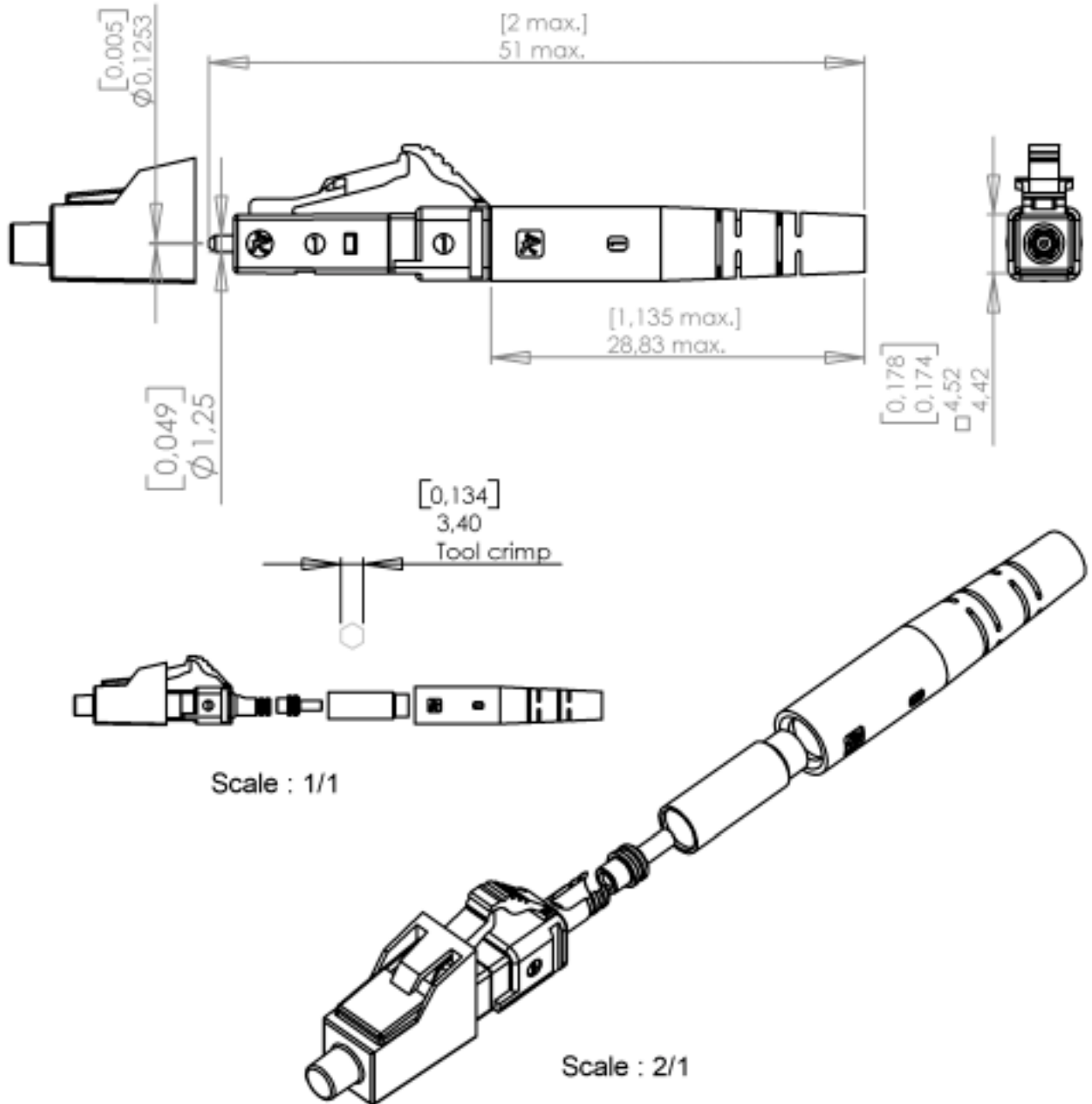
 Series  
 LC

 Issue  
 30 JAN 06

 Page  
 1 / 2

Outer plug body : color GREEN

Monobloc



Original dimensions in mm [inch]

LC SIMPLEX APC SINGLEMODE OPTICAL PLUG  
FOR Ø2.0 MM CABLE

Packaging  
100

Series  
LC

Issue  
30 JAN 06

Page  
2 / 2

Outer plug body : color GREEN

Monobloc

**GENERAL**

- ❑ **TYPE** IEC 61754-20 (LC )  
Singlemode Zirconia ferrule  
RJ -45 latching connector system
- ❑ **FERRULE SIZE** 125,3 µm
- ❑ **FIBER SIZE** 9/125µm singlemode
- ❑ **CABLE SIZE & TYPE** Ø 2 mm Simplex
- ❑ **CABLING PROCEDURE** Refer to 503.08.500 assembly instruction manual

**CHARACTERISTICS (Depending on fibre or cable construction)**

- ❑ **OPTICAL** Attenuation at 1300 nm and 1550 nm  
Attenuation plug mated with reference plug : IEC 61300-3-4 Method B

PARAMETER	STD
Mean	≤0.15 dB
Standard deviation	≤0.10 dB

Attenuation of random mated connectors : IEC 61300-3-34

PARAMETER	STD
Mean	≤0.15 dB
Standard deviation	≤ 0.07 dB

Return-Loss Maximum loss variation : IEC 61300-3-6

	RL
APC	> 60

- ❑ **MECHANICAL**
  - Vibration test 10 to 55 Hz , 1,5 mm (peak to peak) , 2 Hr/axis
  - Impact test 1,5 m drop , 8 cycles
  - Mechanical Endurance 200 matings
  - Cable retention 68 N
- ❑ **ENVIRONMENTAL**
  - Storage temperature range -40 °C to +85 °C
  - Operating temperature range -40 °C to +70 °C
  - Thermal cycle test -40°C to +75°C , 21 Cycles , 168
  - Humidity/Condensation cycling test 95% RH , -10°C to +65°C, 14 cycles , 168 Hr

*(Performance and specification : see document GEN – F727 001)*

# Mouser Electronics

Authorized Distributor

Click to View Pricing, Inventory, Delivery & Lifecycle Information:

Radial:

[F727150500](#)