

TECHNICAL DATA SHEET

The LED195 beacon has been designed for general signalling applications where low maintenance & long life are the pre-requisite requirement.

It incorporates 36 off SMT LED's that fit into a compact enclosure. The beacon offers flash rates of 60 or 120 FPM. The design allows for a third wire connection to switch from a preset static mode to flashing.

Code No:	Voltage:	Light Source:	Current:
LED195-01WH-SB	8-20v Ac/Dc ~	36 SMT LEDs	240mA @12vDc
LED195-01WH	8-20v Ac/Dc ~	36 SMT LEDs	240mA
LED195-02WH-SB	20-30v Ac/Dc ~	36 SMT LEDs	120mA @24vDc
LED195-02WH	20-30v Ac/Dc ~	36 SMT LEDs	120mA
LED195-03WH-SB	35-85v Ac/Dc ~	36 SMT LEDs	76mA @48vDc
LED195-03WH	35-85v Ac/Dc ~	36 SMT LEDs	76mA
LED195-05WH-SB	40-380v Dc --- 85-280v Ac ~	36 SMT LEDs	35mA @230vAc
LED195-05WH	40-380v Dc --- 85-280v Ac ~	36 SMT LEDs	35mA

WH = White Deep Base. WH-SB = White Shallow Base.

For Lens colours add: 01 Amber, 02 Red, 03 Blue, 04 Green and 05 Clear

Key Features Include:

- Terminal block accepts up to 2.5mm² (14-22 AWG) stranded core with 4mm cut back
- Suitable for conduit box or wall mounting
- 120° prime light output above the vertical axis
- Ingress Protection: Weatherproof to IP65
- Flash Rate: 60 & 120 Flashes / minute (Nominal)
- Operating Temperature Range: -25 + 55°c
- Enclosure Materials: UV Stable Polycarbonate Lens
UV Stable ABS Bases
- AC Supply: 50/60 Hz



INSTALLATION & TECHNICAL INFORMATION

PLEASE READ PRIOR TO INSTALLATION



LED195 Series - (LED Array) VISUAL SIGNALLING DEVICES

APPROVED AND
CONFORMITIES



INSTALLATION DATA SHEET

Carefully pull the lens from the back box.

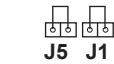
Remove the appropriate fixing hole and conduit knockouts from the back box, noting:

LED195 shallow base version: allows for 2 x 5mm side entry or 1 x M20 rear entry knockout.

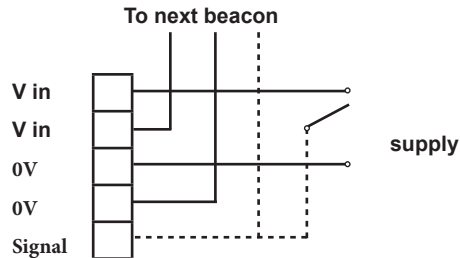
LED195 deep base version: allows for 2 x M20 side entry or 1 x M20 rear entry knockout.

Use the appropriate sealing gasket and fit onto the required surface using 4mm fasteners (not supplied). Pull sufficient power cable into the back box enclosure and connect to the terminal block PCB mounted in the lens. 2 jumper links are situated on the PCB, this allows the user to adjust the operation of the unit. J1 – IN 120FPM, OUT 60FPM, J5 – IN Flash Mode, OUT Static Mode. When Static mode is set, connecting the Input voltage to the Signal terminal enables Flash mode.

Pcb Links



Connection detail (Refer to text)



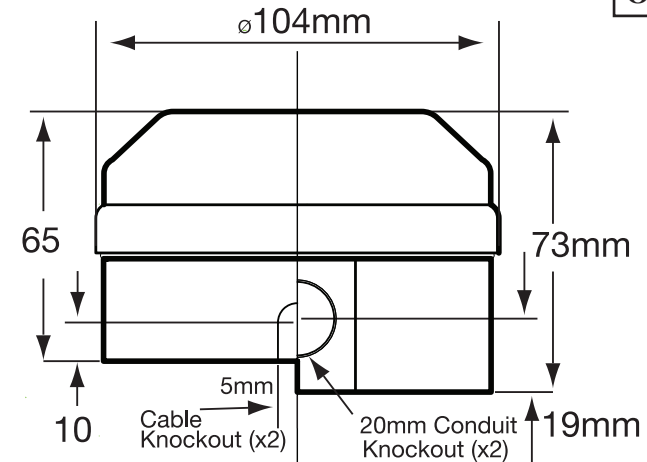
Carefully replace the lens over the back box noting the following - Ensure 'O' ring is in position on base, power cables do not foul PCB components and lens fixing screws (where supplied) are aligned with base fixing holes. Screw in to secure lens.

General

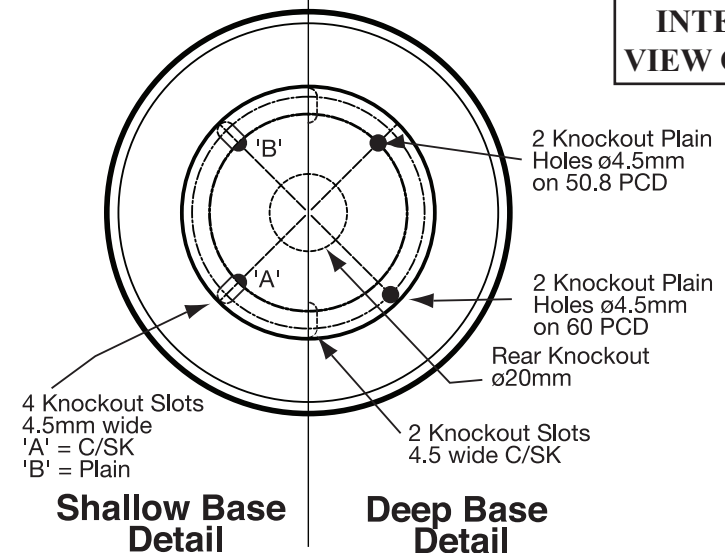
- Installation must be carried out in accordance with the latest codes of practice and regulations by a qualified engineer.
- Ensure power source is disconnected prior to installation or maintenance to avoid danger of electrical shock.
- Do not handle internal electrical components whilst wiring up.
- Environmental exposure conditions during installation should be dry not moist or wet conditions should be avoided.
- The lens material of the beacon is VO rated UV stable polycarbonate plastic. Do not clean with petroleum based cleaners.
- Avoid mounting the beacon where it will be subject to excessive vibration.

VISUAL SIGNALLING DEVICE

SIDE VIEW OF BEACON



INTERNAL VIEW OF BASE



Shallow Base
Detail

Deep Base
Detail