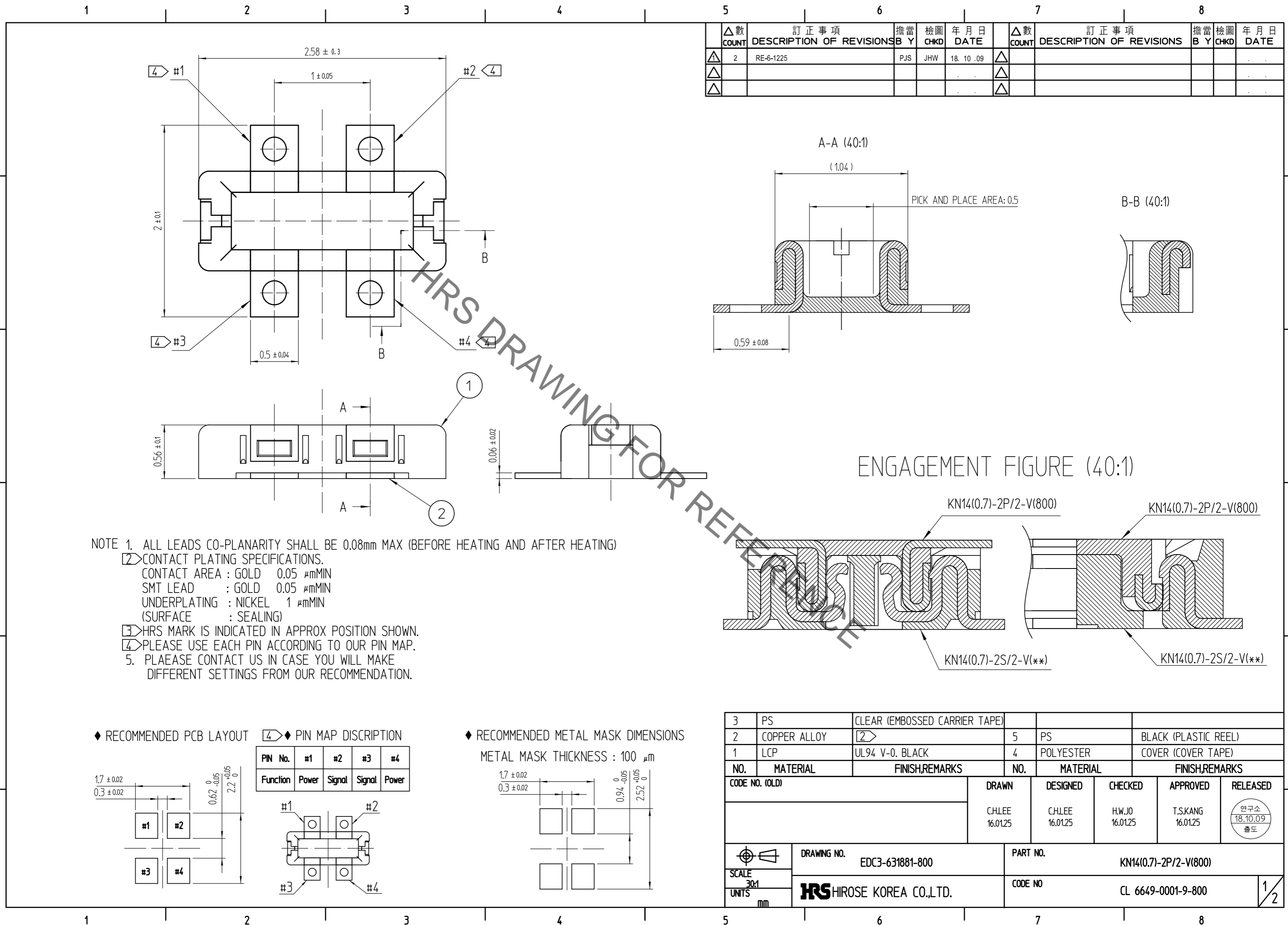


Jan.1.2022 Copyright 2022 HIROSE ELECTRIC CO., LTD. All Rights Reserved.
In case of consideration for using Automotive equipment / device which demand high reliability, kindly contact our sales window correspondents.



△數 COUNT	訂正事項 DESCRIPTION OF REVISIONS	擔當 B Y	檢圖 CHKD	年月日 DATE	△數 COUNT	訂正事項 DESCRIPTION OF REVISIONS	擔當 B Y	檢圖 CHKD	年月日 DATE
2	RE-6-1225	PJS	JHW	18.10.09					

NOTE 1. ALL LEADS CO-PLANARITY SHALL BE 0.08mm MAX (BEFORE HEATING AND AFTER HEATING)

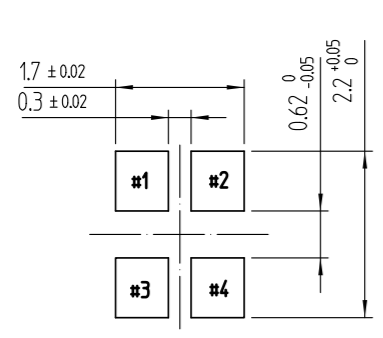
2 CONTACT PLATING SPECIFICATIONS.
 CONTACT AREA : GOLD 0.05 μmMIN
 SMT LEAD : GOLD 0.05 μmMIN
 UNDERPLATING : NICKEL 1 μmMIN
 (SURFACE : SEALING)

3 HRS MARK IS INDICATED IN APPROX POSITION SHOWN.

4 PLEASE USE EACH PIN ACCORDING TO OUR PIN MAP.

5. PLEASE CONTACT US IN CASE YOU WILL MAKE DIFFERENT SETTINGS FROM OUR RECOMMENDATION.

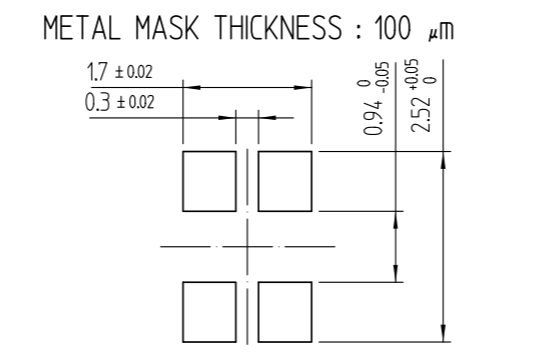
◆ RECOMMENDED PCB LAYOUT



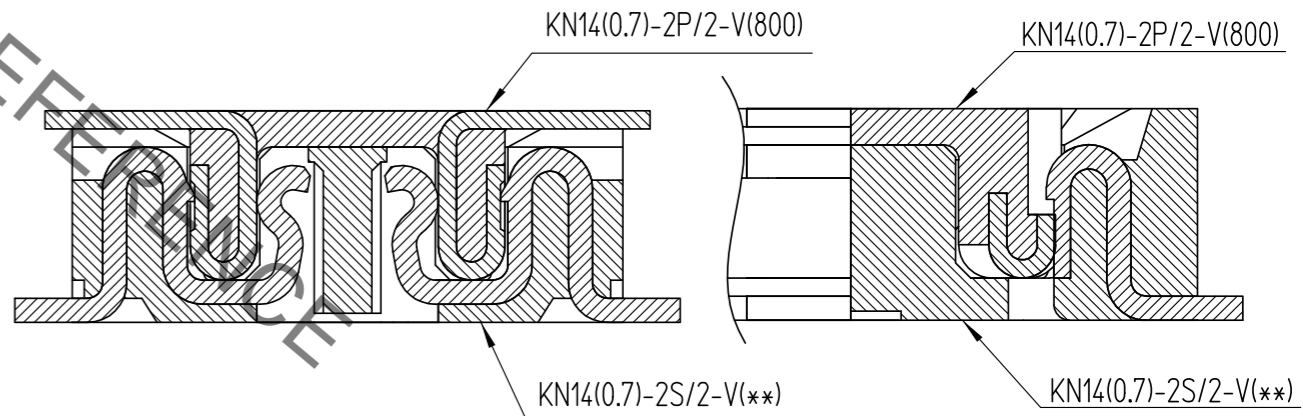
◆ PIN MAP DISCRPTION

PIN No.	#1	#2	#3	#4
Function	Power	Signal	Signal	Power

◆ RECOMMENDED METAL MASK DIMENSIONS

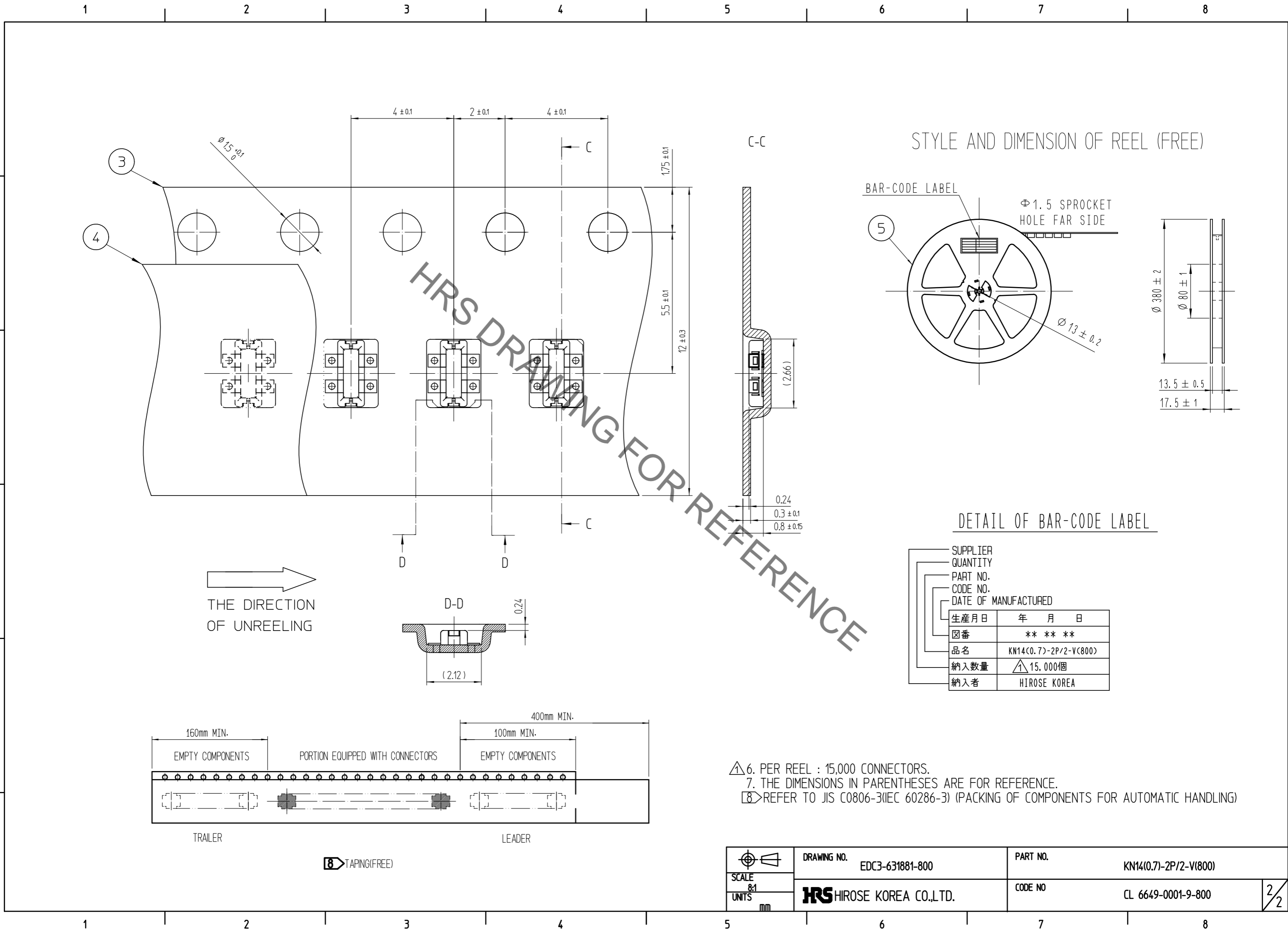


ENGAGEMENT FIGURE (40:1)

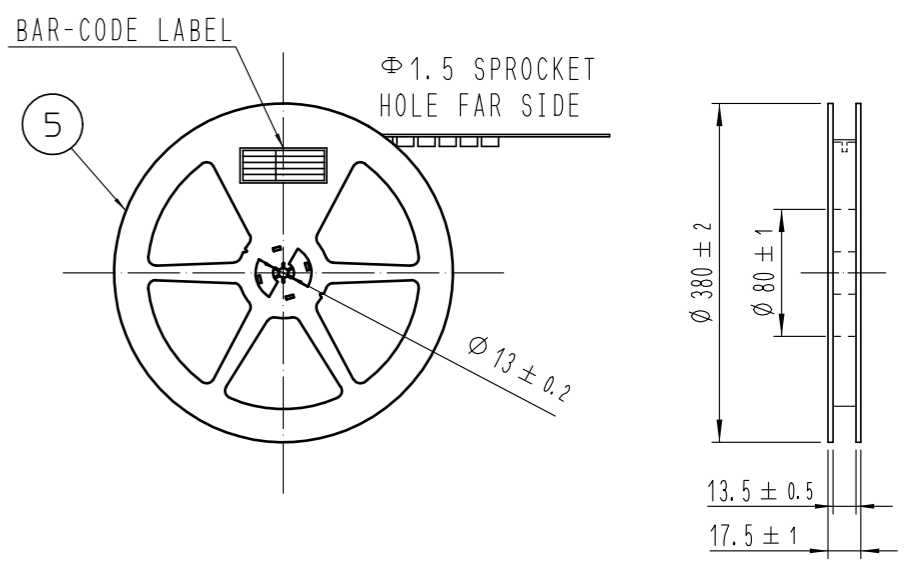


3	PS	CLEAR (EMBOSSED CARRIER TAPE)			
2	COPPER ALLOY	2	5	PS	BLACK (PLASTIC REEL)
1	LCP	UL94 V-0. BLACK	4	POLYESTER	COVER (COVER TAPE)
NO.	MATERIAL	FINISH,REMARKS	NO.	MATERIAL	FINISH,REMARKS
CODE NO. (OLD)			DRAWN	DESIGNED	CHECKED
			CH.LEE 16.01.25	CH.LEE 16.01.25	H.W.JO 16.01.25
			APPROVED	RELEASED	
			T.S.KANG 16.01.25	연구소 18.10.09 출도	
DRAWING NO. EDC3-631881-800		PART NO. KN14(0.7)-2P/2-V(800)			
SCALE 30:1		CODE NO. CL 6649-0001-9-800		1/2	
UNITS mm		HRS HIROSE KOREA CO.,LTD.			

Jan.1.2022 Copyright 2022 HIROSE ELECTRIC CO., LTD. All Rights Reserved.
In case of consideration for using Automotive equipment / device which demand high reliability, kindly contact our sales window correspondents.



STYLE AND DIMENSION OF REEL (FREE)



DETAIL OF BAR-CODE LABEL

SUPPLIER	HIROSE KOREA
QUANTITY	15,000
PART NO.	KN14(0.7)-2P/2-V(800)
CODE NO.	CL 6649-0001-9-800
DATE OF MANUFACTURED	生産月日 年 月 日
箱番	** ** *
品名	KN14(0.7)-2P/2-V(800)
納入数量	△ 15,000個
納入者	HIROSE KOREA

- △ 6. PER REEL : 15,000 CONNECTORS.
- 7. THE DIMENSIONS IN PARENTHESES ARE FOR REFERENCE.
- 8 REFER TO JIS C0806-3(IEC 60286-3) (PACKING OF COMPONENTS FOR AUTOMATIC HANDLING)

 SCALE 8:1 UNITS mm	DRAWING NO. EDC3-631881-800	PART NO. KN14(0.7)-2P/2-V(800)	2/2
	HRS HIROSE KOREA CO.,LTD.		