

6

5

4

3

2

1

E

E

D

D

C

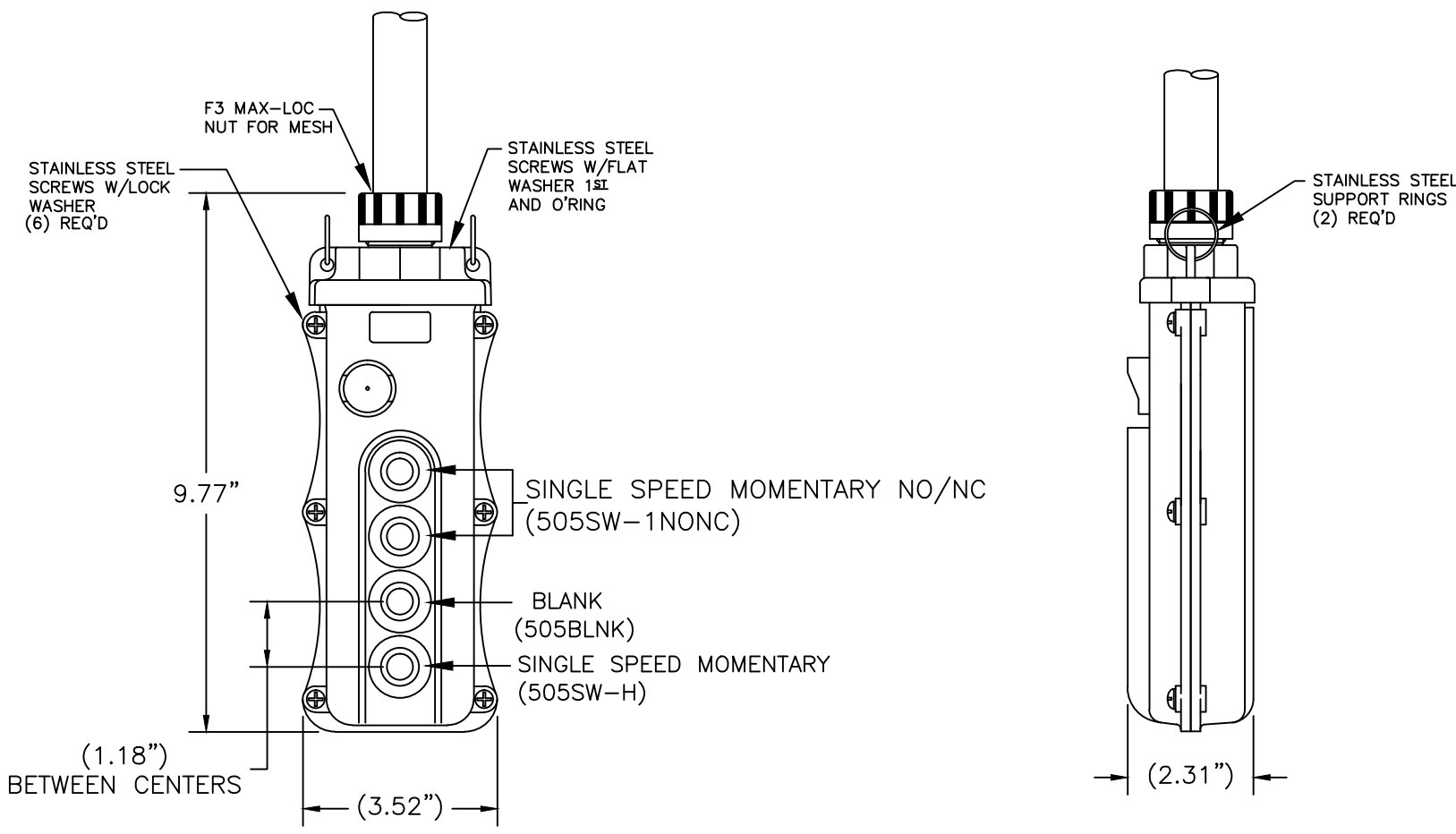
C

B

B

A

A



- NOTES:
 1. INSTALLATION INSTRUCTIONS, BUTTON ID. LABELS. ARE PACK WITH THE PART.
 2. ALL BUTTONS ARE HIGH AMBIENT, CHEMICALLY RESISTANT MATERIAL - COLOR BLACK

RELEASE DRAWING EC NO: IPC2013-1204 DRWN: HRUIZ01 2013/02/05 CHKD: HKNEELAN APPR: DTITUS 2013/02/08	DESCRIPTION 2013/02/08	QUALITY SYMBOLS	GENERAL TOLERANCES (UNLESS SPECIFIED)		DIMENSION STYLE INCH		SCALE NTS	DESIGN UNITS INCH	THIRD ANGLE PROJECTION	
		$\nabla=0$ $\sphericalangle=0$	mm	INCH	DRAWN BY	DATE	TITLE			
		4 PLACES	±---	±---	HRUIZ01	2013/02/05	4 POS PENDANT W/ 505SW-1NONC 505BLNK & 505SW-H			
		3 PLACES	±---	±.005	CHECKED BY	DATE				
2 PLACES	±---	±.010	HKNEELAN	2013/02/05	MOLEX INCORPORATED					
1 PLACE	±---	±.020	APPROVED BY	DATE						
ANGULAR ±1/2°			DRAFT WHERE APPLICABLE MUST REMAIN WITHIN DIMENSIONS		MATERIAL NO. 1301260344		DOCUMENT NO. SD-130126-062		SHEET NO. 1 OF 1	
SIZE A			THIS DRAWING CONTAINS INFORMATION THAT IS PROPRIETARY TO MOLEX INCORPORATED AND SHOULD NOT BE USED WITHOUT WRITTEN PERMISSION							

6

5

4

3

2

1