

General Description

Craig and Derricott have been supplying isolation equipment for the Ventilation Industry for more than 15 years. The F400 Fire Rated product is designed specifically for installations where the supply must be maintained for **2 hours at 400°C**.

The use of this switchgear range is to maintain power to vital equipment such as smoke extraction / ventilation fans allowing the safe evacuation of businesses, car parks and public areas.

These switch-disconnectors are installed near to the extraction fan for isolation purposes, and has been tested in conjunction with the fan equipment to meet the stringent thermal requirements of BSEN 12101-3. All enclosures come standard with padlocking in both 'Off' and 'On'.

The F300 Fire Rated product is designed for installations where the supply must be maintained for **60 min at 300°C**.

Catalogue Numbers

Rating	Format	Assembly Form	Catalogue No. (Finished Red)	Temp. Class.	Encl. size (IP65)	Rating	Format	Assembly Form	Catalogue No. (Finished Red)	Temp. Class.	Encl. size (IP65)
20A	2P	Lid mounted in sheet steel enclosure	FSDMR0202	F400	A	160A	3P		F3SDR01603	F300	*5
	3P		FSDMR0203				F3SDR01603NL				
	3P+2EB Aux		FSDMR0203EB				F3SDR01604				
	3P+N		FSDMR0203N				F3SDR01606				
	4P		FSDMR0204				F3SDR01606NL				
6P	FSDMR0206	F3SDR02003	F300	200A	3P	F3SDR02003NL					
3P	FSDDR0202	F3SDR02004									
3P+2EB Aux	FSDDR0203EB	F3SDR02006									
3P+N	FSDDR0203N	F3SDR02006NL									
4P	FSDDR0204	F3SDR02503			F300	250A	3P	F3SDR02503NL			
6P	FSDDR0206	F3SDR02504									
6P+EB	FSDDR0206EB	F3SDR02506									
3P	FSDDR0322	F3SDR02506NL									
3P+N	FSDDR0323	F3SDR03153	F300	315A			3P	F3SDR03153NL			
3P+2EB Aux	FSDDR0323EB	F3SDR03154									
3P+N	FSDDR0323N	F3SDR03156									
4P	FSDDR0324	F3SDR03156NL									
6P	FSDDR0326	F3SDR04003			F300	400A	3P	F3SDR04003NL			
6P+2EB Aux	FSDDR0326EB	F3SDR04004									
2P	FSDMR0632	F3SDR04006									
3P	FSDMR0633	F3SDR04006NL									
3P+2EB Aux	FSDMR0633EB	F3SDR06303	F300	630A			3P+N	F3SDR06303NL			
3P+N	FSDMR0633N	F3SDR06304									
4P	FSDMR0634	F3SDR06306									
6P	FSDMR0636	F3SDR06306NL									
6P+2EB Aux	FSDMR0636EB										
63A	2P	Base mounted in hinged door sheet steel enclosure	FSDMR0632	F400	C	125A	3P		RS1BD11/HPHT	F400	D
	3P		FSDMR0633				RS1BT21/HPHT				
	3P+2EB Aux		FSDMR0633EB				RS1BT31/2EB/HPHT				
	3P+N		FSDMR0633N				RS1BT21/HPHT/NL				
	4P		FSDMR0634				RS1BQ21/HPHT				
	6P		FSDMR0636				RS1BY31/HPHT				
6P+2EB Aux	FSDMR0636EB	RS1BY41/2EB/HPHT									
2P	Lid mounted in die-cast aluminium enclosure	FSDDR0322	F400	B	20A	3P		RS1BD11/HPHT	F400	D	
3P		FSDDR0202				RS1BT21/HPHT					
3P+2EB Aux		FSDDR0203EB				RS1BT31/2EB/HPHT					
3P+N		FSDDR0203N				RS1BT21/HPHT/NL					
4P		FSDDR0204				RS1BQ21/HPHT					
6P		FSDDR0206				RS1BY31/HPHT					
6P+EB	FSDDR0206EB	RS1BY41/2EB/HPHT									

'N' = Neutral
'NL' = Neutral Link (100% rated 32A-200A, 50% rated 250A-630A)
'EB' = Early break auxiliary contacts



F400 Fire Rated Range



F300 Fire Rated Range



Technical Data Sheet

Fire Rated

CDPD52
Issue 1

Technical Specification

Data supplied against tests to IEC/BS EN 60947-3

Application	Sym.	Unit	Category	20A	32A	63A	125A	160A	200A	250A	315A	400A	630A	
Rated thermal current	I_{the}	A		20	32	63	125	160	200	250	315	400	630	
Rated insulation voltage	U_l	V		690	690	690	690	1000	1000	1000	1000	1000	1000	
Rated impulse voltage	U_{imp}	kV		6.0	6.0	6.0	6.0	12.0	12.0	12.0	12.0	12.0	12.0	
Rated operational power (3 phase AC)	I_e / P_e	A/kW	415V - AC23A	20/9.5	32/15	40/18.5	100/55	160/90	200/110	250/132	315/175	400/200	630/315	
			690V - AC23A	-	-	-	-	160/150	200/190	250/200	315/300	400/315	630/355	
			690V - AC23B	20/9.5	20/9.5	20/9.5	-	-	-	-	-	-	-	-
			660V - AC23B	-	-	-	30/22	-	-	-	-	-	-	-
Short circuit withstand (1 sec)	I_{ow}	kA	RMS value	-	-	-	1.5	8.0	8.0	8.0	17.0	17.0	17.0	
Conditional Short Circuit Current	Fuse gG	kA/ Fuse(A)	415V	50/32	50/32	50/63	50/200	50/160	50/200	50/250	-	-	-	
			690V	40/32	40/32	40/63	50/63	50/160	50/200	50/250	50/315	50/400	100/630	
Recommended connecting capacity	-	Terminal type												
		mm ² Flexible cable	≤ 4.0	6	16	50	95	95	120	2/150	2/150	2/185		
		mm ² Rigid cable	≤ 4.0	10	25	50	95	95	120	2/150	2/150	2/185		
		Nm Tightening torque	1.2	1.2	3.0	12.0	8.0	8.0	8.0	17.0	17.0	21.0		

Specification

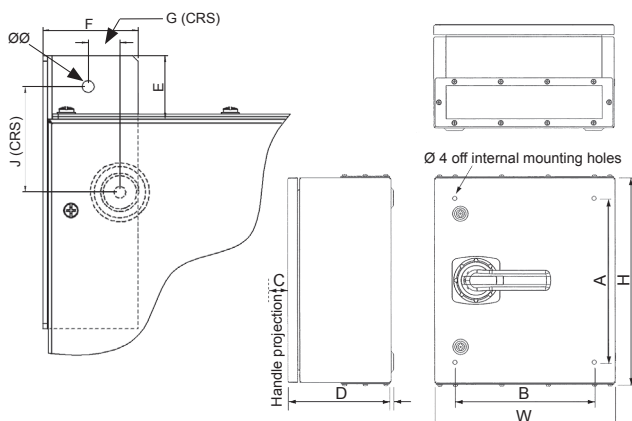
Within BS EN 12101-3: 2003 (Smoke and heat controls) there are several classes of duty which define a specific temperature gradient, upper temperature limit and time period.

F300 300°C for 60 min* **F400** 400°C for 120 min.

*Craig and Derricott's F300 products will withstand 300°C for 120 min.

The specification calls for dynamic tests designed to check the performance of the complete ventilation system. The critical function of the associated isolator is required to maintain the essential supply for the duration of the test.

Dimensions



Sheet Steel Enclosure Sizes

Dim	5	6	7	8	9
H	550	750	750	900	900
W	450	450	600	600	600
D	250	275	300	300	400
A	470	670	670	820	820
B	370	370	520	520	520
C	67	67	67	67	67
Ø	8.5	8.5	8.5	10.5	10.5

External Feet

E	35	35	35	35	35
F	58	58	58	58	58
G	13	13	13	13	13
J	58	58	58	58	58
ØØ	8.5	8.5	8.5	10.5	10.5

External Mounting Feet (Four per set)

Enclosure Sizes 1 & 2 Cat No. SEFL1/KIT
 Enclosure Sizes 3 - 7 Cat No. SEFL2/KIT
 Enclosure Sizes 8 - 10 Cat No. SEFL3/KIT

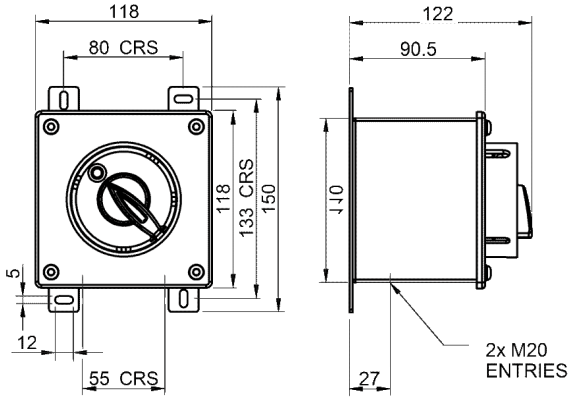
Technical Data Sheet

Fired Rated

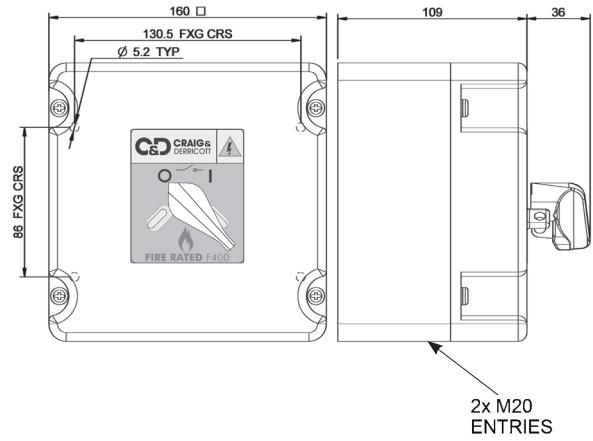
CDPD52
Issue 1

Dimensions

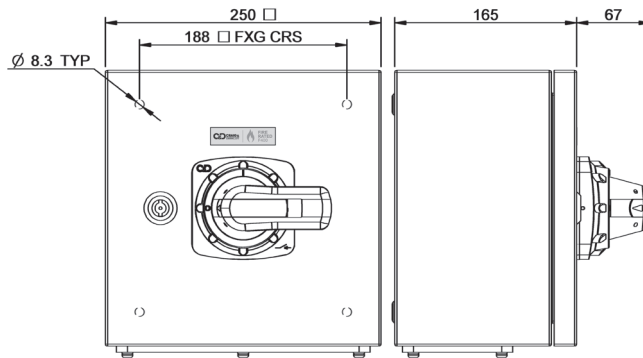
Size A



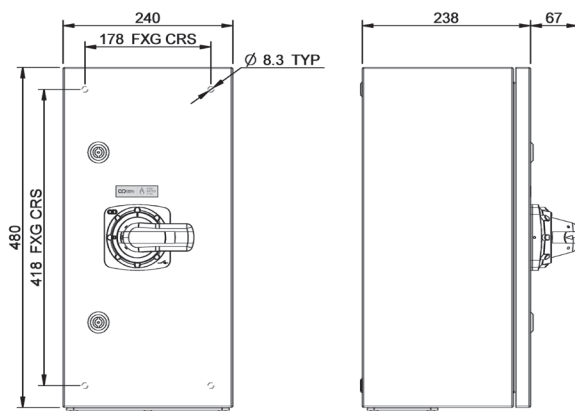
Size B



Size C



Size D



Size E

