

PAS-1 - Equipotential busbar

2765615

<https://www.phoenixcontact.com/us/products/2765615>

Please be informed that the data shown in this PDF document is generated from our online catalog. Please find the complete data in the user documentation. Our general terms of use for downloads are valid.

Equipotential busbar



Product description

The equipotential busbar, PAS-1 is designed for the main equipotential bonding in accordance with DIN VDE 0185. PAS-1 has a contact bar in the form of a comb. Nine loose slide-on terminal blocks are available for connecting round conductors with a cross section of 2.5 mm² to 95 mm². In addition, a 4 x 30 mm steel strip can be connected using the double terminal block (2), see figure below. A label can be found in the sealable plastic cover, on which the identification of the conductors connected can be entered. PAS-1 has the VDE mark of conformity in accordance with DIN VDE 0618-1:1989-08.

Commercial data

| | |
|--------------------------------------|---------------------|
| Item number | 2765615 |
| Packing unit | 1 pc |
| Minimum order quantity | 1 pc |
| Sales key | CL01 |
| Product key | CL113Z |
| Catalog page | Page 100 (C-4-2019) |
| GTIN | 4017918066475 |
| Weight per piece (including packing) | 380 g |
| Weight per piece (excluding packing) | 380 g |
| Customs tariff number | 85389099 |
| Country of origin | DE |

PAS-1 - Equipotential busbar

2765615

<https://www.phoenixcontact.com/us/products/2765615>



Technical data

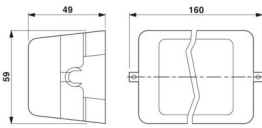
Product properties

| | |
|--------------|-----------------------------|
| Product type | Equipotential bonding strip |
|--------------|-----------------------------|

Connection data

| | |
|-------------------------------|--|
| Connection method | Screw connection |
| Conductor cross section rigid | 2.5 mm ² ... 95 mm ² |

Dimensions

| | |
|---------------------|--|
| Dimensional drawing |  |
| Width | 59 mm |
| Height | 149 mm |
| Depth | 49 mm |

Material specifications

| | |
|-------|------------------|
| Color | black (RAL 9005) |
| | Silver |

PAS-1 - Equipotential busbar

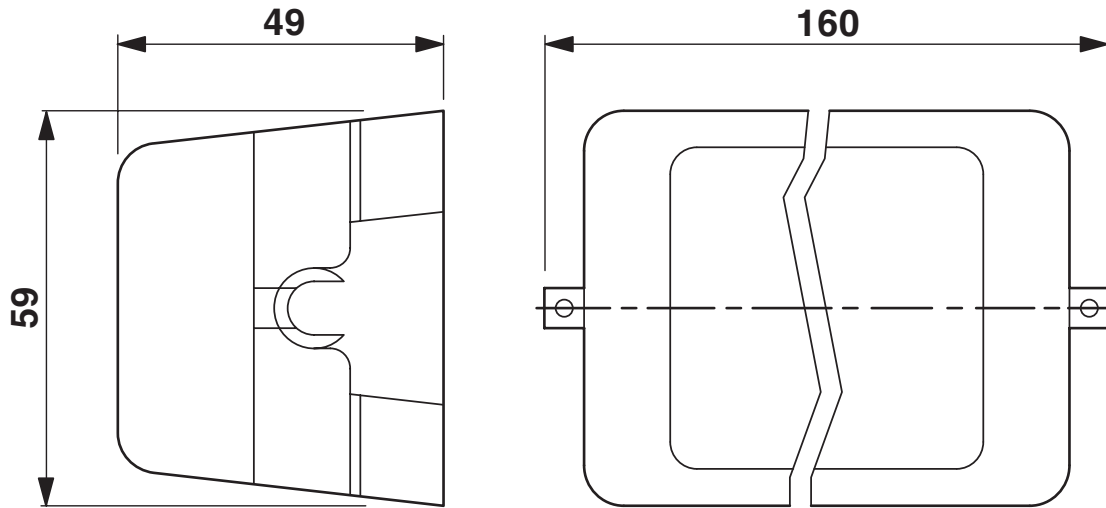
2765615

<https://www.phoenixcontact.com/us/products/2765615>



Drawings

Dimensional drawing



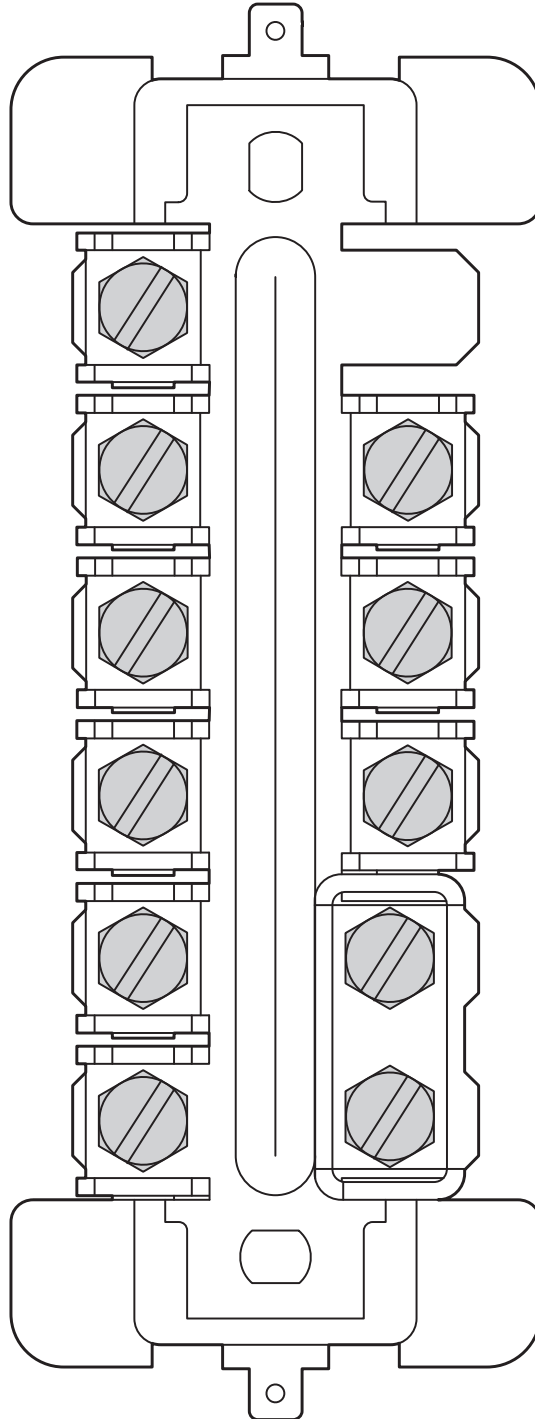
PAS-1 - Equipotential busbar

2765615

<https://www.phoenixcontact.com/us/products/2765615>



Schematic diagram



PAS-1 - Equipotential busbar




2765615

<https://www.phoenixcontact.com/us/products/2765615>

Approvals

🔗 To download certificates, visit the product detail page: <https://www.phoenixcontact.com/us/products/2765615>

|  VDE Zeichengenehmigung Approval ID: 73234 | | | | |
|---|-----------------------|-----------------------|-------------------|-----------------------------|
| | Nominal voltage U_N | Nominal current I_N | Cross section AWG | Cross section mm^2 |
| Mark approval certificate | - | - | - | - 95 |

PAS-1 - Equipotential busbar



2765615

<https://www.phoenixcontact.com/us/products/2765615>

Classifications

ECLASS

| | |
|-------------|----------|
| ECLASS-11.0 | 27140307 |
| ECLASS-13.0 | 27171001 |

ETIM

| | |
|----------|----------|
| ETIM 9.0 | EC001470 |
|----------|----------|

UNSPSC

| | |
|-------------|----------|
| UNSPSC 21.0 | 39121100 |
|-------------|----------|

PAS-1 - Equipotential busbar



2765615

<https://www.phoenixcontact.com/us/products/2765615>

Environmental product compliance

EU RoHS

| | |
|---|--------------------|
| Fulfills EU RoHS substance requirements | Yes, No exemptions |
|---|--------------------|

China RoHS

| | |
|--|--|
| Environment friendly use period (EFUP) | EFUP-E |
| | No hazardous substances above the limits |

EU REACH SVHC

| | |
|-------------------------------------|----------------------------|
| REACH candidate substance (CAS No.) | No substance above 0.1 wt% |
|-------------------------------------|----------------------------|

Phoenix Contact 2024 © - all rights reserved
<https://www.phoenixcontact.com>

Phoenix Contact USA
586 Fulling Mill Road
Middletown, PA 17057, United States
(+717) 944-1300
info@phoenixcon.com