

Products

Magnetic Buzzer

Magnetic Transducer(External Circuitry Type)

Pin Type

KSSG1201-16

PRINT

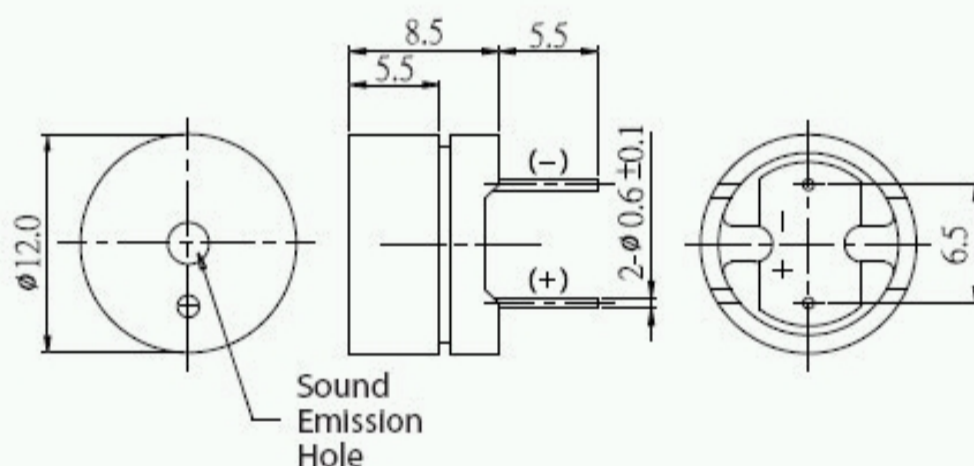
Shape

KSSG1201-16



Rated Voltage (VDC)	1.5
Operating Voltage Range (VDC)	1.0~2.0
Current Consumption (mA)	Max.35
Coil Resistance ( ? )	16.0±2.4
Sound Pressure Level (dBA)	Min.85dBA(Typical91)@10cm
Rated Frequency (Hz)	2048
Operating Temperature ( ? )	-20~+60
Operating Temperature ( ? )	-30~+70
Weight (Gram)	1.4
Material	PPO

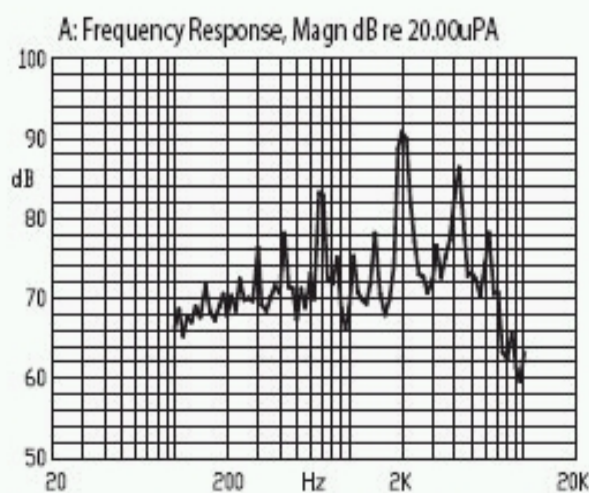
Dimension



Tol : ±0.5 Unit : mm

Characteristic / Schematic Diagram

KSSG1201-16



Back

TOP

Part Number Search

Send

Hot Product



High SNR Microphone

10\*4.5

More info



Array Microphone

24 x 8 x 2.8

More info

NEWS

▶ ? electronica 2010 ?  
 Hall B6, Booth  
 No.118 **NEW** ..More info

▶ ? TAITRONICS  
 2010? Taipei World  
 Trade Center  
 Nangang Exhibition  
 Hall,Booth  
 No.L1019/1021 **NEW**  
 ..More info

▶ KINGSTATE Ultra-  
 Thin ESL Speaker  
 and Danish AM3D  
 Audio Software Demo  
 Event Successfully  
 Held On May 12,  
 2010 **NEW** ..More info