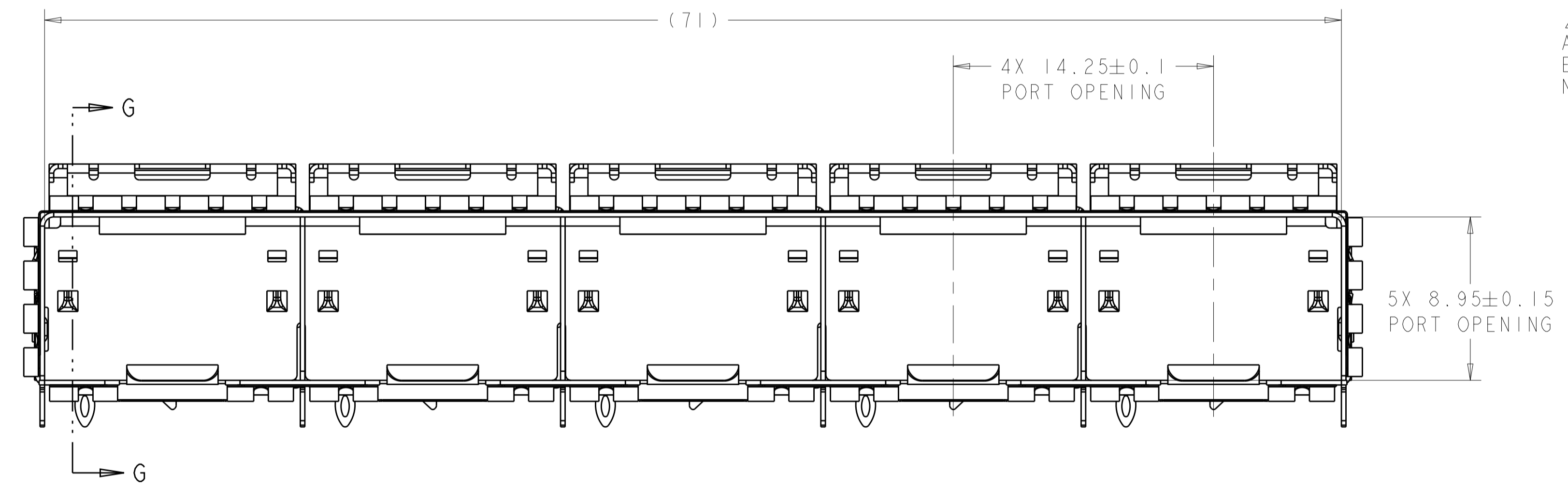
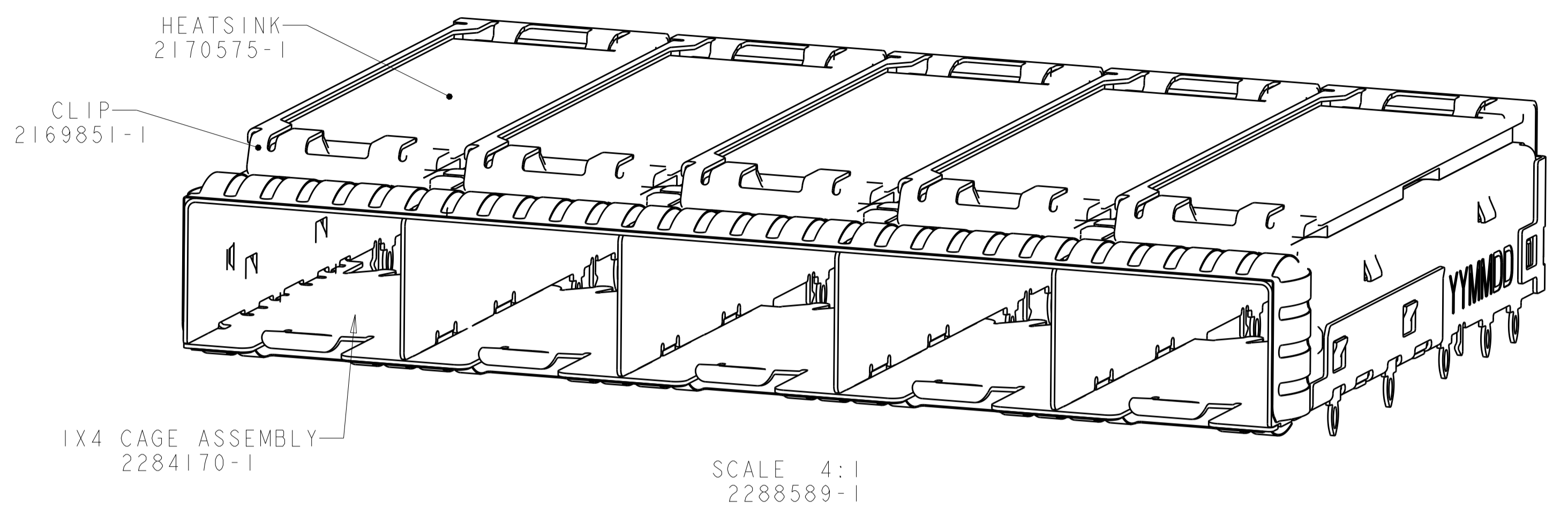
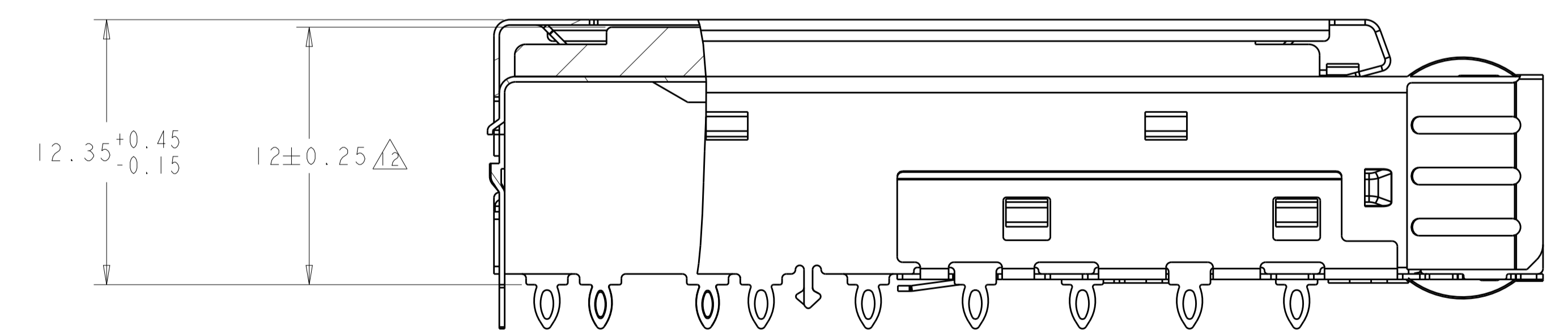
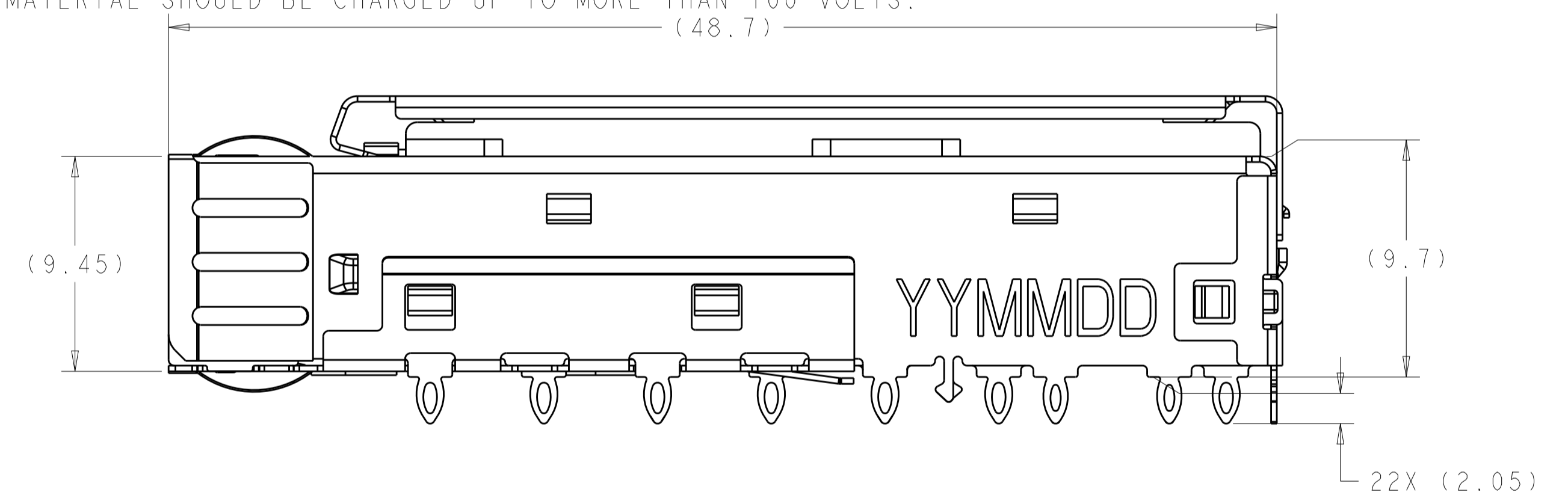


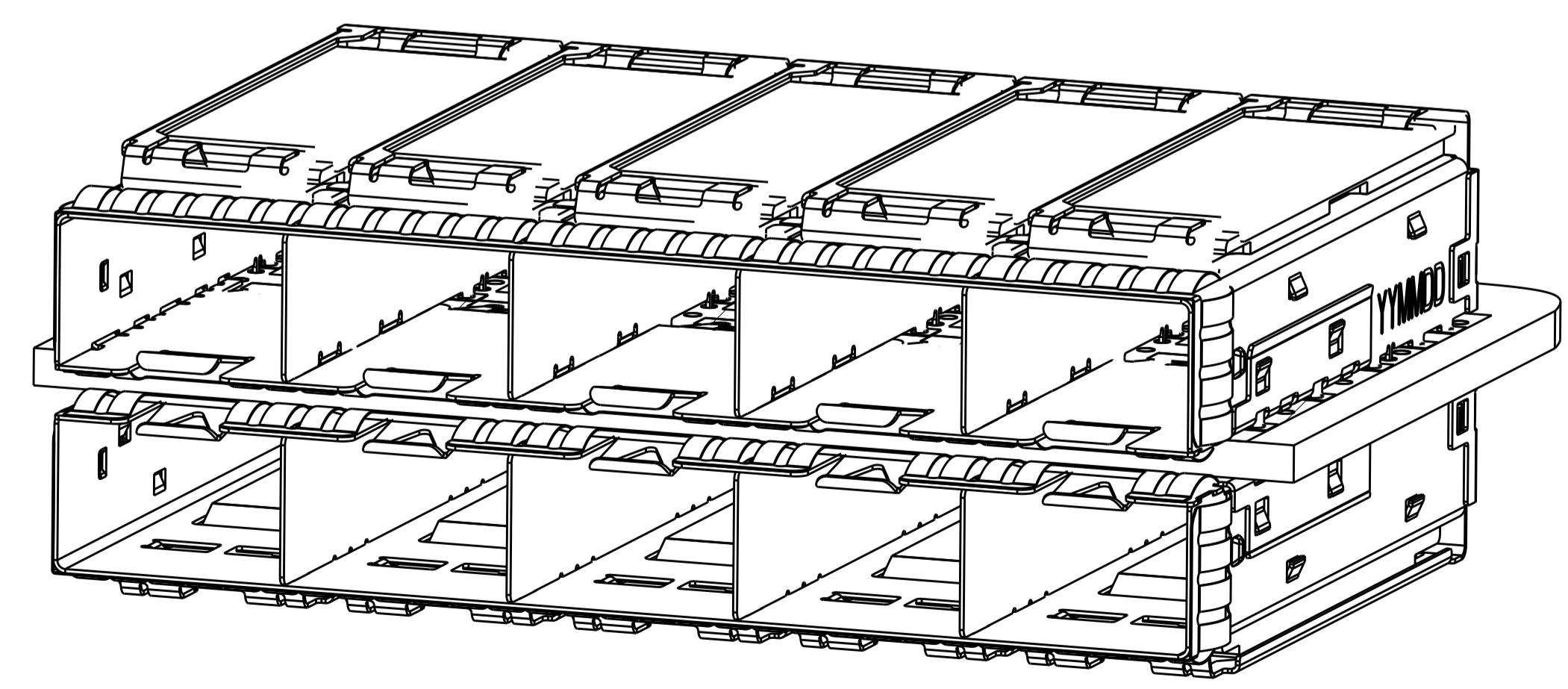
LOC	DIST	REVISIONS					
		P	LTN	DESCRIPTION	DATE	DWN	APVD
GP	00	1		INITIAL CUSTOMER RELEASE	05NOV2014	JW	SH
		2		ADD DASH NUMBER	22MAR2015	PP	SH
		A		ENGINEER RELEASE	27AUG2015	JW	SH



- △ MATERIAL:
 CAGE ASSEMBLY: 0.25mm THICK NICKEL SILVER ALLOY
 HEATSINK CLIP: STAINLESS STEEL
 HEATSINK: ALUMINUM
- △ FINISH:
 SPRINGS: MINIMUM OF 0.8um TIN PLATE OVER A MINIMUM OF 0.8um NICKEL UNDERPLATE.
 NON-PLATED EDGES PERMISSIBLE.
 HEATSINK: ELECTROLESS NICKEL
 HEATSINK CLIP: PASSIVATE
- △ PADS AND VIAS CHASSIS GROUND.
 DATUM AND BASIC DIMENSION ESTABLISHED BY CUSTOMER.
- △ REFERENCE APPLICATION SPEC. 114-13120, HOLE A, FOR RECOMMENDED DRILL HOLE DIAMETER AND PLATING THICKNESS.
- 5. MATES WITH SFP MSA COMPLIANT TRANSCEIVERS.
- 6. INTERPRETATION OF DATUM REFERENCE FRAME IN ACCORDANCE WITH SECT 4.4.1.1 OF ASME Y14.5M-1994
- △ REFERENCE APPLICATION SPEC. 114-13120, HOLE B, FOR RECOMMENDED DRILL HOLE DIAMETER AND PLATING THICKNESS.
- △ HOLE PATTERN REPEATS FOR EACH PORT. SPACING BETWEEN PORTS IS 14.25mm.
- △ MINIMUM PC BOARD THICKNESS:
 SINGLE SIDED = 1.45
 DOUBLE SIDED = 2.25
- 10. CERTAIN MATING TRANSCEIVERS MAY REQUIRE ADDITIONAL PCB THICKNESS THAT WOULD BE DETERMINED BY THE CUSTOMER.
- 11. PRODUCT COMPLIES WITH SPECIFICATION SFF-8433 IMPROVED PLUGGABLE FROM FACTOR FOR SFP+ GANGED CAGES.
- △ DIMENSION APPLIES PRIOR TO INSERTION OF SFP MODULE
- △ PACKAGED AS A COMPLETE ASSEMBLY
- △ FOR ESD PROTECTION PACKAGE ONLY.
 ALL PACKAGE MATERIALS(INCLUDING TRAY, INNER LABEL)MUST PRIMARILY BE ELECTROSTATIC CONDUCTIVE OR ELECTROSTATIC DISSIPATIVE.
 NO MATERIAL SHOULD BE CHARGED UP TO MORE THAN 100 VOLTS.



△	2288589-2
△	2288589-1
PART NUMBER	

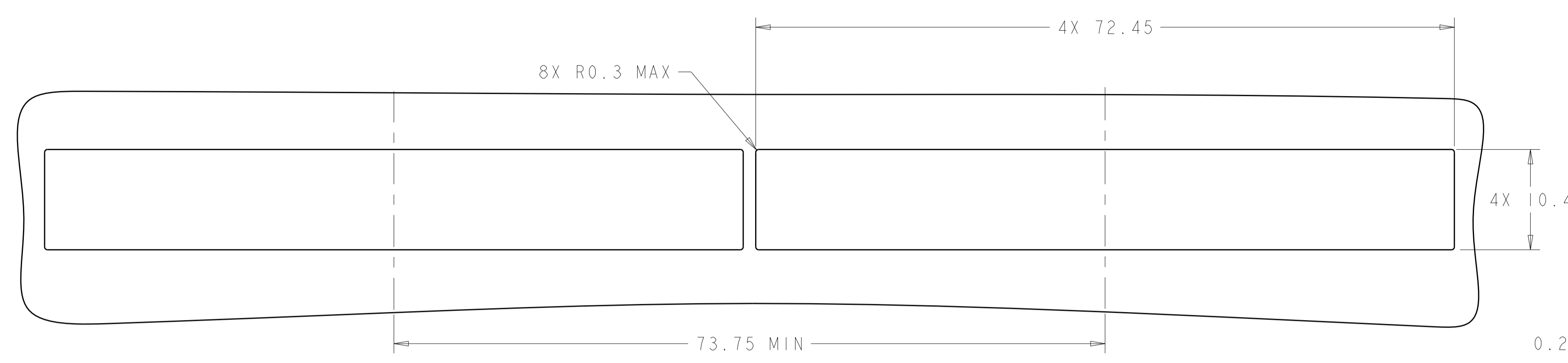


SCALE 3:1
 2288589-1
 MOUNTED BELLY TO BELLY ON PCB

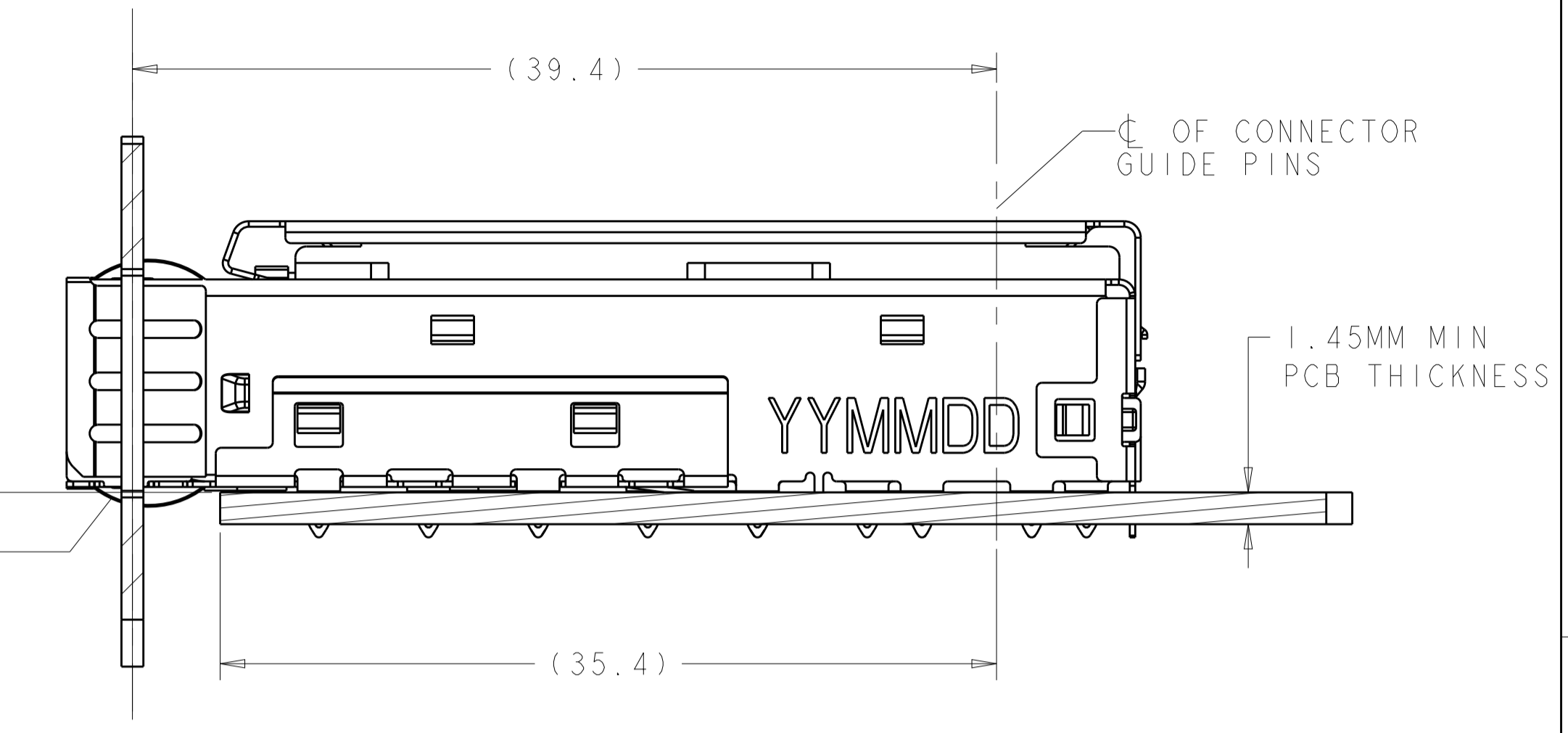
THIS DRAWING IS A CONTROLLED DOCUMENT.		DWN: J. WANG 5NOV2014	TE Connectivity
DIMENSIONS: mm		CHK: S. HAN 5NOV2014	
TOLERANCES UNLESS OTHERWISE SPECIFIED:		APVD: S. HAN 5NOV2014	NAME: CAGE ASSEMBLY WITH EMI SPRINGS, PRESS-FIT, 1X5, SFP+ WITH HEATSINK PRODUCT SPEC: 108-2364 APPLICATION SPEC: 114-13120 SIZE: A1 CAGE CODE: 00779 DRAWING NO: 2288589 RESTRICTED TO: -
0 PLC ±0.1 1 PLC ±0.1 2 PLC ±0.08 3 PLC ±0.05 4 PLC ±0.05 ANGLES ±0.05		WEIGHT: - SCALE: 5:1 SHEET: 1 OF 4 REV: A	
MATERIAL: SEE NOTES		FINISH: SEE NOTES	
Customer Drawing			

LOC	DIST	REV	DATE	BY	APPV
GP	00				

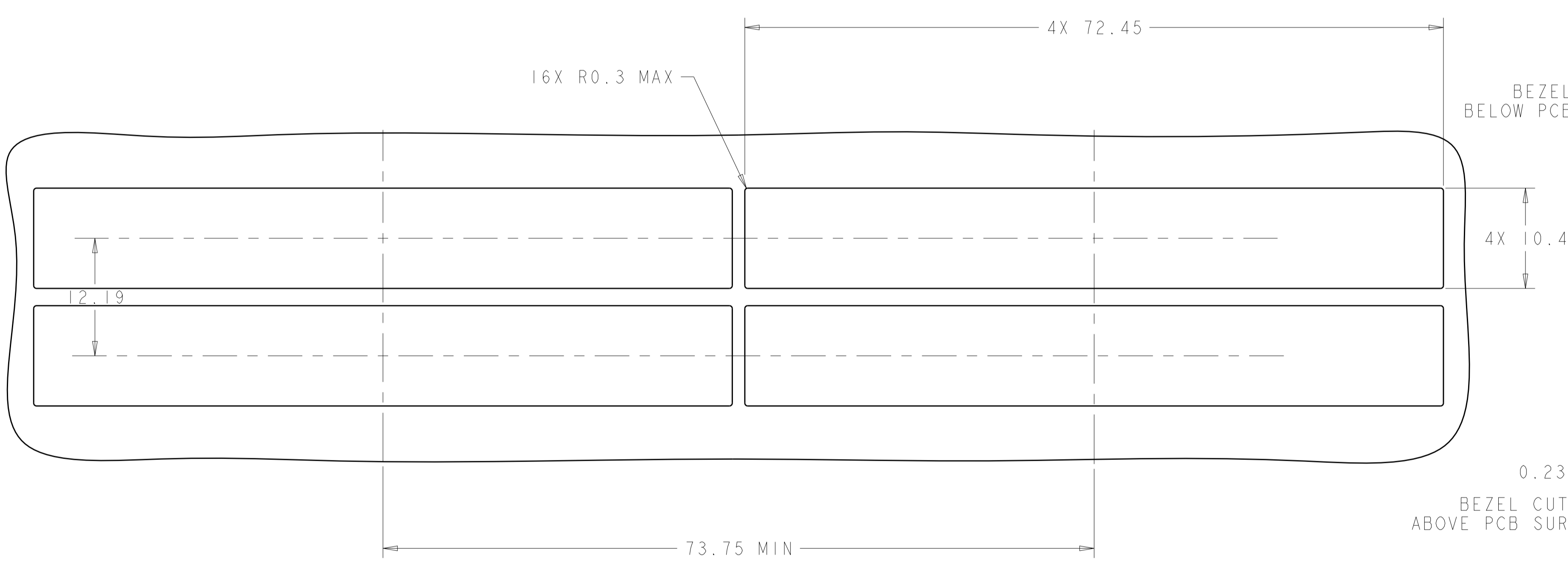
REVISIONS		DATE	BY	APPV
-	SEE SHEET 1	-	-	-



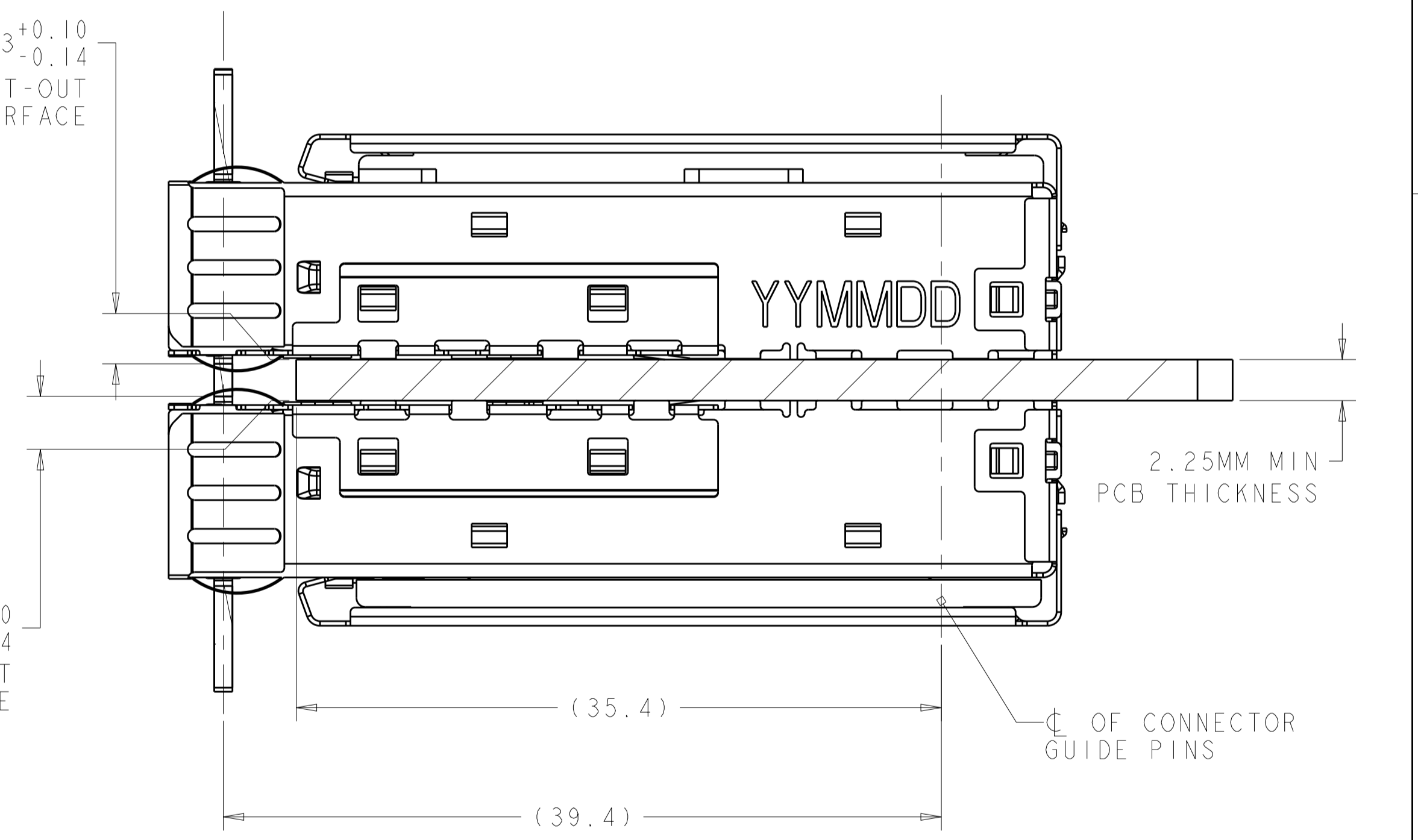
RECOMMENDED BEZEL CUT-OUT
 SINGLE SIDED APPLICATIONS
 SCALE 3:1



SECTION A-A
 SCALE 4:1
 2288589-1
 MOUNTED ON PCB BOARD
 SHOWN THRU RECOMMENDED BEZEL



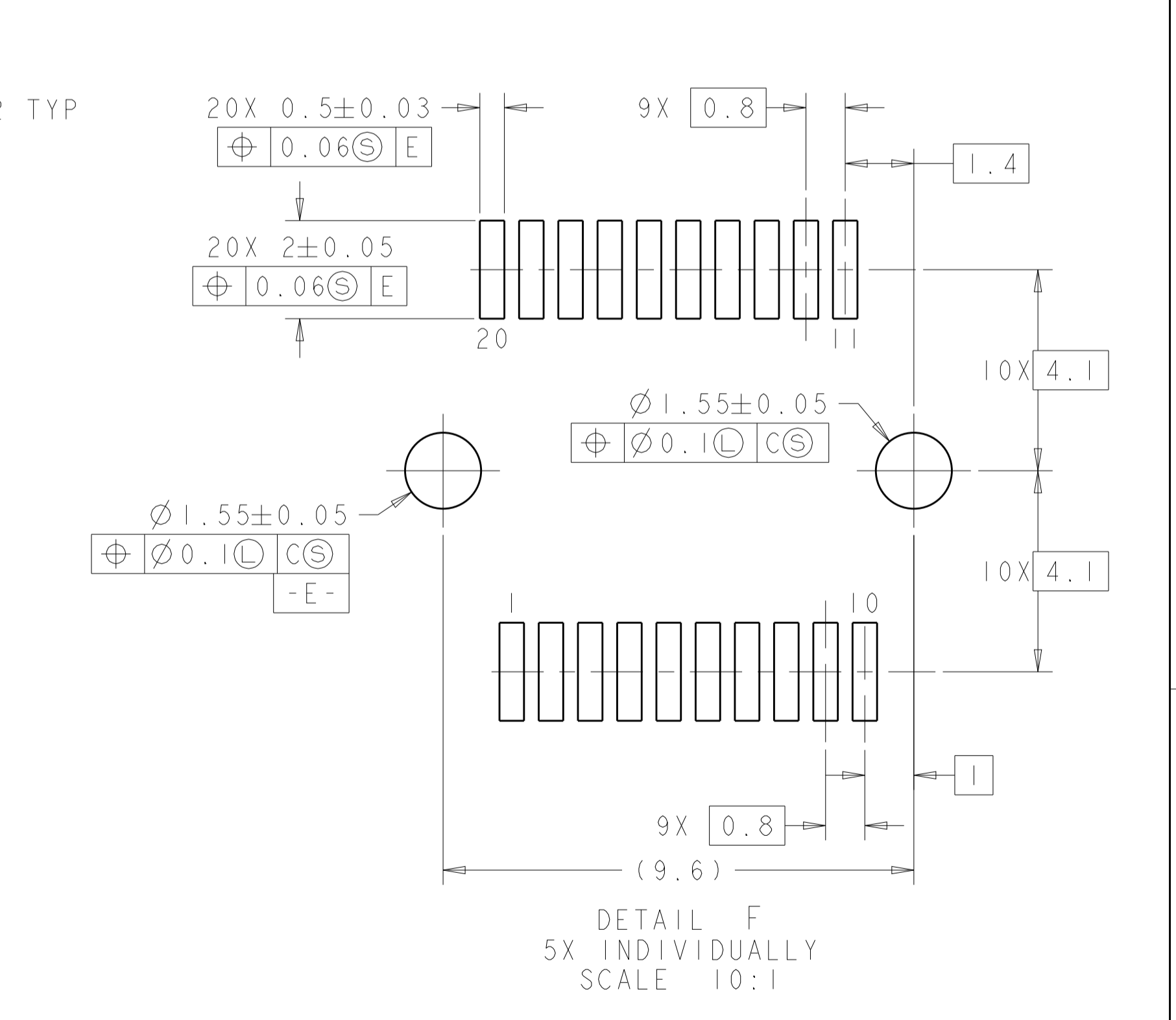
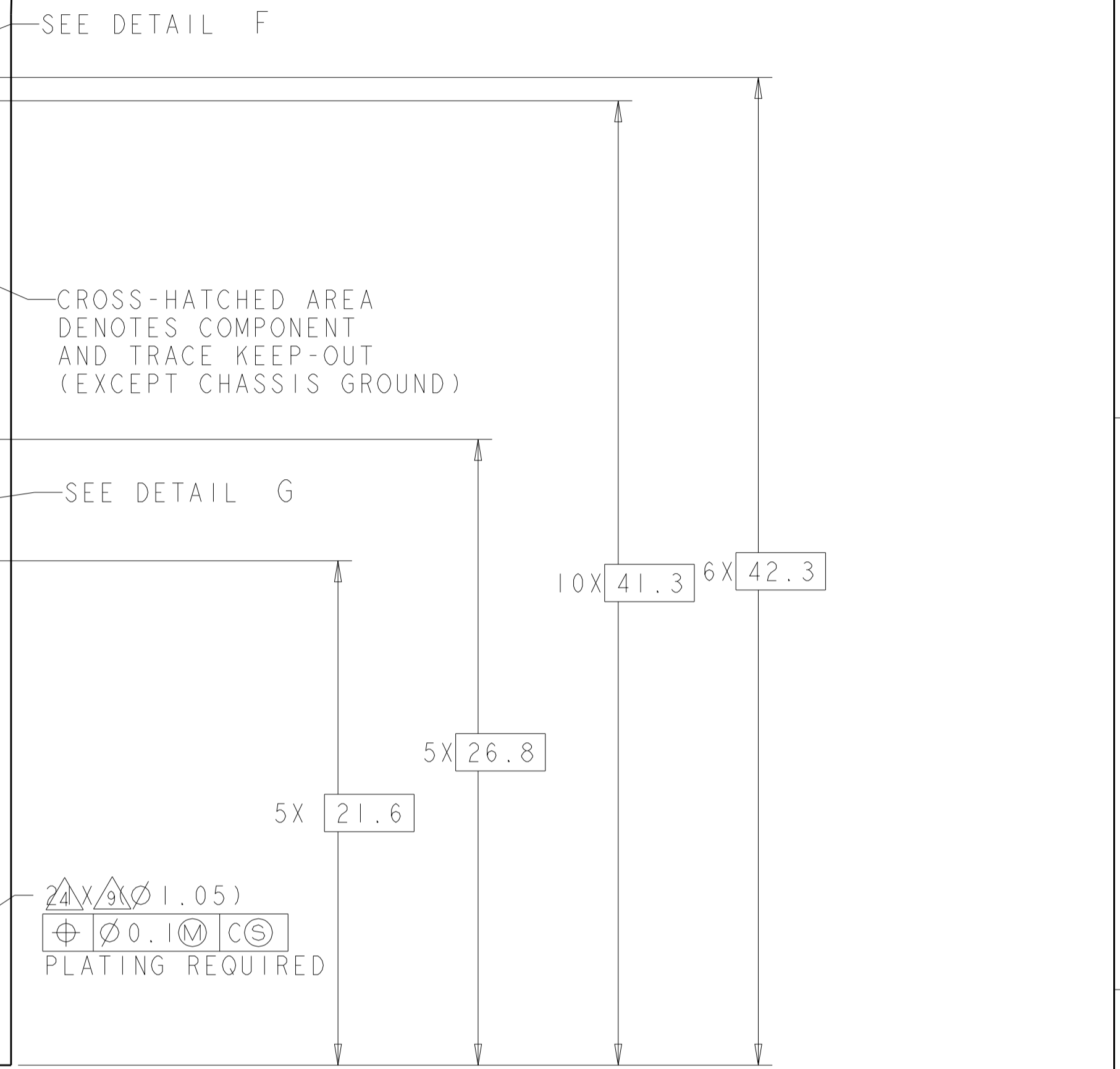
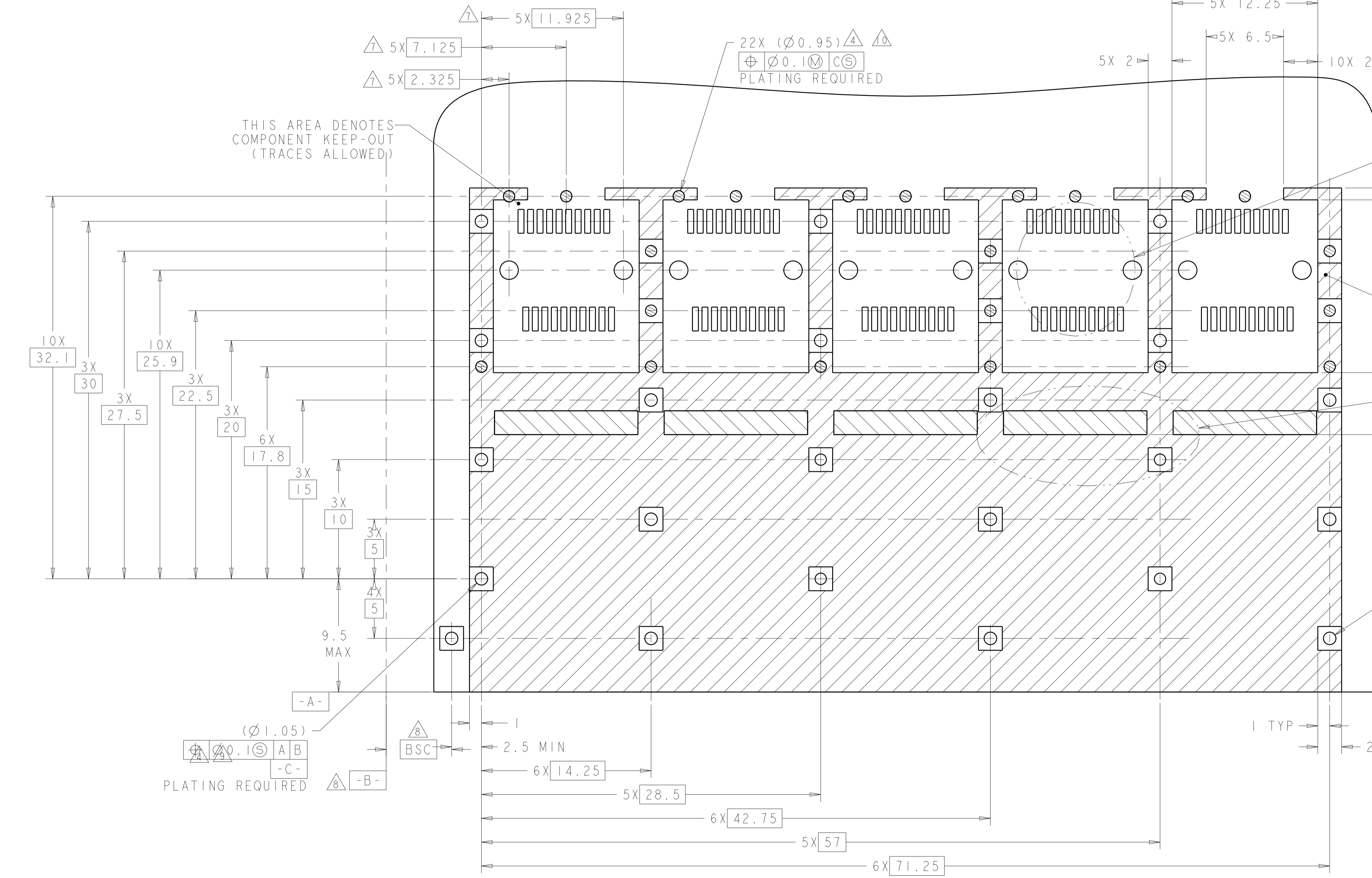
RECOMMENDED BEZEL CUT-OUT
 BELLY TO BELLY APPLICATIONS
 SCALE 3:1



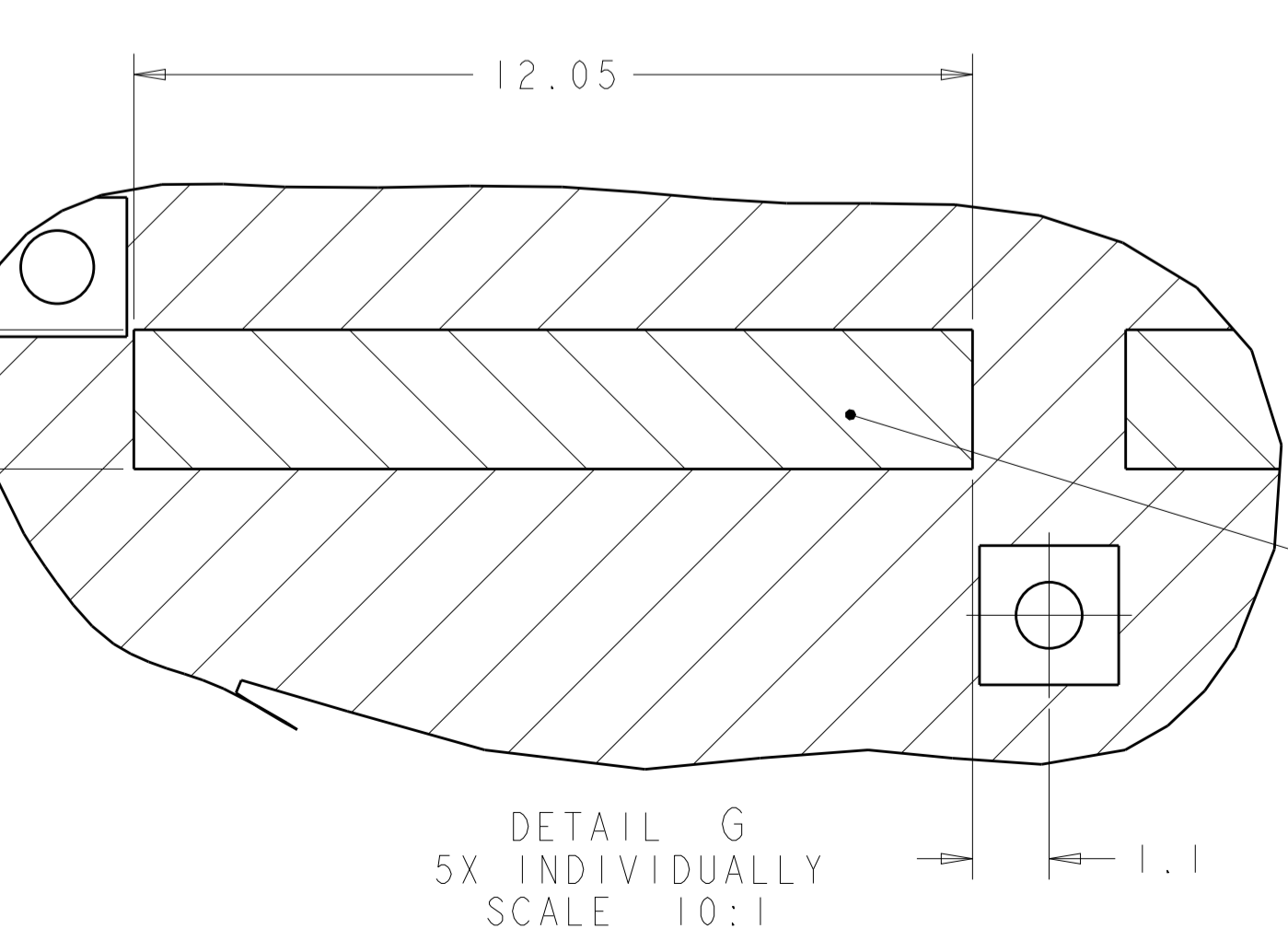
SECTION A-A
 SCALE 4:1
 2288589-1
 MOUNTED ON BELLY TO BELLY PCB BOARD
 SHOWN THRU RECOMMENDED BEZEL

THIS DRAWING IS A CONTROLLED DOCUMENT.		OWN	J. WANG	05NOV2014	TE Connectivity
DIMENSIONS:		CHK	S. HAN	05NOV2014	
mm	TOLERANCES UNLESS OTHERWISE SPECIFIED:	APPV	S. HAN	05NOV2014	NAME
0 PLC	±0.1	PRODUCT SPEC	CAGE ASSEMBLY WITH EMI SPRINGS, PRESS-FIT, IX5, SFP+ WITH HEATSINK		
1 PLC	±0.1	APPLICATION SPEC	108-2364		
2 PLC	±0.08	SIZE	114-13120		
3 PLC	±0.05	WEIGHT	A100779		
4 PLC	±0.05	SCALE	5:1		
ANGLES	±0.05	SHEET	2 OF 4		
MATERIAL	SEE NOTES	FINISH	REV A		
Customer Drawing		CAGE CODE		DRAWING NO	
		2288589			

LOC		DIST		REVISONS			
GP	00	P.	LTN	DESCRIPTION	DATE	DWN	APVD
				SEE SHEET 1			

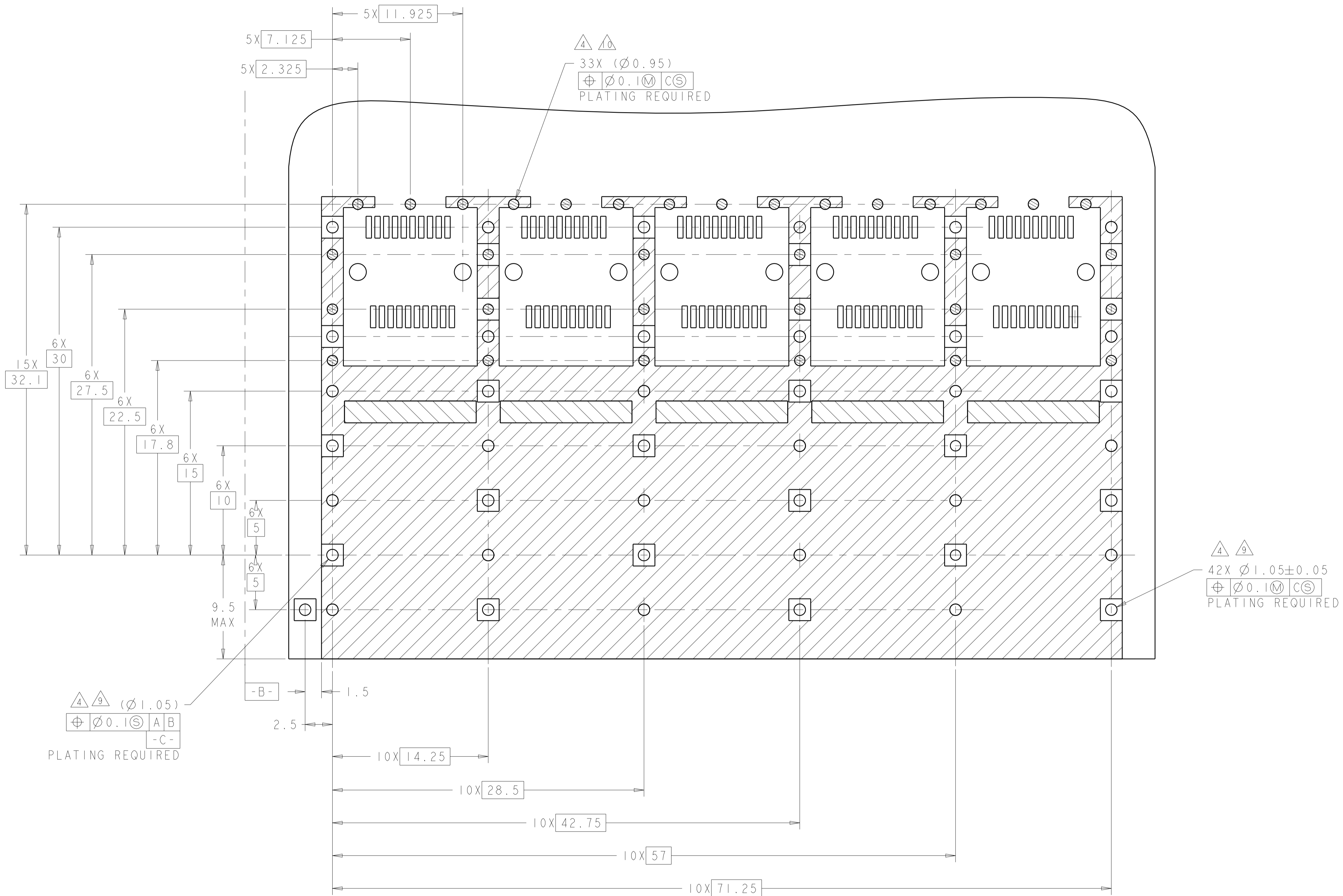


RECOMMENDED PCB CONFIGURATION WITH KEEP-OUTS FOR SINGLE SIDE APPLICATIONS
 SCALE 5:1



THIS DRAWING IS A CONTROLLED DOCUMENT.		DWN: J. WANG 05NOV2014	STE TE Connectivity	
DIMENSIONS: mm		CHK: S. HAN 05NOV2014		
TOLERANCES UNLESS OTHERWISE SPECIFIED:		APVD: S. HAN 05NOV2014	NAME: CAGE ASSEMBLY WITH EMI SPRINGS, PRESS-FIT, IX5, SFP+ WITH HEATSINK	
0 PLC ±0.1		PRODUCT SPEC: 108-2364	SIZE: CAGE CODE: DRAWING NO: A100779	
1 PLC ±0.1		APPLICATION SPEC: 114-13120	RESTRICTED TO: -	
2 PLC ±0.08		WEIGHT: -	SCALE: 6:1 SHEET 3 OF 4 REV A	
3 PLC ±0.05		Customer Drawing		
4 PLC ±0.05				
ANGLES ±0.05				
FINISH: SEE NOTES				

LOC	DIST	REV	DATE	BY	APPD
GP	00				
REVISIONS					



RECOMMENDED PCB CONFIGURATION WITH KEEP-OUTS FORBELLY TO BELLY APPLICATIONS
 SAME AS SINGLE SIDE APPLICATION, EXCEPT AS SHOWN
 SCALE 5:1

THIS DRAWING IS A CONTROLLED DOCUMENT.		OWN J. WANG 05NOV2014	TE Connectivity
DIMENSIONS: mm		CHK S. HAN 05NOV2014	
TOLERANCES UNLESS OTHERWISE SPECIFIED:		APVD S. HAN 05NOV2014	NAME
0 PLC ±0.1		PRODUCT SPEC	CAGE ASSEMBLY WITH EMI SPRINGS, PRESS-FIT, 1X5, SFP+ WITH HEATSINK
1 PLC ±0.1		108-2364	SIZE
2 PLC ±0.08		APPLICATION SPEC	A100779C=2288589
3 PLC ±0.05		114-13120	RESTRICTED TO
4 PLC ±0.05		WEIGHT	-
ANGLES ±1°		Customer Drawing	SCALE 6:1 SHEET 4 OF 4 REV A
MATERIAL SEE NOTES		FINISH SEE NOTES	