



AHEAD OF WHAT'S POSSIBLE™

EVAL-ADICUP3029 DEVELOPMENT PLATFORM

A multi-interface platform based on the ADuCM302x family of ultra low power ARM Cortex-M3 microcontroller units with integrated power management.



The *EVAL-ADICUP3029* is an Arduino-like platform based on the ADuCM302x family of ultra low power, integrated mixed-signal microcontroller systems for processing, control, and connectivity.

The microcontroller system is based on an ARM® Cortex®-M3 processor, a collection of digital peripherals, embedded SRAM and flash memory, and an analog subsystem that provides clocking, reset, and power management capability in addition to an ADC subsystem. The platform has an Arduino Uno R3-compatible form factor and has two additional Pmod™-compatible connectors and a Grove-compatible connector. It is accompanied by an Eclipse-based development environment.

An Ultra Low Power Ecosystem with Connectivity

Our ultra low power development platform features integrated and comprehensive tools, software, hardware, and connectivity.

Open Source

The CrossCore® Embedded Studio™ is based on free, open-source software including Eclipse, GNU Toolchain, GNU ARM Eclipse Plugin, and others. The *ADuCM3029* IDE offers designers an easy to use development tool with no code size limitations.

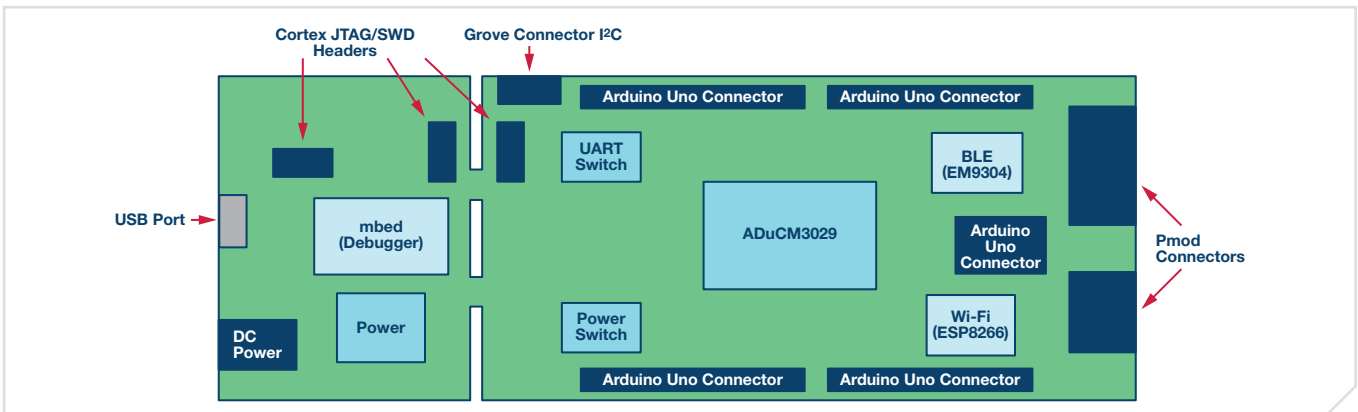


Prototyping

Use hardware modules and software examples together or create your own to develop your final system.

Wireless Connectivity

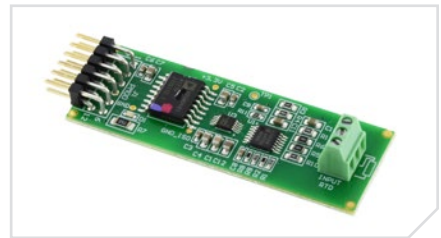
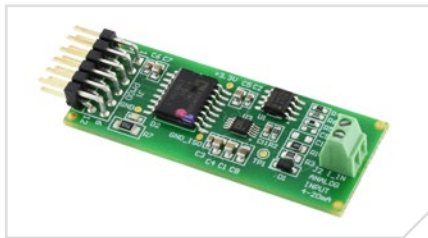
ADICUP3029 offers low energy Bluetooth® and Wi-Fi connectivity options available to use for your Internet of Things (IoT) applications.



Visit analog.com

Arduino Shield and Pmod-Compatible Add-Ons Currently Available

Form Factor	Part Number	Description
Arduino Shield	EVAL-CN0216-ARDZ	Precision weigh scale design using the AD7791 24-bit, Σ - Δ ADC with external ADA4528-1 zero-drift amplifiers
	EVAL-CN0357-ARDZ	Low noise, single-supply, toxic gas detector using an electrochemical sensor with programmable gain TIA for rapid prototyping
	EVAL-CN0391-ARDZ	Flexible, low power, 4-channel thermocouple system with digital interface
	EVAL-CN0396-ARDZ	Dual electrochemical gas sensor with temperature compensation
	EVAL-CN0397-ARDZ	Ultralow power light recognition system for smart agriculture
	EVAL-CN0398-ARDZ	Soil moisture and pH measurement system with temperature compensation
	EVAL-ADXL362-ARDZ	Ultralow power accelerometer with display
Pmod-Compatible	EVAL-CN0326-PMDZ	Isolated, low power pH monitor with temperature compensation
	EVAL-CN0336-PMDZ	12-bit, 300 kSPS, single-supply, fully isolated data acquisition system for 4 mA to 20 mA inputs
	EVAL-CN0337-PMDZ	12-bit, 300 kSPS, single-supply, fully isolated RTD temperature measurement system with 3-wire compensation



For additional information, please reference the ADICUP3029 product page at: analog.com/eval-adicup3029. More Arduino shields and Pmod-compatible boards coming soon!

EngineerZone® Online Support Community

Engage with the Analog Devices technology experts in our online support community. Ask your tough design questions, browse FAQs, or join a conversation.



[Visit ez.analog.com](http://ez.analog.com)

Circuits from the Lab Reference Designs

Circuits from the Lab® reference designs are built and tested by ADI engineers with comprehensive documentation and factory-tested evaluation hardware.

Circuits from the Lab®
Reference Designs

[Visit analog.com/cftl](http://analog.com/cftl)

Analog Devices, Inc. Worldwide Headquarters

Analog Devices, Inc.
One Technology Way
P.O. Box 9106
Norwood, MA 02062-9106
U.S.A.
Tel: 781.329.4700
(800.262.5643, U.S.A. only)
Fax: 781.461.3113

Analog Devices, Inc. Europe Headquarters

Analog Devices GmbH
Ott-Aicher-Str. 60-64
80807 München
Germany
Tel: 49.89.76903.0
Fax: 49.89.76903.157

Analog Devices, Inc. Japan Headquarters

Analog Devices, KK
New Pier Takeshiba
South Tower Building
1-16-1 Kaigan, Minato-ku,
Tokyo, 105-6891
Japan
Tel: 813.5402.8200
Fax: 813.5402.1064

Analog Devices, Inc. Asia Pacific Headquarters

Analog Devices
5F, Sandhill Plaza
2290 Zuchongzhi Road
Zhangjiang Hi-Tech Park
Pudong New District
Shanghai, China 201203
Tel: 86.21.2320.8000
Fax: 86.21.2320.8222

©2017 Analog Devices, Inc. All rights reserved. Trademarks and registered trademarks are the property of their respective owners. Ahead of What's Possible is a trademark of Analog Devices. PH15646-2-4/17

analog.com

