

THIS DRAWING IS UNPUBLISHED.

RELEASED FOR PUBLICATION

20

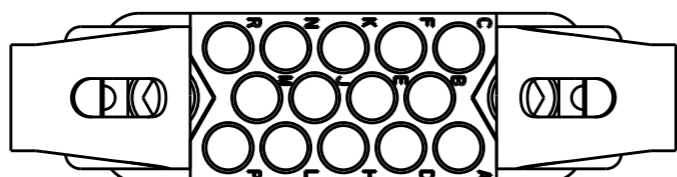
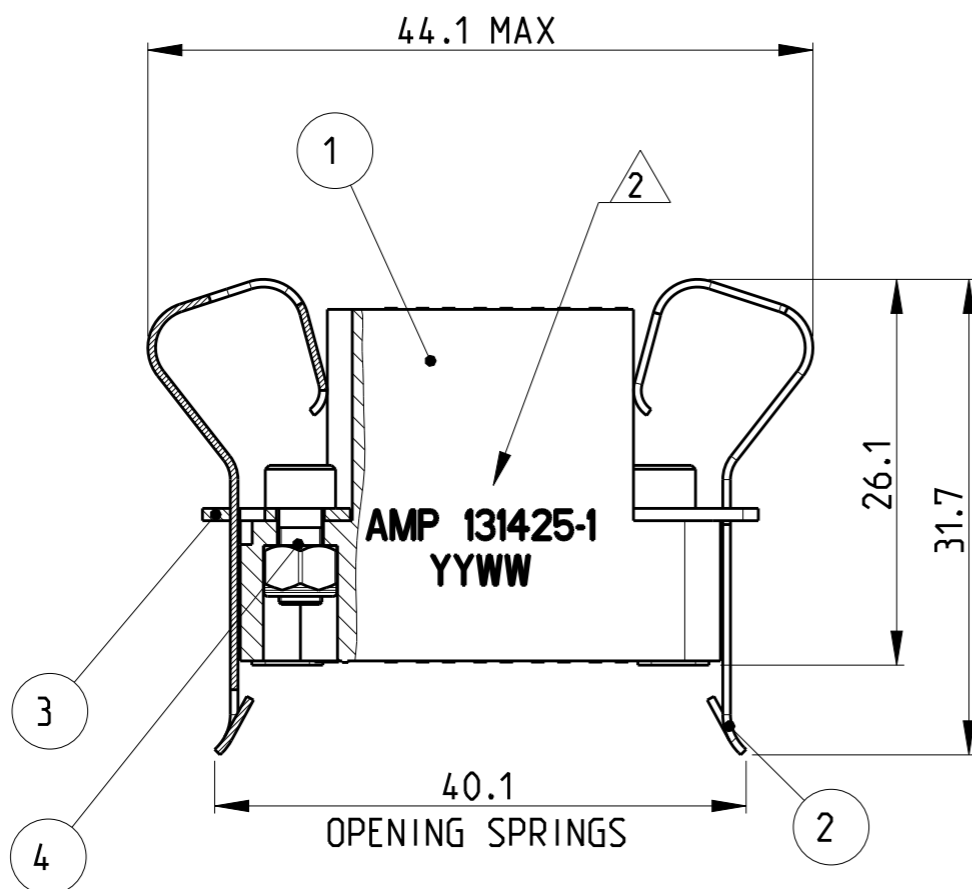
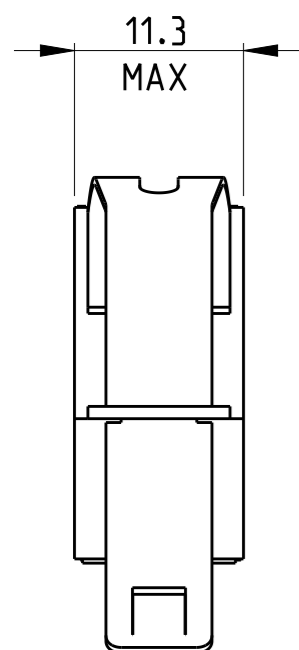
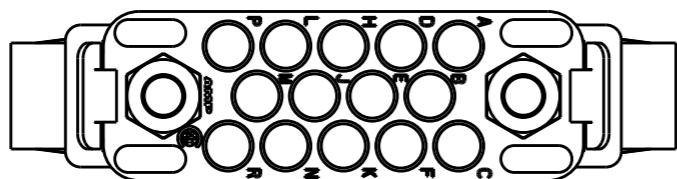
© COPYRIGHT 20 BY -

ALL RIGHTS RESERVED.

LOC F DIST 00

REVISIONS

P	LTR	DESCRIPTION	DATE	DWN	APVD
	B	REDRAWN ON CAD WITHOUT PRODUCT CHANGE	11OCT2012	TC	YP



1. MATERIAL:  
HOUSING: PHENOLIC, COLOR BLACK  
CONTACTS: BRASS, GOLD PLATED

2. MARKING:  
AMP, PART NUMBER (131425-1)  
DATE-CODE (YEAR, WEEK)

-	14	-	200333-1	IN A SEPARATE BAG	SOCKET CONTACT #16 (AWG 18-16)	-
14	-	-	130743-1	IN A SEPARATE BAG	SOCKET CONTACT #16 (AWG 22-18)	-
1	1	-	131425-1	WITHOUT CONTACT	GROUNDING CONNECTOR	-
-	-	2	-	CONNECTOR SUPPLIED ASSEMBLED	FASTENER	4
-	-	2	-		YOKE	3
-	-	2	-		SPRING	2
-	-	1	-		HOUSING 14 POS.	1
131425-3	131425-2	131425-1	PART NUMBER	OBSERVATION	DESCRIPTION	ITEM

THIS DRAWING IS A CONTROLLED DOCUMENT.

DIMENSIONS:	TOLERANCES UNLESS OTHERWISE SPECIFIED:
mm	
0 PLC	±0.3
1 PLC	±0.3
2 PLC	±0.3
3 PLC	±
4 PLC	±
ANGLES	±5°
MATERIAL	FINISH

DWN	T. CORRIOU	21SEP2012
CHK	J. THUEZ	21SEP2012
APVD	Y. PETRONIN	21SEP2012
PRODUCT SPEC	-	-
APPLICATION SPEC	-	-
WEIGHT	-	-

**TE** TE Connectivity

NAME: CONNECTOR, GROUNDING, 14 POS.

SIZE	CAGE CODE	DRAWING NO	RESTRICTED TO
A3	00779	C-131425	-