



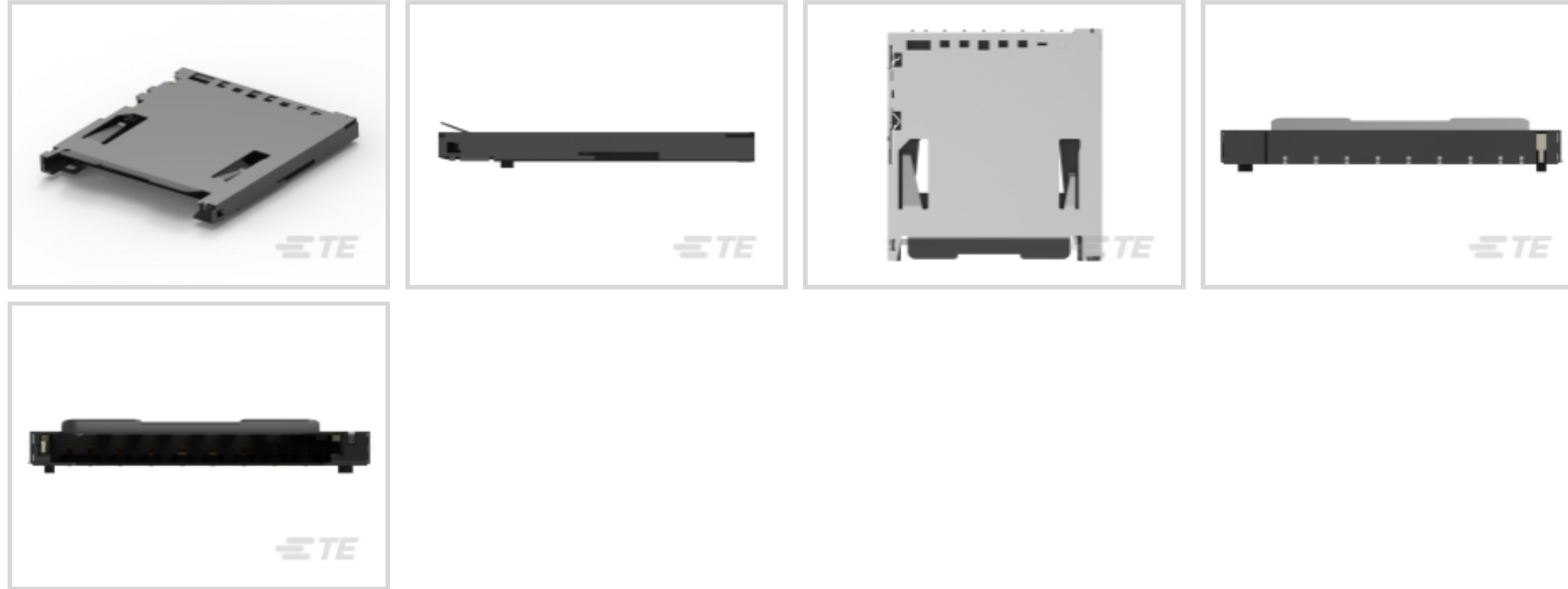
TE Internal #: 1939870-1

Secure Digital Compatible Card, 9 Position, 1.7 mm / 2.4 mm / 2.5 mm [.06 in / .09 in / .1 in] Centerline, Right Angle, SD Card

Connectors

[View on TE.com >](#)

Connectors > PCB Connectors > Memory Card Connectors > SD Card Connectors



Compatible Card: **Secure Digital**

Number of Positions: **9**

Centerline (Pitch): **1.7 mm, 2.4 mm, 2.5 mm [.06 in, .09 in, .1 in]**

PCB Mount Orientation: **Right Angle**

Operating Temperature Range: **-25 – 85 °C [-13 – 185 °F]**

Features

Product Type Features

Connector & Contact Terminates To	Printed Circuit Board
Compatible Card	Secure Digital

Configuration Features

Number of Rows	1
Number of Positions	9
PCB Mount Orientation	Right Angle

Body Features

Primary Product Color	Black
-----------------------	-------

Contact Features

Contact Layout	Inline
Contact Mating Area Plating Material Thickness	.2 – .5 µm
Contact Mating Area Plating Material	Gold
Contact Underplating Material	Nickel
PCB Contact Termination Area Plating Material	Tin



Contact Base Material	Copper Alloy
-----------------------	--------------

Contact Current Rating (Max)	.5 A
------------------------------	------

Termination Features

Termination Method to PCB	Surface Mount
---------------------------	---------------

Mechanical Attachment

Connector Mounting Type	Board Mount
-------------------------	-------------

Housing Features

Shell Material	Copper Alloy
----------------	--------------

Housing Material	LCP (Liquid Crystal Polymer)
------------------	------------------------------

Centerline (Pitch)	1.7 mm, 2.4 mm, 2.5 mm [.06 in][.09 in][.1 in]
--------------------	--

Dimensions

Profile Height from PCB	2.95 mm [.116 in]
-------------------------	-------------------

Usage Conditions

Operating Temperature Range	-25 – 85 °C [-13 – 185 °F]
-----------------------------	----------------------------

Operation/Application

Circuit Application	Signal
---------------------	--------

Industry Standards

UL Flammability Rating	UL 94V-0
------------------------	----------

Packaging Features

Packaging Method	Tape & Reel
------------------	-------------

Product Compliance

[For compliance documentation, visit the product page on TE.com>](#)

EU RoHS Directive 2011/65/EU	Compliant
------------------------------	-----------

EU ELV Directive 2000/53/EC	Compliant
-----------------------------	-----------

China RoHS 2 Directive MIIT Order No 32, 2016	No Restricted Materials Above Threshold
---	---

EU REACH Regulation (EC) No. 1907/2006	Current ECHA Candidate List: JUNE 2024 (241) Candidate List Declared Against: JAN 2023 (233) Does not contain REACH SVHC
--	--

Halogen Content	Low Halogen - Br, Cl, F, I < 900 ppm per homogenous material. Also BFR/CFR/PVC Free
-----------------	---

Solder Process Capability

Reflow solder capable to 245°C

Product Compliance Disclaimer

This information is provided based on reasonable inquiry of our suppliers and represents our current actual knowledge based on the information they provided. This information is subject to change. The part numbers that TE has identified as EU RoHS compliant have a maximum concentration of 0.1% by weight in homogenous materials for lead, hexavalent chromium, mercury, PBB, PBDE, DBP, BBP, DEHP, DIBP, and 0.01% for cadmium, or qualify for an exemption to these limits as defined in the Annexes of Directive 2011/65/EU (RoHS2). Finished electrical and electronic equipment products will be CE marked as required by Directive 2011/65/EU. Components may not be CE marked. Additionally, the part numbers that TE has identified as EU ELV compliant have a maximum concentration of 0.1% by weight in homogenous materials for lead, hexavalent chromium, and mercury, and 0.01% for cadmium, or qualify for an exemption to these limits as defined in the Annexes of Directive 2000/53/EC (ELV). Regarding the REACH Regulation, the information TE provides on SVHC in articles for this part number is based on the latest European Chemicals Agency (ECHA) 'Guidance on requirements for substances in articles' posted at this URL: <https://echa.europa.eu/guidance-documents/guidance-on-reach>

Compatible Parts



TE Part # 1939115-1
SD CONN STD EMBOSS W/B REVERSE



TE Part # 1871916-1
SD RVS 0H EMBOSS ASSY



TE Part # 1-1775059-1
SD CONN RVS PUSH-PUSH 30u" Au"

Customers Also Bought




TE Part #826925-5
5P MOD2 STIFT LEI



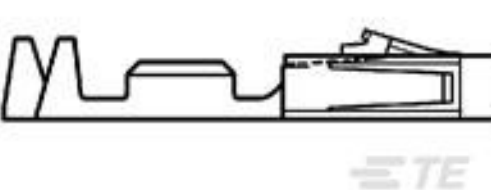
TE Part #1571983-3
GDH02STR04=DIP SWITCH



TE Part #5650963-5
ASSY,RECEPTACLE,EUROCARD,TYPE



TE Part #104479-8
SHORT POINT CONT PLTD SN



TE Part #1-104479-1
SHORT POINT RECP CONT LP



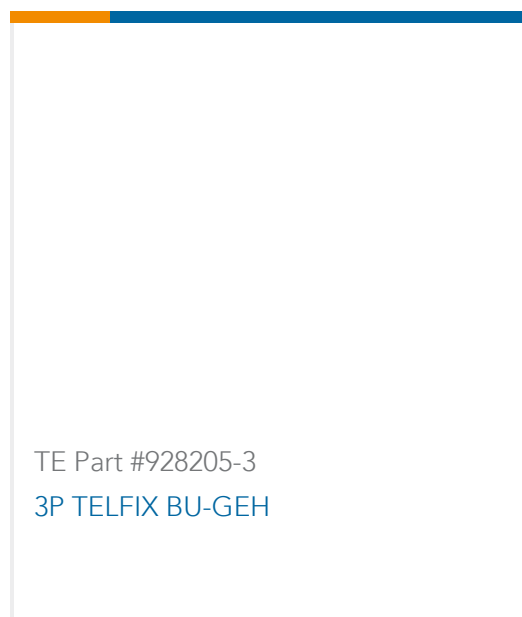
TE Part #4-2176345-4
CRGCQ 1210 39K 1%



TE Part #1376421-1
10mm B-T-W Conn. 2P HDR ASSEMB



TE Part #3-2232511-7
7P, RAST 5 TAB HEADER, THV



Documents

Product Drawings

[SD CARD CONNECTOR EMBOSS ASSY](#)

Japanese

CAD Files

Customer View Model

[ENG_CVM_CVM_1939870-1_B.2d_dxf.zip](#)

English

[3D PDF](#)

3D

Customer View Model

[ENG_CVM_CVM_1939870-1_B.3d_igs.zip](#)

English

Customer View Model

[ENG_CVM_CVM_1939870-1_B.3d_stp.zip](#)

English

By downloading the CAD file I accept and agree to the [Terms and Conditions](#) of use.

Product Specifications

[Product Specification](#)

English

[Product Specification](#)

English