

# Power Chokes – Vertical Mount

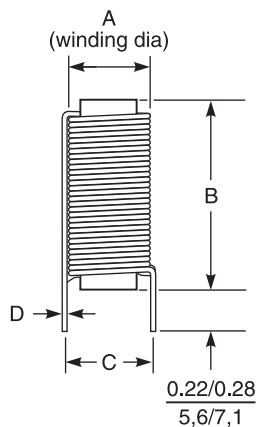


The Coilcraft PCV power chokes are low cost power inductors whose simple design provides rugged reliability and performance. They feature 130°C class insulation and are available in a wide range of standard values.

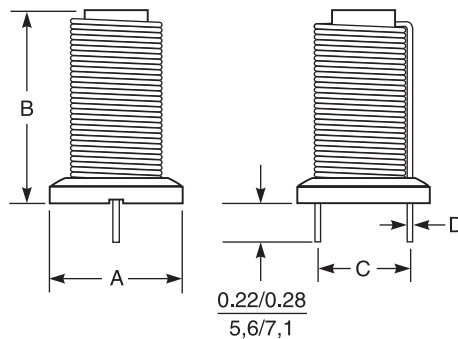
The open core construction provides the highest saturation current available in a low cost power choke. These parts use a ferrite bobbin core to provide the highest possible inductance at the lowest cost. The PCV-1 Series incorporates a plastic mounting header for maximum lead protection and consistency.

Coilcraft **Designer's Kit P405** contains samples of the part numbers shown in bold from the PCV-0 and PCV-2 series. Contact Coilcraft or visit <http://order.coilcraft.com> to purchase on-line.

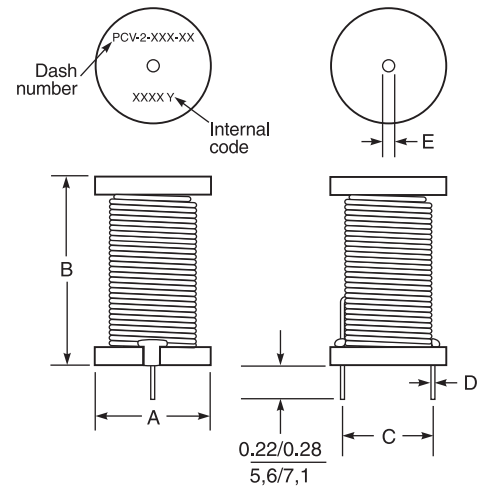
## PCV-0 Series



## PCV-1 Series



## PCV-2 Series



Dimensions are in  $\frac{\text{inches}}{\text{mm}}$

**Terminations:** Tin-silver (96.5/3.5) over copper  
See last page for packaging information.



# Power Chokes – Vertical Mount

| Part number          | Inductance <sup>1</sup><br>(µH) | Irms <sup>2</sup><br>(A) | DCR max<br>(Ohms) | A max<br>(in/mm) | B max<br>(in/mm) | C ±0.015/0,38<br>(in/mm) | D ±0.004/0,10<br>(in/mm) | Weight<br>(g) |
|----------------------|---------------------------------|--------------------------|-------------------|------------------|------------------|--------------------------|--------------------------|---------------|
| <b>PCV-0 Series</b>  |                                 |                          |                   |                  |                  |                          |                          |               |
| PCV-0-102-25L        | 1.0 ±15%                        | 21.8                     | 0.002             | 0.60/15,2        | 0.68/17,3        | 0.42/10,7                | 0.068/1,73               | 5.6           |
| PCV-0-102-10L        | 1.0 ±15%                        | 16.7                     | 0.003             | 0.50/12,7        | 0.75/19,1        | 0.42/10,7                | 0.054/1,37               | 4.2           |
| PCV-0-332-10L        | 3.3 ±15%                        | 12.7                     | 0.005             | 0.50/12,7        | 1.0/25,4         | 0.42/10,7                | 0.054/1,37               | 6.7           |
| <b>PCV-0-472-03L</b> | 4.7 ±15%                        | 7.4                      | 0.021             | 0.51/13,0        | 0.75/19,1        | 0.42/10,7                | 0.035/0,89               | 3.7           |
| <b>PCV-0-472-05L</b> | 4.7 ±15%                        | 8.9                      | 0.012             | 0.50/12,7        | 0.75/19,1        | 0.42/10,7                | 0.042/1,07               | 5.0           |
| <b>PCV-0-472-10L</b> | 4.7 ±15%                        | 11.9                     | 0.012             | 0.50/12,7        | 1.0/25,4         | 0.42/10,7                | 0.054/1,37               | 7.5           |
| PCV-0-472-20L        | 4.7 ±15%                        | 16.4                     | 0.004             | 0.53/13,5        | 1.2/30,5         | 0.42/10,7                | 0.068/1,73               | 11.9          |
| <b>PCV-0-103-03L</b> | 10 ±10%                         | 5.9                      | 0.023             | 0.50/12,7        | 0.75/19,1        | 0.42/10,7                | 0.035/0,89               | 4.4           |
| <b>PCV-0-103-05L</b> | 10 ±10%                         | 7.1                      | 0.017             | 0.50/12,7        | 0.75/19,1        | 0.42/10,7                | 0.042/1,07               | 6.4           |
| <b>PCV-0-103-10L</b> | 10 ±10%                         | 11.8                     | 0.015             | 0.52/13,2        | 1.0/25,4         | 0.42/10,7                | 0.054/1,37               | 9.5           |
| PCV-0-103-20L        | 10 ±10%                         | 17.0                     | 0.006             | 0.75/19,1        | 1.8/45,7         | 0.60/15,2                | 0.075/1,91               | 28.6          |
| PCV-0-153-03L        | 15 ±10%                         | 6.8                      | 0.025             | 0.50/12,7        | 1.0/25,4         | 0.42/10,7                | 0.035/0,89               | 5.9           |
| PCV-0-153-10L        | 15 ±10%                         | 9.8                      | 0.020             | 0.52/13,2        | 1.0/25,4         | 0.42/10,7                | 0.054/1,37               | 11.3          |
| <b>PCV-0-223-03L</b> | 22 ±10%                         | 7.4                      | 0.035             | 0.50/12,7        | 1.0/25,4         | 0.42/10,7                | 0.035/0,89               | 6.4           |
| <b>PCV-0-223-05L</b> | 22 ±10%                         | 8.9                      | 0.023             | 0.50/12,7        | 1.0/25,4         | 0.42/10,7                | 0.042/1,07               | 9.3           |
| <b>PCV-0-223-10L</b> | 22 ±10%                         | 13.0                     | 0.015             | 0.66/16,8        | 1.3/33,0         | 0.42/10,7                | 0.060/1,52               | 21.0          |
| PCV-0-273-05L        | 27 ±10%                         | 7.1                      | 0.024             | 0.50/12,7        | 1.0/25,4         | 0.49/12,5                | 0.042/1,07               | 10.3          |
| PCV-0-333-12L        | 33 ±10%                         | 11.0                     | 0.017             | 0.70/17,8        | 1.3/33,0         | 0.55/14,0                | 0.060/1,52               | 29.3          |
| <b>PCV-0-473-03L</b> | 47 ±10%                         | 4.3                      | 0.050             | 0.55/14,0        | 1.0/25,4         | 0.42/10,7                | 0.035/0,89               | 8.5           |
| <b>PCV-0-473-05L</b> | 47 ±10%                         | 6.0                      | 0.035             | 0.65/16,5        | 1.1/28,0         | 0.70/17,8                | 0.042/1,07               | 13.1          |
| <b>PCV-0-473-10L</b> | 47 ±10%                         | 8.7                      | 0.022             | 0.85/21,6        | 1.3/33,0         | 0.70/17,8                | 0.060/1,52               | 31.4          |
| PCV-0-823-03L        | 82 ±10%                         | 2.8                      | 0.110             | 0.50/12,7        | 0.65/16,5        | 0.375/9,5                | 0.028/0,71               | 7.0           |
| PCV-0-104-01L        | 100 ±10%                        | 1.8                      | 0.190             | 0.40/10,2        | 0.90/22,9        | 0.30/7,6                 | 0.020/0,51               | 5.0           |
| <b>PCV-0-104-03L</b> | 100 ±10%                        | 3.8                      | 0.072             | 0.55/14,0        | 1.2/30,5         | 0.70/17,8                | 0.035/0,89               | 11.6          |
| <b>PCV-0-104-05L</b> | 100 ±10%                        | 5.5                      | 0.055             | 0.65/16,5        | 1.3/33,0         | 0.70/17,8                | 0.042/1,07               | 21.3          |
| PCV-0-154-03L        | 150 ±10%                        | 2.8                      | 0.140             | 0.60/15,2        | 1.2/30,5         | 0.43/10,9                | 0.028/0,71               | 11.8          |
| PCV-0-154-05L        | 150 ±10%                        | 5.2                      | 0.065             | 0.68/17,3        | 1.3/33,0         | 0.70/17,8                | 0.042/1,07               | 26.4          |
| PCV-0-184-05L        | 180 ±10%                        | 3.3                      | 0.110             | 0.60/15,2        | 1.2/30,5         | 0.43/10,9                | 0.035/0,89               | 17.9          |
| PCV-0-224-03L        | 220 ±10%                        | 2.1                      | 0.210             | 0.55/14,0        | 1.2/30,5         | 0.42/10,7                | 0.025/0,64               | 8.9           |
| PCV-0-274-04L        | 270 ±10%                        | 2.1                      | 0.250             | 0.95/24,0        | 0.72/18,3        | 0.71/18,0                | 0.030/0,76               | 26.8          |
| PCV-0-274-10L        | 270 ±10%                        | 3.6                      | 0.160             | 1.1/28,0         | 1.0/25,4         | 0.72/18,3                | 0.038/0,97               | 38.8          |
| PCV-0-394-03L        | 390 ±10%                        | 3.0                      | 0.250             | 1.1/28,0         | 1.0/25,4         | 0.72/18,3                | 0.035/0,89               | 37.1          |
| PCV-0-394-05L        | 390 ±10%                        | 3.1                      | 0.190             | 1.1/28,0         | 1.0/25,4         | 0.72/18,3                | 0.038/0,97               | 45.4          |
| <b>PCV-1 Series</b>  |                                 |                          |                   |                  |                  |                          |                          |               |
| PCV-1-152-15L        | 1.5 ±15%                        | 18.2                     | 0.003             | 0.65/16,5        | 0.90/22,9        | 0.42/10,7                | 0.068/1,73               | 8.0           |
| PCV-1-182-10L        | 1.8 ±15%                        | 18.2                     | 0.006             | 0.65/16,5        | 1.1/27,9         | 0.42/10,7                | 0.054/1,37               | 6.2           |
| PCV-1-182-15L        | 1.8 ±15%                        | 19.3                     | 0.003             | 0.65/16,5        | 1.1/27,9         | 0.42/10,7                | 0.068/1,73               | 8.5           |
| PCV-1-472-03L        | 4.7 ±15%                        | 7.5                      | 0.021             | 0.62/15,7        | 0.85/21,6        | 0.42/10,7                | 0.035/0,89               | 5.2           |
| PCV-1-472-05L        | 4.7 ±15%                        | 9.1                      | 0.012             | 0.62/15,7        | 0.85/21,6        | 0.42/10,7                | 0.042/1,07               | 5.6           |
| PCV-1-472-10L        | 4.7 ±15%                        | 11.8                     | 0.012             | 0.62/15,7        | 1.1/27,9         | 0.42/10,7                | 0.054/1,37               | 8.5           |
| PCV-1-103-03L        | 10 ±10%                         | 6.0                      | 0.026             | 0.63/16,0        | 0.85/21,6        | 0.42/10,7                | 0.035/0,89               | 4.4           |
| PCV-1-103-05L        | 10 ±10%                         | 7.1                      | 0.020             | 0.62/15,7        | 0.85/21,6        | 0.42/10,7                | 0.042/1,07               | 7.5           |
| PCV-1-103-10L        | 10 ±10%                         | 10.9                     | 0.013             | 0.63/16,0        | 1.1/27,9         | 0.42/10,7                | 0.054/1,37               | 5.2           |
| PCV-1-153-10L        | 15 ±10%                         | 11.8                     | 0.020             | 0.70/17,8        | 1.4/35,6         | 0.42/10,7                | 0.060/1,52               | 18.4          |
| PCV-1-223-03L        | 22 ±10%                         | 5.5                      | 0.035             | 0.62/15,7        | 1.1/27,9         | 0.42/10,7                | 0.035/0,89               | 7.4           |
| PCV-1-223-05L        | 22 ±10%                         | 6.9                      | 0.023             | 0.62/15,7        | 1.1/27,9         | 0.42/10,7                | 0.042/1,07               | 10.2          |
| PCV-1-223-10L        | 22 ±10%                         | 10.4                     | 0.018             | 0.70/17,8        | 1.4/35,6         | 0.42/10,7                | 0.060/1,52               | 21.8          |
| PCV-1-473-03L        | 47 ±10%                         | 5.3                      | 0.050             | 0.65/16,5        | 1.1/27,9         | 0.42/10,7                | 0.035/0,89               | 9.6           |
| PCV-1-473-05L        | 47 ±10%                         | 6.3                      | 0.033             | 0.90/22,9        | 1.2/30,5         | 0.70/17,8                | 0.042/1,07               | 14.9          |
| PCV-1-473-10L        | 47 ±10%                         | 8.2                      | 0.022             | 0.90/22,9        | 1.4/35,6         | 0.70/17,8                | 0.060/1,52               | 32.9          |
| PCV-1-104-03L        | 100 ±10%                        | 3.4                      | 0.072             | 0.90/22,9        | 1.3/33,1         | 0.70/17,8                | 0.035/0,89               | 13.3          |
| PCV-1-104-05L        | 100 ±10%                        | 4.9                      | 0.055             | 0.90/22,9        | 1.4/35,6         | 0.70/17,8                | 0.042/1,07               | 22.9          |
| PCV-1-184-03L        | 180 ±10%                        | 2.8                      | 0.150             | 0.63/16,0        | 1.2/30,5         | 0.42/10,7                | 0.028/0,71               | 10.7          |
| PCV-1-304-05L        | 300 ±10%                        | 3.4                      | 0.160             | 1.1/27,9         | 1.0/25,4         | 0.70/17,8                | 0.038/0,97               | 41.1          |
| PCV-1-394-05L        | 390 ±10%                        | 3.0                      | 0.190             | 1.1/27,9         | 1.0/25,4         | 0.70/17,8                | 0.038/0,97               | 47.3          |



www.coilcraft.com

**US** +1-847-639-6400 sales@coilcraft.com  
**UK** +44-1236-730595 sales@coilcraft-europe.com  
**Taiwan** +886-2-2264 3646 sales@coilcraft.com.tw  
**China** +86-21-6218 8074 sales@coilcraft.com.cn  
**Singapore** + 65-6484 8412 sales@coilcraft.com.sg

Document 135-2 Revised 10/11/22

© Coilcraft Inc. 2022

This product may not be used in medical or high risk applications without prior Coilcraft approval. Specification subject to change without notice. Please check web site for latest information.

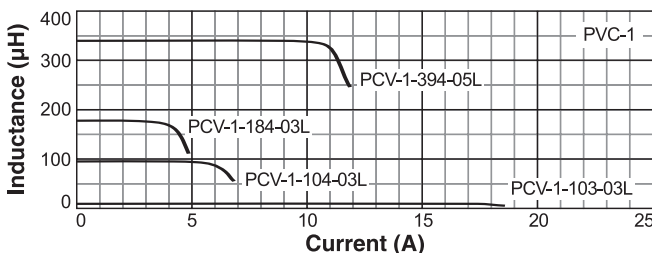
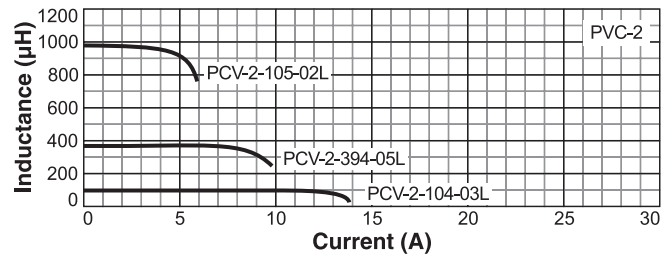
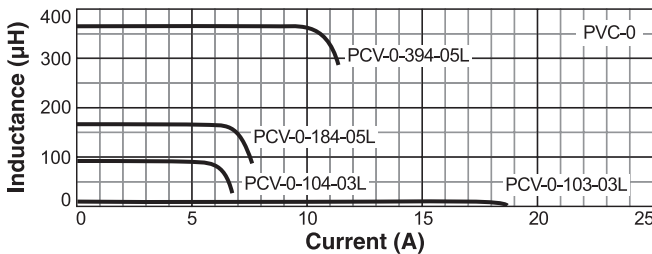


# Power Chokes – Vertical Mount

| Part number          | Inductance <sup>1</sup><br>±10% (µH) | Irms <sup>2</sup><br>(A) | DCR max<br>(Ohms) | A max<br>(in/mm) | B max<br>(in/mm) | C ±0.015/0,38<br>(in/mm) | D ±0.004/0,10<br>(in/mm) | E min<br>(in/mm) | Weight<br>(g) |
|----------------------|--------------------------------------|--------------------------|-------------------|------------------|------------------|--------------------------|--------------------------|------------------|---------------|
| <b>PCV-2 Series</b>  |                                      |                          |                   |                  |                  |                          |                          |                  |               |
| PCV-2-103-05L        | 10                                   | 10.5                     | 0.015             | 0.61/15,49       | 0.83/21,08       | 0.42/10,67               | 0.042/1,07               | 0.116/2,95       | 11.8          |
| PCV-2-103-10L        | 10                                   | 11.8                     | 0.010             | 0.61/15,49       | 0.83/21,08       | 0.50/12,70               | 0.054/1,37               | 0.116/2,95       | 11.8          |
| PCV-2-223-05L        | 22                                   | 7.6                      | 0.020             | 0.61/15,49       | 0.83/21,08       | 0.42/10,67               | 0.042/1,07               | 0.116/2,95       | 13.7          |
| PCV-2-223-10L        | 22                                   | 10.3                     | 0.015             | 0.86/21,84       | 0.83/21,08       | 0.58/14,73               | 0.054/1,37               | 0.116/2,95       | 23.3          |
| PCV-2-473-05L        | 47                                   | 5.0                      | 0.035             | 0.70/17,78       | 0.83/21,08       | 0.48/12,19               | 0.038/0,97               | 0.116/2,95       | 14.8          |
| PCV-2-473-10L        | 47                                   | 9.6                      | 0.020             | 1.00/25,40       | 0.83/21,08       | 0.70/17,78               | 0.054/1,37               | 0.116/2,95       | 36.9          |
| PCV-2-104-03L        | 100                                  | 4.4                      | 0.080             | 0.84/21,34       | 0.83/21,08       | 0.58/14,73               | 0.031/0,79               | 0.116/2,95       | 19.2          |
| PCV-2-104-05L        | 100                                  | 5.6                      | 0.048             | 0.84/21,34       | 0.83/21,08       | 0.70/17,78               | 0.042/1,07               | 0.116/2,95       | 19.0          |
| <b>PCV-2-104-10L</b> | 100                                  | 10.1                     | 0.032             | 1.05/26,67       | 1.00/25,40       | 0.88/22,35               | 0.054/1,37               | 0.116/2,95       | 46.6          |
| PCV-2-184-05L        | 180                                  | 4.0                      | 0.092             | 0.80/20,32       | 0.90/22,86       | 0.58/14,73               | 0.035/0,89               | 0.116/2,95       | 25.1          |
| PCV-2-184-10L        | 180                                  | 8.0                      | 0.048             | 1.44/36,58       | 1.05/26,67       | 1.05/26,67               | 0.054/1,37               | 0.175/4,45       | 93.8          |
| PCV-2-224-05L        | 220                                  | 6.6                      | 0.075             | 1.05/26,67       | 1.00/25,40       | 0.75/19,05               | 0.042/1,07               | 0.116/2,95       | 40.0          |
| <b>PCV-2-274-03L</b> | 270                                  | 4.3                      | 0.130             | 1.00/25,40       | 0.83/21,08       | 0.75/19,05               | 0.035/0,89               | 0.116/2,95       | 35.7          |
| <b>PCV-2-274-05L</b> | 270                                  | 5.2                      | 0.080             | 1.05/26,67       | 1.00/25,40       | 0.80/20,32               | 0.042/1,07               | 0.116/2,95       | 47.8          |
| <b>PCV-2-274-10L</b> | 270                                  | 7.2                      | 0.060             | 1.50/38,10       | 1.05/26,67       | 1.08/27,43               | 0.054/1,37               | 0.175/4,45       | 103.0         |
| PCV-2-394-05L        | 390                                  | 3.9                      | 0.130             | 1.10/29,34       | 0.83/21,08       | 0.85/21,59               | 0.038/0,97               | 0.116/2,95       | 42.3          |
| PCV-2-564-02L        | 560                                  | 2.6                      | 0.270             | 0.80/20,32       | 0.90/22,86       | 0.57/14,48               | 0.028/0,71               | 0.116/2,95       | 26.8          |
| PCV-2-564-06L        | 560                                  | 4.0                      | 0.170             | 1.21/30,73       | 1.05/26,67       | 0.90/22,86               | 0.038/0,97               | 0.116/2,95       | 66.4          |
| PCV-2-564-08L        | 560                                  | 7.0                      | 0.090             | 1.50/38,10       | 1.43/36,32       | 1.08/27,43               | 0.054/1,37               | 0.175/4,45       | 135.6         |
| PCV-2-684-01L        | 680                                  | 1.3                      | 0.700             | 0.70/17,78       | 0.83/21,08       | 0.50/12,70               | 0.018/0,46               | 0.116/2,95       | 12.5          |
| PCV-2-105-02L        | 1000                                 | 2.3                      | 0.370             | 1.00/25,40       | 0.83/21,08       | 0.72/18,29               | 0.028/0,71               | 0.116/2,95       | 39.2          |

1. Tested at 15.75 kHz, 0.1 Vrms, with DC bias applied up to the Irms current.
2. Current that causes a 40°C temperature rise from 25°C ambient.
3. **Ambient temperature range:** -40°C to +85°C with Irms current
4. **Storage temperature range:** Component: -40°C to +125°C  
Tray packaging: -40°C to +80°C
5. Electrical specifications at 25°C.
6. Parts in bold type are included in Coilcraft Designer's Kit P405.

## Typical L vs Current



**US** +1-847-639-6400 sales@coilcraft.com  
**UK** +44-1236-730595 sales@coilcraft-europe.com  
**Taiwan** +886-2-2264 3646 sales@coilcraft.com.tw  
**China** +86-21-6218 8074 sales@coilcraft.com.cn  
**Singapore** + 65-6484 8412 sales@coilcraft.com.sg

Document 135-3 Revised 10/11/22  
 © Coilcraft Inc. 2022  
 This product may not be used in medical or high risk applications without prior Coilcraft approval. Specification subject to change without notice. Please check web site for latest information.

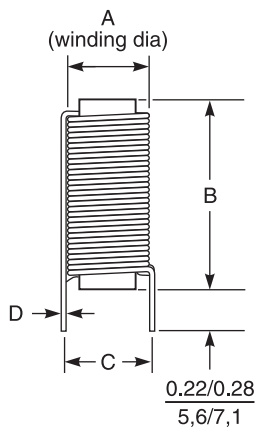


# Power Chokes – Vertical Mount

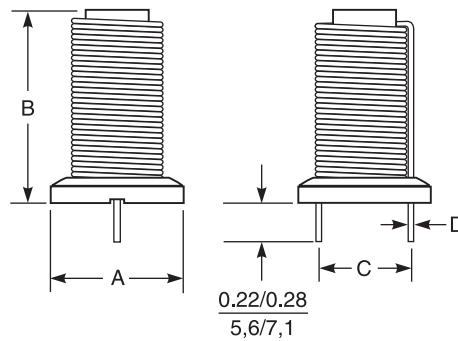
## Tray and carton packaging

| Part number   | Parts per tray | Maximum parts per carton | Part number   | Parts per tray | Maximum parts per carton | Part number   | Parts per tray | Maximum parts per carton |
|---------------|----------------|--------------------------|---------------|----------------|--------------------------|---------------|----------------|--------------------------|
| PCV-0-102-10L | 49             | 245                      | PCV-1-103-03L | 49             | 245                      | PCV-2-103-05L | 49             | 245                      |
| PCV-0-102-25L | 49             | 294                      | PCV-1-103-05L | 49             | 245                      | PCV-2-103-10L | 49             | 245                      |
| PCV-0-103-03L | 49             | 245                      | PCV-1-103-10L | 49             | 196                      | PCV-2-104-03L | 49             | 245                      |
| PCV-0-103-05L | 49             | 245                      | PCV-1-104-03L | 49             | 245                      | PCV-2-104-05L | 49             | 245                      |
| PCV-0-103-10L | 49             | 196                      | PCV-1-104-05L | 100            | 200                      | PCV-2-104-10L | 49             | 245                      |
| PCV-0-103-20L | 49             | 196                      | PCV-1-152-15L | 49             | 245                      | PCV-2-105-02L | 49             | 245                      |
| PCV-0-104-01L | 49             | 245                      | PCV-1-153-10L | 49             | 147                      | PCV-2-184-05L | 49             | 245                      |
| PCV-0-104-03L | 49             | 294                      | PCV-1-182-10L | 49             | 196                      | PCV-2-184-10L | 25             | 100                      |
| PCV-0-104-05L | 98             | 392                      | PCV-1-182-15L | 49             | 196                      | PCV-2-223-05L | 49             | 245                      |
| PCV-0-153-03L | 49             | 196                      | PCV-1-184-03L | 49             | 196                      | PCV-2-223-10L | 49             | 245                      |
| PCV-0-153-10L | 49             | 196                      | PCV-1-223-03L | 49             | 196                      | PCV-2-224-05L | 49             | 245                      |
| PCV-0-154-03L | 49             | 196                      | PCV-1-223-05L | 49             | 196                      | PCV-2-274-03L | 49             | 245                      |
| PCV-0-154-05L | 49             | 245                      | PCV-1-223-10L | 49             | 147                      | PCV-2-274-05L | 49             | 245                      |
| PCV-0-184-05L | 49             | 196                      | PCV-1-304-05L | 49             | 245                      | PCV-2-274-10L | 25             | 100                      |
| PCV-0-223-03L | 49             | 196                      | PCV-1-394-05L | 49             | 245                      | PCV-2-394-05L | 25             | 125                      |
| PCV-0-223-05L | 49             | 196                      | PCV-1-472-03L | 49             | 245                      | PCV-2-473-05L | 49             | 245                      |
| PCV-0-223-10L | 49             | 147                      | PCV-1-472-05L | 49             | 245                      | PCV-2-473-10L | 49             | 245                      |
| PCV-0-224-03L | 49             | 196                      | PCV-1-472-10L | 49             | 196                      | PCV-2-564-02L | 49             | 245                      |
| PCV-0-273-05L | 49             | 196                      | PCV-1-473-03L | 49             | 196                      | PCV-2-564-06L | 25             | 100                      |
| PCV-0-274-04L | 49             | 245                      | PCV-1-473-05L | 49             | 245                      | PCV-2-564-08L | 25             | 100                      |
| PCV-0-274-10L | 49             | 245                      | PCV-1-473-10L | 49             | 245                      | PCV-2-684-01L | 49             | 245                      |
| PCV-0-332-10L | 49             | 196                      |               |                |                          |               |                |                          |
| PCV-0-333-12L | 49             | 245                      |               |                |                          |               |                |                          |
| PCV-0-394-03L | 49             | 245                      |               |                |                          |               |                |                          |
| PCV-0-394-05L | 49             | 245                      |               |                |                          |               |                |                          |
| PCV-0-472-03L | 49             | 245                      |               |                |                          |               |                |                          |
| PCV-0-472-05L | 49             | 245                      |               |                |                          |               |                |                          |
| PCV-0-472-10L | 49             | 196                      |               |                |                          |               |                |                          |
| PCV-0-472-20L | 49             | 196                      |               |                |                          |               |                |                          |
| PCV-0-473-03L | 49             | 196                      |               |                |                          |               |                |                          |
| PCV-0-473-05L | 98             | 392                      |               |                |                          |               |                |                          |
| PCV-0-473-10L | 49             | 245                      |               |                |                          |               |                |                          |
| PCV-0-823-03L | 49             | 294                      |               |                |                          |               |                |                          |

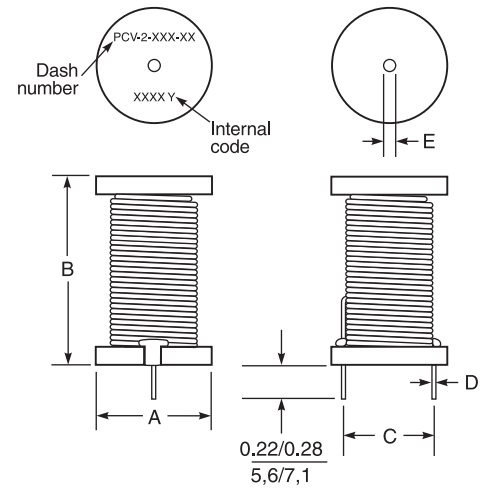
### PCV-0 Series



### PCV-1 Series



### PCV-2 Series



Dimensions are in  $\frac{\text{inches}}{\text{mm}}$   
**Terminations:** Tin-silver over copper



**US** +1-847-639-6400 sales@coilcraft.com  
**UK** +44-1236-730595 sales@coilcraft-europe.com  
**Taiwan** +886-2-2264 3646 sales@coilcraft.com.tw  
**China** +86-21-6218 8074 sales@coilcraft.com.cn  
**Singapore** + 65-6484 8412 sales@coilcraft.com.sg

Document 135-4 Revised 10/11/22  
 © Coilcraft Inc. 2022  
 This product may not be used in medical or high risk applications without prior Coilcraft approval. Specification subject to change without notice. Please check web site for latest information.