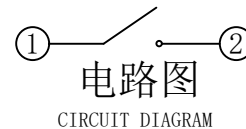
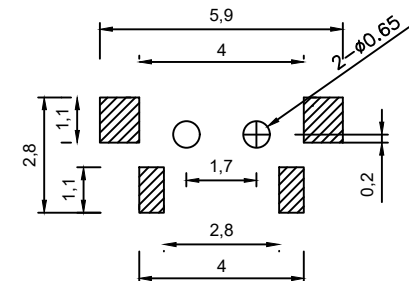
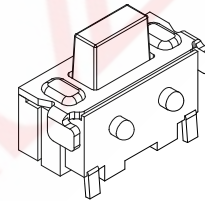
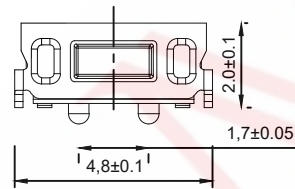
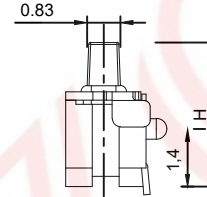
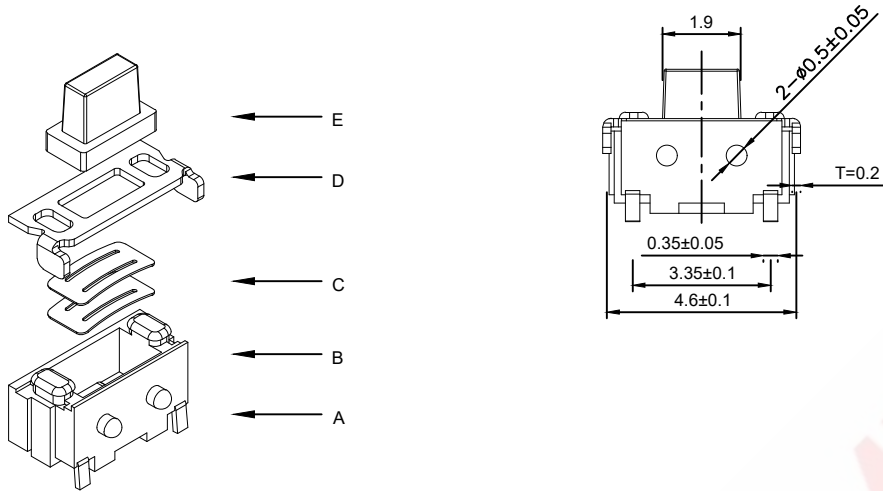


SAMZO REAC/ROHS

REV	ECN NO	DESCRIPTION	DESIGN	APPROVAL	DATE
A1	NEW	Replace frame			2018.06.12

主要技术参数、性能
The Main Technology Performance

额定电流、电压 Rate voltage, current	50mA DC12V
接触电阻 Contact resistance	≤100mΩ
按力 Operating force	±50gf
行程 Travel	0.20±0.10mm
绝缘电阻 Insulated resistance	≥100MΩ
介电强度 Dielectric strength	≥250VAC/1min



PCB. 焊接图
PCB. WELDING DRAWING

B	5	B	*	*	*	*	2	0
A	B	C	D	E	F	G	H	

- A. 系列: B-2*4mm系列
- B. 贴装方式: 5-卧式贴片
- C. 引脚规格: B-4P
- D. 操作高度: 32-3.2/35-3.5/38-3.8mm
- E. 操作力度: 1-180gf/2-260gf
- F. 操作寿命: 1-30,000次/2-50,000次
- G. 固定方式: 2-带住
- H. 物料编码: 0-常规

ITEM	DESCRIPTION	MATERIAL	QTY	FINISH/COLOR					FIRST VIEW				
E	按钮	LCP	1	黑色									
D	盖板	黄铜	1	镀银					GENERAL TOLERANCE SCALE 1:1 UNIT mm				
C	弹片	不锈钢	1	镀银	DESIGN	WANGGUIFA	2018.06.12	≥2~5<	±0.25	SAMZO COMPONENTS Electronic switch and connector manufacturer			
B	本件	LCP	1	白色	CHECKED	ZHENGUILAN	2018.06.12	≥0~2<	±0.15				
A	卡件	黄铜	1	镀银	APPROVED	LILIANJIANG	2018.06.14	≥5	±0.35				

The copyright belongs to samzo parts [China] Co., Ltd. please use the material after samzo parts agree to authorize. The final right of interpretation belongs to samzo parts.
WWW.KKK-JP.COM

TITLE::	2*4*H mm 4P-WT
DWG NO:	B5B35-P12
PART NO:	B5B353110
MODEL NO:	B5B**-*-20
NAME:	TACT SWITCH

SAMZO COMPONENTS
Electronic switch and connector manufacturer