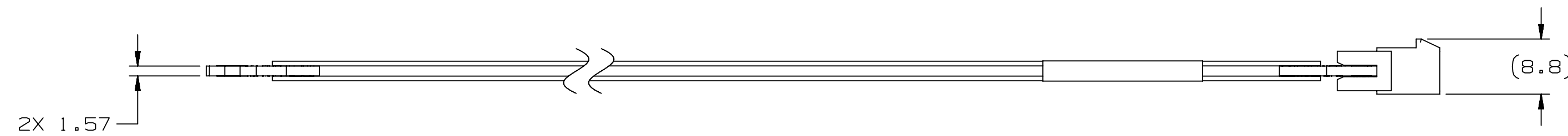
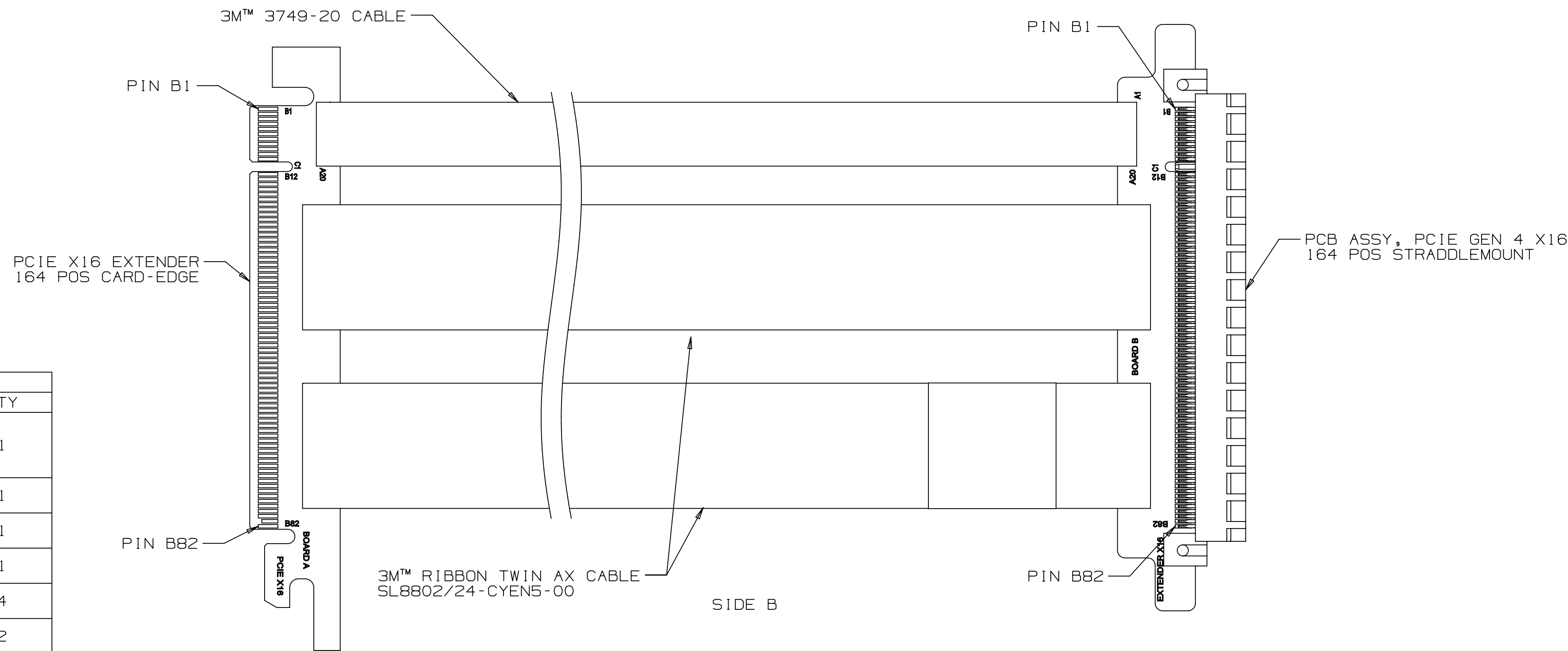
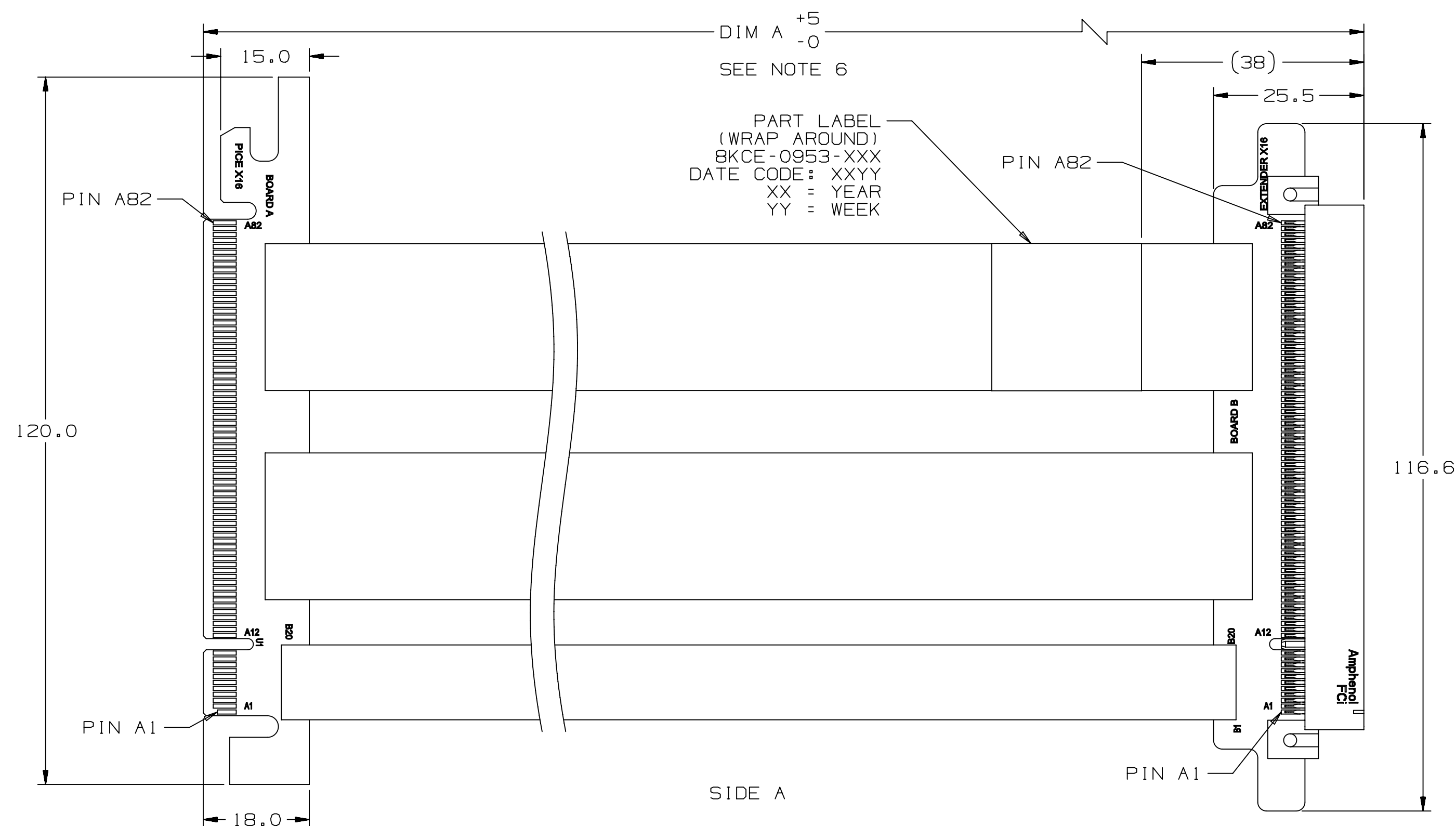


3M™ PCIe GEN 4 X16 EXTENDER TWIN AXIAL CABLE ASSEMBLY

BILL OF MATERIALS			
	ITEM	DESCRIPTION	QTY
1.0	PBA	PCB ASSY, PCIe GEN 4 X16 (164 POS) STRADDLEMOUNT 3M P/N: 78-9102-7903-9 3M DWG NO: 78-9102-7904-7	1
1.1	PCB	PCIe GEN 4 X16 (164 POS) STRADDLEMOUNT 3M P/N: 78-9102-6763-8	1
1.2	CONN	CONNECTOR, PCIe X16 164 POSITION, FEMALE SOCKET GEN5 STRADDLEMOUNT	1
2.0	PCB	PCIe X16 EXTENDER (164 POS) CARD-EDGE 3M P/N: 78-9102-6557-4	1
3.0	CABLE	RIBBON TWIN AX CABLE 3M P/N: SL8802/24-CYEN5-00	4
4.0	CABLE	RIBBON CABLE, 20 POSITION 3M P/N: 3749-20	2
5.0	STRAIN RELIEF	ADHESIVE	AS REQUIRED



3M PART NUMBER: 8KCE-0953-XXXX
LENGTH IN MILLIMETERS



- NOTES
- DIMENSIONS ARE IN MILLIMETERS.
 - 3M™ RIBBON TWINAX DESCRIPTION: 31 AWG, SILVER PLATED SIGNAL WIRE
 - REGULATORY INFORMATION: VISIT 3M.com/regs
 - THIS CABLE CONSTRUCTION HAS A THIN ALUMINUM INNER LAYER EXPOSED AT EACH EDGE. USERS SHOULD ASSESS WHETHER THE EXPOSED EDGE PRESENTS A SHORTING RISK IN THEIR SPECIFIC APPLICATION. INSULATING TAPE MAY BE APPLIED AT THE CABLE ASSEMBLY LEVEL, AS NEEDED, TO COVER THE EXPOSED EDGE IN RISK AREAS.
 - APPLICABLE SPECIFICATIONS: PRODUCT SPECIFICATION NUMBERS: TWIN AX CABLE: PS-0284
 - ORDER BY APPLICABLE 3M PART NUMBER: 8KCE-0953-XXXX
XXXX = DIM 'A' IN MILLIMETERS (1000 = 1 METER)
150 MM MINIMUM LENGTH.
 - FLAMMABILITY RATING: TWINAX/AUX RIBBONS: HORIZONTAL PCBs: UL94V-0
 - PADDLECARD FINGER GOLD THICKNESS: 0.76 μm [30 μ"] MIN ELECTROLYTIC HARD GOLD OVER 1.27 μm [50 μ"] MIN ELECTROLYTIC NICKEL.

3M ELECTRONICS MATERIALS SOLUTIONS DIVISION
INTERCONNECT SOLUTIONS
<http://www.3m.com/TwinAx>

3M IS A TRADEMARK OF 3M COMPANY.
FOR TECHNICAL, SALES OR ORDERING
INFORMATION CALL 800-225-5373

DESIGN REFERENCE	NEXT ASSEMBLY	REV	ECO	ISSUE DATE AND DESCRIPTION	DRFT	CHKD
DIVISION		DIVISION CODE		DATE		
DO NOT SCALE DRAWING		SCALE		TOLERANCES EXCEPT AS NOTED		
THIRD ANGLE PROJECTION		INCHES		MILLIMETERS		
INTERPRET PER ASME Y14.5 - 2018		0 ± .1		0 ± .1		
MAX SURFACE ROUGHNESS		.00 ± .05		.00 ± .05		
MARKED ONLY		.000 ± .005		.000 ± .005		
ANGLES ± 1°						

REV	ECO	ISSUE DATE AND DESCRIPTION	DRFT	CHKD
C	0116790	JUN 18, 2024 REVISED NOTES 2, 3, 5, 7	BJW	ML
B	0102671	FEB 14, 2022 ITEM 1.2 REMOVED P/Ns	LDS	MML
A	0100323	OCT 07, 2021 WORK REQUEST 13075 INITIAL RELEASE	LDS	MML

DESIGNER	CHECKED	DATE	DATE
L. SCHMIDT	M. LETTANG	MAR 28, 2021	JUN 18, 2021

TITLE	CAGE NUMBER	SIZE	DRAWING NO.	REV.
8KCE-0953-XXXX, CABLE ASSY, PCIe X16 BY PCIe X16 EXTENDER	D	78-5100-2721-8	C	

78-5100-2721-8
DRAWING NUMBER

A

SHT 1 OF 3

3M™ PCIe GEN 4 X16 EXTENDER TWIN AXIAL CABLE ASSEMBLY

PCIe X16 Extender/Jumper Assembly Pin-Out Side-B

Pin #	Side B Description	Name	Pin #
B01	+12 volt power	+12v	B01
B02	+12 volt power	+12v	B02
B03	Reserved	RSVD	B03
B04	Ground	GND	B04
B05	SMBus clock	SMCLK	B05
B06	SMBus data	SMDAT	B06
B07	Ground	GND	B07
B08	+3.3 volt power	+3.3v	B08
B09	+TRST#	JTAG1	B09
B10	3.3v volt power	3.3Vaux	B10
B11	Link Reactivation	WAKE#	B11

Mechanical Key

B12	Clock Request Signal	CLKREQ#	B12
B13	Ground	GND	B13
B14	Transmitter Lane 0,	HSOp(0)	B14
B15	Differential pair	HSON(0)	B15
B16	Ground	GND	B16
B17	Hotplug detect	PRSN#2	B17
B18	Ground	GND	B18
B19	Transmitter Lane 1,	HSOp(1)	B19
B20	Differential pair	HSON(1)	B20
B21	Ground	GND	B21
B22	Ground	GND	B22
B23	Transmitter Lane 2,	HSOp(2)	B23
B24	Differential pair	HSON(2)	B24
B25	Ground	GND	B25
B26	Ground	GND	B26
B27	Transmitter Lane 3,	HSOp(3)	B27
B28	Differential pair	HSON(3)	B28
B29	Ground	GND	B29
B30	Emergency Pwr Reduct	PWRBRK#	B30
B31	Hot plug detect	PRSN#2	B31
B32	Ground	GND	B32
B33	Transmitter Lane 4,	HSOp(4)	B33
B34	Differential pair	HSON(4)	B34
B35	Ground	GND	B35
B36	Ground	GND	B36
B37	Transmitter Lane 5,	HSOp(5)	B37
B38	Differential pair	HSON(5)	B38
B39	Ground	GND	B39
B40	Ground	GND	B40
B41	Transmitter Lane 6,	HSOp(6)	B41
B42	Differential pair	HSON(6)	B42
B43	Ground	GND	B43
B44	Ground	GND	B44
B45	Transmitter Lane 7,	HSOp(7)	B45
B46	Differential pair	HSON(7)	B46
B47	Ground	GND	B47
B48	Hot plug detect	PRSN#2	B48
B49	Ground	GND	B49
B50	Transmitter Lane 8,	HSOp(8)	B50
B51	Differential pair	HSON(8)	B51
B52	Ground	GND	B52
B53	Ground	GND	B53
B54	Transmitter Lane 9,	HSOp(9)	B54
B55	Differential pair	HSON(9)	B55
B56	Ground	GND	B56
B57	Ground	GND	B57
B58	Transmitter Lane 10,	HSOp(10)	B58
B59	Differential pair	HSON(10)	B59
B60	Ground	GND	B60
B61	Ground	GND	B61
B62	Transmitter Lane 11,	HSOp(11)	B62
B63	Differential pair	HSON(11)	B63
B64	Ground	GND	B64
B65	Ground	GND	B65
B66	Transmitter Lane 12,	HSOp(12)	B66
B67	Differential pair	HSON(12)	B67
B68	Ground	GND	B68
B69	Ground	GND	B69
B70	Transmitter Lane 13,	HSOp(13)	B70
B71	Differential pair	HSON(13)	B71
B72	Ground	GND	B72
B73	Ground	GND	B73
B74	Transmitter Lane 14,	HSOp(14)	B74
B75	Differential pair	HSON(14)	B75
B76	Ground	GND	B76
B77	Ground	GND	B77
B78	Transmitter Lane 15,	HSOp(15)	B78
B79	Differential pair	HSON(15)	B79
B80	Ground	GND	B80
B81	Hot plug present detect	PRSN#2	B81
B82	Hot Plug Detect	RSVD#2	B82

PCIe X16 Extender/Jumper Assembly Pin-Out Side-A

Pin #	Side A Description	Name	Pin #
A01	Hot plug presence detect	PRSN#1	A01
A02	+12 volt power	+12v	A02
A03	+12 volt power	+12v	A03
A04	Ground	GND	A04
A05	TCK	JTAG2	A05
A06	TDI	JTAG3	A06
A07	TDO	JTAG4	A07
A08	TMS	JTAG5	A08
A09	+3.3 volt power	+3.3v	A09
A10	+3.3 volt power	+3.3v	A10
A11	Power Good	PWRGD	A11

Mechanical Key

A12	Ground	GND	A12
A13	Reference Clock	REFCLK+	A13
A14	Differential pair	REFCLK-	A14
A15	Ground	GND	A15
A16	Receiver Lane 0,	HSIp(0)	A16
A17	Differential pair	HSIn(0)	A17
A18	Ground	GND	A18
A19	Reserved	RSVD	A19
A20	Ground	GND	A20
A21	Receiver Lane 1,	HSIp(1)	A21
A22	Differential pair	HSIn(1)	A22
A23	Ground	GND	A23
A24	Ground	GND	A24
A25	Receiver Lane 2,	HSIp(2)	A25
A26	Differential pair	HSIn(2)	A26
A27	Ground	GND	A27
A28	Ground	GND	A28
A29	Receiver Lane 3,	HSIp(3)	A29
A30	Differential pair	HSIn(3)	A30
A31	Ground	GND	A31
A32	Reserved	RSVD	A32
A33	Reserved	RSVD	A33
A34	Ground	GND	A34
A35	Receiver Lane 4,	HSIp(4)	A35
A36	Differential pair	HSIn(4)	A36
A37	Ground	GND	A37
A38	Ground	GND	A38
A39	Receiver Lane 5,	HSIp(5)	A39
A40	Differential pair	HSIn(5)	A40
A41	Ground	GND	A41
A42	Ground	GND	A42
A43	Receiver Lane 6,	HSIp(6)	A43
A44	Differential pair	HSIn(6)	A44
A45	Ground	GND	A45
A46	Ground	GND	A46
A47	Receiver Lane 7,	HSIp(7)	A47
A48	Differential pair	HSIn(7)	A48
A49	Ground	GND	A49
A50	Reserved	RSVD	A50
A51	Ground	GND	A51
A52	Receiver Lane 8,	HSIp(8)	A52
A53	Differential pair	HSIn(8)	A53
A54	Ground	GND	A54
A55	Ground	GND	A55
A56	Receiver Lane 9,	HSIp(9)	A56
A57	Differential pair	HSIn(9)	A57
A58	Ground	GND	A58
A59	Ground	GND	A59
A60	Receiver Lane 10,	HSIp(10)	A60
A61	Differential pair	HSIn(10)	A61
A62	Ground	GND	A62
A63	Ground	GND	A63
A64	Receiver Lane 11,	HSIp(11)	A64
A65	Differential pair	HSIn(11)	A65
A66	Ground	GND	A66
A67	Ground	GND	A67
A68	Receiver Lane 12,	HSIp(12)	A68
A69	Differential pair	HSIn(12)	A69
A70	Ground	GND	A70
A71	Ground	GND	A71
A72	Receiver Lane 13,	HSIp(13)	A72
A73	Differential pair	HSIn(13)	A73
A74	Ground	GND	A74
A75	Ground	GND	A75
A76	Receiver Lane 14,	HSIp(14)	A76
A77	Differential pair	HSIn(14)	A77
A78	Ground	GND	A78
A79	Ground	GND	A79
A80	Receiver Lane 15,	HSIp(15)	A80
A81	Differential pair	HSIn(15)	A81
A82	Ground	GND	A82

THIS IS A FEED THROUGH ASSEMBLY.
THE PIN ASSIGNMENTS REMAIN THE SAME ON BOTH ENDS

3M 3749-20 Cable

Pin Attachment #	Wire #
Ground Layer	01
A01 Single Ended	02
Ground Layer	03
A02 - A03	04
A02 - A03	05
A02 - A03	06
A02 - A03	07
Ground Layer	08
A05 Single Ended	09
A06 Single Ended	10
A07 Single Ended	11
A08 Single Ended	12
Ground Layer	13
A09 - A10	14
A09 - A10	15
A09 - A10	16
A09 - A10	17
Ground Layer	18
Ground Layer	19
A11 Single Ended	20


3M SL8802 Cable

Pin Attachment #	Wire #
Ground Layer	drain
A13 Single Ended	pr_01
A14 Single Ended	pr_01
A16 Differential Pr	pr_02
A17 Differential Pr	pr_02
Ground Layer	pr_03
A19 Single Ended	pr_03
A21 Differential Pr	pr_04
A22 Differential Pr	pr_04
Ground Layer	drain
A25 Differential Pr	pr_05
A26 Differential Pr	pr_05
A29 Differential Pr	pr_06
A30 Differential Pr	pr_06
A32 Single Ended	pr_07
A33 Single Ended	pr_07
Ground Layer	drain
A35 Differential Pr	pr_08
A36 Differential Pr	pr_08
A39 Differential Pr	pr_09
A40 Differential Pr	pr_09
A43 Differential Pr	pr_10
A44 Differential Pr	pr_10
A47 Differential Pr	pr_11
A48 Differential Pr	pr_11
Ground Layer	drain

3M SL8802 Cable

Pin Attachment #	Wire #
Ground Layer	drain
A33 Single Ended	pr_01
Ground Layer	pr_01
A52 Differential Pr	pr_02
A53 Differential Pr	pr_02
Ground Layer	pr_03
A56 Differential Pr	pr_04
A57 Differential Pr	pr_04
Ground Layer	drain
A60 Differential Pr	pr_05
A61 Differential Pr	pr_05
A64 Differential Pr	pr_06
A65 Differential Pr	pr_06
A68 Differential Pr	pr_07
A69 Differential Pr	pr_07
Ground Layer	drain
A72 Differential Pr	pr_08
A73 Differential Pr	pr_08
A76 Differential Pr	pr_09
A77 Differential Pr	pr_09
Ground Layer	pr_10
Ground Layer	pr_10
A80 Differential Pr	pr_11
A81 Differential Pr	pr_11
Ground Layer	drain

C 0116790	JUN 18, 2024	BJW	ML
B 0102671	FEB 14, 2022 REVISED NOTES 2, 3, 5, 7	LDS	MML
A 0100323	OCT 07, 2021 ITEM 1.2 REMOVED P/NS WORK REQUEST 13075 INITIAL RELEASE	LDS	MML

DESIGN REFERENCE	NEXT ASSEMBLY	REV	ECO	ISSUE DATE AND DESCRIPTION	DRFT	CHKD
XXXX		L	SCHMIDT	DATE: MAR 28, 2021	MFG	DATE
DIVISION	DIVISION CODE	CHKD	M LETTANG	DATE: JUN 18, 2021	APPL	DATE
DO NOT SCALE DRAWING	SCALE 1:1	TOLERANCES EXCEPT AS NOTED	 © 3M COMPANY. ALL RIGHTS RESERVED. This document and the information it contains are 3M property and may not be reproduced or further distributed without 3M permission, or used or disclosed other than for 3M authorized purposes.			
THIRD ANGLE PROJECTION	INTERPRET PER ASME Y14.5 - 2018	TOLERANCES PER INCHES .00 ± .000 ± Ø.000 ±	TITLE 8KCE-0953-XXXX, CABLE ASSY, PCIe X16 BY PCIe X16 EXTENDER			
MAX SURFACE ROUGHNESS	ALL SURFACES MARKED ONLY	MILLIMETERS PER 0 ±.1 .00 ±.5 .00 ±.05 .000 ±.005	CAGE NUMBER DRAWING NO. D 78-5100-2721-8			
ANGLES ±1°			MODEL	REV. DET: <input type="checkbox"/> YES <input type="checkbox"/> NO SHT 2 OF 3		

3M ELECTRONICS MATERIALS SOLUTIONS DIVISION
INTERCONNECT SOLUTIONS
<http://www.3m.com/TwinAx>

3M IS A TRADEMARK OF 3M COMPANY.
FOR TECHNICAL, SALES OR ORDERING
INFORMATION CALL 800-225-5373

3M™ PCIe GEN 4 X16 EXTENDER TWIN AXIAL CABLE ASSEMBLY

Regulatory: For regulatory information about this product, visit 3M.com/regs or contact your 3M representative.

Technical Information: The technical information, recommendations and other statements contained in this document are based upon tests or experience that 3M believes are reliable, but the accuracy or completeness of such information is not guaranteed.

Product Use: Many factors beyond 3M's control and uniquely within user's control can affect the use and performance of a 3M product in a particular application. Given the variety of factors that can affect the use and performance of a 3M product, user is solely responsible for evaluating the 3M product and determining whether it is fit for a particular purpose and suitable for user's method of application.


Warranty, Limited Remedy, and Disclaimer: Unless an additional warranty is specifically stated on the applicable 3M product packaging or product literature, 3M warrants that each 3M product meets the applicable 3M product specification at the time 3M ships the product. 3M MAKES NO OTHER WARRANTIES OR CONDITIONS, EXPRESS OR IMPLIED, INCLUDING, BUT NOT LIMITED TO, ANY IMPLIED WARRANTY OR CONDITION OF MERCHANTABILITY OR FITNESS FOR A PARTICULAR PURPOSE OR ANY IMPLIED WARRANTY OR CONDITION ARISING OUT OF A COURSE OF DEALING, CUSTOM OR USAGE OR TRADE. If the 3M product does not conform to this warranty, then the sole and exclusive remedy is, at 3M's option, replacement of the 3M product or refund of the purchase price.

Limitation of Liability: Except where prohibited by law, 3M will not be liable for any loss or damage arising from the 3M product, whether direct, indirect, special, incidental or consequential, regardless of the legal theory asserted, including warranty, contract, negligence or strict liability.

3M Company
 Electronics Materials Solutions Division
 13011 McCallen Pass, Bldg. C
 Austin, TX 78753-5380
 1-800-225-5373
 www.3m.com/TwinAx

3M ELECTRONICS MATERIALS SOLUTIONS DIVISION
 INTERCONNECT SOLUTIONS
<http://www.3m.com/TwinAx>

3M IS A TRADEMARK OF 3M COMPANY.
 FOR TECHNICAL, SALES OR ORDERING
 INFORMATION CALL 800-225-5373

DESIGN REFERENCE	NEXT ASSEMBLY	REV	ECO	ISSUE DATE AND DESCRIPTION	DRFT	CHKD
DRFT	DATE	DRFT	DATE	DATE	DATE	DATE
L SCHMIDT	MAR 28, 2021	MFG				
CHKD	DATE	APPL	DATE			
M LETTANG	JUN 18, 2021					
DIVISION	DIVISION CODE	© 3M COPYRIGHT 2024 This document and the information it contains are 3M property and may not be reproduced or further distributed without 3M permission, or used or disclosed other than for 3M authorized purposes. All rights reserved.				
DO NOT SCALE DRAWING	SCALE 1	TOLERANCES EXCEPT AS NOTED		 3M Center St. Paul, MN 55144		
THIRD ANGLE PROJECTION		INCHES		TITLE		
		.00 ±		8KCE-0953-XXXX, CABLE		
		.000 ±		ASSY, PCIe X16 BY		
		.0000 ±		PCIe X16 EXTENDER		
INTERPRET PER ASME Y14.5 - 2018		MILLIMETERS		CAGE NUMBER	SIZE	DRAWING NO.
		0 ± 1		D	78-5100-2721-8	C
MAX SURFACE ROUGHNESS		.00 ± .05		MODEL	DET	REV.
MARKED SURFACES		.000 ± .005				
MARKED ONLY		ANGLES ± 1°				

78-5100-2721-8
DRAWING NUMBER

A

SHT 3 OF 3