

Order Code	L (mm)	Thread Size	SW
970060155	6	M2.5	SW 5
970070155	7	M2.5	SW 5
970080155	8	M2.5	SW 5
970090155	9	M2.5	SW 5
970100155	10	M2.5	SW 5
970110155	11	M2.5	SW 5
970120155	12	M2.5	SW 5
970130155	13	M2.5	SW 5
970140155	14	M2.5	SW 5
970150155	15	M2.5	SW 5
970160155	16	M2.5	SW 5
970170155	17	M2.5	SW 5
970180155	18	M2.5	SW 5
970190155	19	M2.5	SW 5
970200155	20	M2.5	SW 5
970050365	5	M3.0	SW 6
970060365	6	M3.0	SW 6
970070365	7	M3.0	SW 6
970080365	8	M3.0	SW 6
970090365	9	M3.0	SW 6
970100365	10	M3.0	SW 6
970110365	11	M3.0	SW 6
970120365	12	M3.0	SW 6
970130365	13	M3.0	SW 6
970140365	14	M3.0	SW 6
970150365	15	M3.0	SW 6
970160365	16	M3.0	SW 6
970170365	17	M3.0	SW 6
970180365	18	M3.0	SW 6
970190365	19	M3.0	SW 6
970200365	20	M3.0	SW 6
970060485	6	M4.0	SW 8
970070485	7	M4.0	SW 8
970080485	8	M4.0	SW 8
970090485	9	M4.0	SW 8
970100485	10	M4.0	SW 8
970110485	11	M4.0	SW 8
970120485	12	M4.0	SW 8
970130485	13	M4.0	SW 8
970140485	14	M4.0	SW 8
970150485	15	M4.0	SW 8
970160485	16	M4.0	SW 8
970170485	17	M4.0	SW 8
970180485	18	M4.0	SW 8
970190485	19	M4.0	SW 8
970200485	20	M4.0	SW 8

Flammability according to: UL94-HB

Würth Elektronik eiSos GmbH & Co. KG
EMC & Inductive Solutions

Max-Eyth-Str. 1
74638 Waldenburg
Germany
Tel. +49 79 42 945 - 0

www.we-online.com
eiSos@we-online.com



CREATED
D. Fandrey

CHECKED
S. Klingler

PROJECTION METHOD SCALE 3 : 1

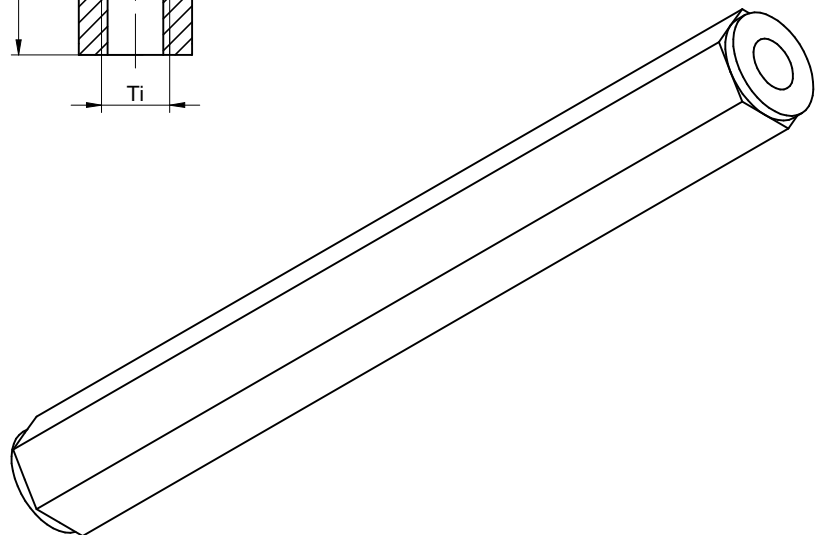
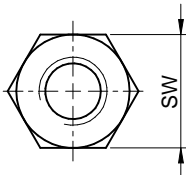
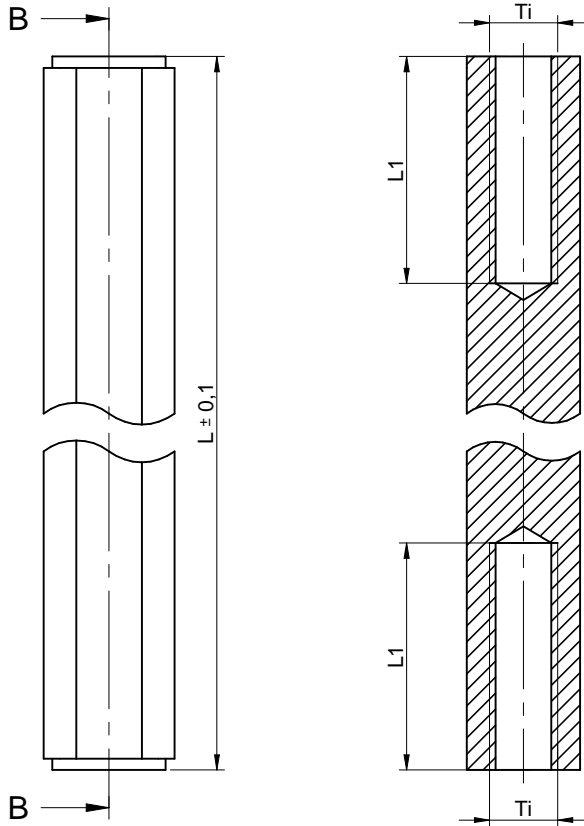
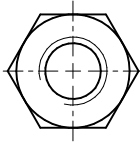
DESCRIPTION
**AsSPall
Plastic Spacer Stud
Metric Thread int./int.**

MATERIAL PA6-GV - black
GENERAL TOLERANCE DIN ISO 2768 T1m
ORDER CODE 970xxxxxx

WEIGHT STATUS Released

REV DATE 1.0 2015-01-22

PAGE DE 1 / 1



Order Code	L (mm)	L ₁ (mm)	Thread Size	SW
970230155	23	10,0	M2.5	SW 5
970250155	25	10,0	M2.5	SW 5
970300155	30	10,0	M2.5	SW 5
970450155	45	10,0	M2.5	SW 5
970210365	21	10,0	M3.0	SW 6
970220365	22	10,0	M3.0	SW 6
970230365	23	10,0	M3.0	SW 6
970250365	25	10,0	M3.0	SW 6
970270365	27	10,0	M3.0	SW 6
970280365	28	10,0	M3.0	SW 6
970300365	30	10,0	M3.0	SW 6
970320365	32	10,0	M3.0	SW 6
970350365	35	10,0	M3.0	SW 6
970400365	40	10,0	M3.0	SW 6
970450365	45	10,0	M3.0	SW 6
970500365	50	10,0	M3.0	SW 6
970250485	25	10,0	M4.0	SW 8
970300485	30	10,0	M4.0	SW 8
970350485	35	10,0	M4.0	SW 8
970400485	40	10,0	M4.0	SW 8
970450485	45	10,0	M4.0	SW 8
970500485	50	10,0	M4.0	SW 8
970550485	55	10,0	M4.0	SW 8

Flammability according to: UL94-HB

Würth Elektronik eiSos GmbH & Co. KG
EMC & Inductive Solutions

Max-Eyth-Str. 1
74638 Waldenburg
Germany
Tel. +49 79 42 945 - 0

www.we-online.com
eiSos@we-online.com



CREATED
D. Fandrey

DESCRIPTION
**AsSPall
Plastic Spacer Stud
Metric Thread int./int.**

WEIGHT STATUS
Released

CHECKED
S. Klingler

PROJECTION METHOD 

SCALE
3 : 1

MATERIAL
PA6-GV - black

GENERAL TOLERANCE
DIN ISO 2768 T1m

ORDER CODE
970xxxxx

REV DATE
1.0 2015-01-22

PAGE
DE 1 / 1